

Introduction

N09200100976

Thank you for buying a MITSUBISHI OUTLANDER. We are confident you will enjoy your vehicle. It has been engineered for optimum performance, durability and comfort. By thoroughly reading this Owner's Manual, you will gain an understanding of the many features that are included in the OUTLANDER. The Owner's Manual contains descriptions and illustrations that will assist in the operation and maintenance of your vehicle.

Your Authorized Mitsubishi Motors Dealer will be happy to assist you with any further questions you may have regarding the operation of your vehicle.

Please note that this manual applies to all OUTLANDER models and explains all features including options. Some features explained in this manual may not be installed on your vehicle.

Please leave this Owner's Manual in the vehicle at the time of resale. The next owner will appreciate having access to the information contained here.

This manual includes instructions for standard and optional equipment available at the time of printing. Mitsubishi Motors Corporation reserves the right to make changes in design and specifications and to make additions or improvements in its product without assuming any obligation to install these on previously manufactured products.



Throughout this manual the words **WARNING** and **CAUTION** appear.

These are reminders to be especially careful. Failure to follow the instructions could result in personal injury or damage to your vehicle.

WARNING

Indicates a strong possibility of severe personal injury or death if instructions are not followed.

CAUTION

Points out hazards or unsafe practices that could cause minor personal injury or damage to your vehicle.

You will see another important symbol:

NOTE Gives helpful information.

As with other vehicles of this type, failure to operate this vehicle correctly may result in loss of control or an accident. Be sure to read "on-pavement" and "off-road" driving guidelines in the "Driving safety" and "Features and controls" sections.

WARNING

- Engine exhaust, some of its constituents, and certain vehicle components contain or emit chemicals known to the State of California to cause cancer and birth defects and reproductive harm. In addition, certain fluids contained in vehicles and certain products of component wear contain or emit chemicals known to the State of California to cause cancer and birth defects or other reproductive harm.

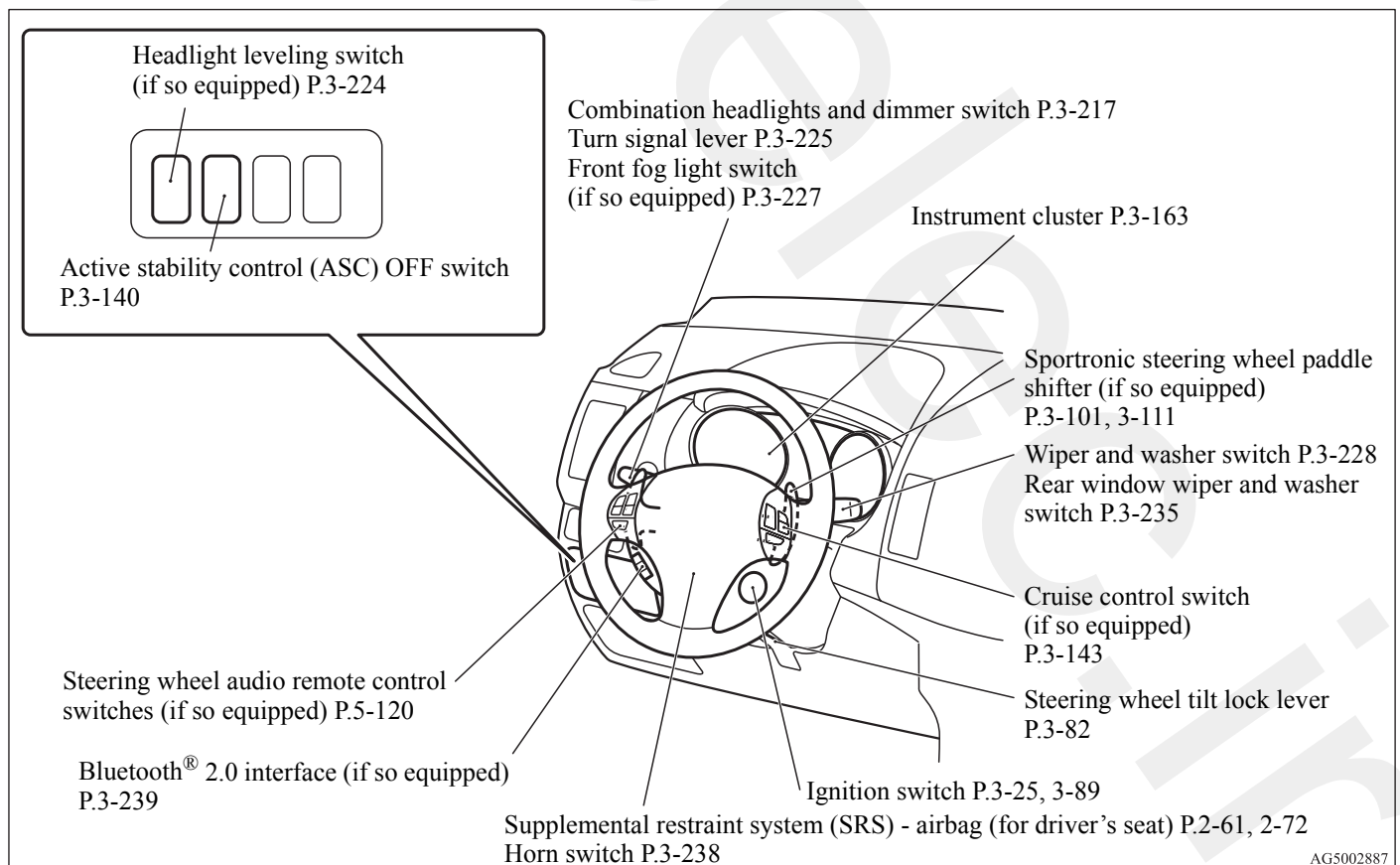
Table of contents

<i>Overview</i>	
<i>Quick index</i>	
<i>General information</i>	1
<i>Seat and restraint systems</i>	2
<i>Features and controls</i>	3
<i>Driving safety</i>	4
<i>Comfort controls</i>	5
<i>For emergencies</i>	6
<i>Vehicle care and maintenance</i>	7
<i>Customer assistance/Reporting Safety Defects</i>	8
<i>Specifications</i>	9

Overview

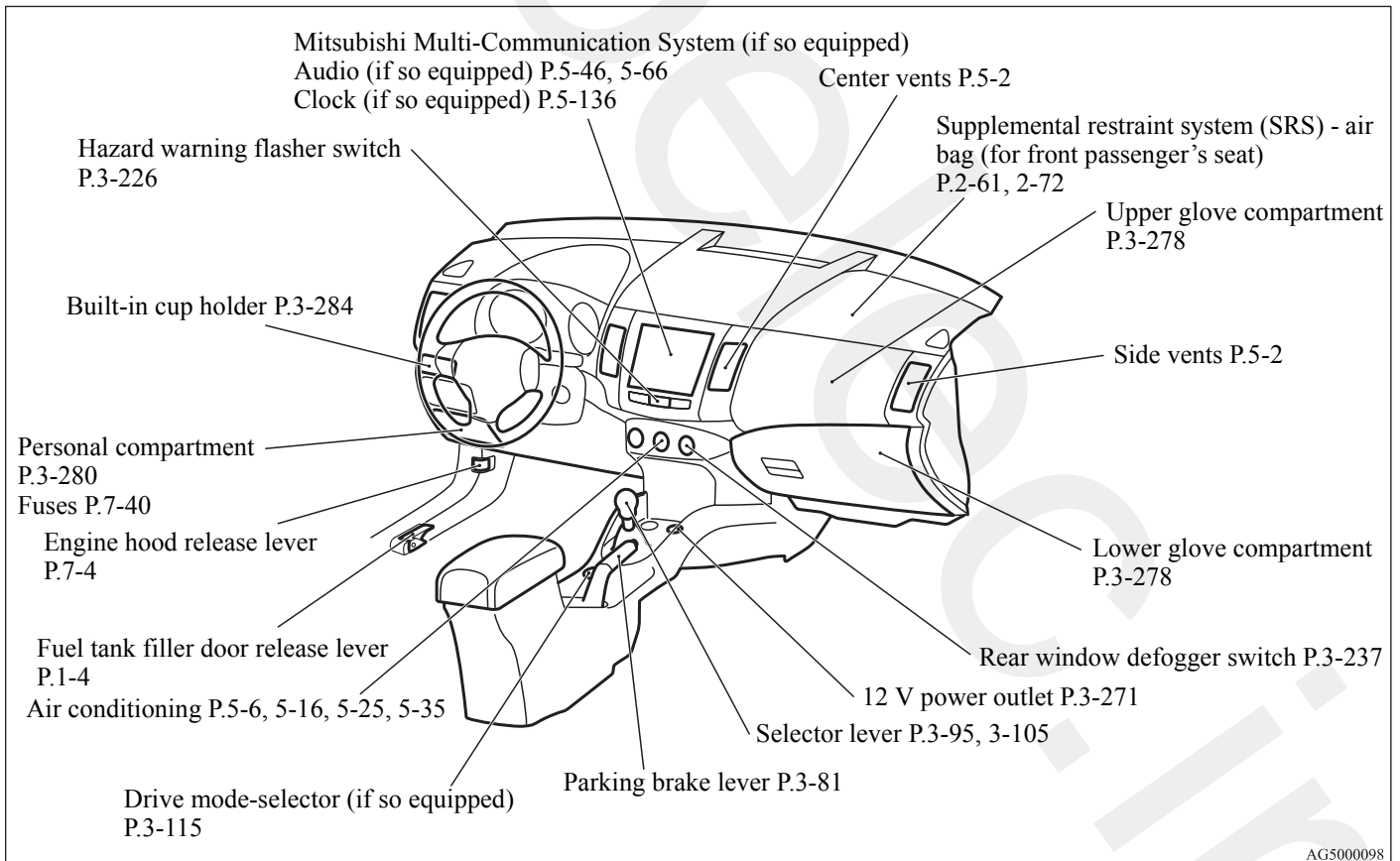
Instruments and controls

N00100201374



AG5002887

Overview

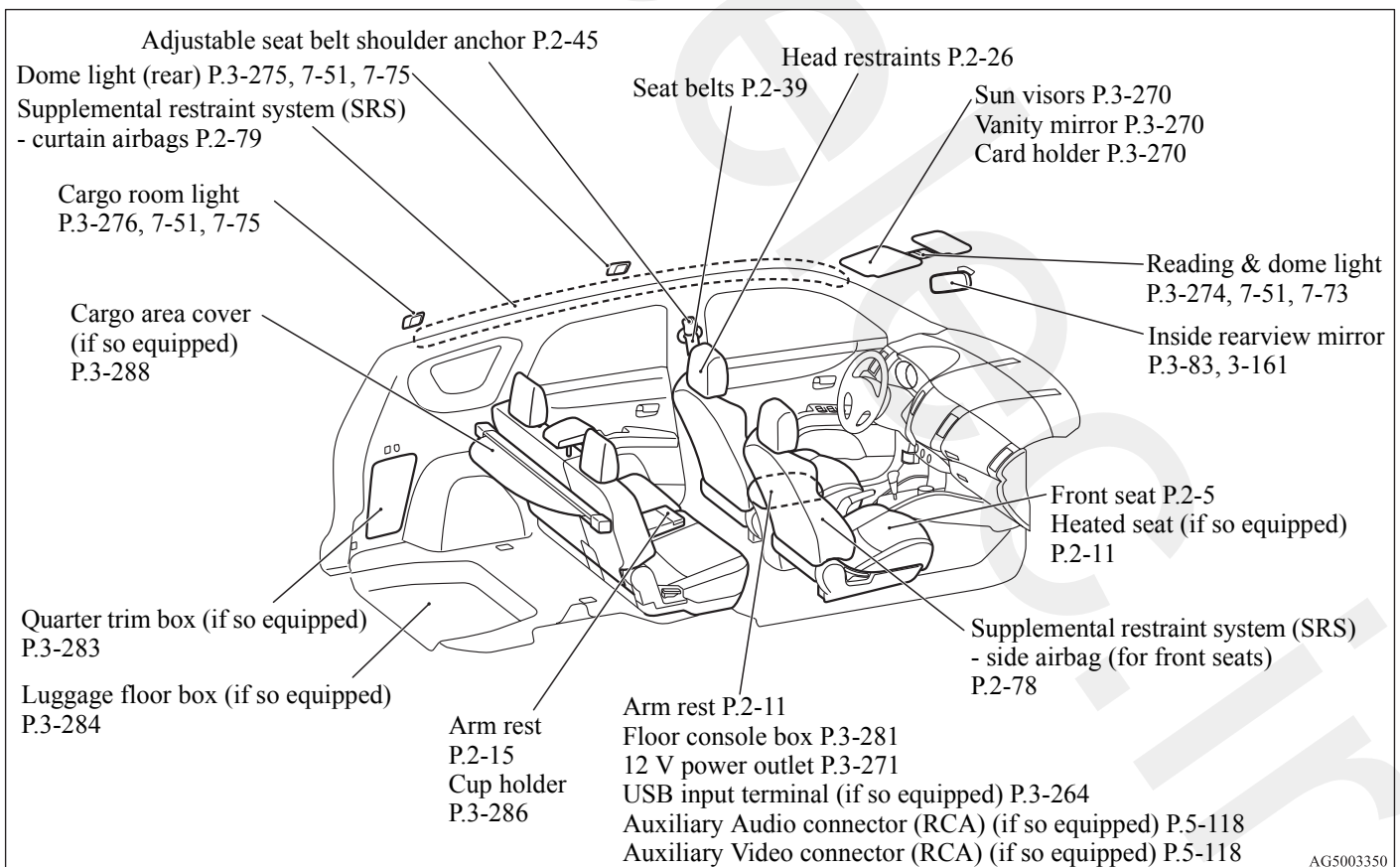


AG500098

Overview

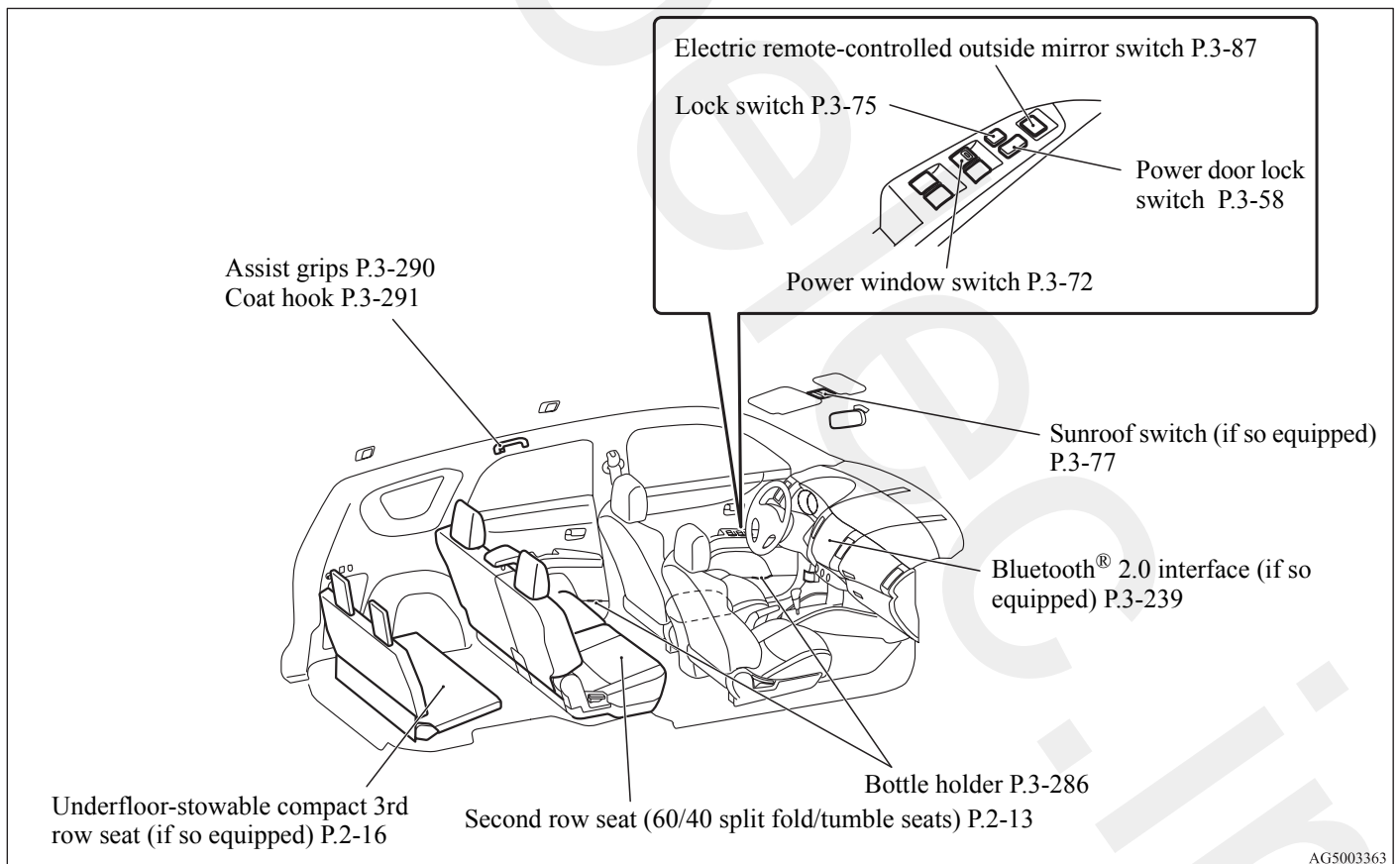
Interior

N00100301160



AG5003350

Overview

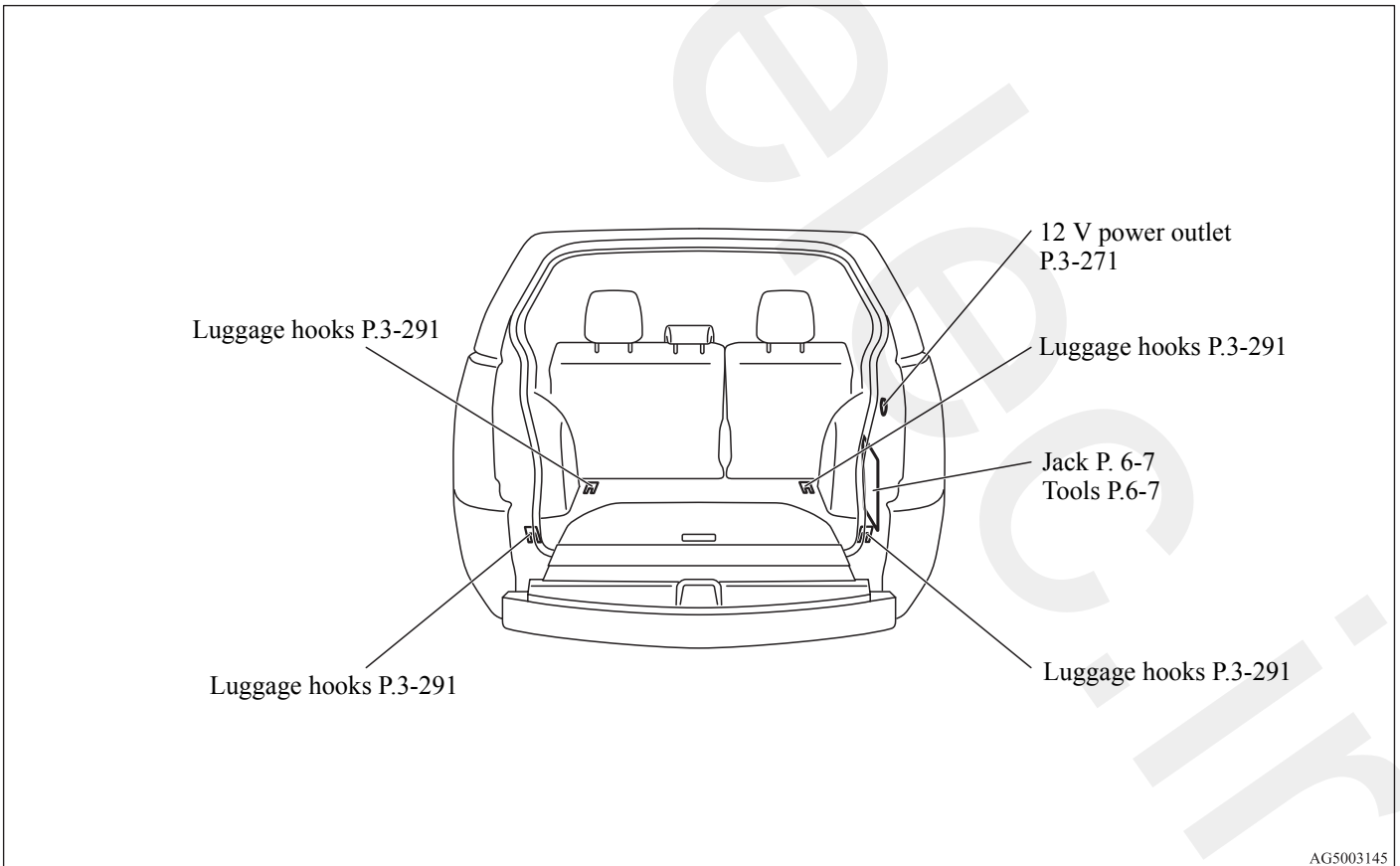


AG5003363

Overview

Luggage area

N00100500439

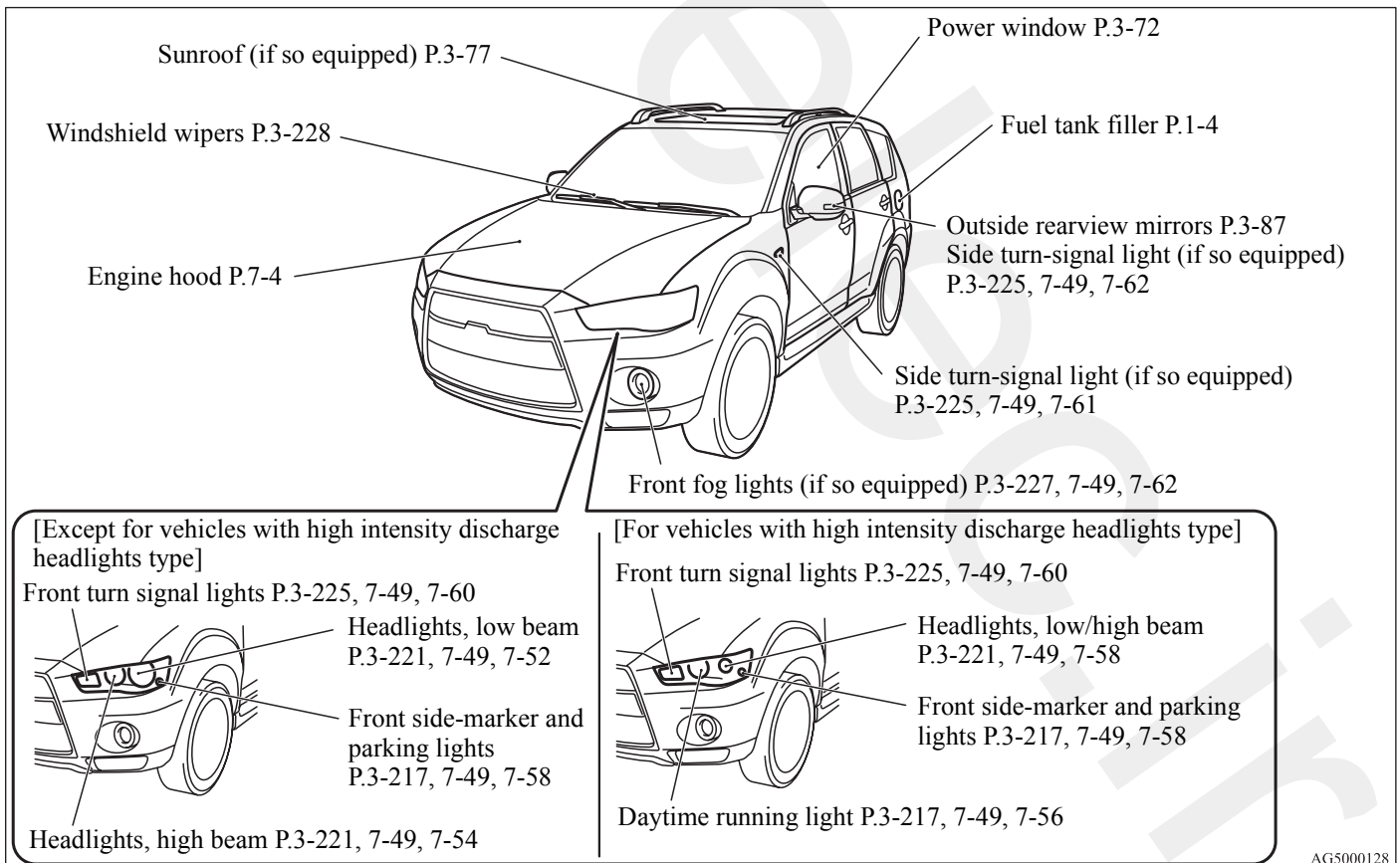


AG5003145

Overview

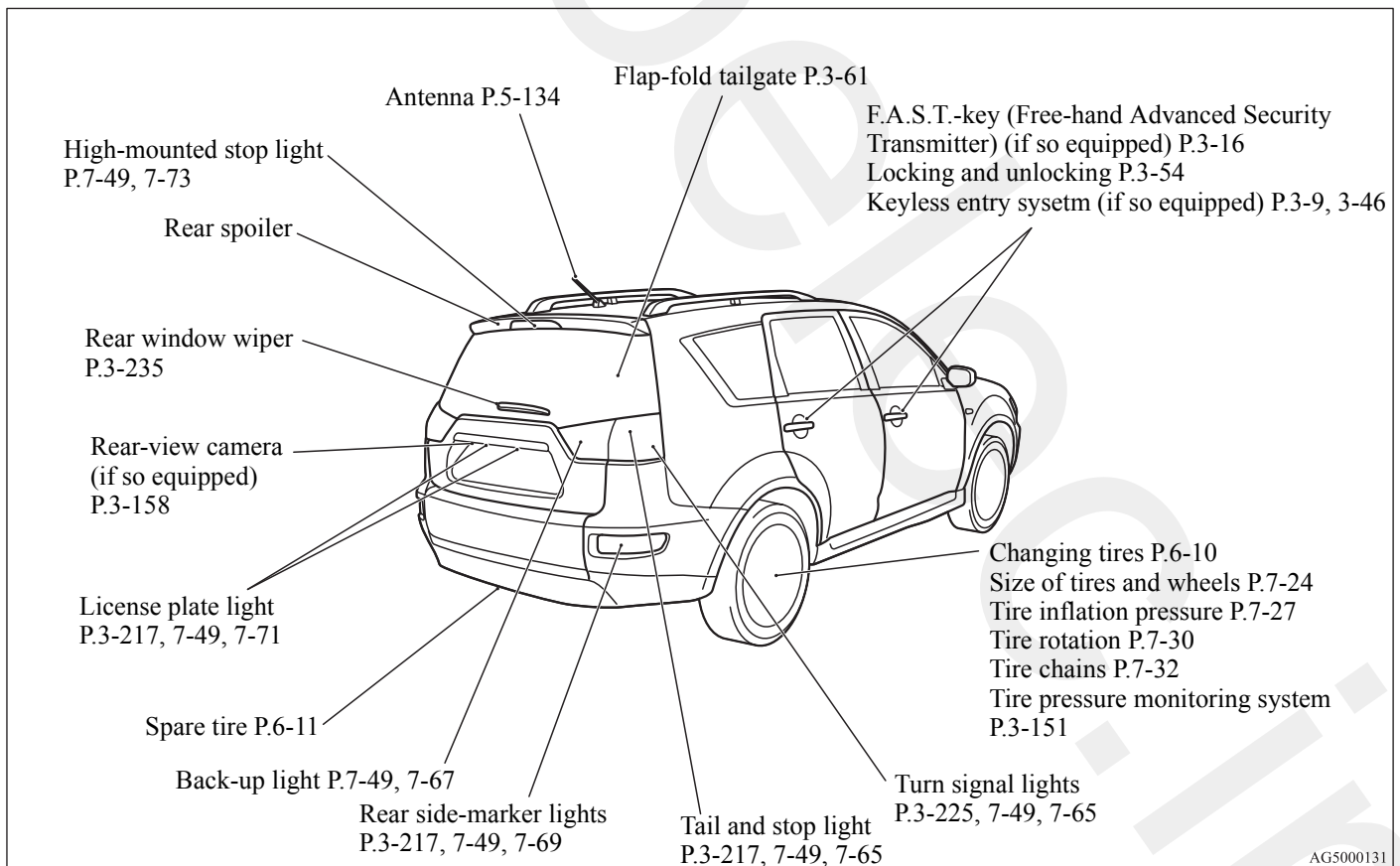
N00100601264

Outside



AG5000128

Overview






AG5000131

If this warning light comes on or flashes while you're driving...




N00200701064

NOTE

- For information regarding warning displays in the multi-information display, refer to “Multi-information display” on page 3-166.
- These warning lights will come on for a few seconds for a bulb check when the ignition switch is first turned to “ON”.

Warning lights	Do this	Ref. Page
 Charging system warning light	<ul style="list-style-type: none"> ● Park your vehicle in a safe place and stop the engine. Contact your Mitsubishi Motors dealer or a repair facility of your choice for assistance. 	P. 3-213
BRAKE or  Brake warning light	<ul style="list-style-type: none"> ● If this light comes on while driving, check to see that the parking brake is fully released. ● If this light stays on after releasing the parking brake, immediately stop and check the brake fluid level. ● If the brake fluid level is correct, there may be a system malfunction. Avoid hard braking and high speed, and contact an authorized Mitsubishi Motors dealer or a repair facility of your choice for assistance. 	P. 3-211
SERVICE ENGINE SOON or  Engine malfunction indicator (“SERVICE ENGINE SOON” or “Check engine light”)	<ul style="list-style-type: none"> ● Although your vehicle will usually be drivable and not need towing, have the engine system checked at an authorized Mitsubishi Motors dealer or a repair facility of your choice as soon as possible. If the vehicle is not drivable, contact emergency roadside assistance at 1-888-648-7820 (for vehicles sold in U.S.A.) or 1-888-576-4878 (for vehicles sold in Canada), an authorized Mitsubishi Motors dealer, or local towing company for assistance. 	P. 3-212

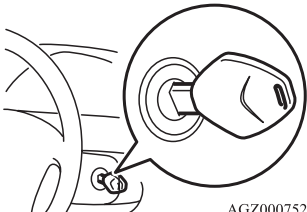
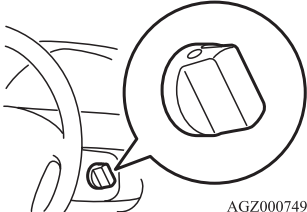
Quick index

Warning lights	Do this	Ref. Page
 <p>Anti-lock braking system warning light</p>	<ul style="list-style-type: none"> ● When this light comes on, the anti-lock braking system is not functioning and only the ordinary braking system is functioning. ● Park your vehicle in a safe place and stop the engine. Test the system as described on page 3-135. ● If the light does not go out after the test, or if it comes on again, we recommend that you have the system checked at an authorized Mitsubishi Motors dealer or a repair facility of your choice as soon as possible. 	P. 3-135
 <p>SRS warning light</p>	<ul style="list-style-type: none"> ● It is not necessary to stop the vehicle immediately, but we recommend that you have the airbag and the pre-tensioner seat belt system checked at an authorized Mitsubishi Motors dealer as soon as possible. 	P. 2-71
 <p>Tire pressure monitoring system warning light</p>	<ul style="list-style-type: none"> ● If the warning light comes on, you should stop and adjust the tires to the proper inflation pressure as soon as possible. (See "Tire inflation pressures" on page 7-27.) Once adjustments have been made, the warning light will go off after a few minutes of driving. ● If the warning light blinks for approximately 1 minute and then remains continuously illuminated, the system is not operating properly. If the system returns to normal, the warning light will go off. If the warning light does not go off, have the vehicle inspected at an authorized Mitsubishi Motors dealer. 	P. 3-151


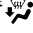
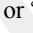
Quick index

If this problem occurs...



N00200900753

Problem	Do this	Ref. Page
<p>Cannot turn the key. (When using a key to start the engine)</p>  <p>AGZ000752</p>	<p>When using a key to start the engine Will not turn from “LOCK” to “ACC”. Turn the key while turning the steering wheel in either direction.</p> <p>Will not turn from “ACC” to “LOCK”. Check the position of the selector lever. The key cannot be removed unless the selector lever is set to the “P” (PARK) position.</p>	<p>P. 3-89</p> <p>P. 3-90</p>
<p>(When using the F.A.S.T.-key to start the engine)</p>  <p>AGZ000749</p>	<p>When using the F.A.S.T.-key to start the engine Will not turn from “LOCK (PUSH OFF)” to “ACC”. Push the ignition switch again, turn the steering wheel in both directions and then turn the ignition switch.</p> <p>Will not turn from “ACC” to “LOCK”. Check whether the selector lever is set to the “P” (PARK) position.</p>	<p>P. 3-26</p> <p>P. 3-27</p>
<p>The F.A.S.T.-key does not operate. (for vehicles equipped with the F.A.S.T.-key)</p>	<p>Use the emergency key to lock and unlock the doors and the tailgate, and start the engine.</p>	<p>P.3-35</p>
<p>Cannot shift the selector lever from the “P” (PARK) position.</p>	<p>Shift the selector lever while pressing the brake pedal. Check that the ignition switch is in the “ON” position.</p>	<p>P. 3-95</p>

Quick index

Problem	Do this	Ref. Page
<p>The windows are fogged up.</p> 	<ol style="list-style-type: none"> 1. Set the mode selection dial to the “” or “” position. 2. Turn on the blower. 	<p>P. 5-14, 5-23, 5-33, 5-43</p>
<p>The engine does not start. The lights do not come on. The lights are dim. The horn does not honk. The horn sound is weak.</p>	<p>Have the battery checked. Recharge or replace as needed.</p>	<p>P. 6-2 P. 7-21</p>

Quick index

Problem	Do this	Ref. Page
<p>The engine coolant temperature display “ <p>Type 2</p>  </p>	<p>The engine is overheated. Carefully stop the vehicle in a safe place.</p>	<p>P. 6-5</p>


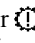
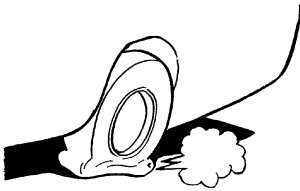
Quick index

Problem	Do this	Ref. Page
If your vehicle becomes stuck in sand, mud or snow	<ol style="list-style-type: none">1. Slowly press down on the accelerator pedal to get your vehicle moving again. For an all-wheel drive vehicle, set the drive mode-selector to the "4WD AUTO", "4WD LOCK", "SNOW" or "LOCK" position and then slowly press down on the accelerator pedal to get your vehicle moving.2. If there is nothing to stop your tires from slipping, move the selector lever back and forth between the "D" (DRIVE) position and "R" (REVERSE) position and rock your vehicle out of the stuck position.	P. 6-27

 WARNING

- When trying to rock your vehicle out of a stuck position, make sure that there are no people nearby. The rocking motion may cause the vehicle to suddenly lurch forward or backward, possibly injuring bystanders.
 - Avoid revving the engine or spinning the wheels. Prolonged efforts to free a stuck vehicle may result in overheating and transaxle failure.
- If your vehicle is still stuck after several rocking attempts, call for help.**

Quick index

Problem	Do this	Ref. Page
The brakes are not functioning properly after crossing a puddle or stream.	Dry out the brakes by driving slowly while lightly pressing the brake pedal.	P. 3-126 P. 4-8
The automatic transaxle makes no gear change when accelerating. The initial movement of the vehicle is slow when the vehicle starts moving. (for vehicles with Automatic transaxle)	There may be a problem in the automatic transaxle. Have the system inspected by your authorized Mitsubishi Motors dealer or a repair facility of your choice.	P. 3-103
The CVT makes no shift change when accelerating. The initial movement of the vehicle is slow when the vehicle starts moving. (for vehicles with CVT)	There may be a problem in the CVT. If the  or  warning lights on the multi-information display will not turn off, or if they come on frequently, please have the vehicle checked at your nearest Mitsubishi Motors dealer.	P. 3-99
A tire is punctured. 	<ol style="list-style-type: none"> 1. Park the vehicle in a safe place where the surface is flat and level. 2. Replace the flat tire with the spare tire. 	P. 6-10

Manualslib.com



.....
.....
.....
.....
.....
.....
.....
.....
.....
.....
.....
.....
.....
.....
.....
.....
.....
.....
.....
.....
.....
.....
.....
.....
.....
.....

General information

Fuel selection	1-	2
Filling the fuel tank	1-	4
Modifications to and racing of your vehicle	1-	6
Genuine Mitsubishi Motors parts	1-	8
California Perchlorate Materials Requirements	1-	9

General information**Fuel selection**

Your vehicle is designed to use unleaded gasoline only. It is equipped with a fuel tank filler pipe especially designed to accept only a small diameter unleaded gasoline dispensing nozzle.

N00301000853

⚠ WARNING

- Gasoline is highly flammable and explosive. You could be burned, seriously injured or killed when handling it. Whenever you refuel your vehicle, stop the engine and keep flames, sparks, and smoking materials away from the vehicle. Always handle fuel in well-ventilated outdoor areas.

⚠ CAUTION

- Using leaded gasoline in your vehicle will damage the engine, catalytic converter, and the oxygen sensors. Also, using leaded gasoline is illegal, and will void your warranty coverage of the engine, catalytic converter, and oxygen sensors.

Gasoline detergent additives

In the United States, fuel suppliers are required by law to add detergents to their gasoline to minimize fuel-injector fouling and minimize intake-valve deposits. Detergent gasoline helps keep your engine in tune and your emission-control system working properly.

Octane requirement**2.4 liter engine model**

Your vehicle is designed to operate on unleaded gasoline having a minimum octane number of 87 [(MON+RON)/2] or 91 RON.

3.0 liter engine model

Unleaded gasoline having an octane number of 87 [(MON+RON)/2] or 91 RON may be used, though it recommended your vehicle be operated on premium grade unleaded gasoline having a minimum octane number of 91 [(MON+RON)/2], or 95 RON.

To get maximum performance, premium gasoline is recommended.

Oxygenated gasoline

Gasoline sold at some service stations contains oxygenates such as ethanol, although the oxygenates may not be identified by those names. Oxygenates are required in some areas of the country. Such fuel can be used in your vehicle.

Ethanol (Gasohol)

A mixture of up to 10 % ethanol (grain alcohol) and 90 % unleaded gasoline may be used in your vehicle, provided the octane number is at least as high as that recommended for unleaded gasoline.

Methanol

Do not operate your vehicle on gasoline containing methanol (wood alcohol). Using this type of alcohol could adversely affect the vehicle's performance and damage critical parts of the vehicle's fuel system.

General information

Reformulated gasoline

Many areas of the country require the use of cleaner burning fuel referred to as “Reformulated Gasoline”.

Reformulated gasoline contains oxygenates and is specially blended to reduce vehicle emissions and improve air quality.

Mitsubishi Motors Corporation strongly supports the use of reformulated gasoline. Properly blended reformulated gasoline has no adverse effect on vehicle performance or the durability of engine and fuel system.

MMT (methylcyclopentadienyl manganese tricarbonyl)

MMT is a manganese-containing metallic additive that is blended into some gasolines to increase the octane number. Mitsubishi Motors Corporation recommends using gasolines without MMT.

Use of gasolines blended with MMT may adversely affect performance, and cause the malfunction indicator on your instrument panel to come on. If this happens, contact an authorized Mitsubishi Motors dealer or a repair facility of your choice for assistance.

Sulfur in gasoline

Your vehicle may have been designed to satisfy California’s low-emission regulations based on clean-burning low-sulfur gasoline. Gasoline sold in parts of the country other than California is allowed to have a higher sulfur content. Using such gasoline could adversely affect the vehicle’s catalytic converter and cause the engine malfunction indicator (“SERVICE ENGINE SOON” or “Check engine light”) to come on. Illumination of this indicator while you are using high-sulfur gasoline does not necessarily mean the vehicle’s emission-control

system is malfunctioning. Your authorized Mitsubishi Motors dealer may suggest you try using a different, lower-sulfur brand of unleaded gasoline to determine whether the problem is fuel-related.

NOTE

- Poor-quality gasoline can cause problems such as poor starting, stalling during idling, abnormal engine noise, and poor acceleration. If you experience any of these problems, try using a different brand of gasoline. If the engine malfunction indicator (“SERVICE ENGINE SOON” or “Check engine light”) flashes, have the vehicle inspected as soon as possible by the nearest authorized Mitsubishi Motors dealer or a repair facility of your choice.
- Repeatedly driving short distances at low speeds can cause deposits to form in the fuel system and engine, resulting in poor starting and poor acceleration. If these problems occur, you are advised to add a detergent additive to the gasoline when you refuel the vehicle. The additive will remove the deposits, thereby returning the engine to a normal condition. Be sure to use a Mitsubishi Motors Genuine cleaning additive. Using an unsuitable additive could make the engine malfunction. For details, please contact the nearest authorized Mitsubishi Motors dealer.

General information

Filling the fuel tank

N00301100854

⚠ WARNING

- Gasoline is highly flammable and explosive. You could be burned, seriously injured or killed when handling it. When refueling your vehicle, always turn the engine off and keep away from flames, sparks, and smoking materials. Always handle fuel in well-ventilated outdoor areas.
- Before removing the fuel tank filler cap, be sure to get rid of your body's static electricity by touching a metal part of the car or fuel pump. Any static electricity on your body could create a spark that ignites fuel vapor.
- Perform the whole refueling process (opening the fuel tank filler door, removing the fuel cap, etc.) by yourself; do not let any other person near the fuel tank filler. If you allowed a person to help you and that person was carrying static electricity, fuel vapor could be ignited.
- Do not move away from the fuel tank filler until refueling is finished. If you moved away and did something else (for example, sitting on a seat) part-way through the refueling process, you could pick up a fresh charge of static electricity.
- Be careful not to inhale fuel vapor. Fuel contains toxic substances.
- Keep the doors and windows closed while refueling the vehicle. If they were open, fuel vapor could get into the cabin.

Fuel tank capacity

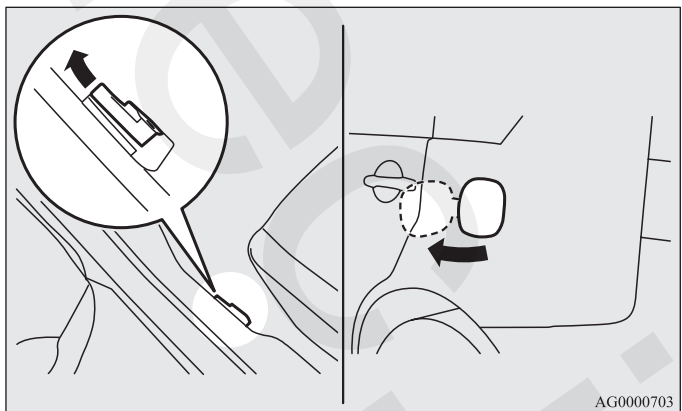
All-wheel drive vehicles: 15.8 gal (60 L)

Front-wheel drive vehicles: 16.6 gal (63 L)

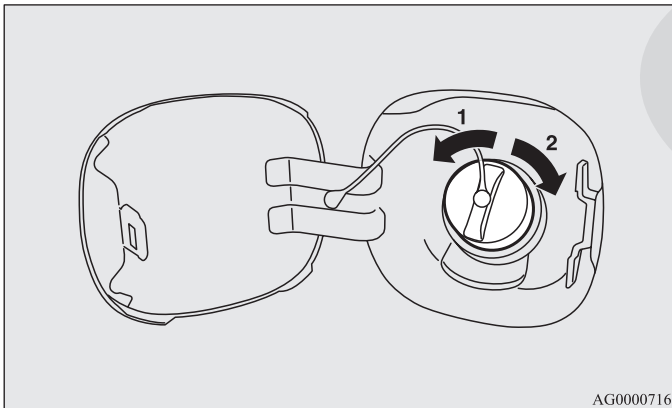
Refueling

1. Before filling with fuel, stop the engine.
2. The fuel tank filler is located on the rear driver side of your vehicle.

The fuel tank filler door can be opened from inside the vehicle with the fuel tank filler door release lever located at the left side of the driver's seat.



3. Open the fuel tank filler pipe by slowly turning the fuel tank filler cap counterclockwise.



- 1- Remove
- 2- Close

⚠ WARNING

- Since the fuel system may be under pressure, remove the fuel tank filler cap slowly. This relieves any pressure or vacuum that might have built up in the fuel tank. If the cap is venting vapor or if you hear a hissing sound, wait until the sound stops before removing the cap. Otherwise, fuel may spray out, injuring you or others.

General information

4. To fill with fuel correctly depends mainly on correct handling of the fuel filler nozzle. Do not tilt the nozzle. Insert the nozzle in the fuel tank filler port as far as it goes.

⚠ CAUTION

- Your vehicle can only be operated using unleaded gasoline. Serious engine and catalytic converter damage will result if leaded gasoline is filled into these vehicles, and consequently, this must never be attempted.

5. When the nozzle stops automatically, do not try to add more fuel.

⚠ CAUTION

- To avoid fuel spillage and overfilling, do not “top-off” the fuel tank. Spilled fuel could discolor, stain, or crack the vehicle’s paintwork. If fuel spills on the paintwork, wipe it off with a soft cloth.

6. To close, turn the fuel tank filler pipe cap slowly clockwise until you hear clicking sounds, then gently push the fuel tank filler door closed.

⚠ WARNING

- Make sure the fuel tank filler cap is securely closed. If the fuel cap were loose, fuel could leak, resulting in a fire.

General information

CAUTION

- If you need to replace the fuel tank filler cap, use only the cap specified for your model vehicle.

NOTE

1

- If the fuel tank filler cap is not tight while driving, the engine malfunction indicator (“SERVICE ENGINE SOON” or “Check engine light”) may come on when the onboard diagnostic (OBD) system performs a self check. Always tighten the fuel tank filler cap until you hear at least 3 clicks. The indicator will go off after driving several times. If the indicator does not go off, contact your authorized Mitsubishi Motors dealer or a repair facility of your choice as soon as possible.

Modifications to and racing of your vehicle

N00301600152

This vehicle should not be modified with non-Mitsubishi Motors genuine parts. Mitsubishi Motors designs and manufactures high quality vehicles with an emphasis on safety and durability. Modifications using non-Mitsubishi Motors genuine parts may affect the performance, safety and/or durability of your vehicle, and may violate applicable state and/or federal regulations.

DAMAGE OR PERFORMANCE PROBLEMS RESULTING FROM MODIFICATIONS TO OR RACING OF YOUR VEHICLE ARE NOT COVERED UNDER WARRANTY.

Examples of modifications to your vehicle that can cause damage or performance problems include the following:

- Failure to use Mitsubishi Motors genuine parts
- Failure to use required fuel and fluids
- Failure to use proper size tires and wheels
- Modification of the fuel, intake, exhaust, emission, suspension, engine, drive train or electrical wiring systems
- Modification of any onboard computer/control module, including reprogramming, or replacing/adding chips to any onboard computer/control module

Review the Warranty and Maintenance Manual for further details regarding warranty coverage.

Installation of accessories

N00301700195

⚠ CAUTION

- Before any electrical or electronic accessories are installed, consult an authorized Mitsubishi Motors dealer.

- The installation of accessories, optional parts, etc., should only be carried out within the limits prescribed by law, and in accordance with the guidelines and warnings contained within the documents accompanying this vehicle. Only Mitsubishi Motors approved accessories should be fitted to your vehicle.
- Improper installation of electrical parts could cause fire. Refer to the “Modification/alterations to the electrical or fuel systems” section within this owner’s manual.
- Using a cellular phone or radio set inside the vehicle without an external antenna may cause electrical system interference, which could lead to unsafe vehicle operation.
- Tires and wheels which do not meet specifications must not be used.
Refer to the “Specifications” section for information regarding wheel and tire sizes.

⚠ WARNING

- While driving, do not use a cellular phone in a way that hinders safe driving. Anything, including cellular phone usage, that distracts you from the safe operation of your vehicle increases your risk of an accident.
Refer to and follow all state and local laws in your area regarding cellular phone usage while driving.

Important point!

Due to the large number of accessory and replacement parts provided by different manufacturers in the market, it is not always possible for an authorized Mitsubishi Motors dealer to check whether the attachment or installation of non-Mitsubishi Motors genuine parts affects the driving safety of your Mitsubishi-vehicle.

General information

Modification/alterations to the electrical or fuel systems

N00301800141

Mitsubishi Motors manufactures high quality vehicles with an emphasis on safety. It is important to consult an authorized Mitsubishi Motors dealer before installation of any accessory which may involve modification of the electrical or fuel systems.

⚠ CAUTION

- Please consult an authorized Mitsubishi Motors dealer concerning any such accessory fitment or modification.

If the wires interfere with the vehicle body or improper installation methods are used (protective fuses not included, etc.), electronic devices may be adversely affected, resulting in a fire, vehicle damage, or other accident.

Genuine Mitsubishi Motors parts

N00301400219

Mitsubishi Motors Genuine Parts are designed and manufactured to meet high standards of performance, and are recommended for all of your maintenance needs. Also available from your Mitsubishi Motors dealer are a wide variety of accessories to personalize your new vehicle. Each Mitsubishi Motors vehicle has a selection of Mitsubishi Motors authorized accessories to choose from to tailor your new vehicle to your own personal preference. Your Mitsubishi Motors dealer's Parts Manager has information on various audio systems, protection items, as well as interior and exterior accessories available for your specific model.

California Perchlorate Materials Requirements

N00300100017

Certain components of this vehicle, such as airbag modules, seat belt pretensioners, and button cell batteries, may contain perchlorate materials.

Special handling may apply. For additional information, see www.dtsc.ca.gov/hazardouswaste/perchlorate.

Manualslib.com



.....

.....

.....

.....

.....

.....

.....

.....

.....

.....

.....

.....

.....

.....

.....

.....

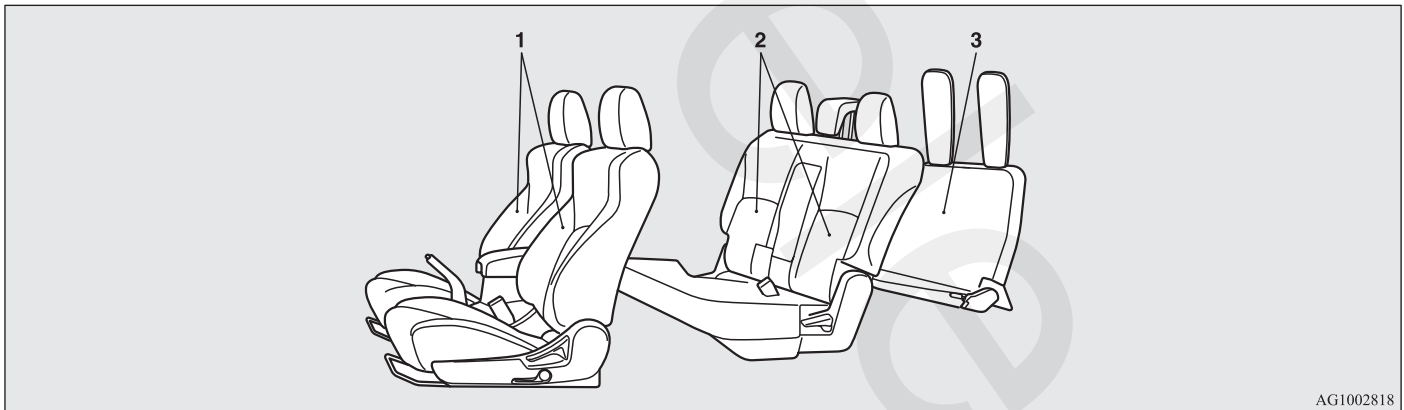
Seat and restraint systems

Seats	2- 2
Seat arrangement	2- 3
Seats and restraint systems	2- 5
Front seats	2- 5
Second row seats	
(60/40 split fold/tumble seats)	2- 13
Third row seat (Seating 7 passengers)	2- 16
Head restraints	2- 26
Making a cargo area	2- 29
Making a flat seat	2- 35
Seat belts	2- 39
Seat belt use during pregnancy	2- 48
Seat belt pre-tensioner and force limiter systems	2- 48
Child restraint systems	2- 50
Maintenance and inspection of seat belts	2- 61
Supplemental Restraint System (SRS) - airbag	2- 61

Seat and restraint systems

Seats

N00408400453



AG1002818

1 - Front seat

- To adjust the seat forward or backward→Page 2-7
- To adjust the seatback→Page 2-8
- To adjust the seat height (Driver's seat only) →Page 2-9
- Arm rest (if so equipped) →Page 2-11
- Heated seat (if so equipped) →Page 2-11

2 - Second row seats

- To adjust the seat forward or backward (vehicles with second row seat slide function) →Page 2-13
- To adjust the seatback→Page 2-13
- Arm rest→Page 2-15
- Accessing the underfloor-stowable compact 3rd row seat (Seating 7 passengers) →Page 2-15

3 - Third row seat (Seating 7 passengers)


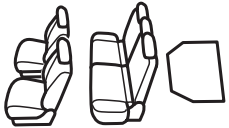
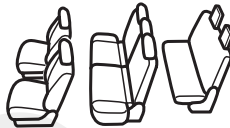
- Folding out the underfloor-stowable compact 3rd row seat →Page 2-16

Seat and restraint systems


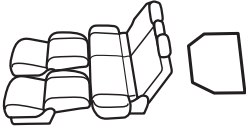

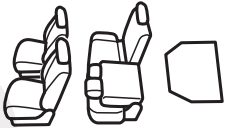

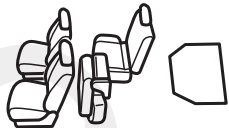
Seat arrangement

N0040170012

You can arrange the seats as follows according to your personal preferences.

	Seating 5 passengers	Seating 7 passengers
Ordinary use	 <p>AGM000168</p>	 <p>AGM000230</p>
When seating 7 passengers (Folding out the third row seat)→Page 2-16	—	 <p>AGM000201</p>

Seat and restraint systems

		Seating 5 passengers	Seating 7 passengers
Flat seat→Page 2-35		 <p>AGM000285</p>	 <p>AGM000171</p>
2 Making a cargo area	Folding seatbacks down (Second row seats) →Page 2-30	 <p>AGM000184</p>	 <p>AGM000272</p>
	Folding the second row seats→Page 2-30	 <p>AGM000197</p>	 <p>AGM000214</p>

Seats and restraint systems

N00401600153

Your vehicle has seat belts and other features that help protect you and your passengers in an accident.

Seat belts are the most important safety device. When worn properly, seat belts can reduce the chance of serious injury or death in various types of crashes. For added protection during a severe frontal collision, your vehicle has a Supplemental Restraint System (SRS) with airbags for the driver and passengers. The seats, head restraints, and door locks also are safety equipment, which must be used correctly.

Always check the following before you drive:

- That everyone in your vehicle is properly wearing their seat belt.
- That infants and small children are properly secured in appropriate child restraint systems in the rear seat.
- That all doors are fully closed and locked.
- That seatbacks are upright, with head restraints properly adjusted.

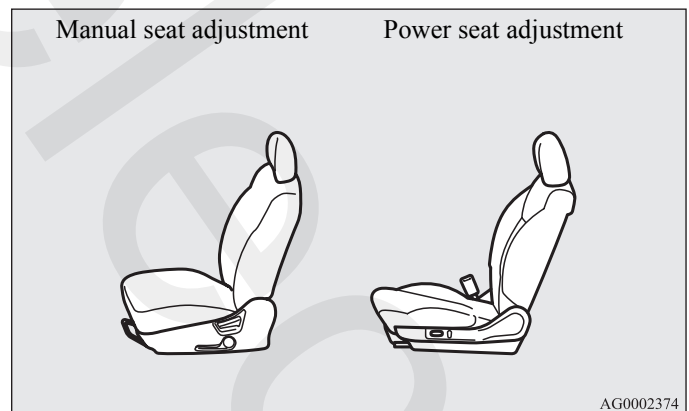
Safety equipment cannot prevent injury or death in all motor vehicle accidents. You can help reduce the risk of injury or death, however, by following the instructions in this manual.

Seat and restraint systems

Front seats

N00401800331

Position the driver's seat as far back as possible while maintaining a position that still enables you to fully apply the pedals, easily control the steering wheel and safely operate the vehicle.



Seat and restraint systems

⚠ WARNING

- Do not attempt to adjust the seat while driving. This can cause loss of vehicle control and result in an accident.
- After adjusting the seat, make sure that it is securely locked into position.
- To reduce the risk to the driver of serious injury or death during deployment of the driver's airbag, always properly wear the seat belt and adjust the driver's seat as far back as possible while maintaining a position that still enables you to fully apply the pedals, easily control the steering wheel, and safely operate the vehicle.
- To reduce the risk to the front passenger of serious injury or death during deployment of the passenger's airbag, always properly wear the seat belt and adjust the front passenger's seat as far back as possible.
- Always place children 12 years old and under in the rear seat and use appropriate child restraint systems.

⚠ CAUTION

- Make sure that the seat is adjusted by an adult. If it is adjusted by a child, an unexpected accident might occur.
- Do not place a cushion or the like between your back and the seatback while driving. The effectiveness of the head restraints will be reduced in the event of an accident.
- When sliding the seats, be careful not to catch your hand or leg.
- When sliding or reclining the seat rearward, pay careful attention to the second row seat passengers.

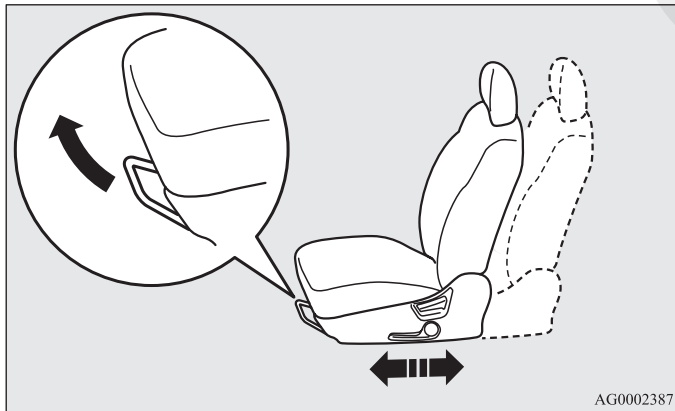
Seat and restraint systems

To adjust the seat forward or backward

N0040190028

Manual seat adjustment

Pull the seat adjusting lever up and slide the seat forward or backward to the desired position. Release the adjusting lever to lock the seat in place.

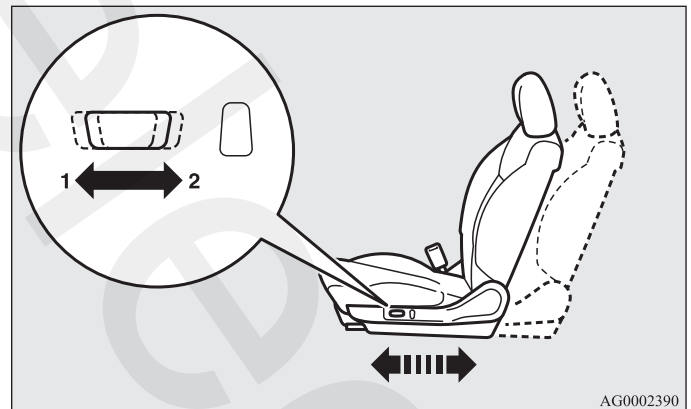


⚠ WARNING

- To make sure that the seat is securely locked, try to move it forward or backward without using the adjusting lever.

Power seat adjustment

Operate the switch forward or backward to move the seat to the desired position. Release the switch to lock the seat in place.



- 1- Forward (toward the front of the vehicle)
- 2- Backward (toward the rear of the vehicle)

NOTE

- To prevent the battery from going dead, operate the power seat with the engine running.

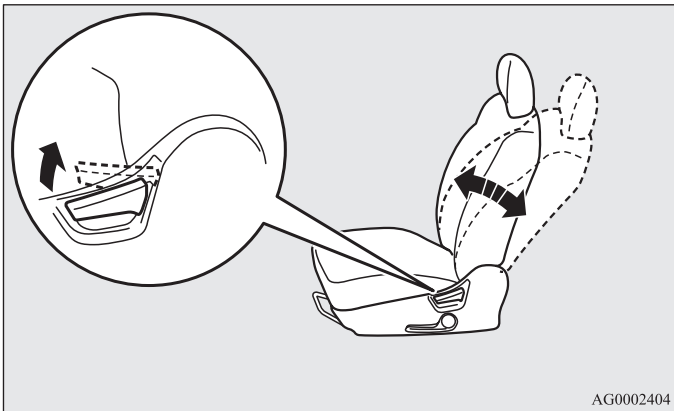
Seat and restraint systems

To adjust the seatbacks

N00402000268

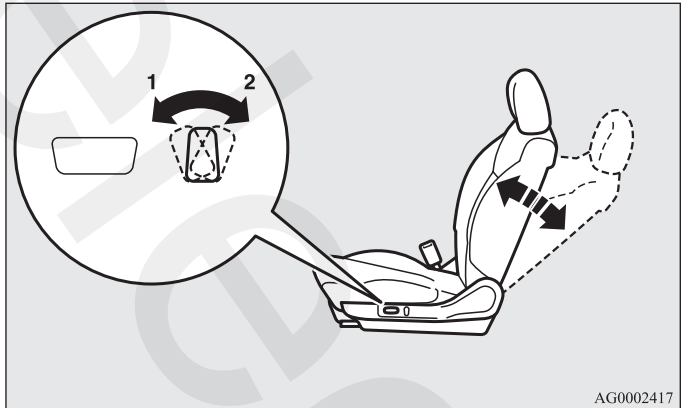
Manual seat adjustment

To adjust the seatback, lean forward slightly, gently pull the seatback lock lever up, then lean backward to a comfortable position and release the lever. The seatback will lock in place.



Power seat adjustment

Operate the switch in the direction of the arrows to adjust the seatback.



- 1- Move forward
- 2- Move backward

NOTE

- To prevent the battery from going dead, operate the power seat with the engine running.

CAUTION

- The reclining mechanism used in the seatback is spring loaded, and will cause the seatback to return quickly to the vertical position when the lock lever is operated. When pulling the lever, sit close to the seatback or hold the seatback with your hand to control its return motion.

⚠ WARNING

- To reduce the risk of serious injury or death in the event of an accident or sudden stop, all seatbacks should be kept in the upright position while the vehicle is in motion.

Seat belt performance during an accident can be adversely affected if the seatbacks are reclined. The more a seatback is reclined, the more likely seat belt performance will be adversely affected. If the seat belt is not properly positioned against the body during an accident, there is increased risk you will slide under the belt and receive serious injury or death.

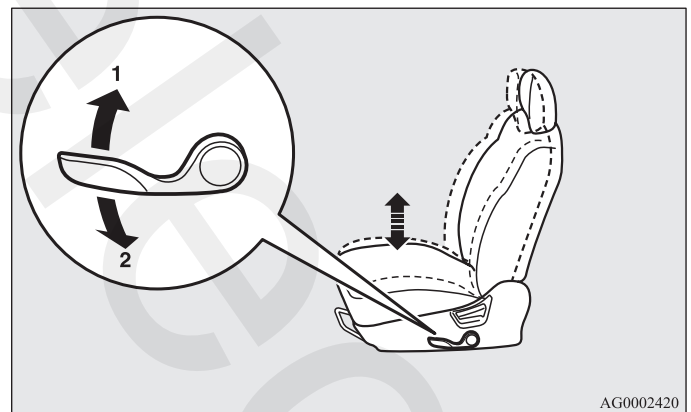
Seat and restraint systems

To adjust the seat height (Driver's seat only)

N00402100197

Manual seat adjustment

Operate the lever repeatedly to raise or lower the seat.



- 1- Raise
- 2- Lower

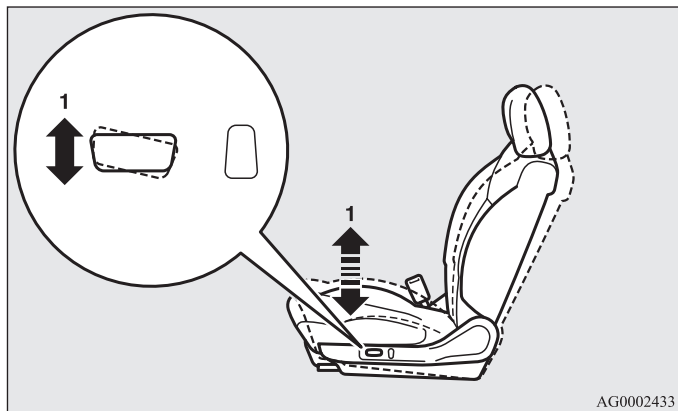
Seat and restraint systems

Power seat adjustment

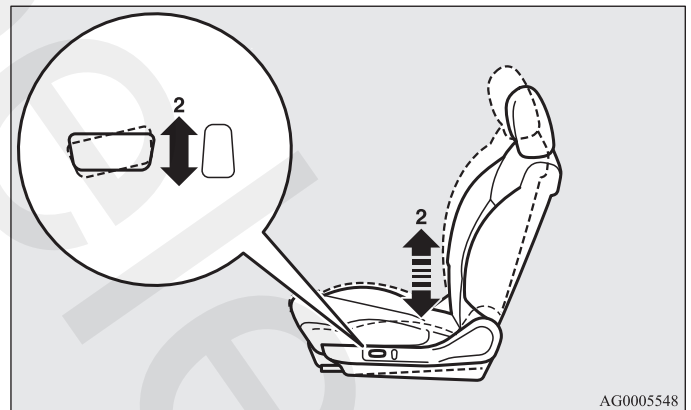
Operate the switch in the direction of the arrows to raise or lower the seat.

NOTE

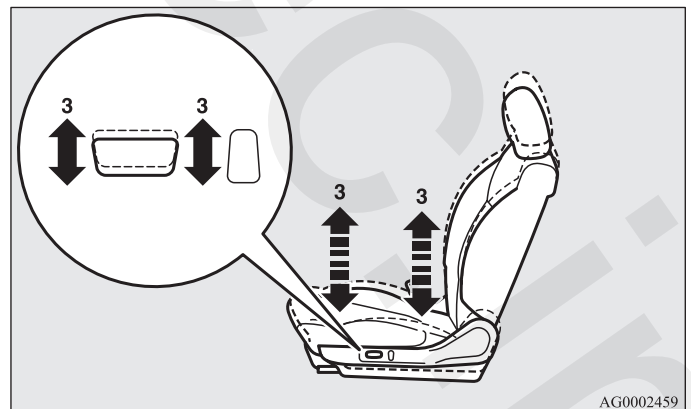
- To prevent the battery from going dead, operate the power seat with the engine running.



1- Raise or lower the front end of the seat



2- Raise or lower the back end of the seat



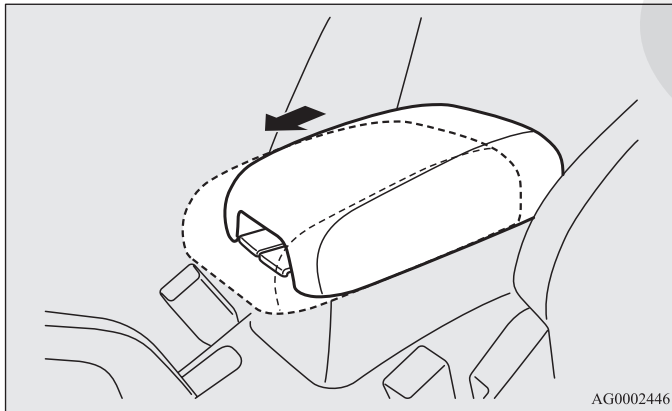
3- Raise or lower the entire seat

Seat and restraint systems

Arm rest (if so equipped)

N00402300069

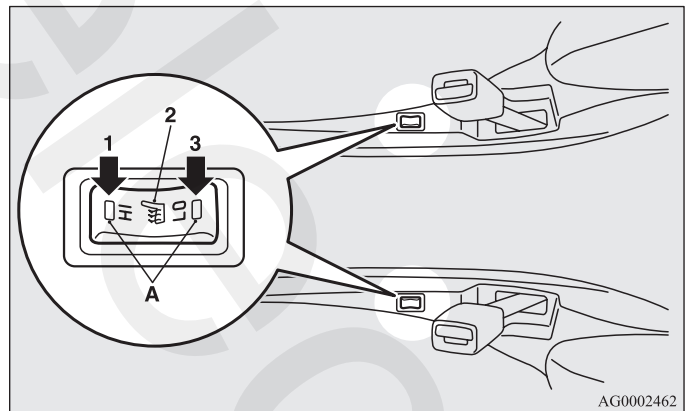
The lid on the floor console box can be moved forward and backward and used as an arm rest.



Heated seat (if so equipped)

N00435600310

The heated seats can be operated by pushing the switch when the ignition switch is in the "ON" position. The indicator light (A) will illuminate while the heater is on.



- 1 (HI) - Heater high (for quick heating)
- 2 - Heater off
- 3 (LO) - Heater low (to keep the seat warm)

Seat and restraint systems

⚠ WARNING

- Persons who are unable to feel temperature change or skin pain due to age, illness, injury, medication, alcohol use, fatigue or other physical conditions or who have sensitive skin may suffer burns when using the heated seat even at low temperatures. To reduce the risk of burns, people with such conditions must use care when using the heated seat.

⚠ CAUTION

- Switch off the heated seats when not in use. Operate the heaters at the “HI” position for quick heating. After the seat has become warm, set the heater switch to the “LO” position to keep it warm. Slight variations in the seat temperature may be felt while using the heated seats. This is caused by the operation of the heater’s internal thermostat and does not indicate a malfunction.

⚠ CAUTION

- Do not place heavy objects on the seat or stick pins, needles, or other pointed objects into the seat.
- Do not place a blanket, cushion, or other insulating material on the seat while using the heater; doing so can cause the heater element to overheat.
- When cleaning the seat, do not use benzine, kerosene, gasoline, alcohol, or other organic solvents; doing so can cause damage not only to the surface of the seat, but also to the heater.
- If water or any other liquid is spilled on the seat, allow it to dry thoroughly before attempting to use the heater. Turn the heater off immediately if it appears to be malfunctioning during use.

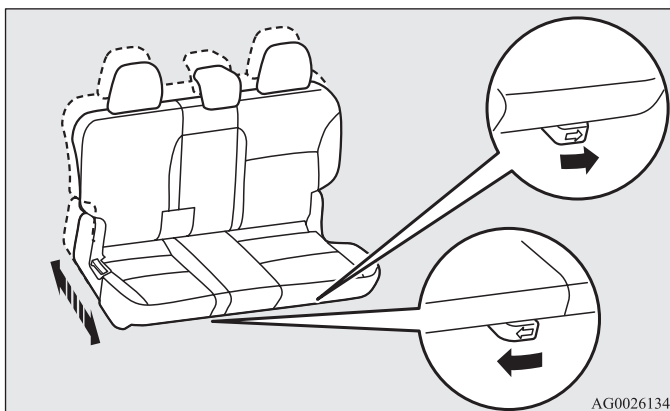
Second row seats (60/40 split fold/tumble seats)

N00402500205

When sitting in the second row seat, adjust the head restraints to heights at which they lock in position. Refer to “Head restraints” on page 2-26.

To adjust the seat forward or backward (vehicles with second row seat slide function)

Pull the seat adjusting lever and gently rock the seat forward or backward to the desired position. Release the adjusting lever to lock the seat in place.



NOTE

- You can adjust the seat forward or backward on either side separately.

⚠ WARNING

- To make sure that the seat is securely locked, try to move it forward or backward without using the adjusting lever.

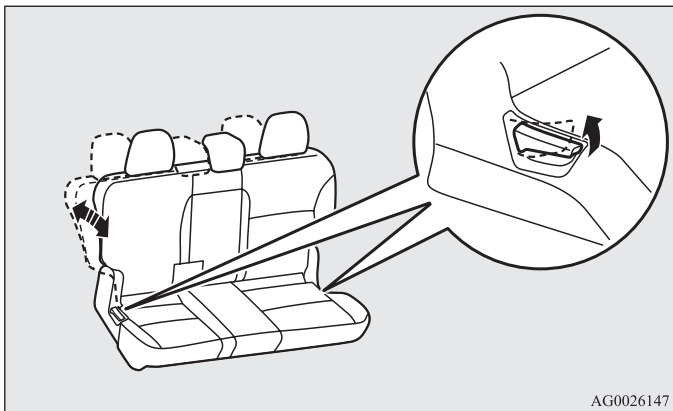
⚠ CAUTION

- When sliding (vehicles with second row seat slide function) or reclining the seat rearward, pay careful attention to the third row seat passengers.

Seat and restraint systems

To adjust the seatbacks

To adjust the seatback, lean forward slightly, gently pull the seatback lock lever, then lean backward to a comfortable position and release the lever. The seatback will lock in place.



NOTE

- You can adjust the seatback forward or backward on either side separately.

⚠ WARNING

- To reduce the risk of serious injury or death in the event of an accident or sudden stop, all seatbacks should be kept in the upright position while the vehicle is in motion.

⚠ WARNING

- Seat belt performance during an accident can be adversely affected if the seatbacks are reclined. The more a seatback is reclined, the more likely seat belt performance will be adversely affected. If the seat belt is not properly positioned against the body during an accident, there is increased risk you will slide under the belt and receive serious injury or death.
- When a person is sitting in the middle seating position of the second row seats, the two sides of the second seats must have the same forward/backward position (vehicles with second row seat slide function) and the same seatback angle. Otherwise, the seat belt for the middle seating position may not be adequately effective in the event of hard braking or a collision.

⚠ CAUTION

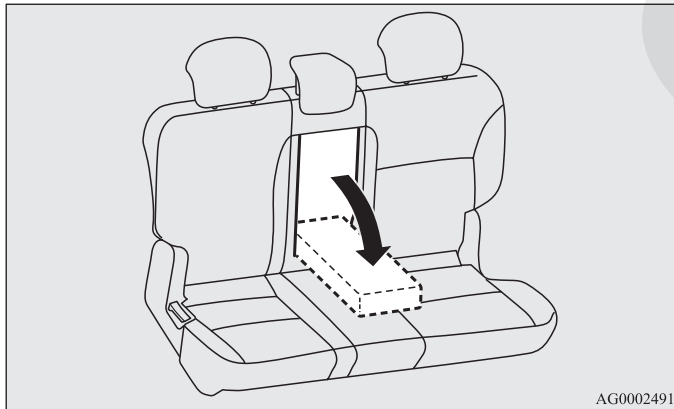
- The reclining mechanism used in the seatback is spring loaded, and will cause the seatback to return quickly to the vertical position when the lock lever is operated. When pulling the lever, sit close to the seatback or hold the seatback with your hand to control its return motion.

Seat and restraint systems

Arm rest

Tilt the arm rest down for use as shown.
The arm rest includes a cup holder.

N00403000236



NOTE

- Never sit on an arm rest.
Doing so could damage the arm rest.

Accessing the underfloor-stowable compact 3rd row seat (Seating 7 passengers)

N00400100021

Access to the third row seat is possible by folding the second row seat out of the way. Refer to “Folding the second row seats” on page 2-30.



Seat and restraint systems

Third row seat (Seating 7 passengers)

N0041950063

The third row seat can be used for two additional passengers. When the third row seat is not in use, it can be stowed under the floor to provide more cargo area.

⚠ WARNING

- The third row seats are intended for use by no more than two belted occupants, each of which does not exceed 160 cm (63 inches) in height. Exceeding these limitations can result in an increased risk of personal injury or death in the event of an accident.
- The third row seats are not intended for use by infants and small children who must use rear facing or forward facing child safety seats.
- Third row seat operation should always be made before driving. Operating the seat while driving could cause the seat to move more than necessary and result in a serious injury or death.
- Before using, check that the third row seat is firmly secured. If not secured, the third row seat could move and cause a serious injury or death in an accident.
- The third row seat should not be used when the second row seats are folded forward. Third row seat passengers can suffer a serious or fatal injury if the second row seats fell backward in a collision or when heavy braking is applied.

⚠ WARNING

- When using the third row seat, always position and lock the head restraints on top of the seat back. See the steps 6 and 7 of the procedure for folding out the third seat.
- For vehicles equipped with the cargo area cover, when the third row seat is in use, always remove the cargo area cover to avoid serious injury or death in the event of an accident. Refer to “Cargo area cover”, page 3-288.

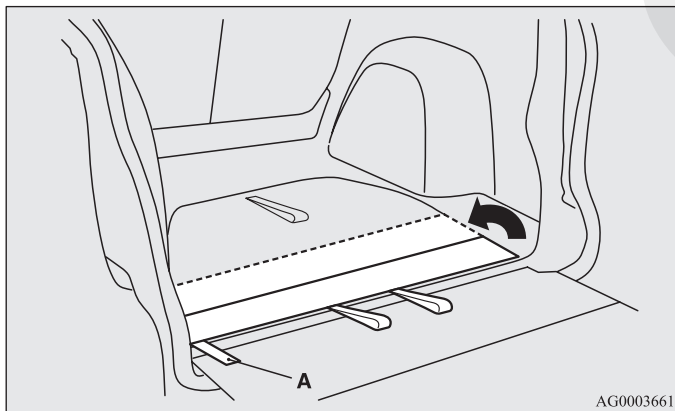
⚠ CAUTION

- The third row seat should be adjusted only by an adult. If it is adjusted by a child, an unexpected accident might occur.
- When adjusting the third row seat, keep your hands and feet away from moving parts and the space below the seat.
- Be careful not to touch the exhaust pipe, because it will remain hot for some time after the engine is stopped.

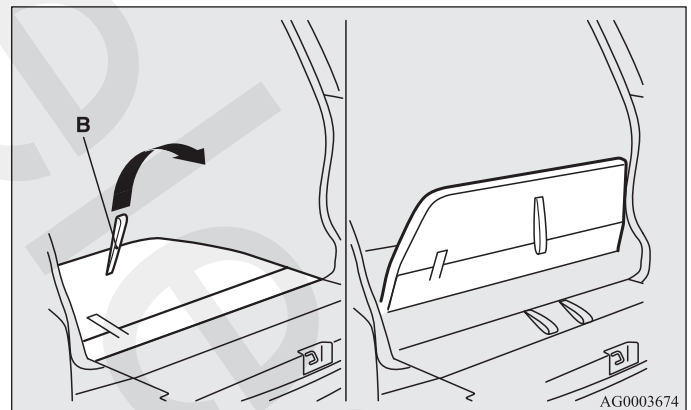
Seat and restraint systems

To fold out the third seat

1. Open the tailgate. Refer to “Flap-fold tailgate” on page 3-61.
2. From the rear of the vehicle, pull up the cover. Secure the cover to the seatback with the strap (A).

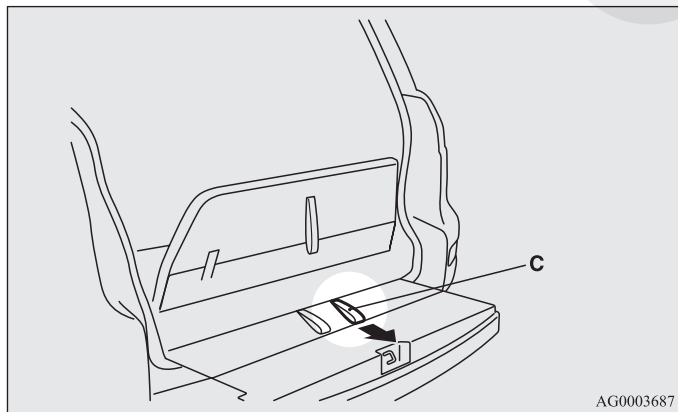


3. Pull on the strap (B) on the center of the seatback to raise the seatback upright.

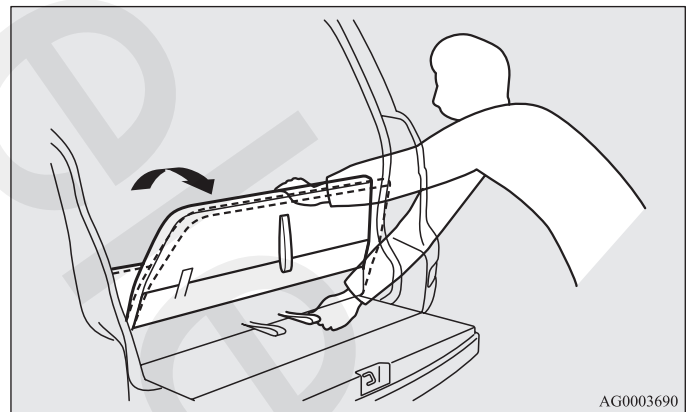


Seat and restraint systems

4. Pull the strap (C-black) to release the lock.



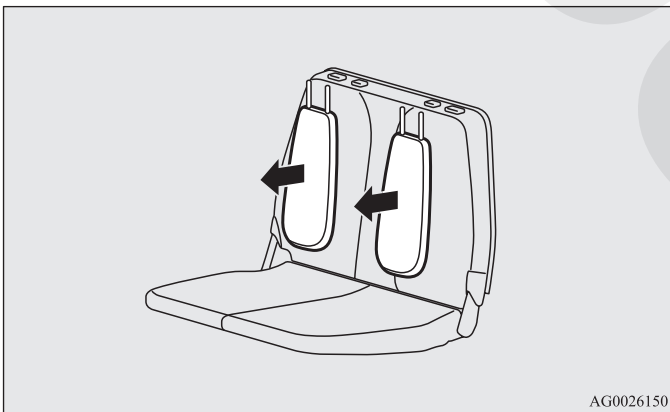
5. Tilt the third row seat assembly backward.



NOTE

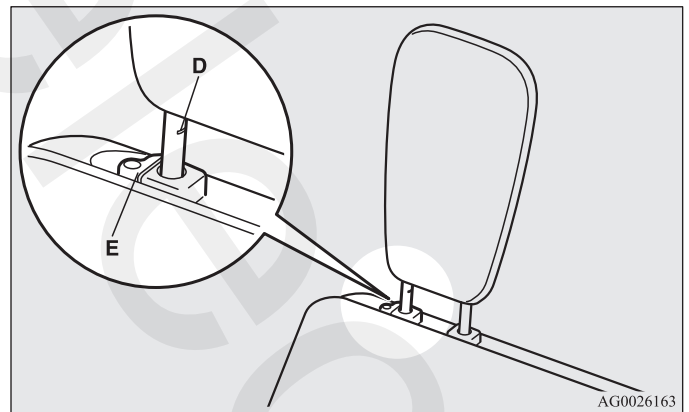
- If the third row seat is locked to the floor after tilting the third row seat assembly backward, pull the strap (C-black) again to release the lock.

6. Pull the head restraints off the front of the seatback.



Seat and restraint systems

7. First check that the head restraints are facing in the right direction and then insert them into the seatback. The stay with the notch (D) must be installed in the hole with the lock knob (E). Push the head restraints down until the restraints lock into place.

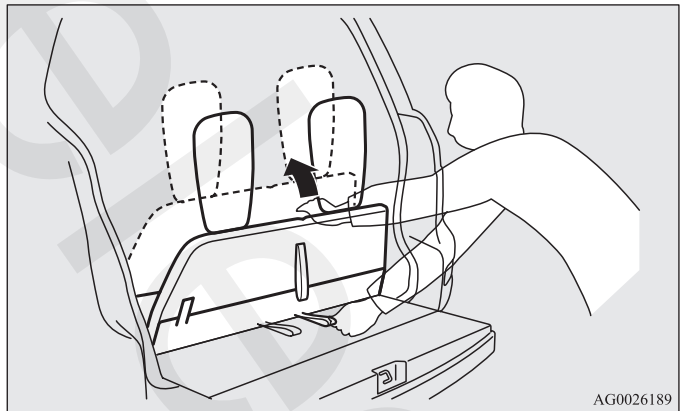
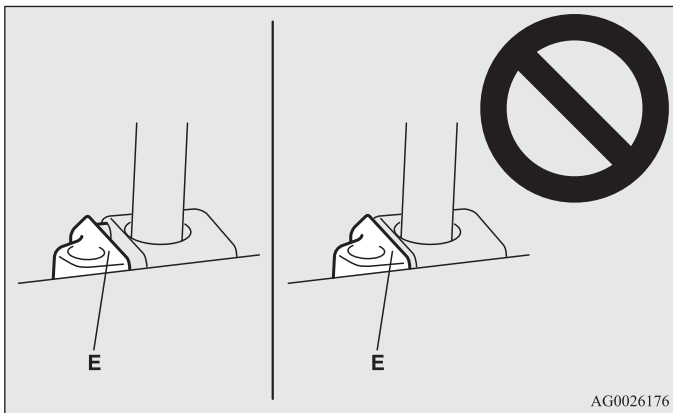


Seat and restraint systems

⚠ CAUTION

- Check that the lock knob (E) is extended out as shown in the illustration. Then pull the head restraint up to make sure that it is locked in place and will not come out of the seatback.

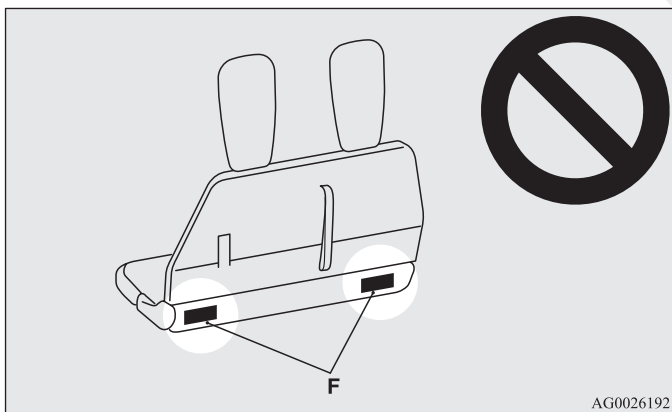
8. Lift the third row seat assembly up from the floor and move it forward to secure it in place.



Seat and restraint systems

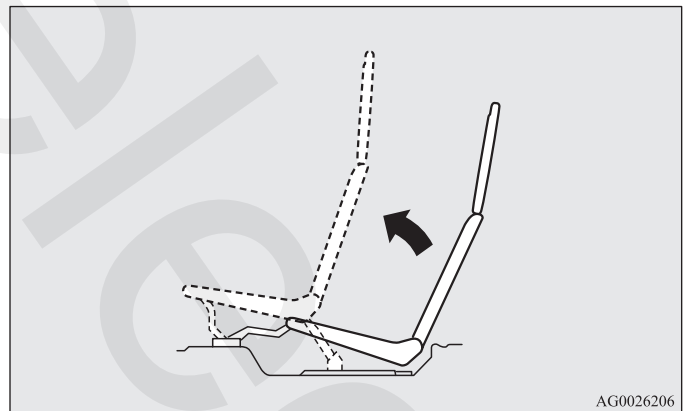
⚠ WARNING

- When lifting the third row seat, do not place your hands on or near the red labels (F). Your fingers could get caught and injured on the seat hinge mechanism.



NOTE

- Push up and forward so that the third row seat is firmly secured.



9. Set the cover back in place. Gently shake the seat and seatback to make sure they are firmly secured.

Seat and restraint systems

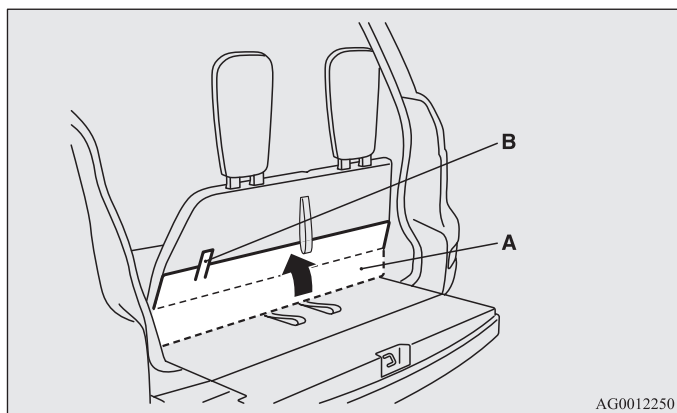
To stow the third row seat

NOTE

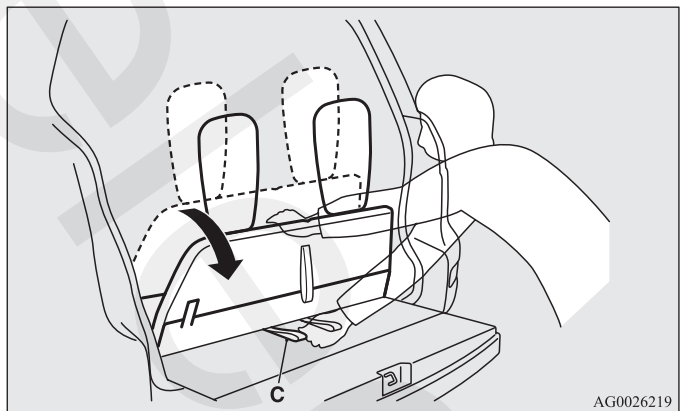
- Before stowing the third row seat, make sure that there is no luggage in the storage area. Storing the seat with luggage in the storage area could damage the seat.

1. Open the tailgate. Refer to “Flap-fold tailgate” on page 3-61.
2. From the rear of the vehicle, pull up the cover (A). Secure the cover to the seatback with the strap (B).

2



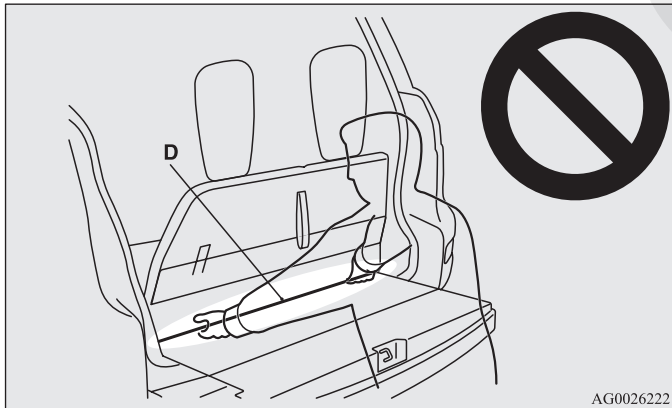
3. While pulling the strap (C-gray), move the third row seat backward and downward to the floor by holding the top of the seat back.



Seat and restraint systems

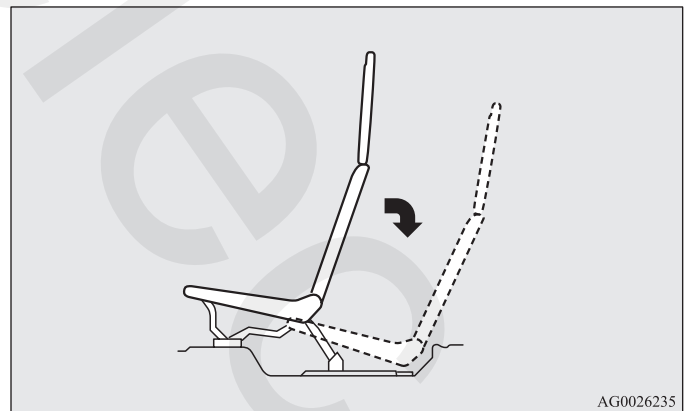
⚠ CAUTION

- When stowing the third row seat in the floor, keep your hands away from the end trim (D). Your hands could get caught and injured.



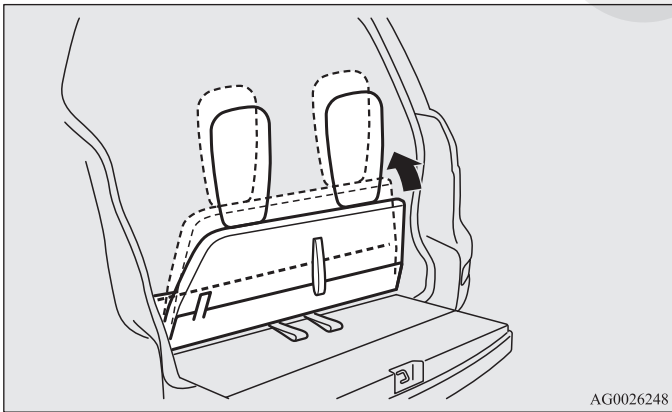
NOTE

- Push down so that the backside of the third row seat is firmly secured to the floor.
- If it is difficult to lock the seat in place, return the third row seat to its original position, and then lock it in place by pushing down while pulling with more force on the strap, so that the back end of the third row seat touches the floor.



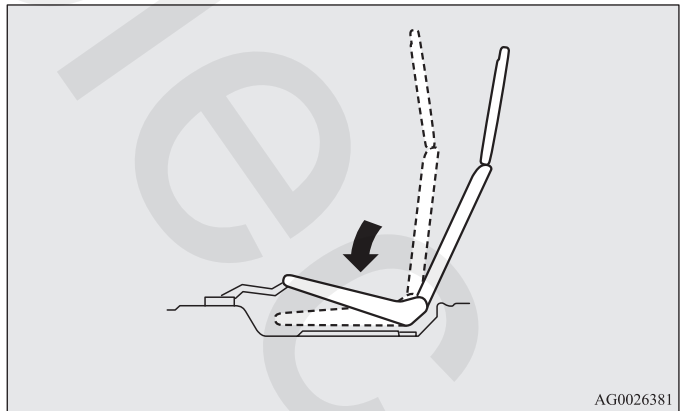
Seat and restraint systems

4. Tilt the seat assembly forward.

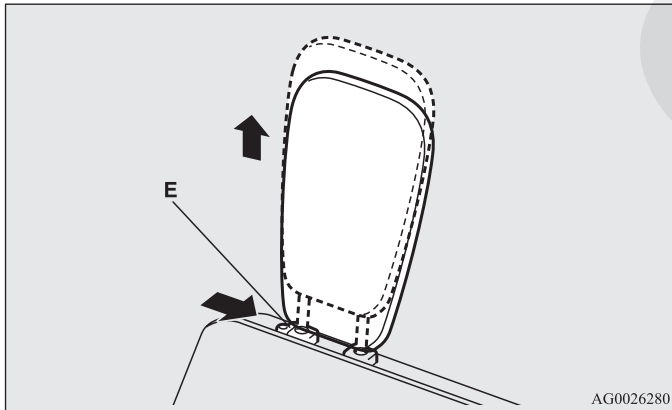


NOTE

- Before folding the seatback down, make sure that the front side of the third row seat is firmly secured to the floor.
- If it is difficult to secure the front side of the seat, make sure that the backside of the third row seat is firmly secured to the floor and then tilt the seat assembly forward with more force to secure it in place.

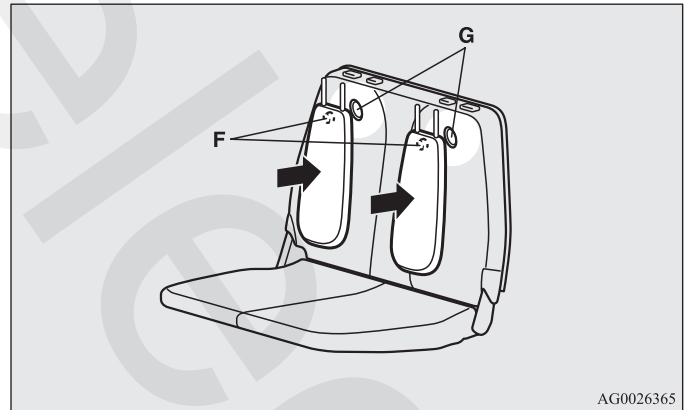


5. Press the lock knob (E) in the direction shown by the arrow. Then pull the head restraint up and out of the seatback.



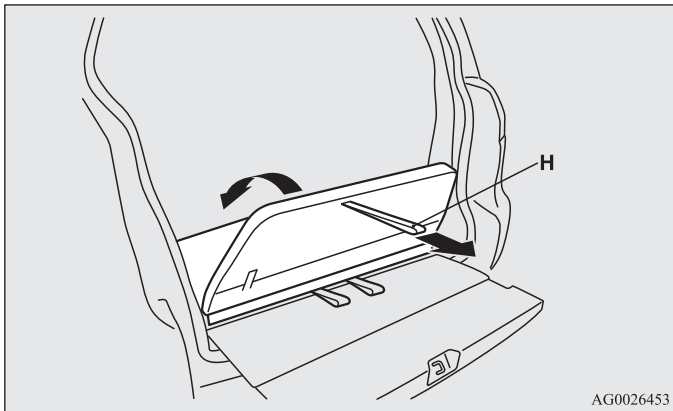
Seat and restraint systems

6. Turn the head restraints up side down and store them in the front of the seatback by inserting the knob (F) in the hole (G).



Seat and restraint systems

7. While pulling on the strap (H) on the center of the seat-back, fold the seat-back down.



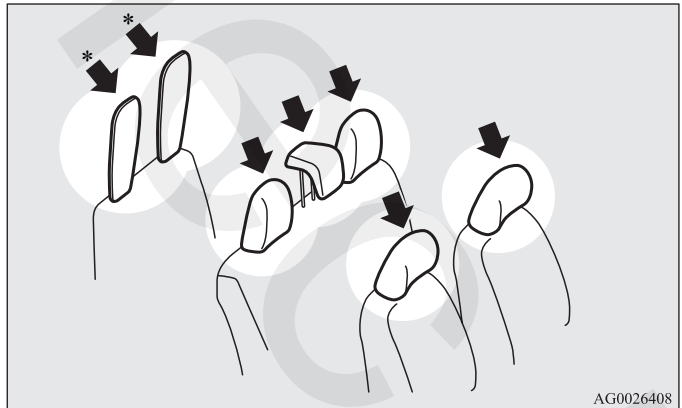
8. Set the cover back in place.

Head restraints

N00404300568

Head restraints can reduce the risk of a whiplash injury if your vehicle is hit from the rear.

The head restraints are equipped in the illustrated position. To maximize the effectiveness of the head restraints for the front and second row seats, adjust the seatback to the upright position, and the head restraint to the proper position. Sit back against the seatback with your head close to the head restraint.



*: Seating 7 passengers

⚠ WARNING

- Driving without the head restraints in place can cause you and your passengers serious injury or death in an accident. To reduce the risk of injury in an accident, always make sure the head restraints are installed and properly positioned when the seat is occupied.
- In order to minimize the risk of a neck injury due to a rear impact, the seatback must be adjusted to the upright position and the head restraint must be adjusted to the proper position before vehicle operation. The driver should never adjust the seat while the vehicle is in motion.
- Never place a cushion or similar device on the seatback. This can adversely affect head restraint performance by increasing the distance between your head and the restraint.

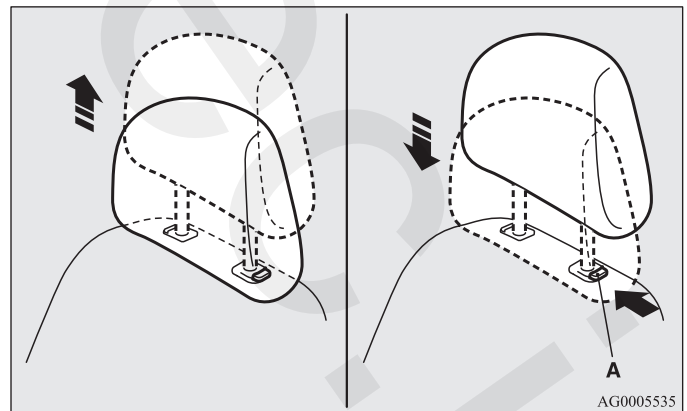
NOTE

- The head restraint height in the third row seats cannot be adjusted. For instructions regarding on how to use the third row seats, refer to “Third row seat (Seating 7 passengers)” on page 2-16.

Seat and restraint systems**Adjustment of the head restraint height (The front and second row seats)**

To reduce the risk of injury in an accident, adjust the head restraint height so that the center of the restraint is at your eye level when seated. Any person too tall for the restraint to reach their eye level when seated should raise the restraint to the highest locked position.

- To raise the restraint, pull it straight up.
- To lower the restraint, push down on it while pressing the lock knob (A) in the direction shown by the arrow.
- After adjusting the height, push down on the restraint to make sure it is locked in position.

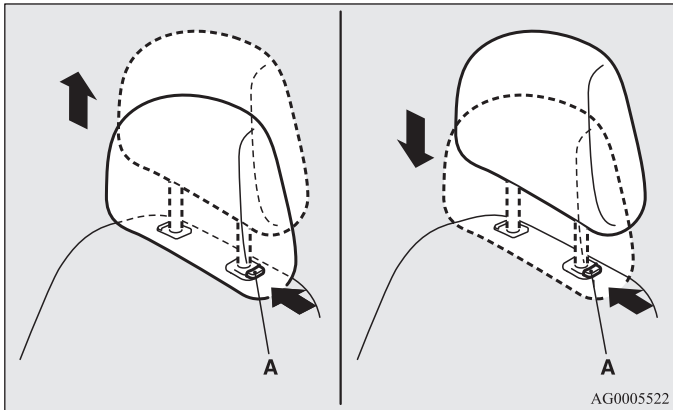


AG0005535

Seat and restraint systems

To remove (The front and second row seats)

Press the lock knob (A) in the direction shown by the arrows. Then pull the head restraint up and out of the seatback.



⚠ WARNING

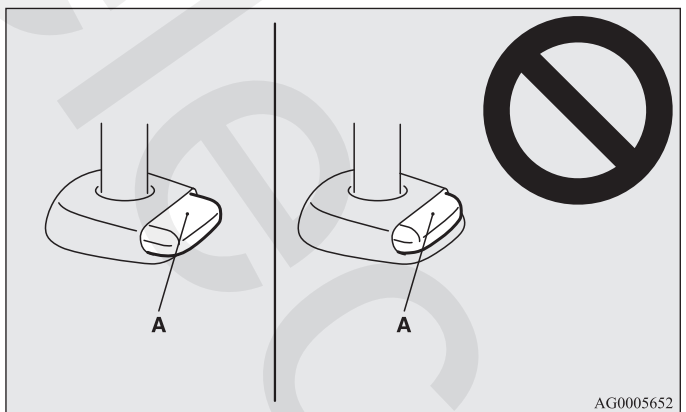
- To help minimize the risk of neck injury in the event of an accident, the head restraints must be properly installed and positioned to proper height before vehicle operation.

To install (The front and second row seats)

First check that the head restraint is facing in the right direction as shown in the previous illustration, and then insert it into the seatback. Push the head restraint down while pressing the lock knob (A) until the restraint locks into place.

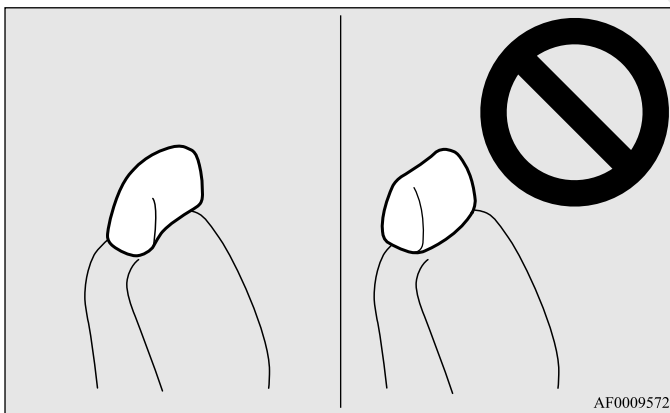
⚠ CAUTION

- Check that the lock knob (A) is extended out as shown in the illustration. Then pull the head restraint up to make sure that it is locked in place and will not come out of the seatback.



⚠ CAUTION

- The shape and size of the head restraint differs according to the seat. Always use the correct head restraint provided for the seat and do not install the head restraint in the wrong direction.



Making a cargo area

N00405500091

⚠ WARNING

- Never adjust the seats to make a cargo area when the vehicle is in motion or on a slope. The seats could move more than necessary or move suddenly and cause a serious accident.
- After folding up a seat or returning a seat back to its normal position, make sure that the seat is firmly secured. If the seat is not secured, it could move and cause a serious accident.
- Do not allow anyone to ride in the cargo area while the vehicle is in motion. People who are not properly seated and restrained can be seriously injured or killed in an accident.
- The front passenger seat is equipped with weight sensors. Depending on the weight detected, the front passenger airbag is disabled or enabled. When folding the second row seats forward for increased cargo capacity, the front passenger seat and seat back must be adjusted to assure they are not contacting the second row seat. In the event the front seat or seatback is allowed to contact the folded second row seat, proper operation of the front passenger airbag system may be affected.

Seat and restraint systems

⚠ CAUTION

- In the cargo area, do not load the luggage higher than the top of the seats and make sure that the luggage is firmly secured. Restricted rear vision or flying objects entering the passenger compartment during sudden braking could result in a serious accident.
- Seats should always be folded up and put back into the normal position by an adult. Seat adjustments by a child could lead to an unexpected accident.
- When adjusting the seats, be careful not to catch your hand or leg. Personal injury could result.

NOTE

- When the seatback of a front seat is reclined, return it to the upright position before driving.

Folding the second row seats

N00405700110

The second row seat can be folded to create an additional cargo area or to permit access to the third row seat on vehicles with a third row seat.

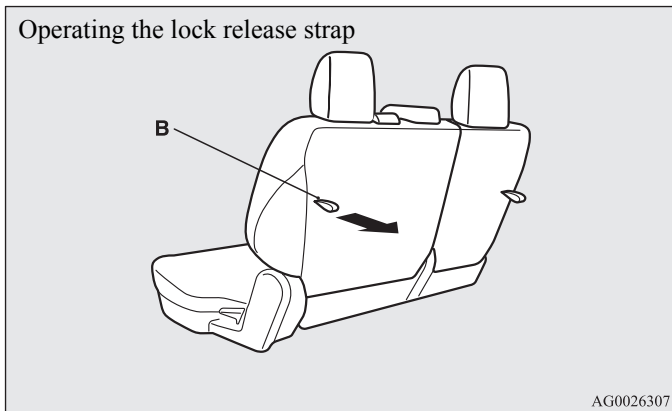
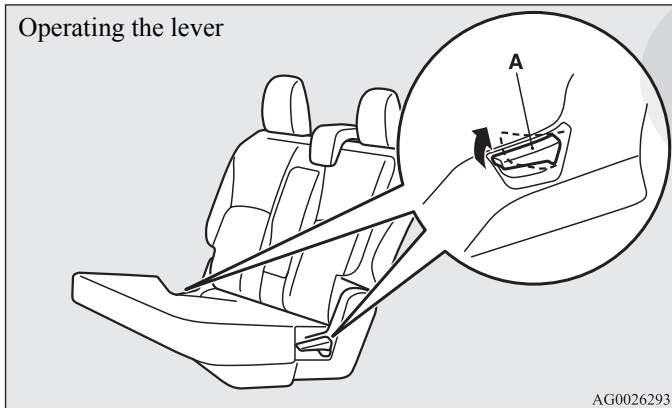
NOTE

- You can separately fold the right and left side of the second row seat.
- When folding down the seatback, the seat belt buckles can be stowed in the slits on the seat to avoid leaving marks on the seat.
“Storing the second row and third row seat belts” on page 2-46.

To fold up the seat

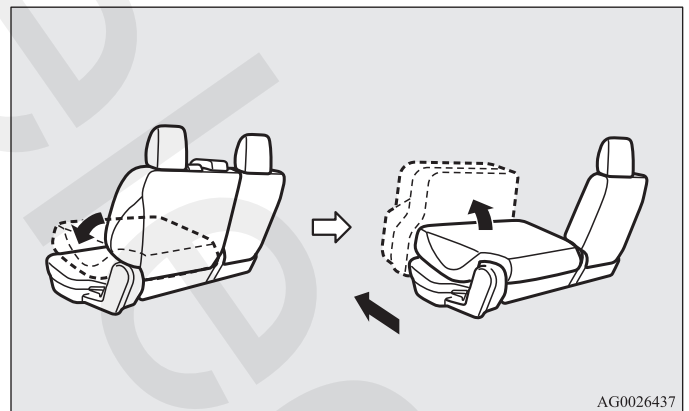
1. Lower the head restraints to the lowest position.
Refer to “Head restraints” on page 2-26.

2. Operate the lever (A) or lock release strap (B) on the second row seats to fold down the seatbacks.



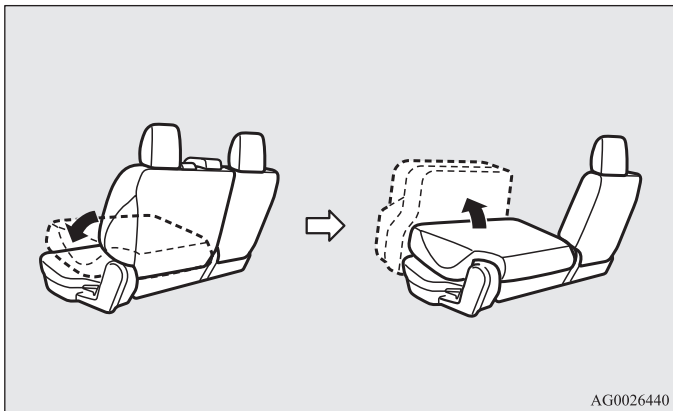
Seat and restraint systems

3. For vehicles with 2nd row seat slide function, the seatback will fall forward and the entire seat will flip up as it slides forward.



Seat and restraint systems

For vehicles without 2nd row seat slide function, the seatback will fall forward. Lift the entire seat until you hear a click.



4. After folding the seat, gently shake the folded seat to make sure it's firmly secured.

⚠ WARNING

- When folding the second row seat, make sure no one is on the seat. The seatback will fall forward rapidly and could cause serious injury.

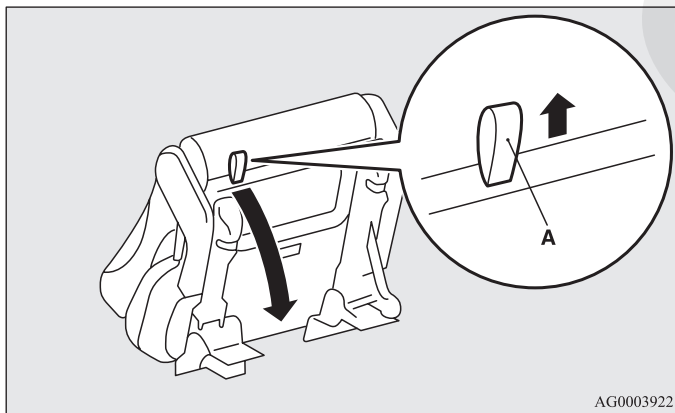
⚠ WARNING

- To reduce the risk of serious or fatal injury, do not allow the front passenger seat or seatback to remain in contact with the folded second row seat. The front passenger seat is equipped with weight sensors. Depending on the weight detected, the front passenger airbag is disabled or enabled. When folding the second row seats forward for increased cargo capacity, the front passenger seat and seatback must be adjusted to assure they are not contacting the second row seat. In the event the front seat or seatback is allowed to contact the folded second row seat, proper operation of the front passenger airbag system may be affected.
- Never let persons or cargo sit on top of the folded seat. Doing so could damage the seat.

Seat and restraint systems

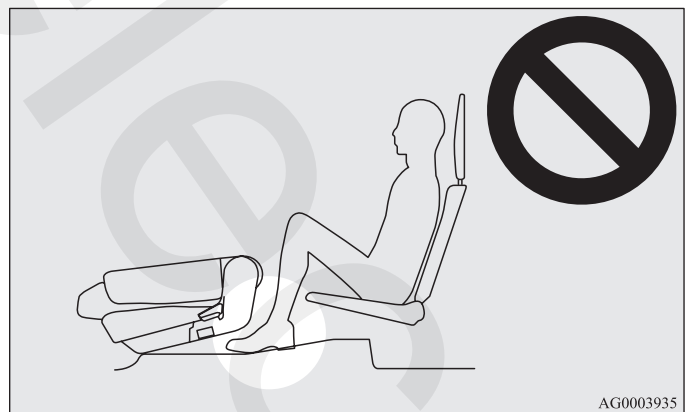
To put the seat back in its normal position

1. While supporting the seat with your hand, pull the lock release strap (A) on the backside of the seat cushion and keep it pulled as you lower the seat flat.



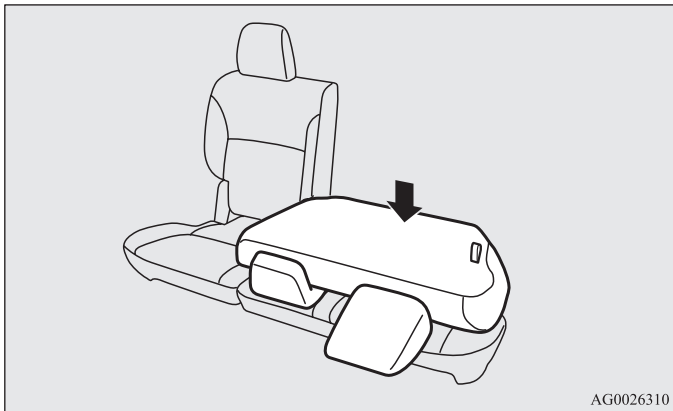
⚠ CAUTION

- For vehicles equipped with a third row seat, be careful not to catch the feet of any passengers sitting in the third row seat, when returning the second row seats to their original position.

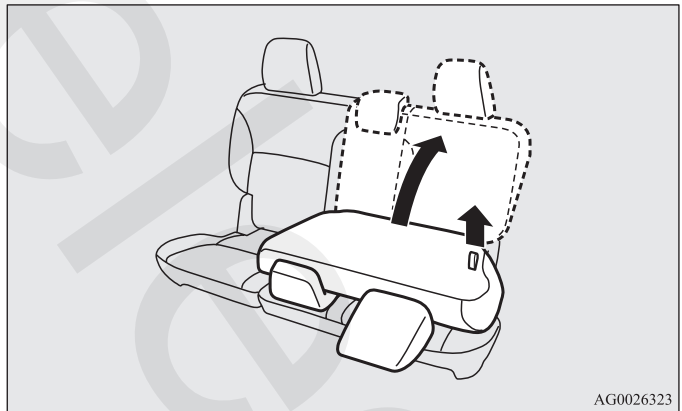


Seat and restraint systems

2. Push down on the entire seat until it locks into place with a click.



3. While pulling on the lock release strap on the back of the seatback, raise up the seatback.

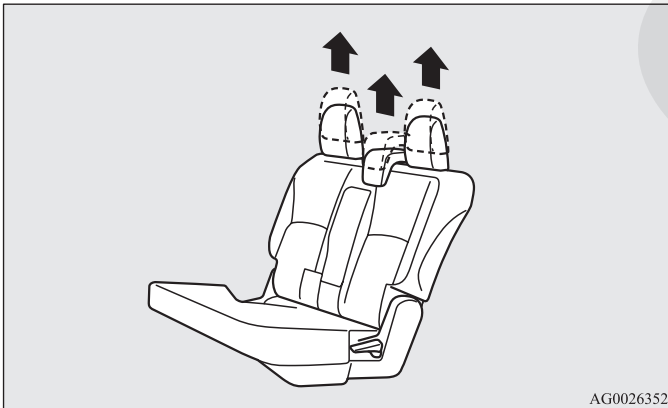


NOTE

- You can load luggage with the seatback folded down.

4. After returning the seatback to its normal position, gently shake the seat and seatback to make sure they are firmly secured.

5. Raise all the head restraints to the highest position.
Refer to “Head restraints: Adjustment of the head restraint height” on page 2-26.



AG0026352

⚠ WARNING

- After returning the seat to its normal position, raise all the head restraints to the highest position. Using the second row seat with the head restraints retracted could cause a serious head injury or death in the event of a collision or sudden braking.

Seat and restraint systems

Making a flat seat

N00404800156

The entire interior of the vehicle may be used for sleeping accommodations by removing the head restraints and fully reclining all the seats when the vehicle is stopped.

⚠ WARNING

- Never drive with passengers or cargo on the flat seat. This is extremely dangerous and can cause severe or fatal injury or death in an accident or if heavy braking is required.

⚠ CAUTION

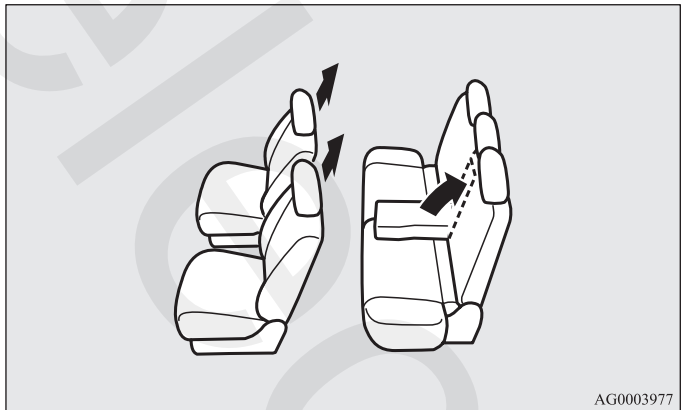
- Adjust the seats only when the vehicle is stopped in a safe place.
- Seat should be adjusted only by adults to avoid accidents.
- When sliding the seats, be careful not to catch your hand or leg.
- Do not walk around on top of the seats after they have been laid flat because the footing is uneven. It is safest to move about on your hands and knees.
- To ensure the seats are locked securely, attempt to move them back and forth.
- Do not jump on or drop heavy objects on the seat-backs.

Seat and restraint systems

⚠ CAUTION

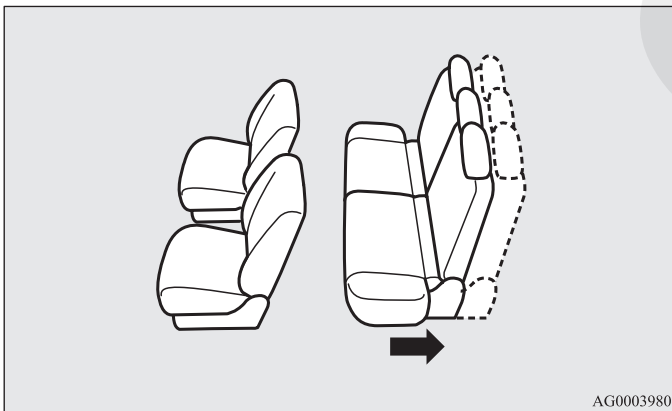
- To raise the seatback, firmly place your hand on the seatback, pull the seatback lock knob up, and raise the seatback slowly. (Refer to “To adjust the seatback” on page 2-8 and page 2-13.) Do not let children adjust the seatback.

1. Remove the head restraints from the front seats and raise the arm rest on the second row seats.
For vehicles with a cargo area cover, remove the cover. (Refer to “Head restraints” on page 2-26, “Arm rest” on page 2-11 and “Cargo area cover” on page 3-288.)

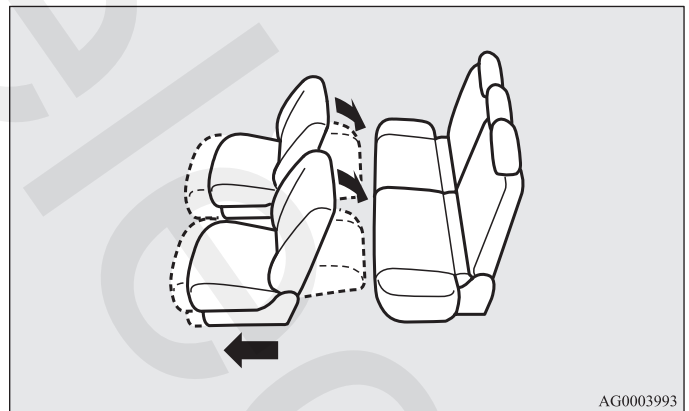


Seat and restraint systems

2. Slide the second row seats back as far as possible (vehicles with second row seat slide function).
(Refer to “To adjust the seat forward or backward” on page 2-13.)



3. Slide the front seats fully forward, then recline their seatbacks backward to achieve a flat surface.
(Refer to “To adjust the seat forward or backward” on page 2-7 and “To adjust the seatback” on page 2-8.)

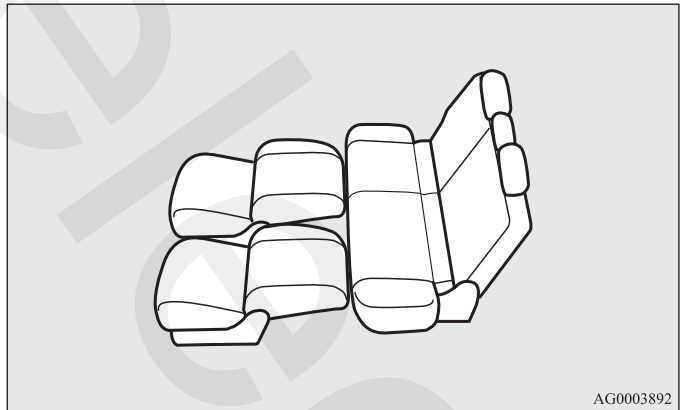
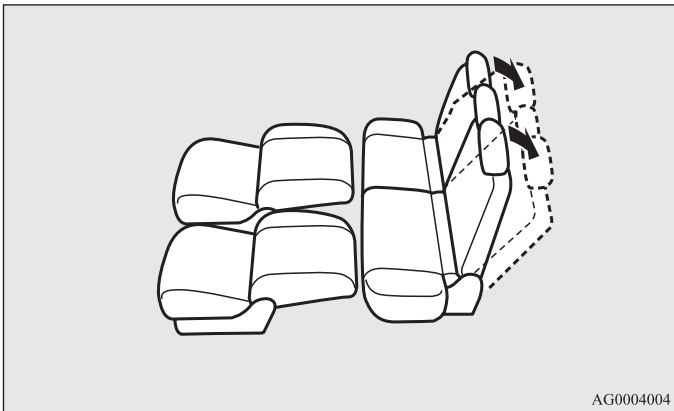


Seat and restraint systems

4. Recline the seatbacks of the second row seats.
(Refer to "To adjust the seatback" on page 2-13.)

5. The flat seat configuration is now complete.
To return the seats to the normal position, reverse the above procedure.

2



Seat belts

N00406000455

Seat belts are installed in your vehicle to help reduce the risk of injury to the driver and passenger in the event of an accident. Always use the provided seat belts. Carefully review the following information for proper seat belt usage.

▲ WARNING

- To help reduce the risk of injury or death in an accident, seat belts and child restraint systems must always be used. Refer to “Child restraint systems” on page 2-50 for additional information.
- Never use one seat belt for more than one person.
- Never carry more people in your vehicle than there are seat belts.
- Always adjust the seat belt for a snug fit.
- Always place the shoulder belt over your shoulder and across your chest. Never put it behind you or under your arm.
- Always wear the lap belt as low as possible across your hips, not around your waist.
- Never modify or alter the seat belts in your vehicle.
- To reduce the risk to the driver of serious injury or death during deployment of the driver’s airbag, always properly wear the seat belt and adjust the driver’s seat as far back as possible while maintaining a position that still enables you to fully apply the pedals, easily control the steering wheel, and safely operate the vehicle.

▲ WARNING

- To reduce the risk to a front seat passenger of serious injury or death from a deploying airbag, make sure the passenger always wears the seat belt properly, remains seated all the way back and upright in their seat, and moves the seat as far back as possible. Refer to “Supplemental Restraint System (SRS) - airbag” on page 2-61 for additional information.
- Never hold an infant or child in your arms or on your lap when riding in this vehicle even when you are wearing your seat belt. Never place any part of the seat belt you are wearing around an infant or child. Failure to follow these simple instructions creates a risk of serious injury or death to your child in the event of an accident or sudden stop.
- Children 12 years old and under should always ride in the rear seat and be properly restrained. This reduces their risk of serious injury or death in an accident, especially due to a deploying front passenger airbag. Refer to “Child restraint systems” on page 2-50 for additional information.
- Any child who is too small to properly wear a seat belt must be properly restrained in an appropriate child restraint system.
- Infants **MUST** be placed in a rear-facing child safety seat and positioned in the rear seat.
- In the event of an accident, all seat belt assemblies, including retractors and attachment hardware, should be inspected by an authorized Mitsubishi Motors dealer to determine whether replacement is necessary.

Seat and restraint systems

Seat belt instructions

N00406200444

All seats are equipped with a seat belt which uses one combined lap-and-shoulder belt with an emergency locking retractor.

This system is designed to provide both comfort and safety. It permits full extension and automatic retraction of the belts during normal vehicle operation. A sensing device inside the belt retractor is designed to lock the retractor in the event of a sudden change in the vehicle's motion.

NOTE

- For instructions on installing a child restraint system using a seat belt, refer to "Installing a child restraint system using the seat belt" on page 2-57.

1. Occupants should always sit back in their seats with their backs against the upright seatback. To reduce the risk of serious injury or death during deployment of the air bag, adjust the driver's seat as far back as possible while maintaining a position that still enables you to fully apply the pedals, easily control the steering wheel, and safely operate the vehicle. The front passenger seat should also be moved as far back as possible. Refer to "Supplemental Restraint System (SRS) - air bag" on page 2-61. Also refer to "To adjust the seat forward or backward" on page 2-7.



TA0000108

⚠ WARNING

- To reduce the risk of serious injury or death in the event of an accident or sudden stop, all seatbacks should be kept in the upright position while the vehicle is in motion.

Seat belt performance during an accident can be adversely affected if the seatbacks are reclined. The more a seatback is reclined, the more likely seat belt performance will be adversely affected. If the seat belt is not properly positioned against the body during an accident, there is increased risk you will slide under the belt and receive serious injury or death.

Seat and restraint systems

2. Grasp the latch plate and slide it up the webbing so that it easily pulls across your body.



Seat and restraint systems

3. Pull the seat belt out slowly while holding the latch plate. Push the latch plate into the buckle until you hear a “click”. Pull up on the belt to be sure the latch plate is locked securely in the buckle.

4. The lap part of the belt must always be worn low and snug across the hips. Pull up on the shoulder portion of the belt to take up any slack in the lap belt.



NOTE

- If the seat belt locks up and cannot be pulled out, pull it once with force and let it retract all the way. Then, pull the belt out slowly once again.

NOTE

- With the exception of the seat belt for the driver, the seat belts in all other seating positions are equipped with an Automatic Locking Retractor (ALR) function. If you pull the seat belt fully out of the retractor, the retractor will switch to its ALR child restraint installation function (see page 2-57).
When the ALR function has been activated, the seat belt will only retract. If this happens, let the belt fully retract, then pull the seat belt back out, repeating steps 1 through 4.

▲ WARNING

- Be sure the lap belt portion fits snugly and is worn as low as possible across the hips, not around the waist. Failure to follow this instruction will increase the risk of serious injury or death in the event of an accident.
- Be sure the seat belt webbing is not twisted when worn. Twisted webbing may adversely affect seat belt performance.

- To release the belt, press the button on the buckle and allow the belt to retract.
If the belt does not retract smoothly, pull it out and check for kinks or twists in the webbing. Then make sure it remains untwisted as it retracts.

Driver's seat belt reminder/warning light and display

N00418400313

Warning light



Warning display type 1



Warning display type 2



A tone and warning light are used to remind the driver to fasten the seat belt.

If the ignition switch is set to the "ON" position without the driver's seat belt being fastened, a warning light will come on and a tone will sound for approximately 6 seconds to remind you to fasten your seat belt.

If you then drive with the seat belt unfastened for longer than a minute from when the ignition switch was turned on, the warning light will come on and blink repeatedly and the tone will sound intermittently.

The warning light and the tone will stop after approximately 90 seconds.

Seat and restraint systems

If you then repeatedly stop and start your vehicle with the seat belt unfastened, the warning light/display and tone will remind you to fasten your seat belt every time the vehicle starts moving. You will also be reminded to fasten your seat belt in this way when you remove your seat belt while driving. The warning light and the tone go off when the seat belt is fastened.

⚠ WARNING

- In order to reduce the risk of serious injury or death in an accident, always fasten your own seat belt. Do not allow anyone to ride in your vehicle unless he or she is also seated and fastening a seat belt. Children should additionally be restrained in a secure child restraint system.

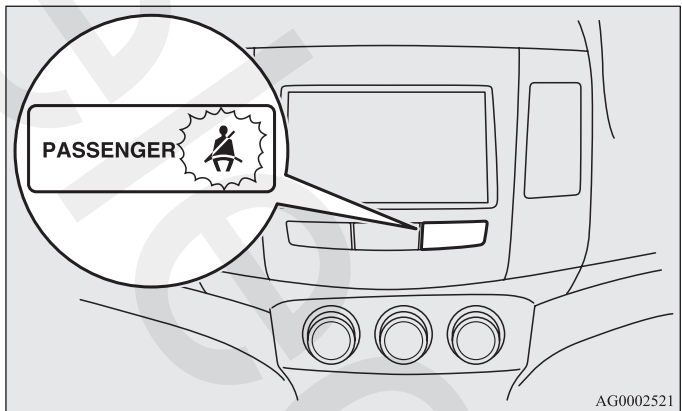
NOTE

- At the same time, “FASTEN SEAT BELT” will be displayed on the information screen in the multi-information display.

Front passenger seat belt warning light

N00418300208

The front passenger seat belt warning light is located in the instrument panel.



AG0002521

When the ignition switch is turned to the “ON” position, this indicator normally comes on and goes off a few seconds later. The light comes on when a person sits on the front passenger seat but does not fasten the seat belt. It goes off when the seat belt is subsequently fastened.

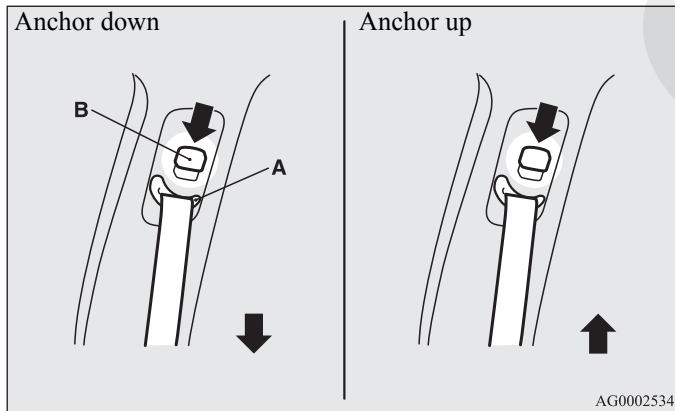
⚠ WARNING

- Do not install any accessory or sticker that makes the light difficult to see.

Adjustable seat belt shoulder anchor (front seats)

N00406300298

To move the anchor (A) down, press the lock knob (B) and slide the anchor down to the desired position.



⚠ WARNING

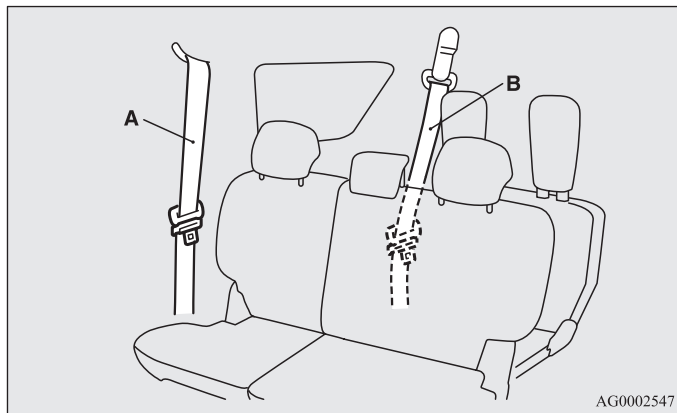
- Always adjust the shoulder belt anchor so that the shoulder belt is positioned across the center of your shoulder without touching your neck. The shoulder belt should not be able to fall off your shoulder. Failure to follow this instruction can adversely affect seat belt performance and increase the risk of serious injury or death in the event of an accident.
- Adjust the shoulder belt anchor only when the vehicle is not in motion.
- Make sure the anchor is securely locked in position after adjusting it.

Seat and restraint systems

Storing the second row and third row seat belts

N00406500098

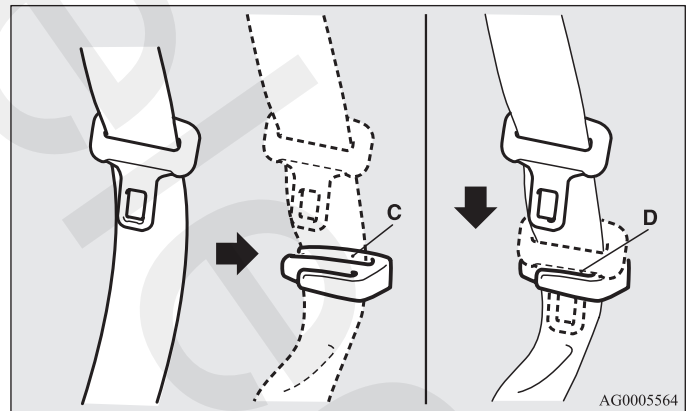
When a second row seat belt (except for the center seat belt) or a third row seat belt is not in use, store it as shown in the illustration.



A- Second row seat belt

B- Third row seat belt (Seating 7 passengers)

Store the second row and third row seat belt webbing in the clip slot (C) and the latch plate in the slot (D) as shown in the illustration.

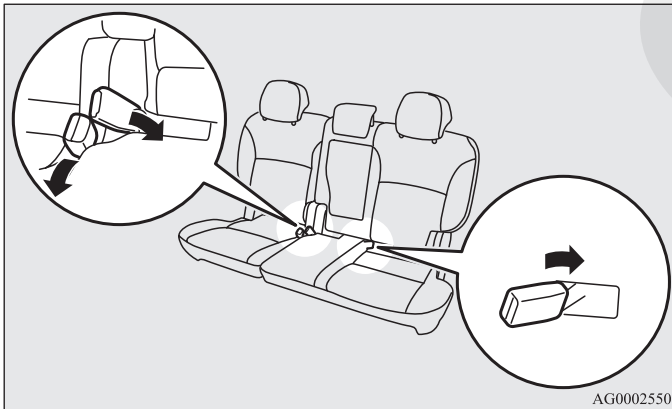


Seat and restraint systems

Storing a second row seat belt buckle

N00406600073

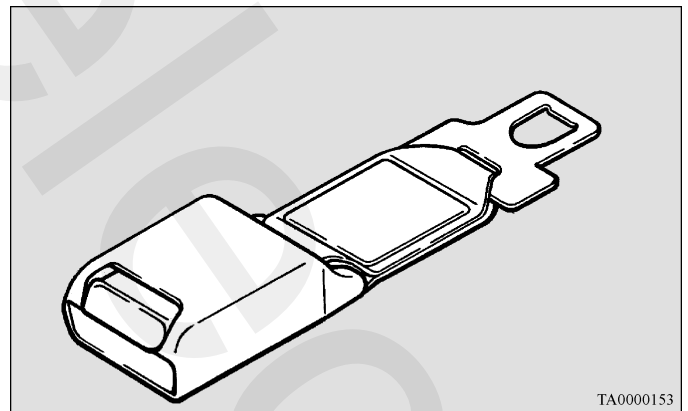
When a second row seat belt is not in use, insert the buckle in the slit on the seat cushion.



Seat belt extender

N00406700191

When your seat belt, even fully extended, is not long enough, a seat belt extender must be obtained. The extender may be used for either of the front seats.



⚠ WARNING

- The extender should only be used if the existing belt is not long enough. Anyone who can use the standard seat belt should not use an extender. Unnecessary use of an extender can adversely affect seat belt performance in an accident.
- When not required, the extender must be removed and stowed.

Seat and restraint systems

Seat belt use during pregnancy

N00406800134

Seat belts work for everyone, including pregnant women. Like all occupants, pregnant women are more likely to be seriously injured or killed in an accident if they do not wear seat belts.

⚠ WARNING

- To reduce the risk of serious injury or death to pregnant women and unborn children in an accident, pregnant women should always wear a seat belt. The lap portion of the seat belt should be worn snug and low across the hips and below the rounding. Consult your doctor if you have any additional questions or concerns.

2

Seat belt pre-tensioner and force limiter systems

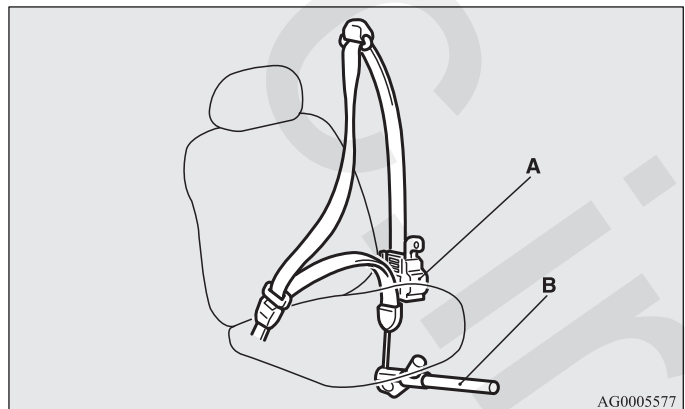
N00417700582

The driver's and front passenger's seats each have a seat belt equipped with a pre-tensioner system.

Pre-tensioner system

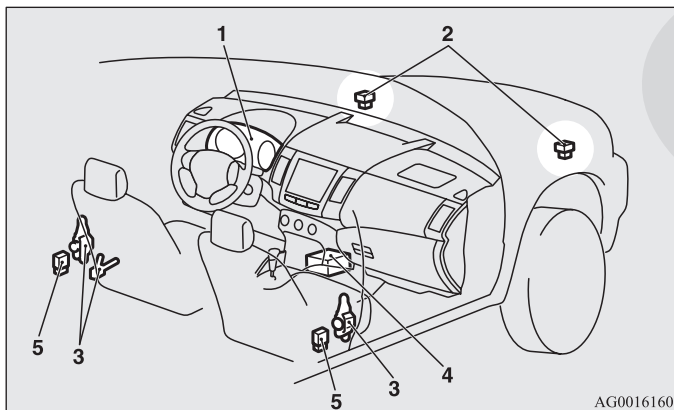
The driver and front passenger seat belts are equipped with a seat belt pre-tensioner system. In a moderate-to-severe frontal or side collision or when a rollover or overturning of the vehicle is detected, the pre-tensioner system operates simultaneously with the deployment of the front airbags, side airbags or curtain airbags.

The seat belt pre-tensioners are located in the driver's and front passenger's seat belt retractors (A) and in the driver seat's final anchor (B). When activated, the pre-tensioners quickly draw back seat belt webbing and increase seat belt performance.



AG0005577

The seat belt pre-tensioner system includes the following components:



- 1- SRS warning light
- 2- Front impact sensors
- 3- Seat belt pre-tensioner
- 4- Airbag control unit
- 5- Side impact sensors

The airbag control unit monitors the readiness of the electronic parts of the system whenever the ignition switch is in the "ON" or "START" position. These include all of the items listed above and all related wiring.

The seat belt pre-tensioners will operate only when the ignition switch is in the "ON" or "START" position.

Seat and restraint systems

When the seat belt pre-tensioners activate, some smoke is released and a loud noise will be heard. The smoke is not harmful, but care should be taken not to intentionally inhale it, as it may cause some temporary irritation to people with respiratory problems.

The pre-tensioners activate whenever a moderate-to-severe impact is applied to the front or side of the vehicle, even if the seat belt is not being worn. The seat belt pre-tensioners may not activate in certain collisions, even though the vehicle may appear to be severely damaged. Such non-activation does not mean that something is wrong with the seat belt pre-tensioner system, but rather that the collision forces were not severe enough to activate the system.

⚠ WARNING

- The seat belt pre-tensioner system is designed to work only once. After the seat belt pre-tensioners have been activated, they will not work again. They must promptly be replaced and the entire seat belt pre-tensioner system inspected by an authorized Mitsubishi Motors dealer.

Seat and restraint systems

SRS warning

N00408700081

This warning light tells you if there is a problem involving the SRS airbags and the seat belt pre-tensioner system. Refer to “SRS warning light/display” on page 2-71.

Force limiter system

N00408900126

In the event of an accident, the seat belt force limiter system will help reduce the force applied to the driver and front seat passenger.

Child restraint systems

N00407100684

When transporting infants or small children in your vehicle, an appropriate child restraint system must always be used. This is required by law in the U.S. and Canada.

Child restraint systems specifically designed for infants and small children are offered by several manufacturers. Choose only a child restraint system with a label certifying that it complies with Federal Motor Vehicle Safety Standard 213 (FMVSS 213) or Motor Vehicle Restraint Systems and Booster Cushions Safety Regulations (RSSR). Look for the manufacturer’s statement of compliance on the box and child restraint system itself.

The child restraint system should be appropriate for your child’s weight and height, and should properly fit your vehicle’s seat.

For detail information, refer to the instruction manual accompanying the child restraint system.

Guidelines for child restraint system selection

All children should be properly restrained in a restraint device that offers the maximum protection for their size and age.

Be sure to check local, state, or provincial requirements for child size and age that may vary from the recommendations listed below.

- Children less than 1 year old and children less than 20 pounds (9 kg) **MUST** ride in a rear-facing child safety seat that **MUST ONLY** be used in the second row seat.
- Children older than 1 year of age and who weigh less than 40 pounds (18 kg) or who are less than 40 inches (100 cm) tall must be in a forward-facing restraint used only in the rear seat.

Seat and restraint systems

- Children who weigh more than 40 pounds (18 kg) or who are more than 40 inches (100 cm) tall, regardless of age, should use a suitable child seat or a booster seat (including a booster cushion) in the rear seat until the vehicle's lap-and-shoulder belt fits them properly.

⚠ WARNING

- All children must be seated in the rear seat, and properly restrained. Accident statistics show that children of all sizes and ages are safer when properly restrained in the rear seat, rather than in the front seat.
- Any child who is too large to use a child restraint system should ride in the rear seat and wear the lap-and-shoulder belt properly. The shoulder belt must be positioned over the shoulder and across the chest, not across their neck, and with the lap belt positioned low on the child's hips, not across their stomach. If necessary, a booster seat (including a booster cushion) should be used to help achieve a proper seat belt fit. Follow the booster seat (including a booster cushion) manufacturer's instructions. Only use a booster seat (including a booster cushion) that is certified as complying with Federal Motor Vehicle Safety Standards or Motor Vehicle Restraint Systems and Booster Cushions Safety Regulations.

⚠ WARNING

- Never hold an infant or child in your arms or on your lap when riding in this vehicle, even when you are wearing your seat belt. Never place any part of the seat belt you are wearing around an infant or child. Failure to follow these simple instructions creates a risk of serious injury or death to your child in the event of an accident or sudden stop.



Seat and restraint systems

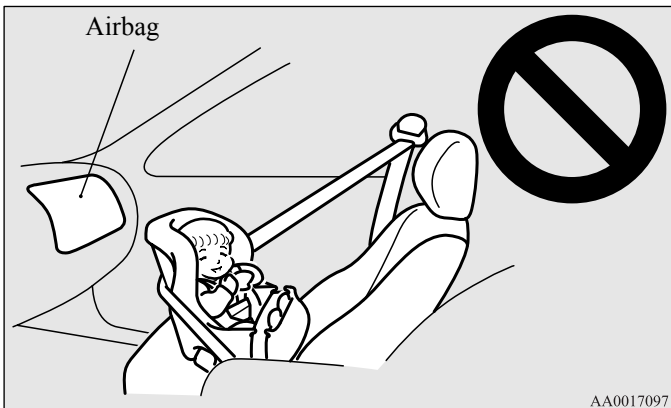
⚠ WARNING

- Your vehicle is also equipped with a front passenger airbag. Never put **REAR-FACING CHILD RESTRAINT SYSTEMS** or **INFANT RESTRAINT SYSTEMS** in the front passenger seat. This places the infant too close to the passenger airbag. During deployment of that airbag, the infant can be seriously injured or killed. Rear-facing child restraint systems or infant restraint systems must only be used in the rear seat.

⚠ WARNING

- **FRONT-FACING CHILD RESTRAINT SYSTEMS** should be used in the rear seat whenever possible. If one must be used in the front passenger seat, move the seat to the most rearward position and make sure the child stays in the child restraint system, properly restrained. Failure to follow these instructions could result in serious injury or death to the child.

2



Seat and restraint systems

⚠ WARNING

- It is important to use an approved rear-facing infant restraint until the infant is one year old (unless the infant outgrows the seat sooner). This allows the infant's neck and spine to develop enough to support the weight of their head in the event of an accident.
- When installing a child restraint system, follow the instructions provided by the manufacturer and follow the directions in this manual. Failure to do so can result in serious injury or death to your child in an accident or sudden stop.
- After installation, push and pull the child restraint system back and forth, and side to side, to see that it is firmly secured. If the child restraint system is not installed securely, it may cause injury to the child or other occupants in the event of an accident or sudden stop.
- When not in use, keep your child restraint system secured with the seat belt, or remove it from the vehicle, in order to prevent it from being thrown around inside the vehicle during an accident.

NOTE

- Before purchasing a child restraint system, try installing it in the rear seat to make sure there is a good fit. Because of the location of the seat belt buckles and the shape of the seat cushion, it may be difficult to securely install some manufacturer's child restraint systems.

If the child restraint system can be pulled forward or to either side easily on the seat cushion after the seat belt has been tightened, choose another manufacturer's child restraint system.

Depending on the seating position in the vehicle and the child restraint system that you have, the child restraint system can be attached using one of the following 2 methods:

- Attach to the lower anchorage in the second row seat ONLY if the child restraint system is compatible with the LATCH system (See page 2-54).
- Attach to the seat belt (See page 2-57).

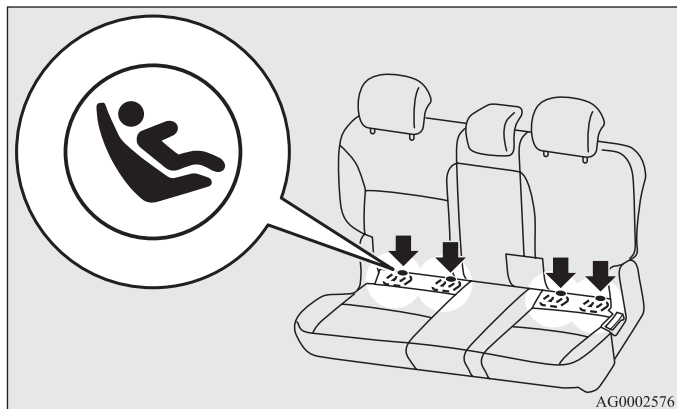
Seat and restraint systems

Installing a child restraint system using the LATCH (Lower Anchors and Tethers for children) system

N0041880085

Lower anchor locations

The outboard seating positions in the second row seat of your vehicle are equipped with lower anchors for attaching child restraint systems compatible with the LATCH system.



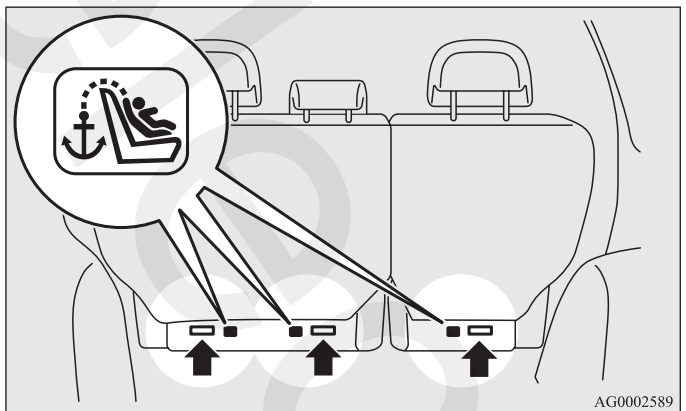
NOTE

- The symbols on the seatback show the location of the lower anchor points.

Tether anchor locations

N0041890099

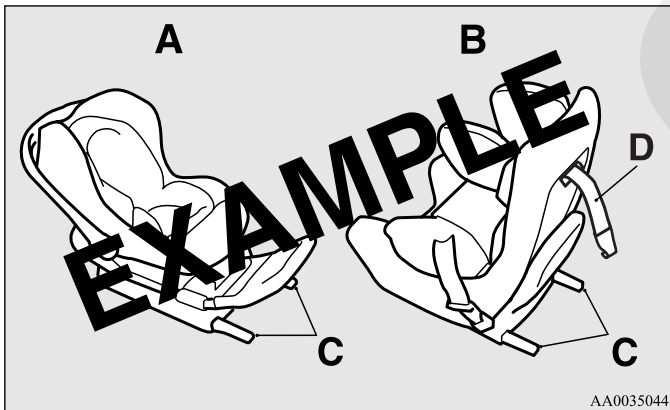
Your vehicle has 3 attachment points on the backside of the second row seats. These are for securing a child restraint system tether strap to each of the 3 rear seating positions in your vehicle.



Seat and restraint systems

Examples of child restraint systems compatible with the LATCH system

N00419000198



AA0035044

- A- Rear-facing child restraint system
 - B- Front-facing child restraint system
 - C- Child restraint system lower anchor connectors
 - D- Tether strap
- (These are only examples.)

Using the LATCH system

N00419100173

1. In order to securely fasten the tether strap, remove the head restraint from the location where you wish to install the child restraint system.

Seat and restraint systems

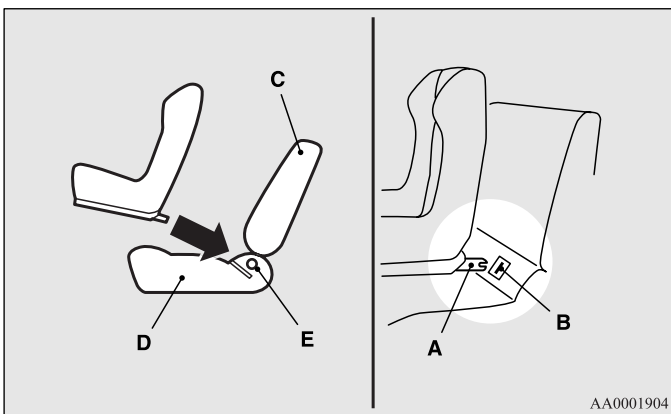
2. Push the anchor connectors on the child restraint system (A) into the slits (B) in accordance with the instructions provided by the child restraint system manufacturer. Remember, the lower anchors (E) provided with your vehicle are designed to secure suitable child restraint systems compatible with the LATCH system in the outboard positions of the second row seats only. The anchor connectors are NOT designed to secure a suitable child restraint system in the center position of the second row seat.

NOTE

- In order to secure a child restraint system compatible with the LATCH system, use the lower anchor points in the outboard positions of the rear seat. It is not necessary to use the vehicle's seat belt. The vehicle's seat belt, however, **MUST** be used to secure a child restraint system in the center position of the second row seat.

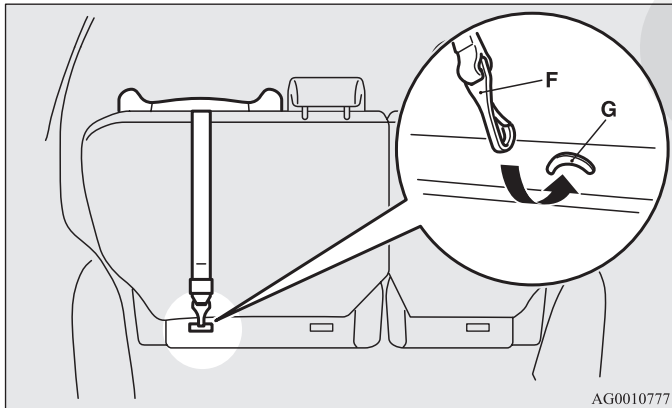
⚠ WARNING

- If there is any foreign material in or around the lower anchors, remove it before installing the child restraint system. Also, make sure the seat belt is away from, not looped through or otherwise interfering with, the child restraint system. If foreign matter is not removed and/or the seat belt interferes with the child restraint system, the child restraint system will not be secured properly, could detach and move forward in the event of sudden braking or an accident, and could result in injury to the child or other vehicle occupants.
- When the vehicle is moving, do not adjust the seat where the child restraint system is installed.



- A- Connector
- B- Slit
- C- Vehicle seatback
- D- Vehicle seat cushion
- E- Lower anchor

3. Latch the tether strap hook (F) of the child restraint system to the tether anchor bar (G) and tighten the tether strap so it is securely fastened.



4. Push and pull the child restraint system in all directions to be sure it is firmly secured.

⚠ WARNING

- Child restraint system tether anchors are designed only to withstand loads from correctly fitted child restraint systems. Under no circumstances are they to be used for adult seat belts, or harnesses, or for attaching other items or equipment to the vehicle.

Seat and restraint systems

Installing a child restraint system using the seat belt (with emergency/automatic locking mechanism)

N00407300383

With the exception of the driver, the seat belt in all other seating positions can be converted from normal Emergency Locking Retractor (ELR) mode, to Automatic Locking Retractor (ALR) mode. This means that when you pull the seat belt fully out of the retractor, the retractor will switch to its ALR child restraint installation function. Always use the ALR child restraint installation function when you install a child restraint system using the seat belt.

Children 12 years old and under should always be restrained in the rear seat, whenever possible, although the front passenger seat belt can also be converted to ALR mode.

⚠ WARNING

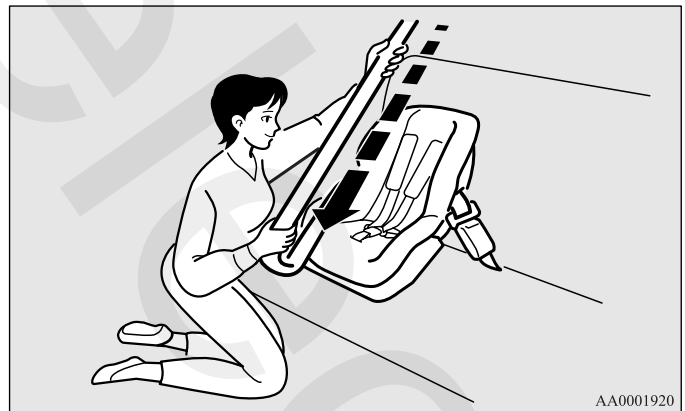
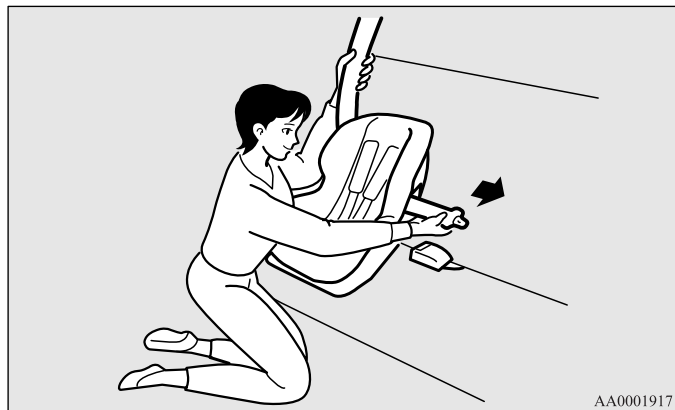
- When you install a child restraint system using the seat belt, always make sure the retractor has been switched to the ALR child restraint installation function. The ALR function will keep the child restraint system tightly secured to the seat. Failure to convert the retractor to the ALR function may allow the child restraint system to move forward during sudden braking or an accident, resulting in serious injury or death to the child or other occupants.

Seat and restraint systems

Installation

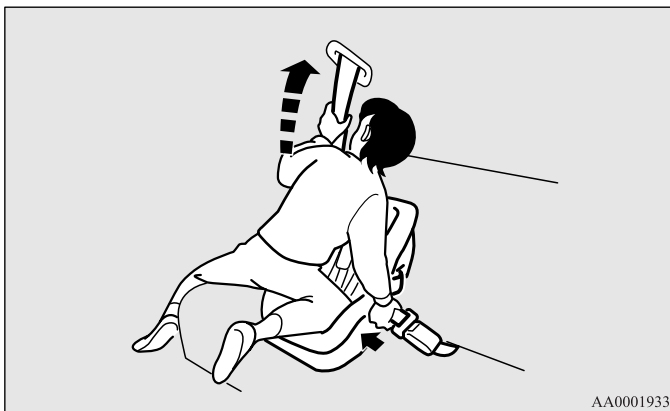
1. Place the child restraint system in the rear seating position.
2. Route the seat belt through the child restraint system according to the instructions provided by the child restraint system manufacturer. Then insert the seat belt latch plate into the buckle. Make sure you hear a “click” when you insert the latch plate into the buckle.

3. To activate the ALR child restraint installation function, slowly pull the shoulder part of the belt all the way out of the retractor until it stops. Then let the belt feed back into the retractor.



4. After the belt has retracted, tug on it. If the belt is in the ALR function, you will not be able to pull it out. If the webbing can be pulled out from retractor, the ALR function has not been activated and you will need to repeat steps 3 and 4.

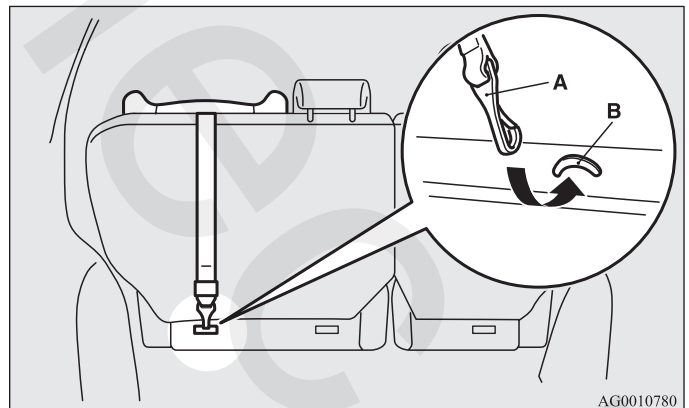
5. After confirming that the belt is locked, grab the shoulder part of the belt near the buckle and pull up to remove any slack from the lap part of the belt allowing the slack to feed into the retractor. Remember, if the lap belt portion is not tight, the child restraint system will not be secure. It may help to put your weight on the child restraint system and/or push on its seatback while pulling up on the belt (See illustration).



Seat and restraint systems

If your child restraint system requires the use of a tether strap, fasten the tether strap in accordance with the following procedures.

6. Remove the head restraint from the location in which you wish to install a child restraint system.
7. Latch the tether strap hook (A) of the child restraint system to the tether anchor bar (B) and tighten the tether strap so it is securely fastened.



⚠ WARNING

- Child restraint system tether anchors are designed only to withstand loads from correctly fitted child restraint systems. Under no circumstances are they to be used for adult seat belts, or harnesses, or for attaching other items or equipment to the vehicle.

Seat and restraint systems

8. Before putting your child in the restraint, push and pull the restraint in all directions to be sure it is firmly secure. Do this before each use. If the child restraint system is not firmly secure, repeat steps 1 through 7.
9. To remove a child restraint system from the vehicle and deactivate the ALR mode, remove the child from the restraint. Unlatch the buckle. Then remove the belt from the restraint and let the belt fully retract.

Children who have outgrown child restraint systems

N00407600520

Children who have outgrown a child restraint system should be seated in the rear seat and wear the seat belt. If the shoulder belt crosses their face or neck, and/or the lap belt crosses their stomach, a commercially available booster seat (including a booster cushion) must be used, to raise the child so that the shoulder belt crosses their shoulder and the lap belt remains positioned low across their hips. The booster seat (including a booster cushion) should fit the vehicle seat and have a label certifying compliance with Federal Motor Vehicle Safety Standards or Motor Vehicle Restraint Systems and Booster Cushions Safety Regulations.

⚠ WARNING

- Any child who is too small to properly wear a seat belt must be properly restrained in an appropriate child restraint system, to reduce their risk of serious injury or death in an accident.
- A child should never be left unattended in, or unsupervised around, your vehicle. When you leave the vehicle, always take the child out as well.
- Children can die from heat stroke if left or trapped inside the vehicle, especially on hot days.
- Keep your vehicle locked when not in use. Keep your vehicle keys away from children.

Maintenance and inspection of seat belts

N00407000221

The seat belt webbing may be cleaned with mild soap or detergent solution. Do not use an organic solvent. Allow the belts to dry in the shade. Do not allow them to retract until completely dry. Do not attempt to bleach or re-dye the belts. The color may rub off and the webbing strength may be affected.

Regularly check your seat belt buckles and their release mechanisms for positive engagement and release of the latch plate. Check the retractors for automatic locking when in the Automatic Locking Retractor function.

The entire seat belt assembly should be replaced if the webbing shows any obvious cuts, tears, increase in thickness in any section of the webbing from broken fibers, or severe fading from sunlight. All of these conditions indicate a weakening of the belt, which may adversely affect seat belt performance in an accident.

▲ WARNING

- Do not attempt to repair or replace any part of the seat belt assemblies. This work should be done by an authorized Mitsubishi Motors dealer. Failure to have an authorized Mitsubishi Motors dealer perform the work could reduce the effectiveness of the belts and could result in a serious injury or death in an accident.

Seat and restraint systems

Supplemental Restraint System (SRS) - airbag

N00407700635

This vehicle is equipped with a Supplemental Restraint System (SRS), which includes airbags for the driver and passengers.

The SRS front airbags are designed to supplement the primary protection of the driver and front passenger seat belt systems by providing those occupants with protection against head and chest injuries in certain moderate to severe frontal collisions. The SRS front airbags, together with sensors at the front of the vehicle and sensors attached to the front seats, form an advanced airbag system.

The SRS side airbags and the curtain airbags are also designed to supplement the seat belts. The SRS side airbags provide the driver and front passenger with protection against chest injuries by deploying the bag on the side impacted in moderate to severe side impact collisions. The SRS curtain airbags provide the driver and passengers on the front seat and second row outboard seat with protection against head injuries by deploying a bag on the side impacted in moderate to severe side impact collisions and by deploying both bags when a rollover is detected.

The SRS airbags are NOT a substitute for use of the seat belts. For maximum protection in all types of accidents, seat belts must ALWAYS be worn by everyone who drives or rides in this vehicle (with infants and small children in an appropriate child restraint system in the rear seat, and older children buckled in the rear seat). Refer to "Child restraint systems" on page 2-50.

Seat and restraint systems

▲ WARNING

- **IT IS VERY IMPORTANT TO ALWAYS WEAR YOUR SEAT BELT PROPERLY EVEN WITH AN AIRBAG.**

- Seat belts help keep the driver and passengers properly positioned. This reduces the risk of injury in all collisions, and reduces the risk of serious injuries or death when the airbags inflate.

During sudden braking just before a collision, an unrestrained or improperly restrained driver or front passenger can move forward into direct contact with, or within close proximity to, the airbag when it begins to inflate.

The beginning stage of airbag inflation is the most forceful and can cause serious injuries or death if the occupant comes in contact with the airbag at this time.

- Seat belts reduce the risk of injury in rear impact collisions, and in lower-speed frontal collisions because the airbags are not designed to inflate in those situations.
- Seat belts reduce the risk of being thrown from your vehicle in a collision or rollover.

▲ WARNING

- **IT IS VERY IMPORTANT TO BE PROPERLY SEATED.**

- A driver or front passenger sitting too close to the steering wheel or instrument panel during airbag deployment can be seriously injured or killed.

- Airbags inflate very quickly and with great force. If the driver and front passenger are not properly seated and restrained, the airbag may not provide the proper protection, and can cause serious injuries or death when it inflates.

- To reduce the risk to the driver of serious injury or death due to a deploying driver's airbag, always properly wear your seat belt and adjust the driver's seat as far back as possible, maintaining a position that still allows the driver to have good control of the steering wheel, brake, accelerator, and other vehicle controls.

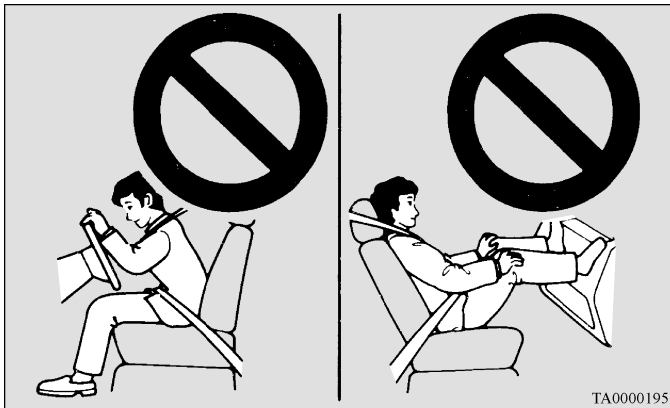
- To reduce the risk to the front passenger of serious injury or death from a deploying passenger's airbag, make sure the passenger always wears the seat belt properly, remains seated upright and all the way back in the seat, and positions the seat as far back as possible.

- Seat all infants and children in the rear seat, properly restrained in an appropriate child restraint system.

Seat and restraint systems

⚠ WARNING

- Airbags inflate very quickly and with great force. Do not sit on the edge of the seat or lean your head or chest close to the steering wheel or the instrument panel.
- Do not put your feet or legs on or against the instrument panel.



⚠ WARNING

- Infants and small children should never ride unrestrained, or lean against the instrument panel. They should never ride held in your arms or on your lap. They can be seriously injured or killed in an accident, especially when the airbags inflate. Seat all infants and children in the rear seat, properly restrained in an appropriate child restraint system. Refer to "Child restraint systems" on page 2-50.



Seat and restraint systems

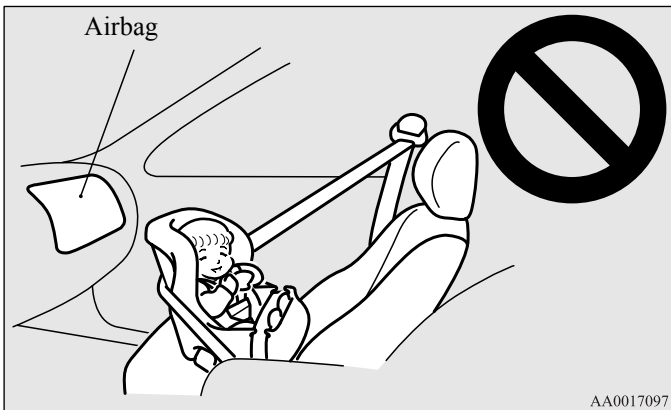
⚠ WARNING

- NEVER put REAR-FACING CHILD RESTRAINT SYSTEMS or INFANT RESTRAINT SYSTEMS in the front passenger seat. This places the infant too close to the passenger airbag. During deployment of that airbag, the infant can be seriously injured or killed.
Rear-facing child restraint systems or infant restraint systems must only be used in the second row seat.

2

⚠ WARNING

- FRONT-FACING CHILD RESTRAINT SYSTEMS should be used in the rear seat whenever possible. If they must be used in the front passenger seat, move the seat to the most rearward position and make sure the child stays in the child restraint system, properly restrained. Failure to follow these instructions could result in serious injury or death to the child.



⚠ WARNING

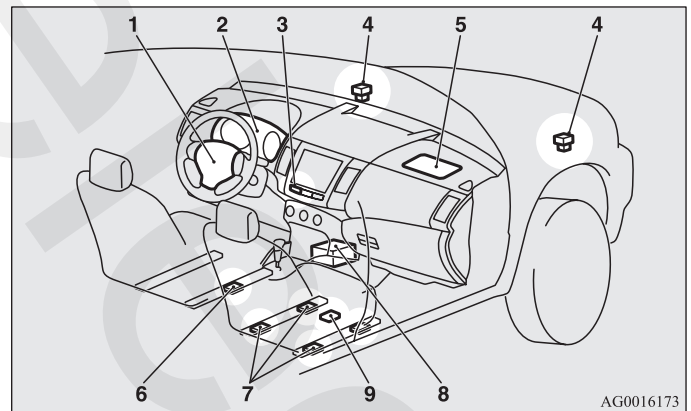
- Older children should be seated in the rear seat with their seat belt properly worn, and with an appropriate booster seat (including a booster cushion) if needed.
Refer to “Children who have outgrown child restraint systems” on page 2-60.

Seat and restraint systems

How the Supplemental Restraint System works

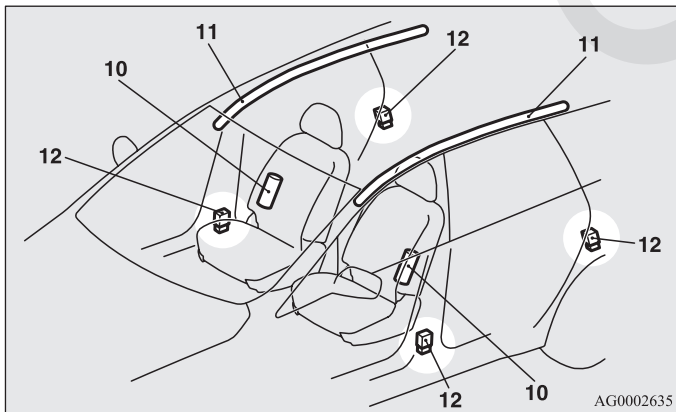
N00407800434

The SRS includes the following components:



- 1- Airbag module (Driver)
- 2- SRS warning light
- 3- Passenger's airbag off indicator
- 4- Front impact sensors
- 5- Airbag module (Passenger)
- 6- Driver's seat position sensor
- 7- Passenger's seat weight sensors
- 8- Airbag control unit
- 9- Weight control unit

Seat and restraint systems



- 10- Side airbag modules
- 11- Curtain airbag modules
- 12- Side impact sensors

The airbag control unit monitors the readiness of the electronic parts of the system whenever the ignition switch is in the “ON” or “START” position. These include all of the items listed above and all related wiring.

The airbags will operate only when the ignition switch is in the “ON” or “START” position.

When the impact sensors detect a sufficient front or side impact to deploy the airbag(s), the appropriate airbag(s) will be deployed.

When the airbag control unit detects rollover of the vehicle, curtain airbags will be deployed.

When airbags deploy, some smoke is released accompanied by a loud noise. The smoke is not harmful, but do not intentionally inhale the smoke as it may cause temporary irritation to people with respiratory problems.

An inflated airbag will deflate quickly, so you may not even notice that the airbag was inflated.

Airbag inflation does not prevent the driver from seeing or being able to steer the vehicle, and does not prevent people from leaving the vehicle.

CAUTION

- **Airbags inflate very quickly and with great force. In certain situations, contact with an inflating airbag may cause small cuts, abrasions, and bruises.**

Event Data Recording

N00418600230

This vehicle is equipped with an event data recorder (EDR). The main purpose of an EDR is to record, in certain crash or near crash-like situations, such as an airbag deployment or hitting a road obstacle, data that will assist in understanding how a vehicle's systems performed.

The EDR is designed to record data related to vehicle dynamics and safety systems for a short period of time, typically 30 seconds or less.

The EDR in this vehicle is designed to record such data as:

- How various systems in your vehicle were operating;
- Whether or not the driver and passenger safety belts were buckled/fastened;
- How far (if at all) the driver was depressing the accelerator and/or brake pedal; and,
- How fast the vehicle was traveling.

These data can help provide a better understanding of the circumstances in which crashes and injuries occur.

NOTE

- EDR data are recorded by your vehicle only if a non-trivial crash situation occurs; no data are recorded by the EDR under normal driving conditions and no personal data (e.g., name, gender, age, and crash location) are recorded. However, other parties, such as law enforcement, could combine the EDR data with the type of personally identifying data routinely acquired during a crash investigation.

To read data recorded by an EDR, special equipment is required, and access to the vehicle or the EDR is needed. In addition to the vehicle manufacturer, other parties, such as law enforcement, that have the special equipment, can read the information if they have access to the vehicle or the EDR.

Seat and restraint systems

Driver's seat position sensor

N00417900177

The driver's seat position sensor is attached to the seat rail and provides the airbag control unit with information on the seat's fore-aft position. The airbag control unit controls deployment of the driver's front airbag in accordance with the information it receives from this sensor.

If there is a problem involving the driver's seat position sensor, the SRS warning light in the instrument panel will come on. Refer to "SRS warning light/display" on page 2-71.

Passenger's seat weight sensors

N00418000289

The passenger's seat weight sensors are attached to the seat rails and provide the airbag control unit with information regarding the weight on the front passenger seat. The airbag control unit controls deployment of the passenger's front airbag in accordance with the information it receives from this sensor.

The passenger's front airbag will not deploy in an impact when the weight on the seat is sensed to be less than approximately 66 pounds (30 kg). In this case, the passenger airbag off indicator will come on.

Refer to "Passenger's airbag off indicator" on page 2-70.

If there is a problem involving the passenger seat weight sensors, the SRS warning light in the instrument panel will come on. Refer to "SRS warning light/display" on page 2-71.

2

⚠ WARNING

- If the SRS warning light or warning display comes on, have the vehicle inspected by an authorized Mitsubishi Motors dealer as soon as possible.
- Please observe the following instructions to ensure that the driver's seat position sensor can operate correctly.
 - Adjust the seat to the correct position, and sit well back against the seatback.
Refer to "Front seats" on page 2-5.
 - Do not recline the seatback more than necessary when driving.
 - Do not place metallic objects or luggage under the front seat.
- If the vehicle is involved in a severe impact, have the SRS sensors inspected by an authorized Mitsubishi Motors dealer as soon as possible.

⚠ WARNING

- If any of the following conditions occur, you should have your vehicle inspected by an authorized Mitsubishi Motors dealer as soon as possible:
 - The SRS warning light does not initially come on when the key is turned to the "ON" or "START" position.
 - The SRS warning light does not go out after several seconds.
 - The SRS warning light comes on while you are driving.

▲ WARNING

- To ensure that the passenger's seat weight sensors can correctly sense the weight being applied to the seat, observe the following instructions. Failure to follow these instructions can adversely affect the performance of the passenger's airbag system.
 - Adjust the seat to the correct position, and sit well back against the seatback.
Refer to "Front seats" on page 2-5.
 - Do not recline the seatback more than necessary.
 - Never have more than one person (adult or child) sitting on the seat.
 - Do not place anything between the seat and the floor console.
 - Do not hang anything on the front passenger's seatback.
 - Do not remove the head restraints.
 - When attaching a child restraint system, secure it firmly.
 - Do not place luggage or other objects on the seat.
 - Do not use a seat cover or a cushion.
 - Do not remove the seats and seat belts.
 - Do not modify or replace the seat and seat belt.
 - Do not place luggage or other objects under the seat.
 - Do not place the floor mat on the seat rails.
 - Do not expose the sensors to liquids or vapors.
 - Do not subject the sensors to shock.
 - Do not allow rear-seat occupants to push the front passenger seat with their feet or force the front passenger seat upward.

▲ WARNING

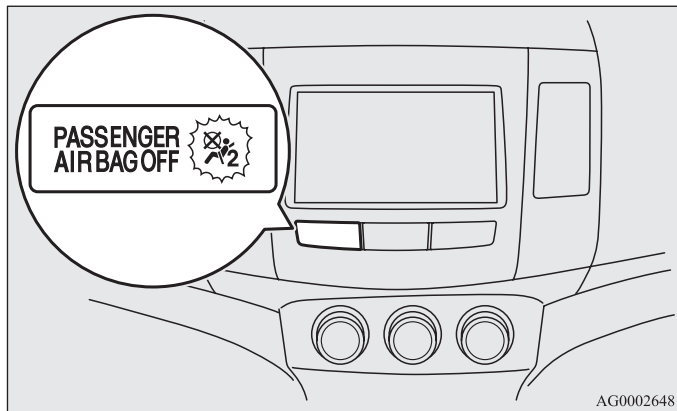
- Do not allow rear-seat occupants to grasp the front passenger's seatback or put their arms around it.
- When attaching a child restraint system in the rear seat, make sure it does not interfere with the front seat.
- If the vehicle is involved in a severe impact, have the SRS sensors inspected by an authorized Mitsubishi Motors dealer as soon as possible.

Seat and restraint systems

Passenger's airbag off indicator

N00418100293

The passenger airbag off indicator is located in the instrument panel.



The indicator normally comes on when the ignition switch is turned to the "ON" position and goes out a few seconds later. In the following situations, the indicator will stay on to show that the passenger front airbag is not operational.

- The passenger's seat weight sensors sense a weight of less than approximately 66 pounds (30 kg) on the front passenger seat.
- The front passenger's seat is not occupied.

When the weight applied to the front passenger seat is sensed to be approximately 66 pounds (30 kg) or greater, the indicator goes out to show that the passenger's front airbag is operational.

⚠ WARNING

- If any of the following conditions occur, you should have the airbag system in your vehicle inspected by an authorized Mitsubishi Motors dealer as soon as possible:
 - The passenger's airbag off indicator comes on when an adult is sitting on the front passenger seat.
 - The passenger's airbag off indicator does not come on when the front passenger seat is not occupied.
 - The passenger's airbag off indicator does not come on when the ignition switch is turned to the "ON" position.
 - The passenger's airbag off indicator comes on and goes out repeatedly.
- Do not attach any accessory to your vehicle that makes the passenger's airbag off indicator difficult or impossible to see. You must be able to see the passenger's airbag off indicator and verify the status of the passenger's airbag system.

SRS warning light/display

N00408300511

Warning light



Warning display type 1



Warning display type 2



Under normal conditions, the warning light comes on when the ignition switch is turned to the “ON” position and goes off a few seconds later.

If there is an error in the system, the warning light will come on and the warning display will appear on the information screen in the multi-information display.

The warning light will also come on and remain on when the SRS airbags and the pre-tensioner system have been activated.

The warning light/display is used for both SRS airbag warnings and pre-tensioner system warnings.

⚠ WARNING

- There may be a system error if the warning light/display appears as indicated. In such cases, an SRS airbag or a seat belt equipped with pre-tensioner system may not function properly in a collision. Have your vehicle checked by an authorized Mitsubishi Motors dealer:
 - Even when the ignition switch is in the “ON” position, the warning light does not come on or it remains on a few seconds later
 - When warning light comes on while driving
 - When warning display appears while driving

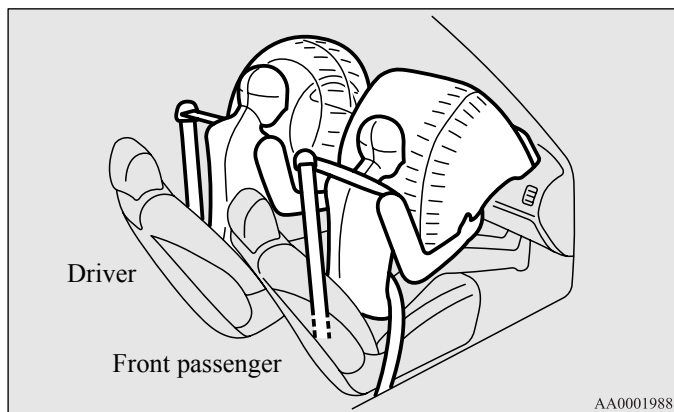
Seat and restraint systems

Driver's and passenger's front airbag system

N00407900305

The driver's airbag is located under the padded cover in the middle of the steering wheel. The front passenger's airbag is contained in the instrument panel above the glove compartment. The driver's airbag and the front passenger's airbag are designed to deploy at the same time. However, the front passenger's airbag does not deploy when the front passenger seat is not occupied or when the weight sensor in the front passenger seat senses a weight on the seat of less than approximately 66 pounds (30 kg).

2

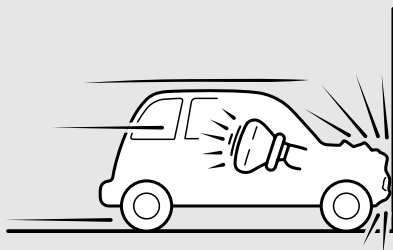


Deployment of front airbags

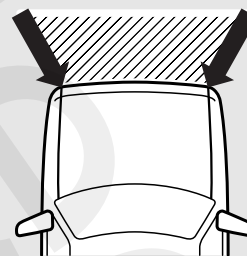
N00408000547

The front airbags ARE DESIGNED TO DEPLOY when ...

Head-on collision with a solid wall at speeds of approx. 15 mph (25 km) or higher



Moderate to severe frontal impact within the shaded area between the arrows



AA1000050

The front airbags are designed to deploy when the vehicle suffers a moderate to severe frontal impact. Typical situations are shown in the illustration above.

The front airbags are designed to deploy only in certain moderate to severe frontal collisions within the shaded area between the arrows in the illustration to the right.

The front airbags will deploy if the impact to the vehicle's main structure is above a specific threshold level. The threshold level is approximately 15 mph (25 km/h) for a frontal collision straight into a solid flat wall that does not bend or deform. If the impact to the vehicle's main structure is below this threshold level, the front airbags may not deploy. This threshold level may also be higher if the vehicle hits something that

absorbs the impact, either by bending or moving (for example, another stationary vehicle, a pole or a guard rail).

The beginning stage of airbag inflation is the most forceful and can cause serious injury or death if you are close to the deploying airbag. Accordingly, it is important that you always wear the available seat belt.

Seat and restraint systems

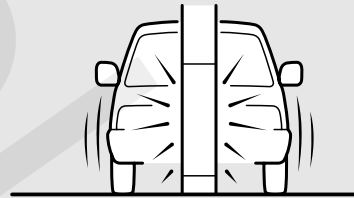
The front airbags MAY NOT DEPLOY when ...

In certain types of front collisions, the front airbags may not deploy, even if the deformation of the body seems to be large, because the vehicle's body structure is designed to absorb the impact and deform in order to help protect the occupants. Some typical situations where the front airbags may not deploy are shown in the illustrations.

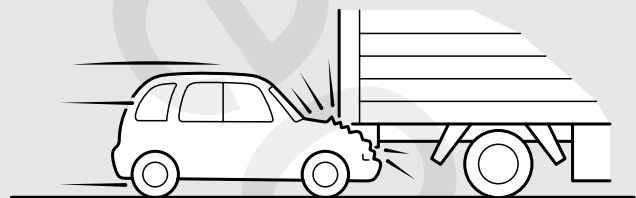
Because the front airbags do not protect the occupant in all types of frontal collisions, be sure to always wear your seat belts properly.

2

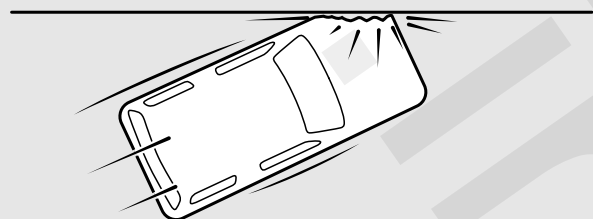
Collision with a utility pole, tree or other narrow object



Collision where the vehicle slides under the rear body of a truck



Oblique frontal impact



AA2000233

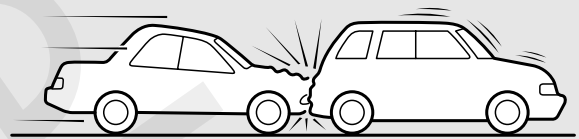
Seat and restraint systems

The front airbags ARE NOT DESIGNED TO DEPLOY when ...

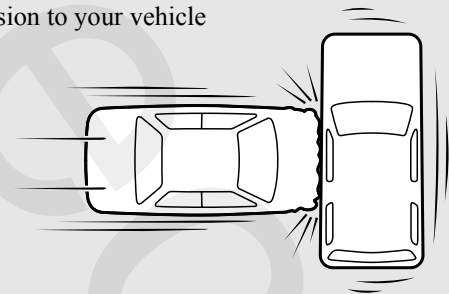
The front airbags are not designed to deploy in situations where they cannot provide protection to the occupants. Typical situations are shown in the illustration.

Because the front airbags do not protect the occupants in all types of collisions, be sure to always wear the seat belts properly.

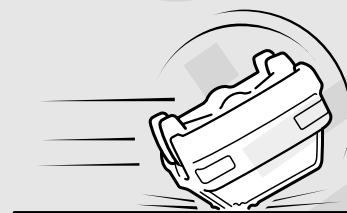
Rear end collision



Side collision to your vehicle



Vehicle rolls onto its side or roof



AA2000220

Seat and restraint systems

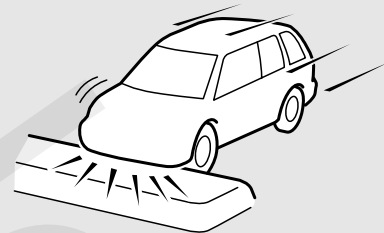
The front airbags MAY DEPLOY when ...

The front airbags may deploy if the underside of the vehicle suffers a moderate to severe impact (undercarriage impact). Typical situations are shown in the illustration.

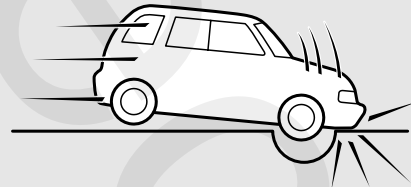
Because the front airbags may deploy in certain types of unexpected impacts, as shown in the illustrations, and these unexpected impacts can move you out of position, it is important to always wear the seat belts properly. When worn properly, seat belts can help maintain your distance from the airbags when they begin to inflate. The beginning stage of airbag inflation is the most forceful and can cause serious injury or death if you are close to the deploying airbag.

2

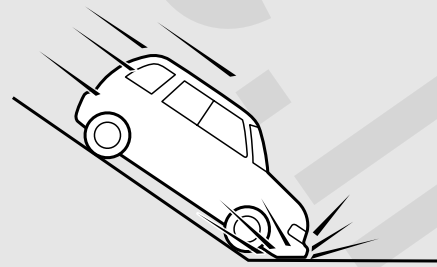
Collision with an elevated median/island or curb



Vehicle travels over a deep hole/pothole



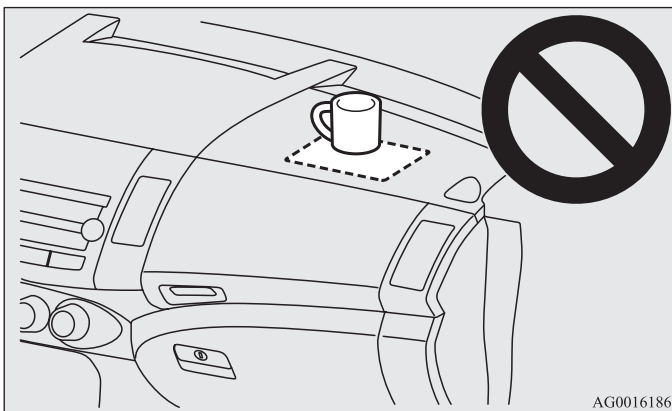
Vehicle drives down a steep slope and hits the ground



AA2000073

⚠ WARNING

- Do not attach anything to the steering wheel's padded cover, such as trim material, badges, etc. These could strike and injure an occupant if the airbag inflates.
- Do not set anything on, or attach anything to, the instrument panel above the glove compartment. Such items could strike and injure an occupant if the airbag inflates.



⚠ WARNING

- Do not attach accessories to, or put them in front of, the windshield. They could restrict the airbag inflation, or strike and injure an occupant, when the airbag inflates.
- Do not place objects, such as packages or pets, between the airbags and the driver or the front passenger. Such objects can adversely affect airbag performance, or cause serious injury or death when the airbag deploys.
- Immediately after airbag inflation, some parts of the airbag system will be hot. Do not touch them. You could otherwise be burned.
- The airbag system is designed to work only once. After the airbags deploy, they will not work again. They must promptly be replaced and the entire airbag system must be inspected by an authorized Mitsubishi Motors dealer.

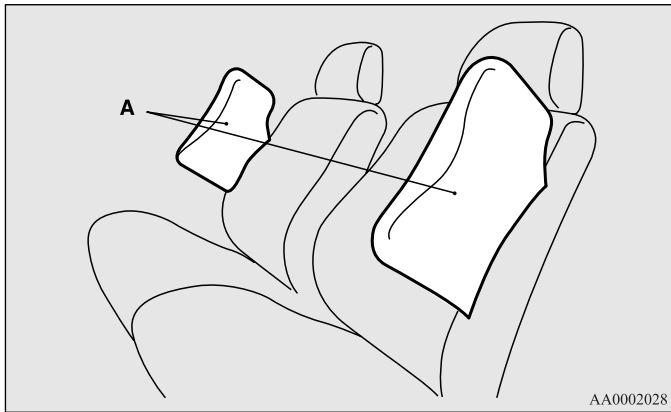
Seat and restraint systems

Side airbag system

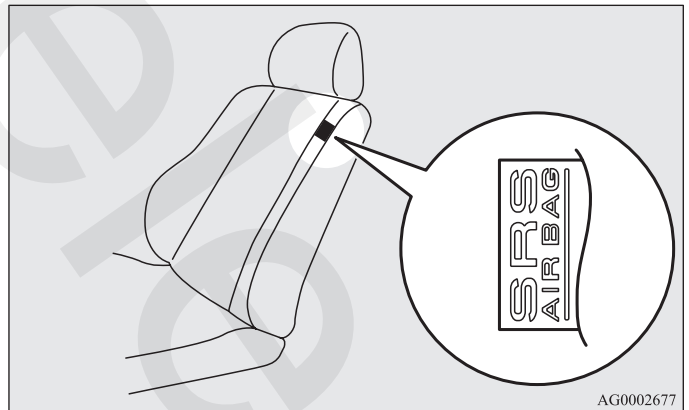
N00408100304

The side airbags (A) are contained in the driver and front passenger seatbacks.

The side airbag is designed to inflate only on the side of the vehicle that is impacted, even with no passenger in the front seat.



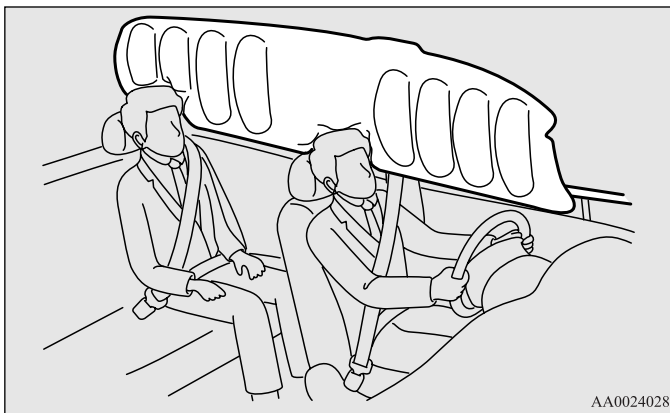
A label is attached to the seatbacks in vehicles equipped with side airbags.



Curtain airbag system

N00419200129

Your vehicle is equipped with a curtain airbag in the front pillar, the rear pillar and the side sections of the roof. The curtain airbag is designed to inflate only on the side of the vehicle that is impacted, even with no passenger in the seat. Also, when the airbag control unit detects rollover of the vehicle, the curtain airbags will deploy.



⚠ WARNING

- Side airbags and curtain airbags can cause serious injury or death to anyone too close to the airbag when it deploys. To reduce the risk of injury from a deploying side airbag or curtain airbag, driver and front passenger must be properly restrained and seated well back, upright, and in the middle of the seat. Do not lean against the door.



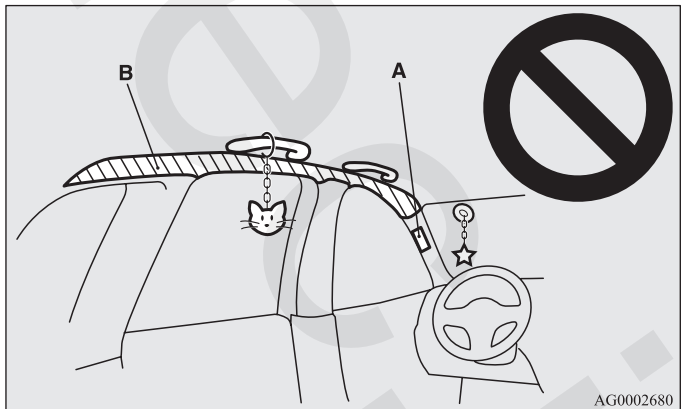
Seat and restraint systems

⚠ WARNING

- In order to reduce the risk of injury from a deploying side airbag, do not allow any second row seat passengers to hold onto the back of either front seat. Special care should be taken with children.
- Do not place any objects around the area where the side airbags deploy. Such objects can interfere with proper side airbag deployment, and cause injury during deployment of the side airbag.
- Do not place stickers, labels or additional trim on the back of either front seat. They can interfere with proper side airbag deployment.

⚠ WARNING

- Do not attach a microphone (A) or any other object around the part where the curtain airbag (B) deploys, such as on the windshield, side door glass or front and rear pillars and roof side rail. When the curtain airbag inflates, the microphone or other object may be hurled with great force or the curtain airbag may not inflate correctly, resulting in death or serious injury.



▲ WARNING

- Do not put a hanger or any heavy or pointed object on the coat hook. If the curtain airbag was activated, any such item could be propelled away with great force and could prevent the curtain airbag from inflating correctly. Hang clothes directly on the coat hook (without using a hanger). Make sure there are no heavy or sharp objects in the pockets of clothes that you hang on the coat hook.
- Do not install seat covers or re-cover seats that have side airbags. Covers can interfere with proper side airbag deployment and adversely affect side airbag performance.
- Never install a rear-facing child restraint system in the front passenger seat. Rear-facing child restraint systems **MUST ONLY** be used in the rear seat.
- Front-facing child restraint systems should also be used **ONLY** in the rear seat. If a front-facing child restraint system must be used in the front passenger seat, move the seat as far back as possible, and make sure that the child stays in the child restraint system, properly restrained and away from the door.
- Do not allow a child to lean against or sit close to the passenger door, even if the child is seated in a child restraint system. The child's head should also not lean against or be close to the section of the seatback where the side airbag and curtain airbag are located. It is dangerous if the side airbag or curtain airbag deploys. Failure to follow all of these instructions could lead to serious injury or death to the child.

▲ WARNING

- Work done on or in the vicinity of the side airbag or curtain airbag components should be done only by an authorized Mitsubishi Motors dealer. There is a risk of a serious injury or death. Improper work methods can cause accidental side airbag or curtain airbag deployment, or render a side airbag or curtain airbag inoperable. Either of these situations could result in serious injury or death.
- Do not place luggage heavier than the specified on the roof carrier. Such luggage may cause the curtain airbags to inflate accidentally, which could result in serious injury or death.

Seat and restraint systems

Deployment of side airbag and curtain airbag

N00408200422

The side airbag and curtain airbag ARE DESIGNED TO DEPLOY when...

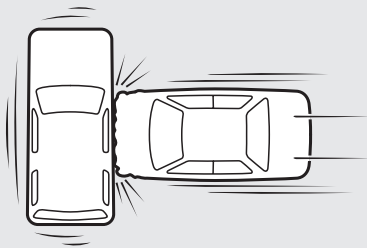
The side airbag and curtain airbag are designed to deploy when the vehicle suffers a moderate to severe side impact to the middle of the passenger compartment.

The typical situation is shown in the illustration.

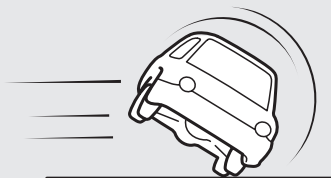
The seat belts in your vehicle are your primary means of protection in an accident. The SRS (Supplemental Restraint System) side airbags and curtain airbags are designed to provide additional protection. Therefore, for your safety and the safety of all occupants, be sure to always wear your seat belts properly.

2

Moderate to severe impact to the middle of the vehicle body's side structure



When the vehicle detects rollover of the vehicle (Curtain airbag only)



AG3000892

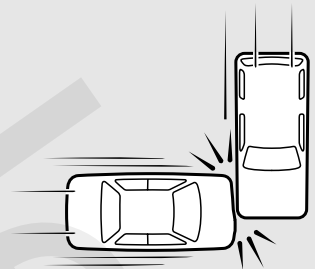
Seat and restraint systems

The side airbag and curtain airbag MAY NOT DEPLOY when...

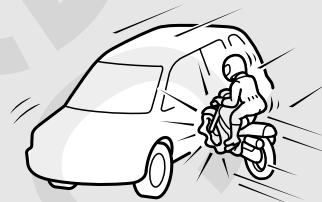
In certain types of side collisions, the side airbag and curtain airbag may not deploy, even if the deformation of the body seems to be large, because the vehicle's body structure is designed to absorb the impact and to deform in order to help protect the occupants. There are also cases where the side airbag and curtain airbag may not deploy at the same time, depending on the location of the impact. Some typical situations where the side airbags and curtain airbags may not deploy are shown in the illustrations.

Because the side airbags and curtain airbags do not protect the occupant in all types of side collisions, be sure to always wear the seat belts properly.

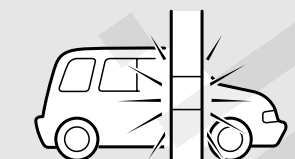
Side impact in an area away from the passenger compartment



Motorcycle or other similar small vehicle collision with the side of vehicle



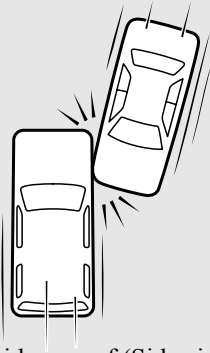
Collision with a utility pole, tree or other narrow object



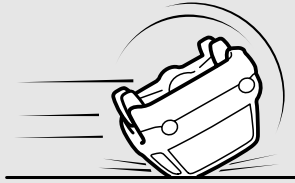
AA2000246

Seat and restraint systems

Oblique side impact



Vehicle rolls onto its side or roof (Side airbag only)



AA3000461

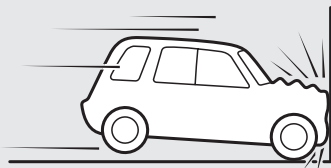
The side airbag and curtain airbag ARE NOT DESIGNED TO DEPLOY when...

The side airbag and curtain airbag are not designed to deploy in situations where they cannot provide protection to the occupants. Typical situations are shown in the illustration.

Because the side airbags and curtain airbags do not protect the occupant in all types of collisions, be sure to always wear your seat belts properly.

SRS servicing

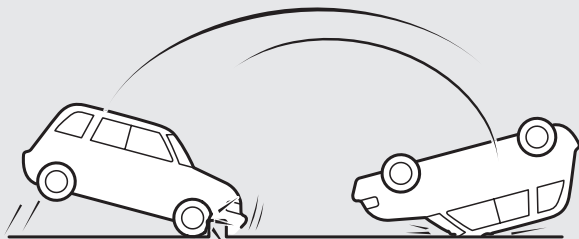
Head-on collision



Rear end collision to your vehicle



Pitch end over end



AG2000299

⚠ WARNING

- Any maintenance performed on or near the components of the SRS should be performed only by an authorized Mitsubishi Motors dealer. Do not permit anyone else to do any service, inspection, maintenance or repair on any SRS components or wiring. Similarly, no part of the SRS should ever be handled, removed or disposed by anyone except an authorized Mitsubishi Motors dealer. Improper work methods on the SRS components or wiring could result in an accidental airbag deployment or could make the SRS inoperable. Either of these situations could result in serious injury or death.
- Do not modify your steering wheel or any other SRS component or related vehicle part. For example, replacement of the steering wheel, or modifications to the front bumper or body structure can adversely affect SRS performance and may lead to injury.
- If your vehicle has received any damage, you should have the SRS inspected by an authorized Mitsubishi Motors dealer to make sure it is in proper working order.

Seat and restraint systems

▲ WARNING

- **Do not modify your front seats, center pillar or center console. Such modifications can adversely affect SRS performance and may lead to injury. Also, if you discover any tear or open seam in the seat fabric near the side airbag, have the seat inspected by an authorized Mitsubishi Motors dealer.**
- **If you have found any scratch, crack or damage to the portion of the front and rear pillars and roof side rail, you should have the SRS inspected by an authorized Mitsubishi Motors dealer.**

NOTE

- When you transfer ownership of the vehicle to another person, we urge you to alert the new owner that it is equipped with the SRS and refer that owner to the applicable sections in this owner's manual.
- If you decide to junk or scrap your vehicle, we urge you to first take it to an authorized Mitsubishi Motors dealer so that the SRS can be made safe for disposal.
- If any of the following parts needs to be modified for use by a handicapped person, the advanced airbag system will be greatly affected. Please consult an authorized Mitsubishi Motors dealer.
 - Driver's seat
 - Front passenger seat
 - Front seat belt
 - Steering wheel
 - Instrument panel

[For vehicles sold in U.S.A.]

To contact Mitsubishi Motors North America, Inc. call 1-888-648-7820 or write to:

**Mitsubishi Motors North America, Inc.
Customer Relations Department
P.O. Box 6400
Cypress, CA 90630-0064**

[For vehicles sold in Canada]

To contact Mitsubishi Motor Sales of Canada, Inc. call 1-888-576-4878 or write to:

**Mitsubishi Motor Sales of Canada, Inc.
Customer Relations Department
P.O. Box 41009
4141 Dixie Road
Mississauga, ON L4W 5C9**

[For vehicles sold in Puerto Rico]

To contact Mitsubishi Motor Sales of Caribbean, Inc. call 1-787-251-8715 or write to:

**Mitsubishi Motor Sales of Caribbean, Inc.
Customer Service Department
P.O. Box 192216
SAN JUAN PR 00919-2216**

Seat and restraint systems

[For vehicles sold in Guam]

To contact Triple J Enterprises Inc.
call (671) 649-3673 or write to:

Triple J Enterprises, Inc.

P.O. Box 6066

TAMUNING

GUAM 96931

[For vehicles sold in Saipan]

To contact Triple J Motors
call (670) 234-7133 or write to:

Triple J Motors

P.O. Box 500487

SAIPAN, MP96950-0487

[For vehicles sold in American Samoa]

To contact Pacific Marketing Inc.
call 684 (699) 9140 or write to:

Pacific Marketing, Inc.

P.O. Box 698

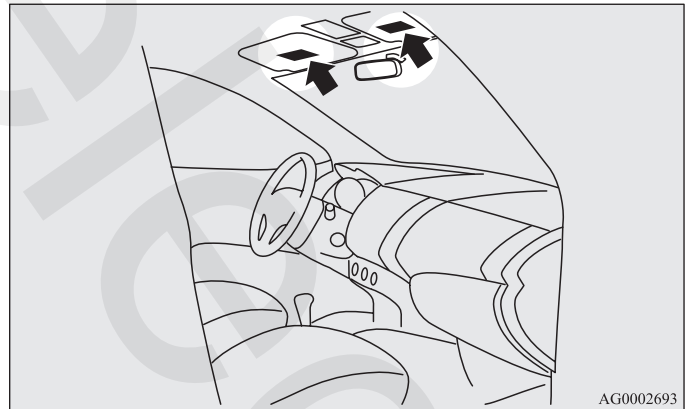
PAGO PAGO,

AMERICAN SAMOA AS, 96799

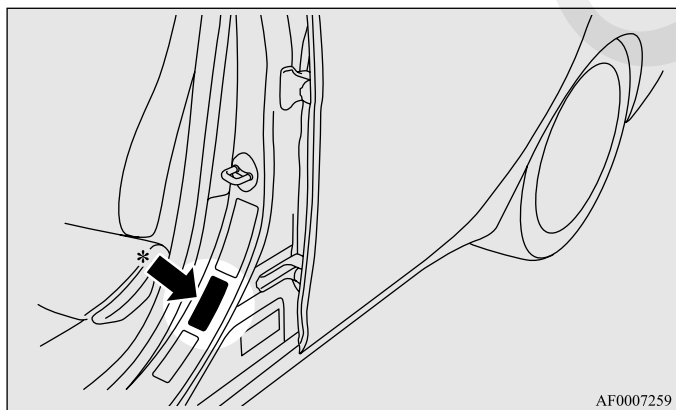
Warning label

N00408600354

Occupant restraint warning labels for the SRS are located in the vehicle as shown in the illustration.



Seat and restraint systems



* - Located in the passenger's side as well.

Features and controls

Break-in recommendations	3- 2	Power steering system	3- 138
Keys	3- 2	Active stability control (ASC)	3- 138
Electronic immobilizer (Anti-theft starting system)	3- 5	Cruise control (if so equipped)	3- 143
Keyless entry system (if so equipped)	3- 9	Tire pressure monitoring system	3- 151
Free-hand Advanced Security Transmitter (F.A.S.T.-key) (if so equipped)	3- 16	Rear-view camera (if so equipped)	3- 158
Door locks	3- 54	Instrument cluster	3- 163
Power door locks	3- 58	Multi-information display	3- 166
Child safety locks for rear door	3- 60	Indicator light, warning light, and information screen display list	3- 198
Flap-fold tailgate	3- 61	Indicators	3- 211
Inside tailgate release	3- 65	Warning lights	3- 211
Theft-alarm system	3- 66	Information screen display	3- 214
Power window control	3- 72	Combination headlights and dimmer switch	3- 217
Sunroof (if so equipped)	3- 77	Headlight leveling switch (if so equipped)	3- 224
Parking brake	3- 81	Turn signal lever	3- 225
Steering wheel tilt lock lever	3- 82	Hazard warning flasher switch	3- 226
Inside rearview mirror	3- 83	Front fog light switch (if so equipped)	3- 227
Outside rearview mirrors	3- 87	Wiper and washer switch	3- 228
Ignition switch	3- 89	Electric rear window defogger switch	3- 237
Steering wheel lock	3- 91	Horn switch	3- 238
Starting the engine	3- 92	Link System (if so equipped)	3- 238
Automatic transaxle (if so equipped)	3- 95	Bluetooth® 2.0 interface (if so equipped)	3- 239
Continuously variable transmission (CVT) (if so equipped)	3- 105	USB input terminal (if so equipped)	3- 264
Electronically controlled 4WD system (if so equipped)	3- 115	Sun visors	3- 270
S-AWC (Super-All Wheel Control) (if so equipped)	3- 118	12 V power outlets	3- 271
4-wheel drive operation	3- 123	Interior lights	3- 273
Inspection and maintenance following rough road operation	3- 127	Storage spaces	3- 277
Cautions on the handling of 4-wheel drive vehicles	3- 127	Cup holders	3- 284
Service brake	3- 129	Bottle holders	3- 286
Hill start assist (if so equipped)	3- 131	Cargo area cover (if so equipped)	3- 288
Brake assist system	3- 133	Assist grips	3- 290
Anti-lock braking system	3- 134	Coat hooks	3- 291
		Luggage hooks	3- 291

Features and controls

Break-in recommendations

N00508700284

Advanced automobile manufacturing techniques permit you to operate your new vehicle without requiring a long break-in period of low-speed driving.

However, you can add to the future performance and economy of your vehicle by observing the following precautions during the first 300 miles (500 km).

Drive your vehicle at moderate speeds during the break-in period.

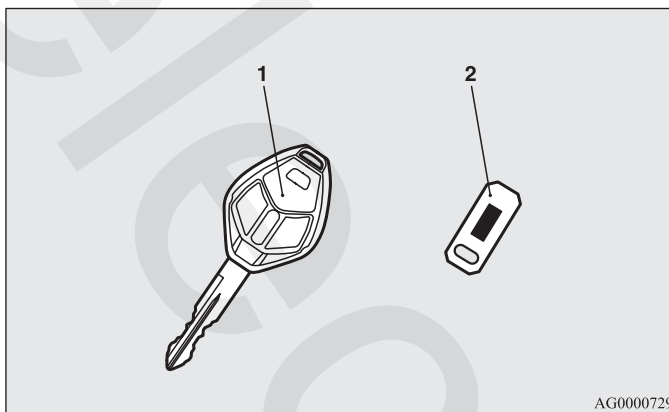
- Avoid revving the engine.
- Avoid rough driving such as sudden starts, sudden acceleration, prolonged high-speed driving and sudden braking. These would have a detrimental effect on the engine and also cause increased fuel and oil consumption, which could result in malfunction of the engine components. Be particularly careful to avoid full acceleration while in low shift position (low gears).
- Do not overload the vehicle. Stay within the seating capacity. (Refer to “Cargo load precautions” on page 4-14.)
- Refrain from towing a trailer or other vehicle (Refer to “Trailer towing” on page 4-18).

Keys

N00508800575

Type 1

Two keys are provided. The keys fit all locks. Keep one in a safe place as a spare key.



AG0000729

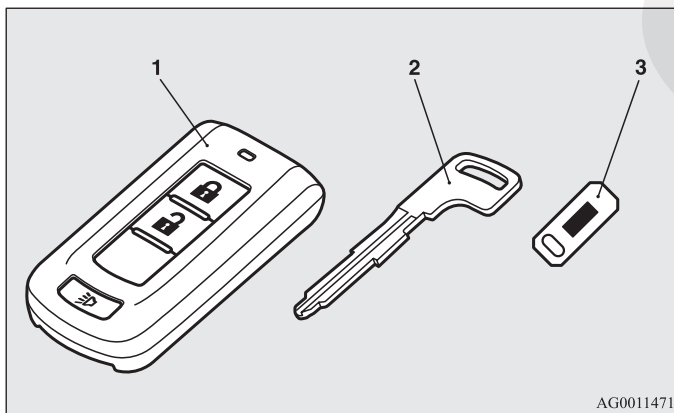
- 1- Key for the electronic immobilizer and keyless entry system
- 2- Key number plate

Features and controls

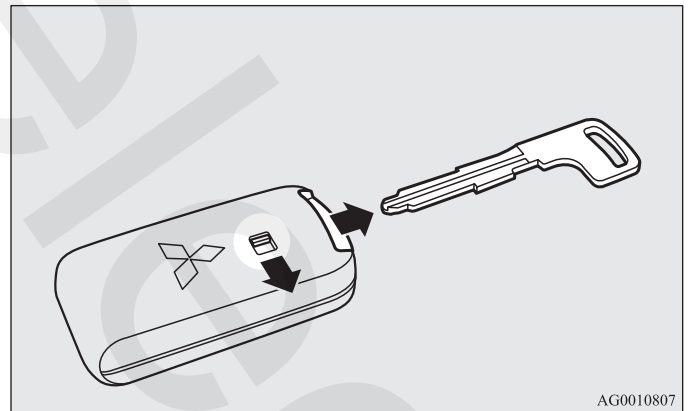
Type 2

Two F.A.S.T.-keys and two emergency keys are provided. Keep one F.A.S.T.-key and one emergency key in a safe place together as a set of spare keys.

The emergency key can be removed from the F.A.S.T.-key and used to lock and unlock the glove compartment. Refer to "Emergency key" on page 3-35.



- 1- F.A.S.T.-key
(with electronic immobilizer and keyless entry system function)
- 2- Emergency key
- 3- Key number plate



Features and controls

NOTE

- The key is a precision electronic device with a built-in signal transmitter. Please observe the following in order to prevent damage.
 - Do not leave where it may be exposed to heat caused by direct sunlight, such as on top of the dashboard.
 - Do not take the remote control transmitter apart.
 - Do not excessively bend the key or subject it to strong impacts.
 - Keep the remote control transmitter dry.
 - Keep away from magnetic objects such as key rings.
 - Keep away from devices that produce magnetism, such as audio systems, computers and televisions.
 - Keep away from devices that emit strong electromagnetic waves, such as cellular phones, wireless devices and high frequency equipment (including medical devices).
 - Do not clean with ultrasonic cleaners.
 - Do not leave the key where it may be exposed to high temperature or high humidity.
- If you lose your key, to prevent the theft of the vehicle immediately contact an authorized Mitsubishi Motors dealer.

If you notify an authorized Mitsubishi Motors dealer of the key number, they can make a new key. The key number is stamped on the key number plate. Keep the key number plate in a safe place separate from the key itself.

- No keys other than those registered in advance can be used to start the engine.

Refer to “Electronic immobilizer (Anti-theft starting system)” on page 3-5.
Refer to “Free-hand Advanced Security Transmitter (F.A.S.T.-key): “Electronic immobilizer (Anti-theft starting system)” on page 3-24.
- When the theft-alarm is in the system operational status, the alarm operates if a door or tailgate is opened after using the key, the door lock knob or the power door lock switch to unlock the vehicle.
- The system does not enter the preparation status if the keyless entry system or the F.A.S.T.-key operation was not used to lock the vehicle.

Electronic immobilizer (Anti-theft starting system)

N00509100706

[For vehicles equipped with the Free-hand Advanced Security Transmitter (F.A.S.T.-key)]

For information on operations for vehicles equipped with the Free-hand Advanced Security Transmitter (F.A.S.T.-key), refer to “Free-hand Advanced Security Transmitter (F.A.S.T.-key): Electronic immobilizer (Anti-theft starting system)” on page 3-24.

[Except for vehicles equipped with the Free-hand Advanced Security Transmitter (F.A.S.T.-key)]

The electronic immobilizer is designed to significantly reduce the possibility of vehicle theft. The purpose of the system is to immobilize the vehicle if an invalid start is attempted. A valid start attempt can only be achieved (subject to certain conditions) using a key “registered” to the immobilizer system.

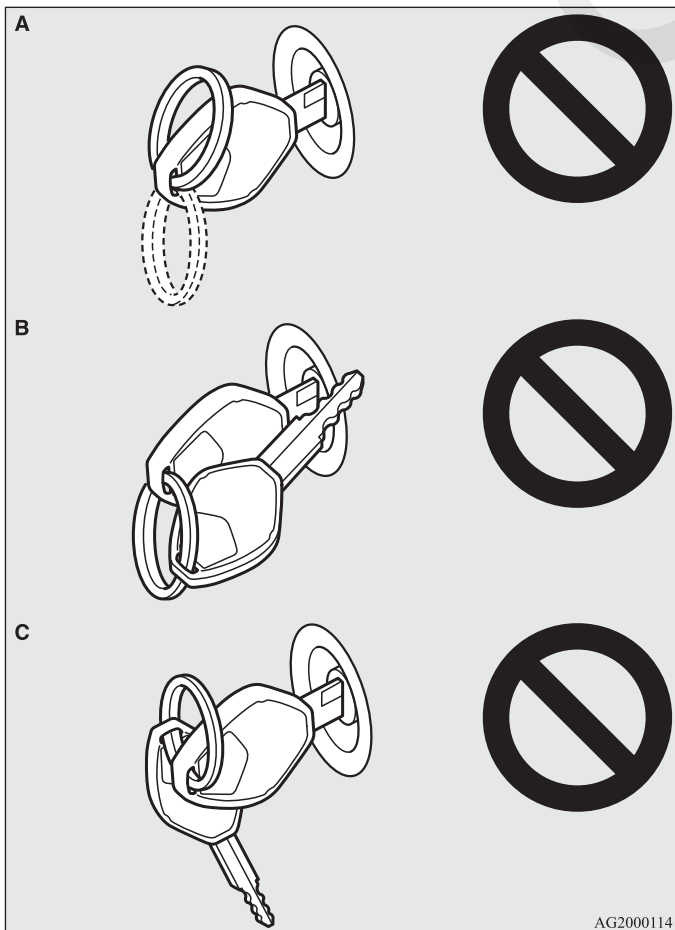
All of the keys provided with your new vehicle have been programmed to the vehicle’s electronics.

Features and controls

NOTE

- In the following cases, the vehicle may not be able to recognize the registered ID code from the key. This means the engine will not start even when the key is turned to the “START” position.
 - When the key contacts a key ring or other metallic or magnetic object (Type A)
 - When the key grip contacts metal of another key (Type B)
 - When the key contacts or is close to other immobilizer keys (including keys of other vehicles) (Type C)
- In cases like the above, move the offending object(s) away from the key and turn the key back to the “ACC” or “LOCK” position. Then try to start the engine again. If the engine does not start, contact an authorized Mitsubishi Motors dealer.

Features and controls



NOTE

- The key may not operate properly when it is near an object or facility that emits strong electromagnetic waves.
- Electronic immobilizer is not compatible with commercially available remote starting systems. Use of commercially available remote starting systems may result in vehicle starting problems and a loss of security protection.
- A system failure is suspected when the ignition switch is turned to the "START" position, and the engine does not start. In such a case, contact an authorized Mitsubishi Motors dealer.

⚠ CAUTION

- Do not make any alterations or additions to the immobilizer system. Alterations or additions could cause failure of the immobilizer.

Features and controls

Replacement keys

Only keys that have been programmed to the vehicle's electronics can be used to start the vehicle.

If you lose the key, you can order a key from your authorized Mitsubishi Motors dealer by referring to the key number.

To prevent vehicle theft, the ID code for the vehicle keys must be changed.

Take your vehicle and all remaining keys to your authorized Mitsubishi Motors dealer to have your ID code changed.

Additional keys

To add a key, you must already have 2 registered keys. You need to register the ID code to the vehicle.

Registering the ID code can be done by yourself (except for vehicles sold in Canada), or by your authorized Mitsubishi Motors dealer.

For you to register the ID code yourself, follow the "Customer key programming" procedure below.

If you choose to have your authorized Mitsubishi Motors dealer register the ID code, take your vehicle and all remaining keys to your authorized Mitsubishi Motors dealer.

NOTE

- You are provided with 2 keys, but you may register up to 8 keys.

Customer key programming (Except for vehicles sold in Canada)

N00562200054

You can program new keys to the system if you have two valid (already registered) keys and blank immobilizer key (specially cut for your vehicle at your Mitsubishi Motors dealer) by doing the following:

1. Insert the first valid key into the ignition switch and turn the key to the "ON" position for 5 seconds.
2. Turn the key to the "LOCK" position and remove the first key.
3. Within 30 seconds of removing the first key, insert the second valid key into the ignition and turn it to the "ON" position. About 10 seconds later, the immobilizer display will start to blink.

Features and controls

4. When the immobilizer display starts blinking, turn the second valid key to the "LOCK" position and remove it. Within 30 seconds after doing so, insert a blank immobilizer key into the ignition switch and turn it to the "ON" position. Perform this operation no more than 30 seconds after the immobilizer display starts blinking. When registration of the ID code is complete, the immobilizer display will come on for 3 seconds then go off. If an error occurs, the immobilizer display will go off during the procedure.



3

NOTE

- When the key registration is completed, the immobilizer display will come on within 30 seconds of turning the ignition switch to the "ON" position with the blank immobilizer key (specially cut for your vehicle at your Mitsubishi Motors dealer).
5. If you wish to register another key, perform the process again from step 1.

NOTE

- Perform the operation when the interrupt display screen is not showing. The interrupt display screen may prevent you from seeing the immobilizer display.
- It is not possible to register a key if:
 - the immobilizer display goes off during the procedure
 - the immobilizer display does not come on within 30 seconds after step 4.
- The procedure will be terminated automatically if:
 - a period of 30 seconds or longer elapses from the moment when the first key is turned to the "LOCK" position to the moment when the second key is turned to the "ON" position
 - a period of 30 seconds or longer elapses from the moment when the second key is turned to the "LOCK" position to the moment when the blank immobilizer key is turned to the "ON" position
- To use the new remote control transmitters, it is necessary to register the key with both the electronic immobilizer and keyless entry system. Also refer to "Keyless entry system: Customer remote control transmitter programming" on page 3-13.

Features and controls

General information

N00562300068

Your electronic immobilizer operates on a radio frequency subject to Federal Communications Commission (FCC) Rules (For vehicles sold in U.S.A.) and Industry Canada Rules (For vehicles sold in Canada). This device complies with part 15 of the FCC Rules and RSS-Gen of the Industry Canada Rules.

Operation is subject to the following two conditions.

- This device may not cause harmful interference.
- This device must accept any interference received, including interference that may cause undesired operation.

⚠ CAUTION

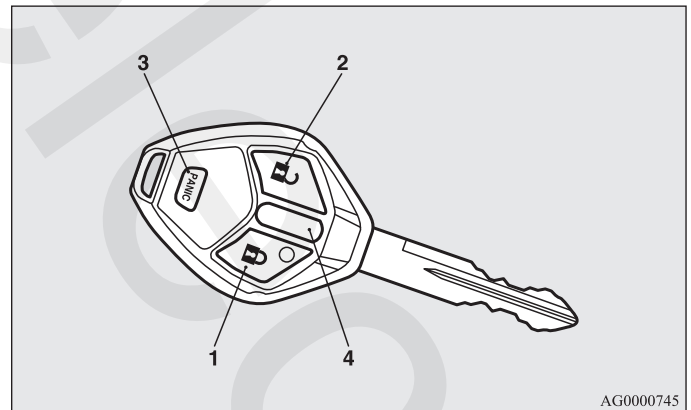
- Changes or modifications not expressly approved by the manufacturer for compliance could void the user's authority to operate the equipment.

Keyless entry system (if so equipped)

N00509000877

Press the remote control transmitter buttons to lock or unlock the doors and the tailgate.

It can also help you signal for attention by setting off the panic alarm.



- 1- LOCK (🔒) button
- 2- UNLOCK (🔓) button
- 3- PANIC button
- 4- Indicator light

Features and controls

To lock

Press the LOCK button (1) to lock all the doors and the tailgate.

The turn signal lights will also blink once.

NOTE

- If you press the LOCK button (1) twice the horn will sound once.

To unlock

Press the UNLOCK button (2) to unlock the driver's door only. Within about 2 seconds, press the UNLOCK button one more time to unlock all the doors and tailgate.

The dome light will turn on for 30 seconds. The turn signal lights will also blink twice.

The front side-marker and parking lights will also turn on for about 30 seconds. Refer to "Welcome light" on page 3-222.

NOTE

- On a vehicle equipped with a Mitsubishi Multi-Communication System, the functions can be adjusted on the screen. For details, refer to the separate operation manual.
- The door and tailgate unlock function can be set so that all doors and tailgate unlock when the UNLOCK button (2) is pressed once.
Refer to "Setting of door and tailgate unlock function" on page 3-11.

Answerback function

The horn and turn signal lights of the keyless entry system answerback function can be changed as required. This is done with the key removed from the ignition switch.

NOTE

- The answerback function will not operate if any of the doors are open.

Features and controls

Horn deactivation/reactivation

The answerback function can be set in the following three ways.

Each time the answerback function is set, a chime will sound to tell you the condition of the answerback function.

- One chime: The horn will not sound.
- Two chimes: The horn will sound.
- Four chimes: The horn will sound if the LOCK button is pressed twice within 1 second.

1. Remove the key from the ignition switch.
2. Open the driver's door and turn the combination headlights and dimmer switch to the "OFF" position.
3. Press the LOCK button (1) for 4 to 10 seconds and press the UNLOCK button (2) during this time.
4. Release in sequence the UNLOCK and LOCK buttons within 10 seconds of pressing the UNLOCK button in step 3.

NOTE

- On a vehicle equipped with a Mitsubishi Multi-Communication System, the functions can be adjusted on the screen. For details, refer to the separate operation manual.

Turn signal lights deactivation/reactivation

The answerback function can be turned ON or OFF separately.

1. Remove the key from the ignition switch.
2. Open the driver's door and turn the combination headlights and dimmer switch to the "OFF" position.
3. Press the UNLOCK button (2) for 4 to 10 seconds and press the LOCK button (1) during this time.

4. Release in sequence the UNLOCK and LOCK buttons within 10 seconds of pressing the LOCK button in step 3.

Number of chimes	To lock	To unlock
One chime	One flash	Two flashes
Two chimes	One flash	No flash
Three chimes	No flash	Two flashes
Four chimes	Two flashes	One flash
Five chimes	No flash	One flash
Six chimes	Two flashes	No flash
Seven chimes	No flash	No flash

NOTE

- On a vehicle equipped with a Mitsubishi Multi-Communication System, the functions can be adjusted on the screen. For details, refer to the separate operation manual.

Setting of door and tailgate unlock function

N00543600062

The door and tailgate unlock function can be set to the following two conditions.

Each time the door and tailgate unlock function is set, a chime will sound to tell you the condition of the door and tailgate unlock function.

Number of chimes	Condition
One chime	All doors and the tailgate unlock
Two chimes	Driver's door unlock only

Features and controls

1. Remove the key from the ignition switch.
2. Open the driver's door and turn the combination headlights and dimmer switch to the "OFF" position.
3. Press the LOCK button (1) for 4 to 10 seconds and press the UNLOCK button (2) during this time.
4. Release in sequence the LOCK and UNLOCK buttons within 10 seconds of pressing the LOCK button in step 3.

NOTE

- On a vehicle equipped with a Mitsubishi Multi-Communication System, the functions can be adjusted on the screen. For details, refer to the separate operation manual.

3 Using the panic alarm

N00543700034

If you are near your vehicle and feel threatened, you may activate the alarm to call attention as follows:

1. Press the PANIC button (3) for more than 1 second.
2. The headlights will blink on and off and the horn will sound intermittently for about 3 minutes.
3. To turn off the alarm, press any button on the remote control transmitter.

Replacement remote control transmitters

N00543800048

Only remote control transmitters programmed with the vehicle's electronics can lock or unlock all doors and the tailgate.

If you lose the remote control transmitter, you can order a remote control transmitter from your authorized Mitsubishi Motors dealer by referring to the key number.

To prevent vehicle theft, the ID code for the remote control transmitter must be changed.

Take your vehicle and all remote control transmitters to your authorized Mitsubishi Motors dealer to have your ID code changed.

Additional remote control transmitters

N00543900049

To add a remote control transmitter, you must already have 1 registered remote control transmitter.

Registering the ID code can be done by yourself or by your authorized Mitsubishi Motors dealer. For you to register the ID code yourself, follow the "Customer remote control transmitter programming" procedure below.

If you choose to have your authorized Mitsubishi Motors dealer register the ID code, take your vehicle and any remaining keys to your authorized Mitsubishi Motors dealer.

NOTE

- You are provided with 2 remote control transmitters, but you may register up to 8 remote control transmitters.

Customer remote control transmitter programming

N00544000063

You can program new remote control transmitters to the system if you have one valid (already registered) remote control transmitter by doing the following:

1. Have available all (current and new) remote control transmitters you wish to register.
2. With a valid (already registered) remote control transmitter, press the UNLOCK button (2) for 4 to 10 seconds. Then press and hold the LOCK button (1).
3. Within 10 seconds of pressing the LOCK button, release the LOCK and UNLOCK buttons in sequence.
At this time, ID codes for all remote control transmitters except for the transmitter used in steps 2 and 3 are erased and the answerback function (door is locked and unlocked) informs you that the registration mode has been activated.
4. Within 60 seconds after step 3, complete the following ID code registration operation using the next remote control transmitter you wish to register within 4 seconds.
 - i) Press both the LOCK and UNLOCK buttons for 2 seconds.
 - ii) Release both the LOCK and UNLOCK buttons for 1 second.
 - iii) Press the UNLOCK button. The answerback function informs you that the ID code registration of the transmitter is completed.
5. To register the ID codes of additional remote control transmitters, repeat step 4 within 60 seconds after step 4.

6. If no ID code of a remote control transmitter is registered within 60 seconds after step 4, the registration mode is canceled and the normal mode returns.

NOTE

- For verification purposes, try to lock and unlock the doors after the registration is completed.
- The indicator light (4) comes on each time a button is pressed.
- The keyless entry system does not work if the key is in the ignition switch.
- The remote control transmitter can be used from about 40 feet (12 m) away. However, this distance may change if your vehicle is near a TV transmitting tower, a power station, or a radio station.
- If the UNLOCK button (2) is pressed when all doors and the tailgate are locked and no doors or the tailgate are opened within about 30 seconds, the doors and the tailgate will automatically re-lock.
On a vehicle equipped with a Mitsubishi Multi-Communication System, the functions can be adjusted on the screen. For details, refer to the separate operation manual.
- If the following conditions are observed after pressing the LOCK (1) or UNLOCK (2) button on the remote control transmitter, the battery in the remote control transmitter may need to be replaced.
 - The doors and the tailgate cannot be locked or unlocked.
 - The panic alarm cannot be operated.
 - The indicator light (4) is dim or does not come on.
- If you lose your remote control transmitter, please contact an authorized Mitsubishi Motors dealer for a replacement.

Features and controls

- If you wish to obtain an additional remote control transmitter, please contact an authorized Mitsubishi Motors dealer. A maximum of 8 remote control transmitters can be programmed for your vehicle.
- To use the new remote control transmitters, it is necessary to register the key with both the electronic immobilizer and keyless entry system.
Also refer to “Electronic immobilizer (Anti-theft starting system): Customer key programming” on page 3-7.

General information

N00546100084

Your keyless entry system operates on a radio frequency subject to Federal Communications Commission (FCC) Rules (For vehicles sold in U.S.A.) and Industry Canada Rules (For vehicles sold in Canada). This device complies with Part 15 of the FCC Rules and RSS-Gen of the Industry Canada Rules.

Operation is subject to the following two conditions.

- This device may not cause harmful interference.
- This device must accept any interference received, including interference that may cause undesired operation.

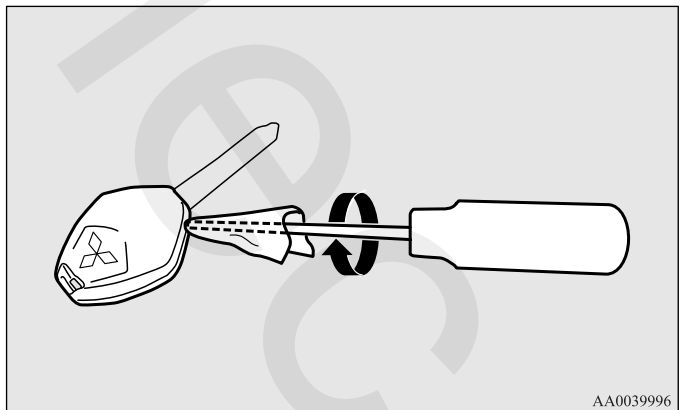
CAUTION

- Changes or modifications not expressly approved by the manufacturer for compliance could void the user's authority to operate the equipment.

Procedure for replacing the remote control transmitter battery

N00544100064

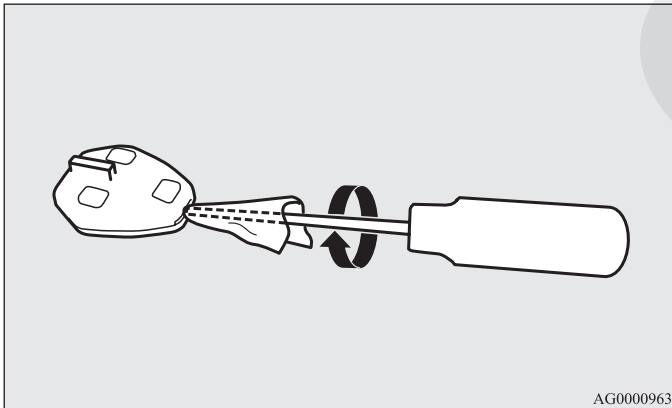
1. Before replacing the battery, remove static electricity from your body by touching a metal grounded object.
2. With the Mitsubishi mark facing you, insert the cloth-covered tip of a flat blade screwdriver into the notch in the remote control transmitter case and use it to open the case.



NOTE

- Be sure to perform the procedure with the Mitsubishi mark facing you. If the Mitsubishi mark is not facing you when you open the remote control transmitter case, the buttons may come out.

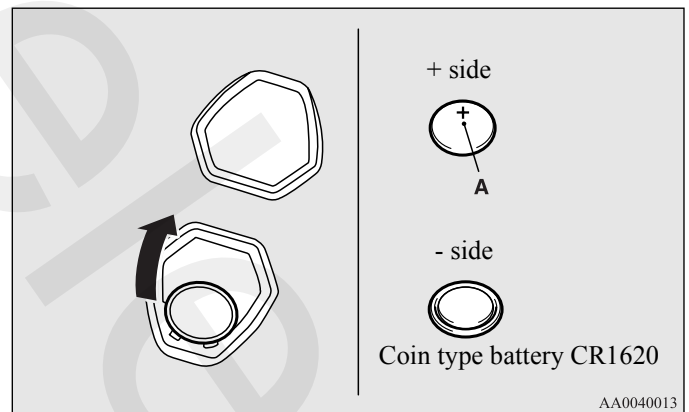
3. Remove the remote control transmitter from the remote control transmitter case. Then, open the remote control transmitter using the method described in step 1.



4. Remove the old battery.

Features and controls

5. Install a new battery with the + side (A) down.



6. Close the remote control transmitter firmly.
7. Place the remote control transmitter in the remote control transmitter case, then securely close the remote control transmitter case.
8. Check the keyless entry system to see that it works.

NOTE

- You may purchase a replacement battery at an electric appliance store.
- An authorized Mitsubishi Motors dealer can replace the battery for you if you prefer.

Features and controls

CAUTION

- When the remote control transmitter case is opened, be careful to keep water, dust, etc. out. Also, do not touch the internal components.

Free-hand Advanced Security Transmitter (F.A.S.T.-key) (if so equipped)

N00503100094

The Free-hand Advanced Security Transmitter (F.A.S.T.-key) enables the doors and the tailgate to be locked and unlocked and the engine to be started simply by carrying it.

The F.A.S.T.-key can also be used as the remote control transmitter of the keyless entry system.

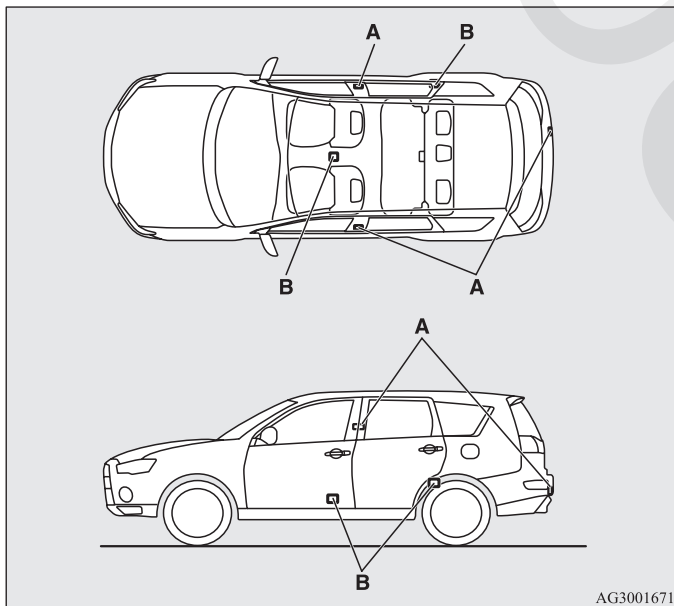
Refer to “Free-hand Advanced Security Transmitter (F.A.S.T.-key): Keyless entry system” on page 3-46.

The F.A.S.T.-key must be carried by the driver. The F.A.S.T.-key is required for vehicle operations such as locking and unlocking the doors and the tailgate, and starting the engine. When leaving the vehicle, make sure you are carrying the F.A.S.T.-key and then lock the vehicle.

WARNING

- Individuals who use implantable pacemakers or implantable cardiovascular-defibrillators should keep away from the external and internal transmitters. The electromagnetic waves used in the F.A.S.T.-key may affect the operation of implantable pacemakers and implantable cardiovascular-defibrillators.

Features and controls



A- External transmitter
B- Internal transmitter

⚠ WARNING

- Individuals using other electro-medical apparatus besides implantable pacemakers and implantable cardiovascular-defibrillators should check with the manufacturer of the apparatus to confirm the effect of the electromagnetic waves used by the F.A.S.T.-key. The electromagnetic waves may affect the operations of the electro-medical apparatus.

The operations possible with the F.A.S.T.-key can be modified as stated below. (Keyless entry operations are possible.) For details, contact an authorized Mitsubishi Motors dealer.

- Enabling only the locking and unlocking of the doors and the tailgate
- Enabling only the starting of the engine
- Deactivating the F.A.S.T.-key

Features and controls

NOTE

- The F.A.S.T.-key uses weak electromagnetic waves. In cases such as the following, operation may be improper or unstable.
 - The vehicle is near a facility that emits strong electromagnetic waves, such as a TV transmitting tower, a power station, a radio station or an airport
 - The key is carried together with other communication devices such as cellular phones or radios, or electrical appliances such as computers
 - The F.A.S.T.-key touches or is covered by a metal object
 - A keyless entry system is being used nearby
 - The battery of the F.A.S.T.-key is run down
 - The vehicle is in a location with strong electromagnetic waves or noise

Use the emergency key in such circumstances. Refer to “To operate without using the F.A.S.T.-key” on page 3-35.

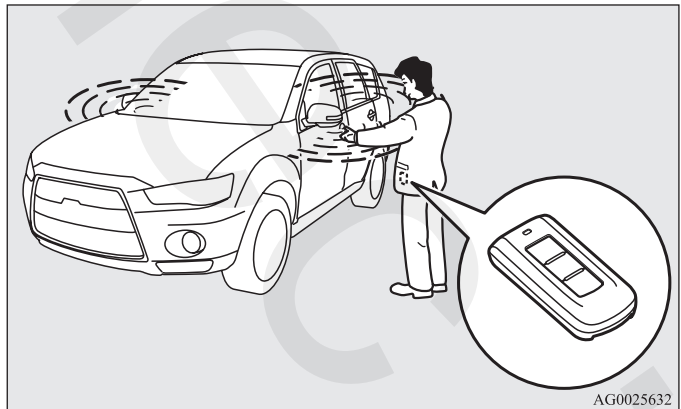
- The F.A.S.T.-key is constantly performing reception operations in its communication with the vehicle. This means that the battery is always running down, regardless of how often the F.A.S.T.-key is used. The battery life is about 1 to 3 years, depending on the usage conditions.
- Since the F.A.S.T.-key is constantly performing reception operations, the reception of strong electromagnetic waves can accelerate the running down of the battery. Do not place near to electrical appliances such as televisions or computers.

Operating range of the F.A.S.T.-key

N00503200138

When a person enters the operating range of the F.A.S.T.-key while carrying the F.A.S.T.-key and presses the driver's or front passenger's door lock/unlock switch, the tailgate LOCK switch or the tailgate OPEN switch, verification of the ID code is performed.

The doors and the tailgate can only be locked and unlocked and the engine can only be started when the ID codes of the vehicle and F.A.S.T.-key match.



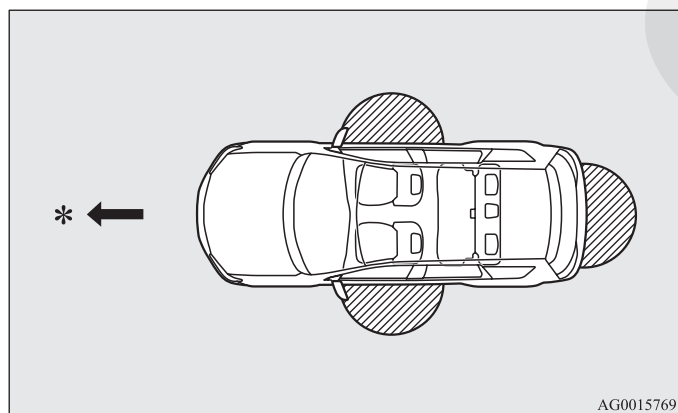
NOTE

- When the battery of the F.A.S.T.-key has run down or there are strong electromagnetic waves or noise in the area, the operating range could decrease or operations could become unstable.


Features and controls

Operating range for locking and unlocking the doors and the tailgate

The operating range is within about 2.3 feet (70 cm) of the handles of the driver's door, front passenger door and tailgate.



*: Front of the vehicle

: Operating range

NOTE

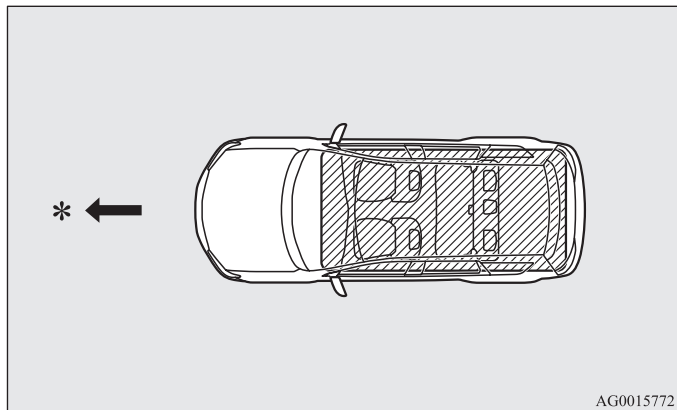
- Only the doors and the tailgate that detect the F.A.S.T.-key can be locked and unlocked.
- The system may not operate if the F.A.S.T.-key is too close to the windshield, door windows or tailgate.
- Even if the F.A.S.T.-key is within about 2.3 feet (70 cm) of the handle of the driver's door, front passenger's door or tailgate, the system may not operate if the key is close to the ground or in a high position.
- If the F.A.S.T.-key is within the operating range, even a person not carrying the F.A.S.T.-key can lock and unlock the doors or the tailgate by pressing the driver's or front passenger's door lock/unlock switch, the tailgate LOCK switch or the tailgate OPEN switch.

Features and controls

Operating range for starting the engine

The operating range is the interior of the vehicle.

N00503300054



*: Front of the vehicle

: Operating range

NOTE

- Even if the F.A.S.T.-key is within the operating range, it may not be possible to start the engine if the key is in a storage space such as the glove compartment, on top of the instrument panel, or in the door pocket or luggage compartment.
- Even if the F.A.S.T.-key is inside the vehicle, it may not be possible to start the engine if the key is too close to a door or door window.

To operate using the F.A.S.T.-key

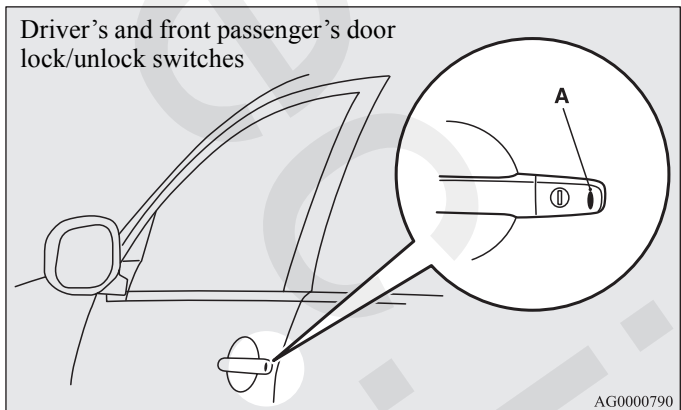
N00503400198

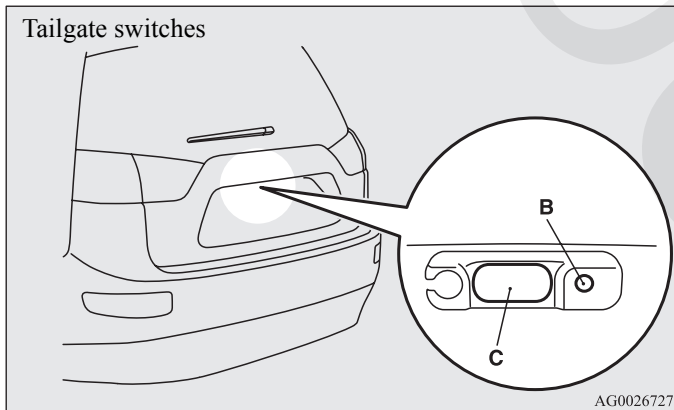
To lock

While carrying the F.A.S.T.-key, press the driver's or front passenger's door lock/unlock switch (A), or the tailgate LOCK switch (B) within the operating range to lock all the doors and the tailgate.

The turn signal lights will blink once and the buzzer will sound once.

Also refer to "Doors locks", "Power door locks" and "Flap-fold tailgate" on pages 3-54, 3-58 and 3-61 respectively.





Features and controls

- The time within which locking confirmation is possible can be adjusted. See an authorized Mitsubishi Motors dealer for details.
On a vehicle equipped with a Mitsubishi Multi-Communication System, the function can be adjusted on the screen. For details, refer to the separate operation manual.

NOTE

- In cases such as the following, the F.A.S.T.-key does not operate.
 - There is a F.A.S.T.-key in the passenger compartment
 - A door or the tailgate is open or ajar
 - The ignition switch is in a position other than “LOCK”
 - The emergency key is inserted into the ignition switch
- The tailgate OPEN switch (C) can be used to confirm that the vehicle is locked properly.
Press the tailgate OPEN switch within about 3 seconds of locking.
- If the tailgate OPEN switch is pressed 3 seconds or more after the vehicle is locked, the doors and the tailgate are unlocked.

Features and controls

To unlock

While carrying the F.A.S.T.-key within the operating range, you can unlock the doors and the tailgate by using the F.A.S.T.-key operation.

The dome light will turn on for 30 seconds. The turn signal lights will blink twice and the buzzer will sound twice.

Also refer to “Door locks”, “Power door locks” and “Flap-fold tailgate” on pages 3-54, 3-58 and 3-61 respectively.

Press the driver’s door lock/unlock switch (A) to unlock only the driver’s door.

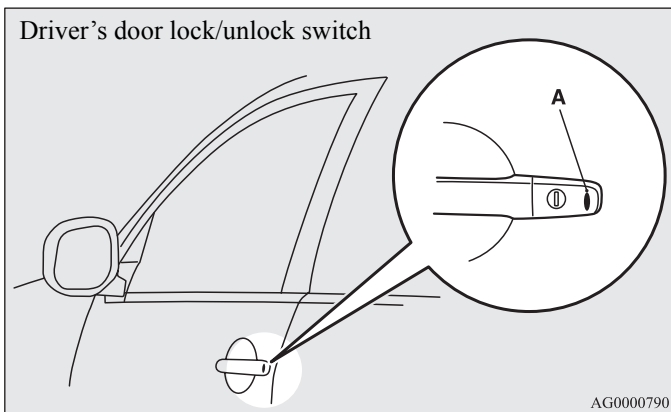
Within about 2 seconds, press the driver’s door lock/unlock switch one more time to unlock all the doors and the tailgate.

NOTE

- Settings can be changed so that all doors and the tailgate are unlocked automatically by pressing the driver’s door lock/unlock switch once. Refer to “Setting of door and tailgate unlock function” on page 3-49.

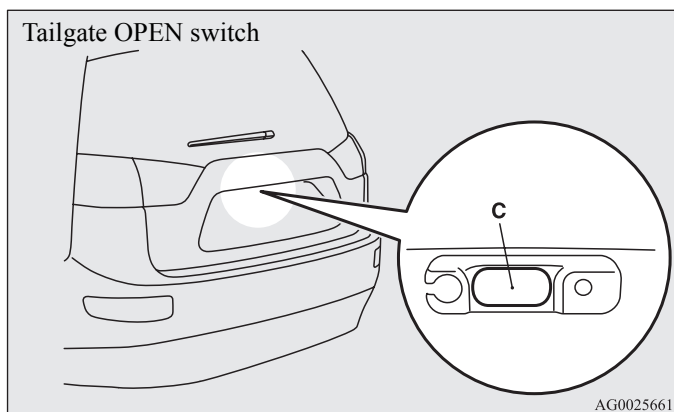
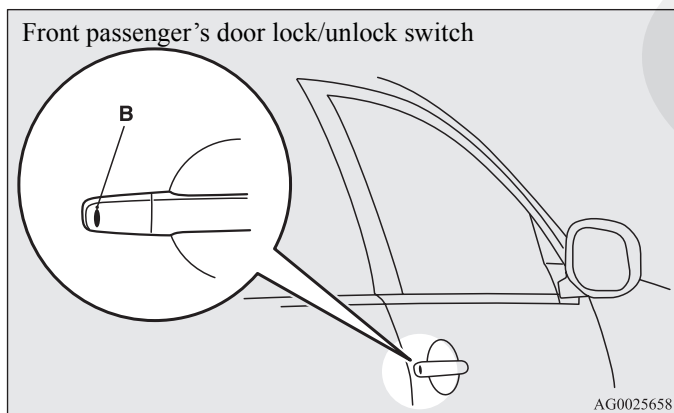
3

Driver’s door lock/unlock switch



Features and controls

Press the front passenger's door lock/unlock switch (B) or the tailgate OPEN switch (C) to unlock all the doors and the tailgate.



NOTE

- If the doors and the tailgate are unlocked using the driver's or front passenger's door lock/unlock switch when all doors and the tailgate are locked and no doors or the tailgate are opened within about 30 seconds, the doors and the tailgate will automatically re-lock.
- The amount of time after unlocking until the vehicle re-locks automatically can be adjusted. See an authorized Mitsubishi Motors dealer for details.
On a vehicle equipped with a Mitsubishi Multi-Communication System, the functions can be adjusted on the screen. For details, refer to the separate operation manual.
- In cases such as the following, the F.A.S.T.-key does not operate.
 - A door or the tailgate is open or ajar
 - The ignition switch is in a position other than "LOCK"
 - The emergency key is inserted into the ignition switch
- The doors and the tailgate cannot be unlocked by using the tailgate OPEN switch for about 3 seconds after locking.
- The time within which locking confirmation is possible can be adjusted. See an authorized Mitsubishi Motors dealer for details.
On a vehicle equipped with a Mitsubishi Multi-Communication System, the function can be adjusted on the screen. For details, refer to the separate operation manual.
- Functions settings can be modified as stated below.
See an authorized Mitsubishi Motors dealer for details.
On a vehicle equipped with a Mitsubishi Multi-Communication System, the functions can be adjusted on the screen. For details, refer to the separate operation manual.

Features and controls

- Activating the operation confirmation function (blinking of the turn signal lights) only during locking, or only during unlocking.
- Deactivating the operation confirmation function (blinking of the turn signal lights) and buzzer.
- Modifying the number of blinks in the operation confirmation function (blinking of the turn signal lights).
- Making the buzzer sound when the F.A.S.T.-key is removed from the passenger compartment when all the doors and the tailgate are closed.

Electronic immobilizer (Anti-theft starting system)

N00529600114

The electronic immobilizer is designed to significantly reduce the possibility of vehicle theft. The purpose of the system is to immobilize the vehicle if an invalid start is attempted. A valid start attempt can only be achieved (subject to certain conditions) using a F.A.S.T.-Key “registered” to the immobilizer system.

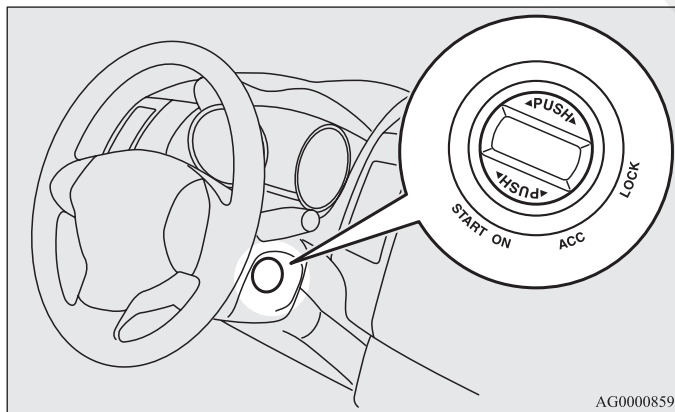
All of the keys provided with your new vehicle have been programmed to the vehicle’s electronics.

Ignition switch

N0051350062

To prevent vehicle theft, no F.A.S.T.-keys other than those registered in advance can be used to start the engine. (Electronic immobilizer function)

While carrying the F.A.S.T.-key, the ignition switch can be turned to start the engine.



AG0000859

LOCK (PUSH OFF)

The position where the steering wheel is locked.

LOCK (PUSH ON)

When the ID code verification inside the vehicle produces a match, the ignition switch can be turned.

ACC

Allows operation of electrical accessories with the engine off.

ON

The engine runs and all electrical accessories can be used.

START

Engages the starter. Release the ignition switch when the engine starts. The ignition switch returns automatically to the "ON" position.

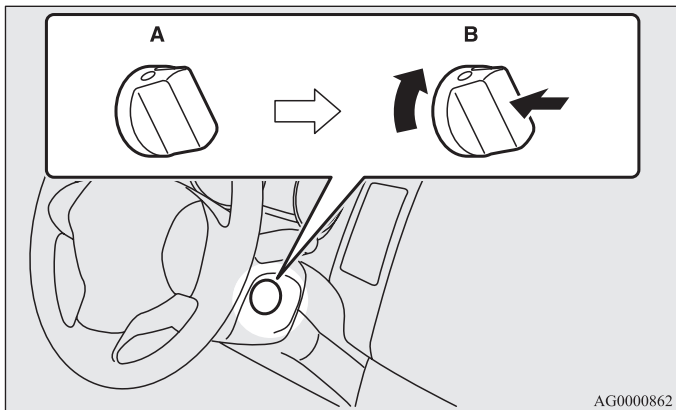
NOTE

- Your vehicle is equipped with an electronic immobilizer. To start the engine, the ID code which the F.A.S.T.-key sends must match the one registered to the immobilizer computer. (Refer to "Electronic immobilizer (Anti-theft starting system)" on page 3-24)
- If the ignition switch is not turned to the "LOCK (PUSH OFF)" position when the engine is not running, the ID code cannot be verified and the engine will not start even if the ignition switch is turned to the "START" position. If this happens, fully return the ignition switch to the "LOCK (PUSH OFF)" position, and start the engine again.

Features and controls

To turn from “LOCK (PUSH OFF)” to “ACC”

Turn slowly after pressing the ignition switch.



- A- Steering wheel locked
B- Steering wheel lock released

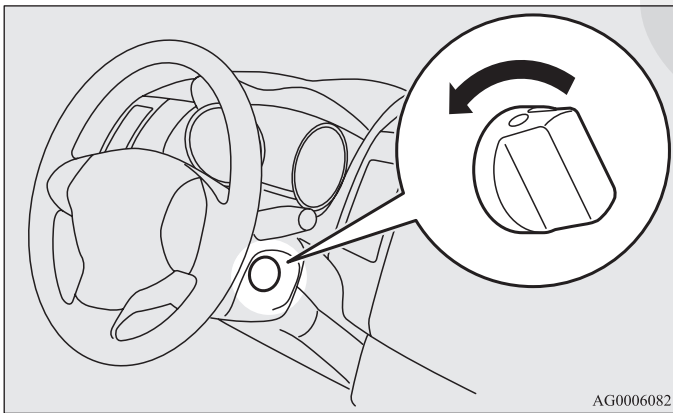
NOTE

- To turn the ignition switch from the “LOCK (PUSH OFF)” position to the “ACC” position, push the ignition switch again, turn the steering wheel in both directions and then turn the ignition switch.
- The ignition switch cannot be turned unless the F.A.S.T.-key is inside the vehicle. Refer to “Operating range for starting the engine” on page 3-20.

To turn from “ACC” to “LOCK”

N0051370080

First, set the selector lever to the “P” (PARK) position, and then slowly turn the ignition switch to the “LOCK” position while pressing it.



NOTE

- The ignition switch cannot be turned to the “LOCK” position unless the selector lever is in the “P” (PARK) position.

⚠ CAUTION

- If the engine is stopped while driving, the power brake booster will stop functioning and greater effort for braking will be required. Also, the power steering system will not function and it will require greater effort to manually steer the vehicle.
- Do not leave the ignition switch in the “ON” or “ACC” position for a long time when the engine is not running. Doing so could lead to a dead battery.
- Do not turn the ignition switch to the “START” position when the engine is running. It will damage the starter motor.



Features and controls

Warning activation

N00503500186





With the F.A.S.T.-key, warnings are given through buzzers and displays on the information screen in the multi-information display in order to prevent mistaken operations or vehicle theft. When a warning operates, be sure to check the vehicle and the F.A.S.T.-key. A warning is also displayed if there is a problem in the F.A.S.T.-key.

If the following warning displays, contact an authorized Mitsubishi Motors dealer.



<p>Type 1</p> 	There is a problem in the F.A.S.T.-key
<p>Type 2</p> 	



If the following warnings display, the display goes off if the correct action is taken.

- The ID codes of the F.A.S.T.-key and the vehicle cannot be verified





<p>Type 1</p> 	Someone may be carrying a F.A.S.T.-key with a different ID code, or the F.A.S.T.-key may not be within the operating range
<p>Type 2</p> 	
<p>Type 1</p> 	Refer to “F.A.S.T.-key take-out monitoring system” on page 3-30.
<p>Type 2</p> 	

Features and controls

Type 1  KEY BATTERY LOW	The battery of the F.A.S.T.-key is run down
Type 2  KEY BATTERY LOW	

Type 1  LOCK	Refer to “Ignition switch turn-off reminder system” on page 3-31.
Type 2  LOCK	

- A door or the tailgate cannot be locked even when the driver’s or front passenger’s door lock/unlock switch, or the tailgate LOCK switch is pressed

Type 1  CONFIRM KEY LOCATION	Refer to “Key lock-in prevention system” on page 3-30.
Type 2  KEY STILL IN VEHICLE	
Type 1  CHECK DOORS	Refer to “Door ajar prevention system” on page 3-31.
Type 2  CHECK DOORS	

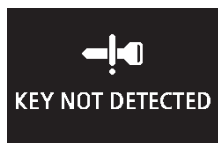
Features and controls

F.A.S.T.-key take-out monitoring system

Type 1



Type 2



N00559800102

Key lock-in prevention system

Type 1



Type 2



N00559900129

3

When the ignition switch is in a position other than “LOCK (PUSH OFF)”, and a door is opened and the F.A.S.T.-key is removed from the passenger compartment so that the ID codes of the F.A.S.T.-key and the vehicle can no longer be verified, the warning display is displayed and the buzzer sounds 4 times as a warning.

NOTE

- The F.A.S.T.-key take-out monitoring system does not function if the F.A.S.T.-key is removed through a window without opening a door. This setting can be changed. See an authorized Mitsubishi Motors dealer for details.
- The warning may display even if the F.A.S.T.-key is in the operating range for starting the engine. The surrounding environment or electromagnetic waves may make it impossible to verify the ID codes of the F.A.S.T.-key and vehicle.

When the ignition switch is in the “LOCK (PUSH OFF)” position, the F.A.S.T.-key is left in the passenger compartment, all the doors and the tailgate are closed, and someone tries to lock the vehicle by pressing the driver’s or front passenger’s door lock/unlock switch, or the tailgate LOCK switch, the warning display is displayed and the buzzer sounds for about 3 seconds as a warning, and the doors and the tailgate cannot be locked.

Features and controls

Door ajar prevention system

N00560000120

Type 1



Type 2



When the ignition switch is in the “LOCK (PUSH OFF)” position, and someone tries to lock the vehicle by pressing the driver’s or front passenger’s door lock/unlock switch, or the tailgate LOCK switch while one of the doors or the tailgate is not fully closed, the warning display is displayed and the buzzer sounds for about 3 seconds as a warning, and the doors and the tailgate cannot be locked.

Ignition switch turn-off reminder system

N00560100121

Type 1



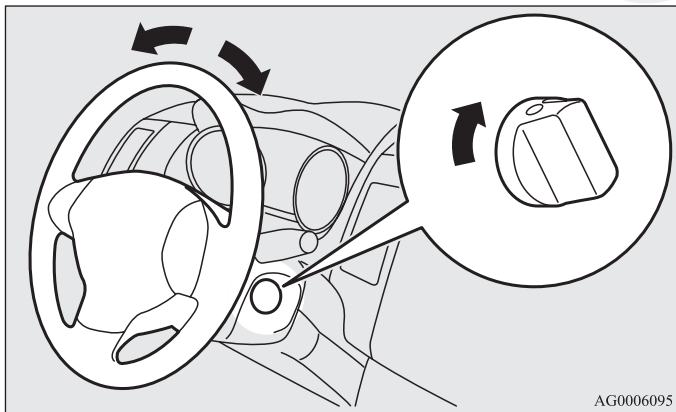
Type 2



When the ignition switch is in a position other than “LOCK (PUSH OFF)”, all the doors and the tailgate are closed, and someone tries to lock the vehicle by pressing the driver’s or front passenger’s door lock/unlock switch, or the tailgate LOCK switch, the warning display is displayed and the buzzer sounds for about 3 seconds as a warning, and the doors and the tailgate cannot be locked.

Features and controls

Steering wheel lock



To lock

Turn the ignition switch to the “LOCK” position.
Turn the steering wheel until it is locked.

To unlock

Turn the ignition switch to the “ACC” position while moving the steering wheel slightly.

CAUTION

- Carry the key with you when leaving the vehicle.
- If your vehicle needs to be towed, turn the ignition switch to the “ACC” position to unlock the steering wheel.

NOTE

- If the front wheels are turned, the anti-theft lock may sometimes make it difficult to turn the ignition switch from “LOCK” to “ACC” position. Firmly turn the steering wheel to the left or to the right as you turn the ignition switch.

Starting

N00514600246

Tips for starting

- Do not operate the starter motor for longer than 15 seconds as this could run the battery down or damage the starter motor. If the engine does not start, turn the ignition switch back to the “LOCK” position, wait a few seconds, and then try again. Trying repeatedly with the engine or starter motor still turning will damage the starter mechanism.
- If the engine will not start because the battery is weak or discharged, refer to “Jump-starting the engine” on page 6-2 for instructions.
- A longer warm up period will only consume extra fuel. The engine is warmed up enough for driving when the bar graph of engine coolant temperature display starts to move. Refer to “Interrupt display screen (When the ignition switch is in the “ON” position)” on page 3-178.

⚠ WARNING

- Never run the engine in a closed or poorly ventilated area any longer than is needed to move your vehicle out of the area. Carbon monoxide gas, which is odorless and extremely poisonous, could build up and cause serious injury or death.

⚠ CAUTION

- Do not push-start the vehicle.
- Do not run the engine at high rpms or drive at high speeds until the engine has had a chance to warm up.
- Release the ignition switch as soon as the engine starts. Otherwise, the starter motor will be damaged.

Starting the engine

Your vehicle is equipped with an electronically controlled fuel injection system. This is a system that automatically controls fuel injection. There is no need to depress the accelerator pedal when starting the engine.

The starter motor should not be run for more than 15 seconds at a time.

To prevent battery drain, wait a few seconds between attempts to restart the engine.

1. Make sure all occupants are properly seated with seat belts fastened.
2. Press and hold the brake pedal down with your right foot.

Features and controls

3. Make sure the selector lever is in the “P” (PARK) position.
4. While pushing the ignition switch from “LOCK” (PUSH OFF) to “LOCK” (PUSH ON), set the ignition switch to the “ON” position and confirm that all warning lights and warning displays are operating properly.
5. Without pressing the accelerator pedal, slowly turn the ignition switch to the “START” position to start the engine. Release the ignition switch when the engine starts.

NOTE

- Minor noises may be heard on engine start-up. These will disappear as the engine warms up.

When the engine is hard to start

After several attempts, you may experience that the engine still does not start.

1. Make sure that all electric devices, such as lights, air conditioning blower and rear window defogger, are turned off.
2. While depressing the brake pedal, press the accelerator pedal halfway and hold it there, then crank the engine. Release the accelerator pedal, immediately after the engine starts.

Features and controls

3. If the engine still will not start, the engine could be flooded with too much gasoline. While depressing the brake pedal, push the accelerator pedal all the way down and hold it there, then crank the engine for 5 to 6 seconds. Return the ignition switch to the "LOCK" position and release the accelerator pedal. Wait a few seconds, and then crank the engine again for 5 to 6 seconds while depressing the brake pedal, but do not push the accelerator pedal. Release the ignition key if the engine starts. If the engine fails to start, repeat these procedures. If the engine still will not start, contact your local Mitsubishi Motors dealer or a repair facility of your choice for assistance.

NOTE

- To protect the engine, the high-speed mode may not be selected while the engine coolant temperature is low. In such a case, the engine revolutions do not rise to over 5,000 rpm even if the accelerator pedal is depressed.

3 Startability of the engine with an ambient temperature of -22 °F (-30 °C) or lower

When the ambient temperature is -22 °F (-30 °C) or lower, it may not be possible to start from a standstill even with the selector lever in the "D" (DRIVE) position.

This phenomenon occurs because the transaxle has not warmed up sufficiently; it does not indicate a problem. If this occurs, place the selector lever in the "P" (PARK) position and let the engine idle for at least 10 minutes.

The transaxle will warm up, and you will be able to start normally.

Do not leave the vehicle during warm-up operation.

Using the MIVEC engine (3.0 liter models)

The MIVEC engine automatically switches its intake-valve control between a low-speed mode and a high-speed mode in accordance with driving conditions for maximum engine performance.

To operate without using the F.A.S.T.-key

N00514800017

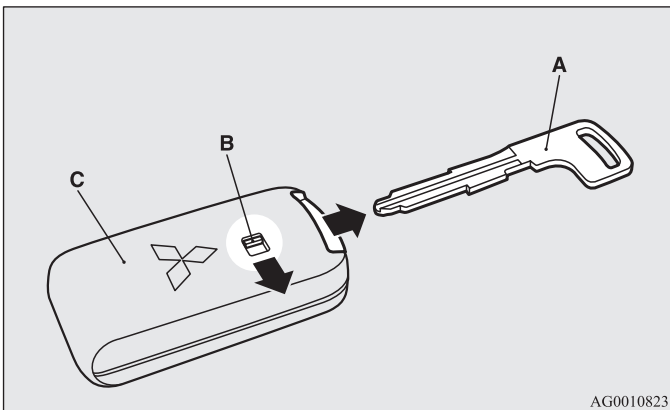
Emergency key

N00515200119

The emergency key is built into the F.A.S.T.-key.

When the F.A.S.T.-key cannot be used, such as when the battery of the F.A.S.T.-key or the vehicle has run down, the emergency key can be used to lock and unlock the driver's door and to start the engine.

To use the emergency key (A), unlock the lock knob (B) and remove it from the F.A.S.T.-key (C).



AG0010823

NOTE

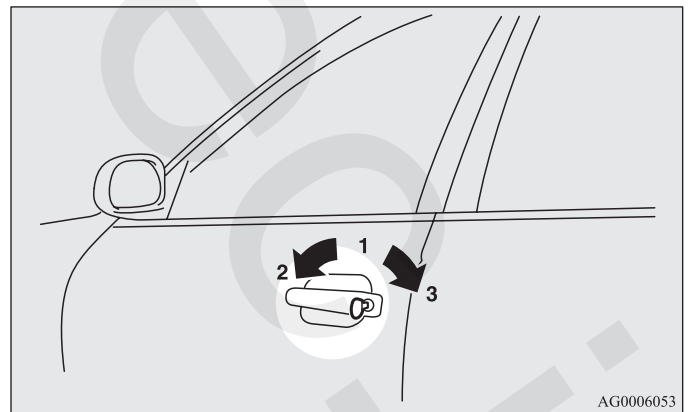
- Only use the emergency key in an emergency. When the battery of the F.A.S.T.-key has run down, replace the battery as soon as possible and use it as a F.A.S.T.-key again.

Features and controls

- After using the emergency key, be sure to reinsert it into the F.A.S.T.-key.
- The glove compartment can only be locked and unlocked with the emergency key. When depositing the key at a hotel or lending the vehicle to another person, remove the emergency key as required and hand over only the F.A.S.T.-key.

Locking and unlocking the driver's door

Turn the emergency key toward the front of the vehicle to lock the door. After checking that the door is locked, turn the emergency key back to the center and remove it.



AG0006053

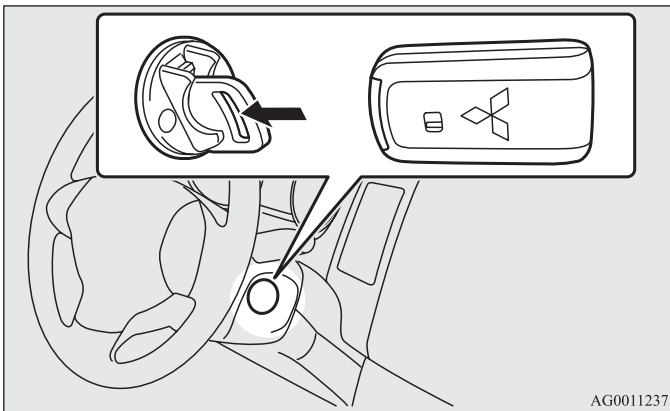
- 1- Insert or remove the emergency key
- 2- Lock
- 3- Unlock

Features and controls

Ignition switch

To prevent vehicle theft, only the emergency key with the pre-registered F.A.S.T.-key inserted can start the engine. (Electronic immobilizer function)

N00529300124



3

LOCK

The engine is off and the steering wheel is locked. The emergency key can be inserted and removed only when the ignition switch is in this position.

ACC

The electrical accessories can be used with the engine off.

ON

The engine will start only by using the emergency key with the F.A.S.T.-key inserted. It is possible to use all electrical accessories with only the emergency key.

START

Engages the starter. Release the emergency key when the engine starts. The ignition switch returns automatically to the "ON" position.

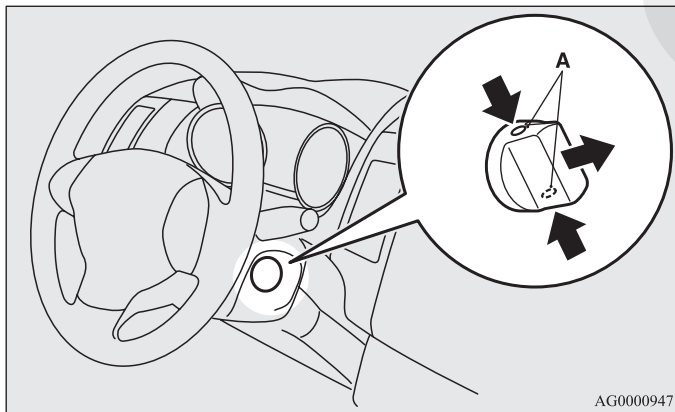
NOTE

- The vehicle is equipped with an electronic immobilizer. To start the engine, the ID code which the transponder inside the key sends must match the one registered to the immobilizer computer. (Refer to "Electronic immobilizer (Anti-theft starting system)" on page 3-43.)

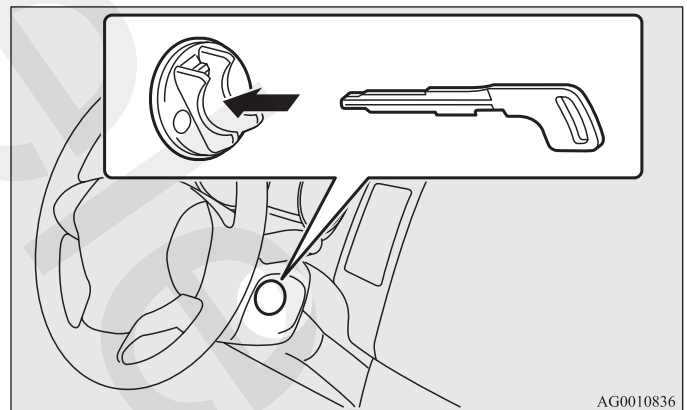
Features and controls

To turn from “LOCK” to “ACC”

1. Remove the emergency key from the F.A.S.T.-key.
Refer to “Emergency key” on page 3-35.
2. While pushing the lock release buttons (A), remove the cover of the ignition switch.



3. Insert the emergency key into the ignition switch, and slowly push and turn.



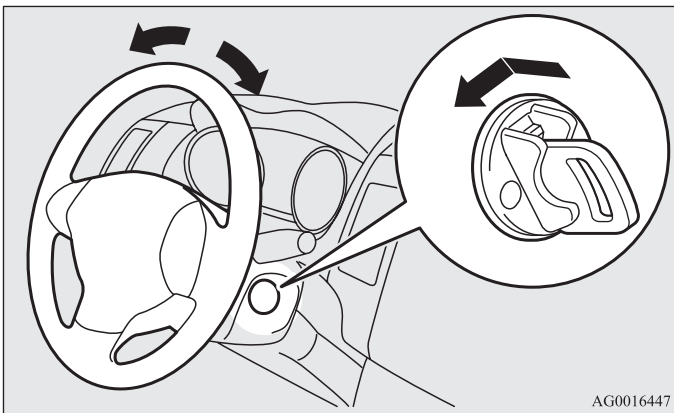
NOTE

- When the ignition switch cannot be turned from the “LOCK” position to the “ACC” position, turn the ignition switch while turning the steering wheel in both directions.

Features and controls

To turn from “ACC” to “LOCK”

1. Push the emergency key in at the “ACC” position and keep it depressed until it is turned to the “LOCK” position, and remove.



NOTE

- The emergency key cannot be removed unless the selector lever is set to the “P” (PARK) position.
2. Install the cover of the ignition switch.
 3. Reinsert the emergency key into the F.A.S.T.-key.

NOTE

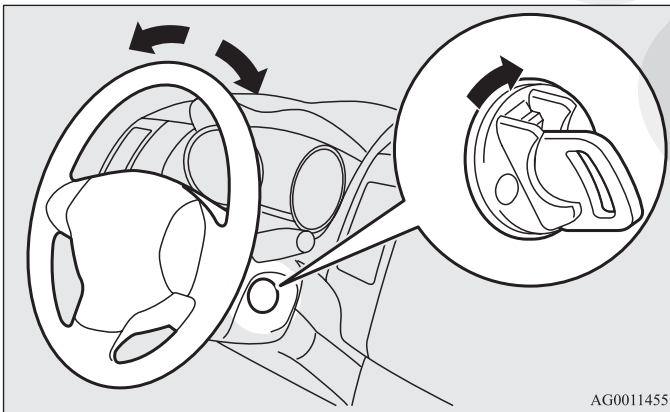
- Always install the cover of the ignition switch when not using the emergency key. Not doing so could cause damage if foreign material such as dust gets into the keyhole of the ignition switch.

CAUTION

- If the engine is stopped while driving, the power brake booster will stop functioning and greater effort for braking will be required. Also, the power steering system will not function and it will require greater effort to manually steer the vehicle.
- Do not leave the ignition switch in the “ON” or “ACC” position for a long time when the engine is not running. The battery will run down.
- Do not turn the ignition switch to the “START” position when the engine is running. It will damage the starter motor.

Steering wheel lock

N0052940024



To lock

Turn the emergency key to the “LOCK” position.
Turn the steering wheel until it is locked.

To unlock

Turn the emergency key to the “ACC” position while moving the steering wheel slightly.

NOTE

- If the front wheels are turned, the anti-theft lock may sometimes make it difficult to turn the emergency key from “LOCK” to “ACC”. Firmly turn the steering wheel to the left or to the right as you turn the emergency key.

⚠ CAUTION

- Remove the emergency key when leaving the vehicle.
- If your vehicle needs to be towed, turn the emergency key to the “ACC” position to unlock the steering wheel.

Features and controls

Starting

N00529500067

Tips for starting

- Do not operate the starter motor continuously for longer than 15 seconds as this could run the battery down or damage the starter motor. If the engine does not start, turn the emergency key back to the “LOCK” position, wait a few seconds, and then try again. Trying repeatedly with the engine or starter motor still turning will damage the starter mechanism.
- If the engine will not start because the battery is weak or discharged, refer to “Jump-starting the engine” on page 6-2 for instructions.
- A longer warm up period will only consume extra fuel. The engine is warmed up enough for driving when the bar graph of engine coolant temperature display starts to move. Refer to “Interrupt display screen (When the ignition switch is in the “ON” position)” on page 3-178.

⚠ WARNING

- **Never run the engine in a closed or poorly ventilated area any longer than is needed to move your vehicle out of the area. Carbon monoxide gas, which is odorless and extremely poisonous, could build up and cause serious injury or death.**

⚠ CAUTION

- **Do not push-start the vehicle.**
- **Do not run the engine at high rpms or drive at high speeds until the engine has had a chance to warm up.**
- **Release the emergency key as soon as the engine starts. It will damage the starter motor.**

Starting the engine

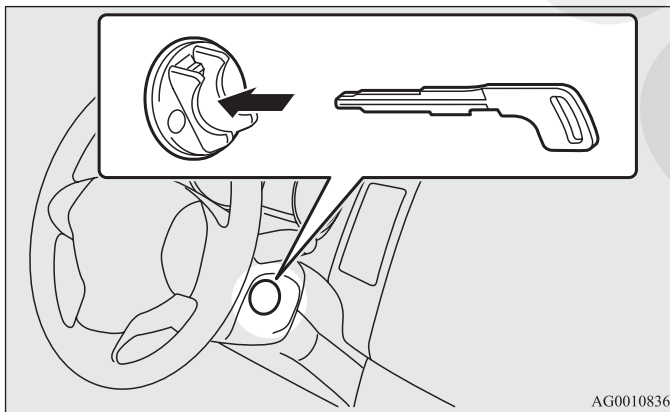
The vehicle is equipped with an electronically controlled fuel injection system. This is a system that automatically controls the fuel injection. There is no need to depress the accelerator pedal when starting the engine.

The starter motor should not be run for more than 15 seconds at a time.

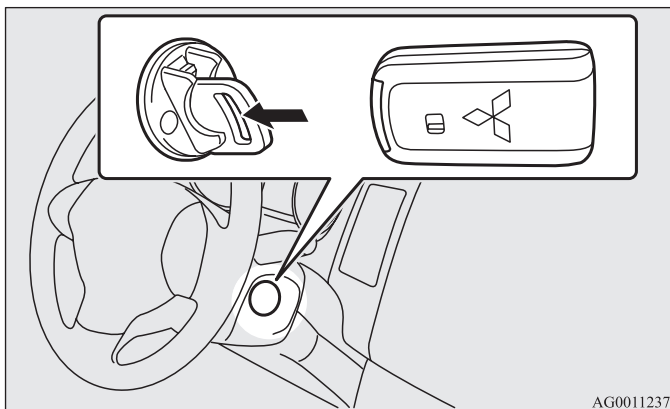
To prevent battery drain, wait a few seconds between attempts to restart the engine.

1. Make sure all occupants are properly seated with seat belts fastened.
2. Remove the cover of the ignition switch.

3. Insert the emergency key into the ignition switch.



4. Insert the F.A.S.T.-key into the emergency key.



Features and controls

5. Press and hold the brake pedal down with your right foot.
6. Make sure the selector lever is in the “P” (PARK) position.
7. Turn the emergency key with the F.A.S.T.-key to the “ON” position and make certain that all warning lights and warning displays are functioning properly before starting the engine.
8. Turn the emergency key with the F.A.S.T.-key to the “START” position without pressing the accelerator pedal. Release the emergency key with the F.A.S.T.-key when the engine starts.
9. Remove the F.A.S.T.-key from the emergency key.

⚠ WARNING

- Make sure to remove the F.A.S.T.-key from the emergency key after the engine is started. If not removed, the F.A.S.T.-key could fall to the floor, which could disturb the pedal operation.

Features and controls

When the engine is hard to start

After several attempts, you may experience that the engine still does not start.

1. Make sure that all electric devices, such as lights, air conditioning blower and rear window defogger, are turned off.
2. While depressing the brake pedal, press the accelerator pedal halfway and hold it there, then crank the engine. Release the accelerator pedal, immediately after the engine starts.
3. If the engine still will not start, the engine could be flooded with too much gasoline. While depressing the brake pedal, push the accelerator pedal all the way down and hold it there, then crank the engine for 5 to 6 seconds. Return the ignition switch to the "LOCK" position and release the accelerator pedal. Wait a few seconds, and then crank the engine again for 5 to 6 seconds while depressing the brake pedal, but do not push the accelerator pedal. Release the ignition key if the engine starts. If the engine fails to start, repeat these procedures. If the engine still will not start, contact your local Mitsubishi Motors dealer or a repair facility of your choice for assistance.

Starting the engine with an ambient temperature of -22°F (-30 °C) or lower

When the ambient temperature is -22 °F (-30 °C) or lower, it may not be possible to start from a standstill even with the selector lever in the "D" (DRIVE) position.

This occurs because the transaxle has not warmed up sufficiently; it does not indicate a problem. If this occurs, place the selector lever in the "P" (PARK) position and let the engine idle for at least 10 minutes.

The transaxle will warm up, and you will be able to start normally.

Do not leave the vehicle during warm-up operation.

Using the MIVEC engine (3.0 liter models)

The MIVEC engine automatically switches its intake-valve control between a low-speed mode and a high-speed mode in accordance with driving conditions for maximum engine performance.

NOTE

- To protect the engine, the high-speed mode may not be selected while the engine coolant temperature is low. In such a case, the engine revolutions do not rise to over 5,000 rpm even if the accelerator pedal is depressed.

Features and controls

Electronic immobilizer (Anti-theft starting system)

N00529600055

The electronic immobilizer is designed to significantly reduce the possibility of vehicle theft. The purpose of the system is to immobilize the vehicle if an invalid start is attempted. A valid start attempt can only be achieved (subject to certain conditions) using a F.A.S.T.-Key “registered” to the immobilizer system.

All of the keys provided with your new vehicle have been programmed to the vehicle’s electronics.

Replacement F.A.S.T.-keys

N00561000042

Only the F.A.S.T.-keys that have been programmed to the vehicle’s electronics can be used to start the vehicle.

If you lose the F.A.S.T.-key, you can order a F.A.S.T.-key from your authorized Mitsubishi Motors dealer by referring to the key number.

To prevent vehicle theft, take your vehicle and the remaining F.A.S.T.-keys to an authorized Mitsubishi Motors dealer to have the ID codes reprogrammed.

Additional F.A.S.T.-keys

N0056100014

To add a F.A.S.T.-key, you must already have 2 registered F.A.S.T.-keys. You need to register the ID code to the vehicle. Registering the ID code can be done by your authorized Mitsubishi Motors dealer. Or it can be done by yourself (except for vehicles sold in Canada).

For you to register the ID code yourself, follow the “Customer F.A.S.T.-key programming” procedure below.

If you choose to have your authorized Mitsubishi Motors dealer register the ID code, take your vehicle and all remaining F.A.S.T.-keys to your authorized Mitsubishi Motors dealer.

NOTE

- You are provided with 2 F.A.S.T.-keys, but you may register up to 4 F.A.S.T.-keys.
You can obtain blank F.A.S.T.-keys specially cut for your vehicle from your Mitsubishi Motors dealer.

Features and controls

Customer F.A.S.T.-key programming (Except for vehicles sold in Canada)

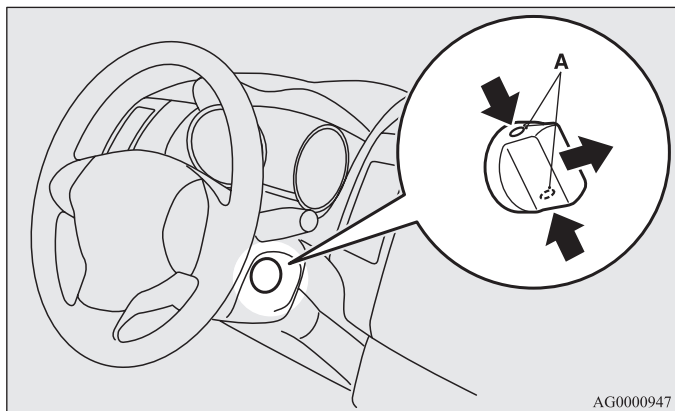
N00561200132

You can program new F.A.S.T.-keys to the system if you have two valid (already registered) F.A.S.T.-keys, blank (not registered) F.A.S.T.-key and emergency key (specially cut for your vehicle at your Mitsubishi Motors dealer).

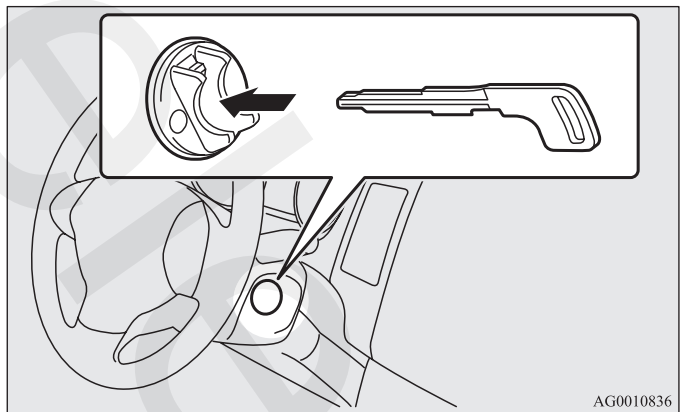
To use the new F.A.S.T.-key, it is necessary to register the key with both the electronic immobilizer and keyless entry system. Also refer to “Keyless entry system : Customer F.A.S.T.-key programming” on page 3-50.

For F.A.S.T.-key programming, follow the procedures below.

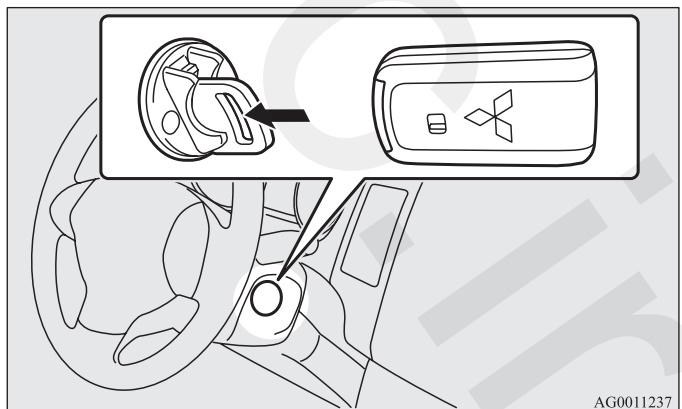
1. Remove the emergency key from the F.A.S.T.-key. Refer to “Emergency key” on page 3-35.
2. While pushing the lock release buttons (A), remove the cover of the ignition switch.



3. Insert the emergency key into the ignition switch.



4. Insert the first valid F.A.S.T.-key into the emergency key.



5. Turn the emergency key with the F.A.S.T.-key to the “ON” position for 5 seconds.
6. Turn the emergency key with the F.A.S.T.-key to the “LOCK” position. Within 30 seconds after doing so, remove the F.A.S.T.-key from the emergency key, insert the second valid F.A.S.T.-key into the emergency key and turn it to the “ON” position. About 10 seconds later, the immobilizer display will start to blink.
7. When the immobilizer display starts blinking, turn the second valid F.A.S.T.-key to the “LOCK” position and remove it. Within 30 seconds after doing so, insert a blank F.A.S.T.-key into the emergency key and turn it to the “ON” position. Perform this operation no more than 30 seconds after the immobilizer display starts blinking. When registration of the ID code is complete, the immobilizer display will come on for 3 seconds then go off. If an error occurs, the immobilizer display will go off during the procedure.



8. If you wish to register another F.A.S.T.-key, repeat the process from step 1.

Features and controls

Features and controls

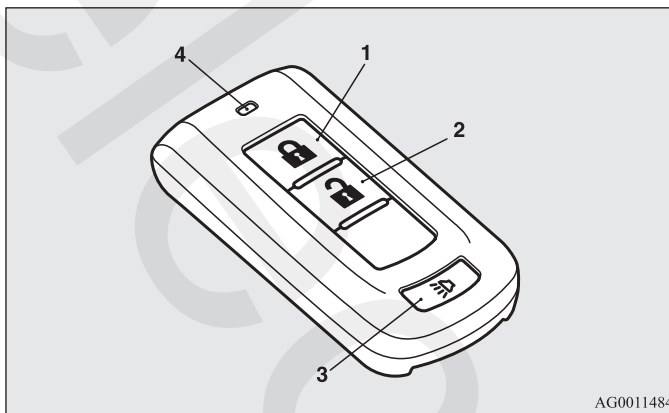
NOTE

- Perform the operation when the interrupt display screen is not showing. The interrupt display screen may prevent you from seeing the immobilizer display.
- It is not possible to register a F.A.S.T.-key if:
 - the immobilizer display goes off during the procedure
 - the immobilizer display does not come on within 30 seconds after turning the ignition switch to the “ON” position with a blank F.A.S.T.-key
- The procedure will be terminated automatically if:
 - a period of 30 seconds or longer elapses from the moment when the first F.A.S.T.-key is turned to the “LOCK” position to the moment when the second F.A.S.T.-key is turned to the “ON” position
 - a period of 30 seconds or longer elapses from the moment when the second F.A.S.T.-key is turned to the “LOCK” position to the moment when the blank F.A.S.T.-key is turned to the “ON” position
- To use the new remote control transmitters, it is necessary to register the key with both the electronic immobilizer and keyless entry system.
 Also refer to “Keyless entry system: Customer F.A.S.T.-key programming” on page 3-50.

Keyless entry system

N00515500183

Press the remote control transmitter buttons to lock or unlock the doors and the tailgate. It can also help you signal for attention by setting off the panic alarm.



AG0011484

- 1- LOCK (🔒) button
- 2- UNLOCK (🔓) button
- 3- PANIC button
- 4- Operation indicator light

To lock

Press the LOCK button (1) to lock all the doors and the tailgate.
The turn signal lights will also blink once.

NOTE

- If you press the LOCK button (1) twice, the horn will sound once.

To unlock

Press the UNLOCK button (2) to unlock the driver's door only. Within about 2 seconds, press the UNLOCK button one more time to unlock all the doors and tailgate.

The dome light will turn on for 30 seconds. The turn signal lights will also blink twice.

The front side-marker and parking lights will also turn on for about 30 seconds. Refer to "Welcome light" on page 3-222.

NOTE

- On a vehicle equipped with a Mitsubishi Multi-Communication System, the functions can be adjusted on the screen. For details, refer to the separate operation manual.
- The door and tailgate unlock function can be set so that all doors and tailgate unlock when the UNLOCK button (2) is pressed once.
Refer to "Setting of door and tailgate unlock function" on page 3-49.

Answerback function

The horn and turn signal lights of the keyless entry system answerback function can be changed as required. This is done with the key removed from the ignition switch.

NOTE

- The answerback function does not operate when the key is in the ignition switch.

Horn deactivation/reactivation

The answerback function can be set in the following three ways.

- One chime: The horn will not sound.
- Two chimes: The horn will sound.
- Four chimes: The horn will sound if the LOCK button is pressed twice within 1 second.

1. Turn the ignition switch to the "LOCK" position. If you started the engine with the key, remove the key from the ignition switch.
2. Open the driver's door and turn the combination headlights and dimmer switch to the "OFF" position.
3. Press the LOCK button (1) for 4 to 10 seconds and press the UNLOCK button (2) during this time.
4. Release in sequence the UNLOCK and LOCK buttons within 10 seconds of pressing the UNLOCK button in step 3.

NOTE

- On a vehicle equipped with a Mitsubishi Multi-Communication System, the functions can be adjusted on the screen. For details, refer to the separate operation manual.

Features and controls

Turn signal light deactivation/reactivation

The answerback function from the turn signal lights can be turned ON or OFF separately.

1. Turn the ignition switch to the "LOCK" position. If you started the engine with the key, remove the key from the ignition switch.
2. Open the driver's door and turn the combination headlights and dimmer switch to the "OFF" position.
3. Press the UNLOCK button (2) for 4 to 10 seconds and press the LOCK button (1) during this time.

4. Release in sequence the UNLOCK and LOCK buttons within 10 seconds of pressing the LOCK button in step 3.

Number of chimes	To lock	To unlock
One chime	One flash	Two flashes
Two chimes	One flash	No flash
Three chimes	No flash	Two flashes
Four chimes	Two flashes	One flash
Five chimes	No flash	One flash
Six chimes	Two flashes	No flash
Seven chimes	No flash	No flash

NOTE

- On a vehicle equipped with a Mitsubishi Multi-Communication System, the functions can be adjusted on the screen. For details, refer to the separate operation manual.

Buzzer deactivation/reactivation

The buzzer answerback function can be turned ON or OFF as required.

NOTE

- On a vehicle equipped with a Mitsubishi Multi-Communication System, the functions can be adjusted on the screen. For details, refer to a separate operation manual.

Features and controls

Setting of door and tailgate unlock function

N0054460069

The door and tailgate unlock function can be set to the following two conditions.

Each time the door and tailgate unlock function is set, a chime will sound to tell you the condition of the door and tailgate unlock function.

Number of chimes	Condition
One chime	All doors and the tailgate unlock
Two chimes	Driver's door unlock only

1. Turn the ignition switch to the "LOCK" position. If you started the engine with the key, remove the key from the ignition switch.
2. Open the driver's door and turn the combination headlights and dimmer switch to the "OFF" position.
3. Press the LOCK button (1) for 4 to 10 seconds and press the UNLOCK button (2) during this time.
4. Release in sequence the LOCK and UNLOCK buttons within 10 seconds of pressing the LOCK button in step 3.

NOTE

- On a vehicle equipped with a Mitsubishi Multi-Communication System, the functions can be adjusted on the screen. For details, refer to the separate operation manual.

Using the panic alarm

N00544700031

If you are near your vehicle and feel threatened, you can activate the alarm to call attention as follows:

1. Press the PANIC button (3) for more than 1 second.
2. The headlights will blink on and off and the horn will sound intermittently for about 3 minutes.
3. To turn off the alarm, press any button on the remote control transmitter.

Replacement F.A.S.T.-keys

N00561300016

Only F.A.S.T.-keys, which have been programmed into the vehicle's electronics, can lock and unlock all the doors and the tailgate, and start the engine.

Each time the answerback function is set, a chime will sound to tell you the condition of the answerback function.

If you lose your F.A.S.T.-key, to prevent vehicle theft, the ID code must be changed.

Take your vehicle and all remaining F.A.S.T.-keys to your authorized Mitsubishi Motors dealer to have your ID code changed.

Features and controls

Additional F.A.S.T.-keys

N00561400017

To add a F.A.S.T.-key, you must already have 2 registered F.A.S.T.-keys.

Registering the ID code can be done by yourself or by your authorized Mitsubishi Motors dealer. Or it can be done by yourself (except for vehicles sold in Canada). For you to register the ID code yourself, follow the “Customer F.A.S.T.-key programming” procedure below.

If you choose to have your authorized Mitsubishi Motors dealer register the ID code, take your vehicle and all remaining F.A.S.T.-keys to your authorized Mitsubishi Motors dealer.

3 NOTE

- You are provided with 2 F.A.S.T.-keys, but you may register up to 4 F.A.S.T.-keys.

Customer F.A.S.T.-key programming (Except for vehicles sold in Canada)

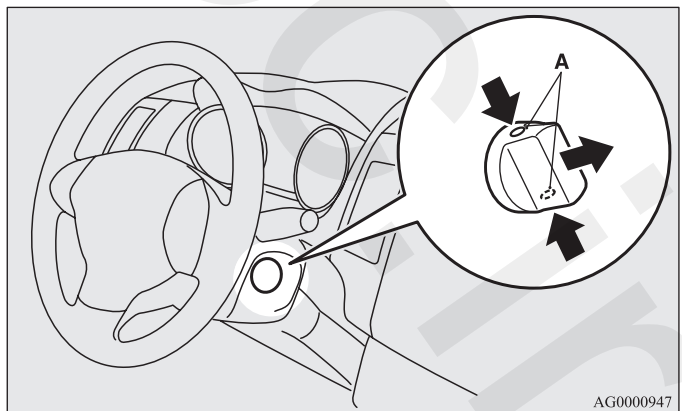
N00561500089

You can program new F.A.S.T.-keys to the system if you have two valid (already registered) F.A.S.T.-keys, blank (not registered) F.A.S.T.-key and emergency key (specially cut for your vehicle at your Mitsubishi Motors dealer).

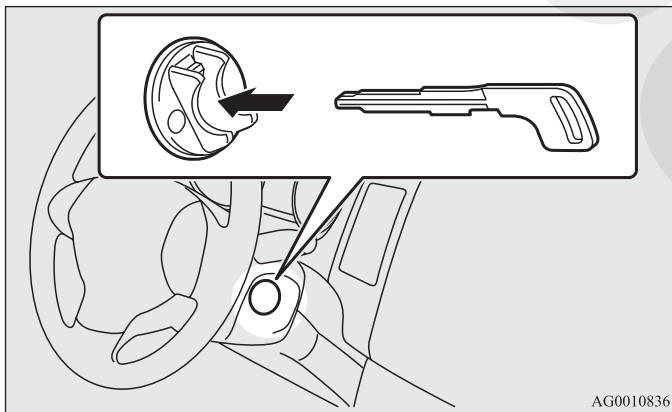
To use the new F.A.S.T.-key, it is necessary to register the key with both the electronic immobilizer and keyless entry system. Also refer to “Electronic immobilizer : Customer F.A.S.T.-key programming” on page 3-44.

For F.A.S.T.-key programming, follow the procedures below.

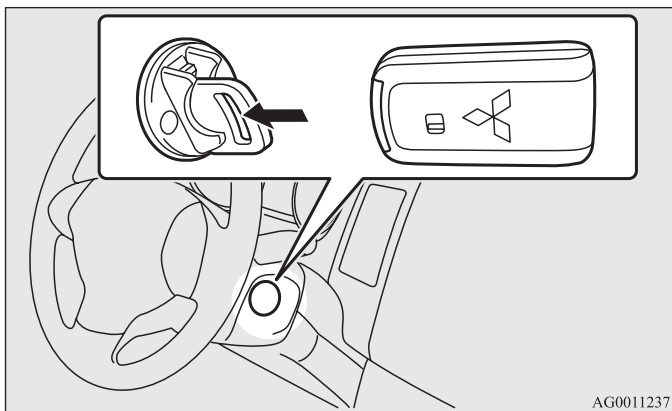
1. Remove the emergency key from the F.A.S.T.-key. Refer to “Emergency key” on page 3-35.
2. While pushing the lock release buttons (A), remove the cover of the ignition switch.



3. Insert the emergency key into the ignition switch.



4. Insert the valid F.A.S.T.-key into the emergency key.



Features and controls

5. Turn the emergency key with F.A.S.T.-key to the “ON” position. (Perform the following procedure within 30 seconds)
6. Remove the F.A.S.T.-key from the emergency key.
7. With the first valid F.A.S.T.-key, press the UNLOCK button for 4 to 10 seconds and press the LOCK button during this time.
8. Release in sequence the LOCK and UNLOCK buttons within 10 seconds of pressing the LOCK button in step 7. (Perform the following procedure within 30 seconds)
9. With the second valid F.A.S.T.-key, press the UNLOCK button for 4 to 10 seconds and press the LOCK button during this time.
10. Release in sequence the LOCK and UNLOCK buttons within 10 seconds of pressing the LOCK button in step 9, and the immobilizer display will blink on the information screen in the multi-information display. (Perform the following procedure within 60 seconds)
11. Press the LOCK button twice with the blank F.A.S.T.-key and the immobilizer display will come on for 30 seconds on the information screen in the multi-information display.
12. This completes the registration of the F.A.S.T.-key.

Features and controls

NOTE

- The indicator light (4) comes on each time a button is pressed.
- The keyless entry system does not work if the key is in the ignition switch.
- The F.A.S.T.-key can be used from about 40 feet (12 m) away. However, this distance may change if your vehicle is near a TV transmitting tower, a power station, or a radio station.
- If the UNLOCK button (2) is pressed when all doors and the tailgate are locked and no doors or the tailgate are opened within about 30 seconds, the doors and the tailgate will automatically re-lock.

On a vehicle equipped with a Mitsubishi Multi-Communication System, the functions can be adjusted on the screen. For details, refer to the separate operation manual.

- If the following conditions are observed after pressing the LOCK (1) or UNLOCK (2) button on the remote control transmitter, the battery in the F.A.S.T.-key may need to be replaced.
 - The doors and the tailgate cannot be locked or unlocked.
 - The panic alarm cannot be operated.
 - The indicator light (4) is dim or does not come on.
- If you lose your F.A.S.T.-key, please contact an authorized Mitsubishi Motors dealer for a replacement.
- If you wish to obtain an additional F.A.S.T.-key, please contact an authorized Mitsubishi Motors dealer. A maximum of four F.A.S.T.-key can be programmed for your vehicle.

- To use the new remote control transmitters, it is necessary to register the key with both the electronic immobilizer and keyless entry system. Also refer to “Electronic immobilizer (Anti-theft starting system): Customer F.A.S.T.-key programming” on page 3-44.

General information

N0056200049

Your F.A.S.T.-key operates on a radio frequency subject to Federal Communications Commission (FCC) Rules (For vehicles sold in U.S.A.) and Industry Canada Rules (For vehicles sold in Canada). This device complies with Part 15 of the FCC Rules and RSS-Gen of the Industry Canada Rules. Operation is subject to the following two conditions.

- This device may not cause harmful interference.
- This device must accept any interference received, including interference that may cause undesired operation.

⚠ CAUTION

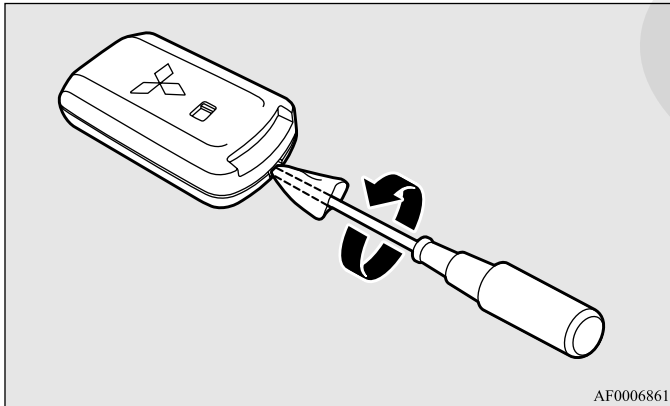
- Changes or modifications not expressly approved by the manufacturer for compliance could void the user's authority to operate the equipment.

Procedure for replacing the remote control transmitter battery

N00562100040

1. Before replacing the battery, remove static electricity from your body by touching a metal grounded object.

2. With the Mitsubishi mark facing you, insert the cloth-covered tip of a flat blade screwdriver into the notch in the case and use it to open the case.



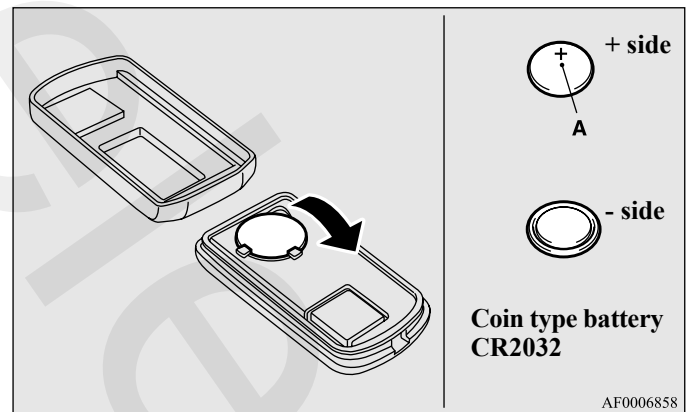
NOTE

- Be sure to perform the procedure with the Mitsubishi mark facing you. If the Mitsubishi mark is not facing you when you open the case, the transmitter may come out.

3. Remove the old battery.

Features and controls

4. Install a new battery with the + side (A) up.



5. Close the case firmly.
6. Check the keyless entry system to see that it works.

NOTE

- You may purchase a replacement battery at an electric appliance store.
- An authorized Mitsubishi Motors dealer can replace the battery for you if you prefer.

⚠ CAUTION

- When the remote control transmitter case is opened, be careful to keep water, dust, etc. out. Also, do not touch the internal components.

Features and controls

Door locks

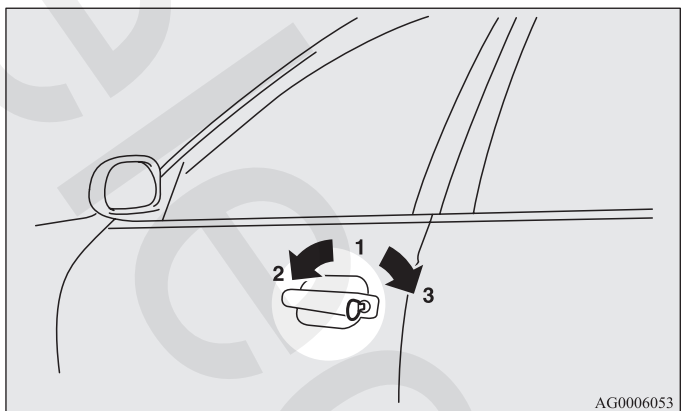
N00509200505

⚠ WARNING

- Make sure all doors are tightly closed and locked while driving.
 - Locked doors, in combination with the use of seat belts, can help reduce the risk of ejection in an accident.
 - Locked doors can help keep passengers, especially small children, from opening doors and falling out of moving vehicles.
 - Locked doors can help prevent outsiders from gaining access to your vehicle when you slow or come to a stop.
- Lock your vehicle whenever you leave it. Children who get into unlocked vehicles may not be able to get out. Children trapped inside vehicles can quickly be overcome by heat and suffer serious injury or death due to heat stroke.
- Never leave a child alone in the vehicle. In addition to the risk of heat stroke, children can activate switches and controls, resulting in an injury or fatal accident.
- When closing a door, make sure that the door is fully closed and the door-ajar warning display goes out on the information screen on the multi-information display. If the door is ajar it could open while driving and cause an accident.

To lock and unlock with the key (driver's door)

Turn the key toward the front of the vehicle to lock the door. After checking that the door is locked, turn the key back to the center and remove it.



- 1- Insert or remove the key
- 2- Lock
- 3- Unlock

NOTE

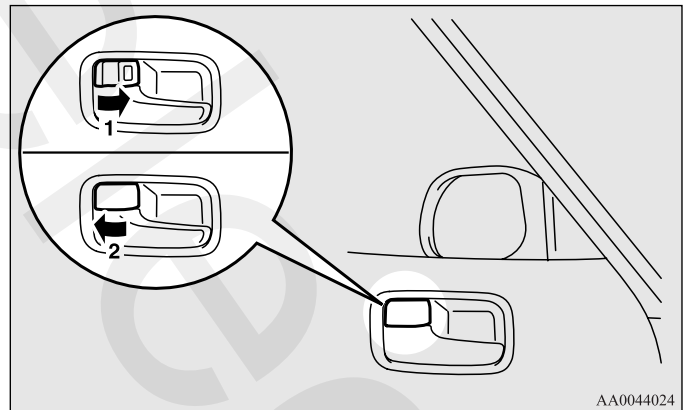
- When locking or unlocking with the key, only the driver's door will be locked or unlocked. To lock or unlock all doors and tailgate, use the power door lock switch, the keyless entry system or the F.A.S.T.-key operation. Refer to "Power door locks" on page 3-58, "Keyless entry system" on pages 3-9 and 3-46, and "To operate using the F.A.S.T.-key" on page 3-20.

- In vehicles equipped with the F.A.S.T.-key, the driver's door can be locked and unlocked using the emergency key. Refer to "Emergency key" on page 3-35.

Features and controls

To lock or unlock the door from the inside

Move the lock knob to the lock position to lock the door. All doors should be kept locked while driving.



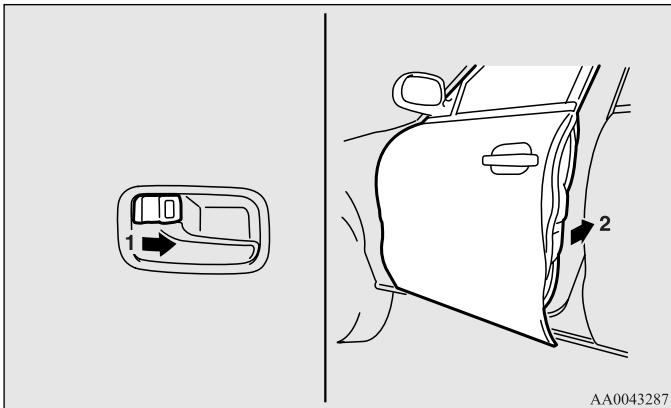
- 1- Lock
- 2- Unlock

The driver's door can be unlocked without using the lock knob by pulling on the inside door handle.

Features and controls

To lock the door without using the key

1. Move the inside lock knob to the locked position.
2. Be sure the keys are not inside the vehicle. Close the door.



Key reminder system

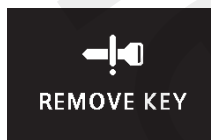
N00549600237

When a key was used to start the engine

Type 1



Type 2



If the ignition switch is turned off and the driver's door is opened with the key in the ignition switch, the key reminder buzzer will sound intermittently to remind you to remove the key.

The warning display will be displayed on the information screen in the multi-information display.

Lock out protection

N00517300026

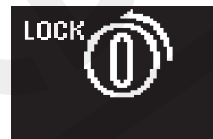
If the key is in the ignition switch when you push the lock knob forward with the driver's door or passenger's door open, the lock knob will automatically return to the unlocked position.

Ignition switch return reminder system (if so equipped)

N00503800118

When the F.A.S.T.-key was used to start the engine

Type 1



Type 2



If the driver's door is opened while the ignition switch is in a position other than "LOCK" (PUSH OFF), the ignition switch return reminder buzzer will sound intermittently to remind you to return the ignition switch to the "LOCK" (PUSH OFF) position.

The warning display will be displayed on the information screen in the multi-information display.

Features and controls

Power door locks

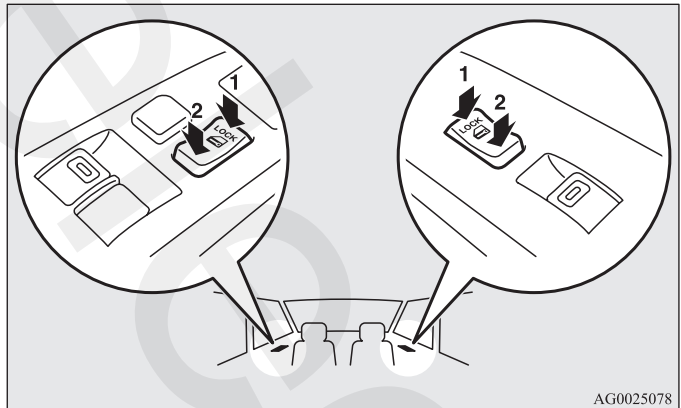
N00509300577

NOTE

- When locking or unlocking with the key on the driver's door, only the driver's door will lock or unlock.
- Repeated continuous operation between lock and unlock could activate the power door locking system's built-in protection circuit, and prevent the system from operating. If this occurs, wait about 1 minute before operating the power door lock switch.

To lock and unlock the doors and tailgate

Using the power door lock switch



- 1- Lock
- 2- Unlock

All of the doors and the tailgate can be locked or unlocked by pressing the power door lock switch on the driver's or the front passenger door.

To unlock the doors and tailgate

N00563400066

You can select the functions to unlock the doors and tailgate either using the ignition switch position or using the selector lever position.

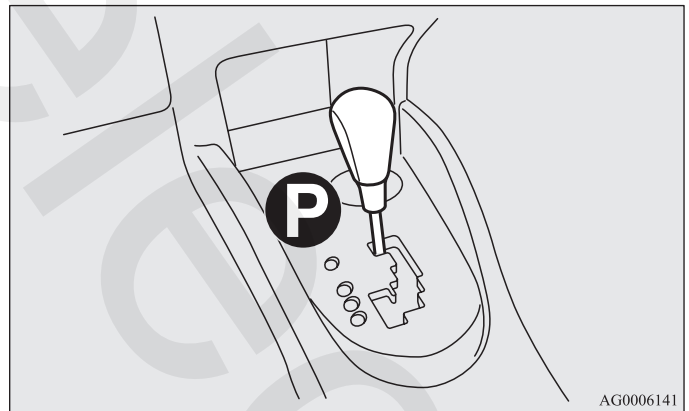
These functions are not activated when the vehicle is shipped from the factory. To activate or deactivate these functions, please contact your authorized Mitsubishi Motors dealer.

Using the ignition switch position

All doors and the tailgate will unlock when the ignition switch is turned to the "LOCK" position.

Using the selector lever position

All doors and the tailgate will unlock when the selector lever is moved to the "P" (PARK) position with the ignition switch in the "ON" position.



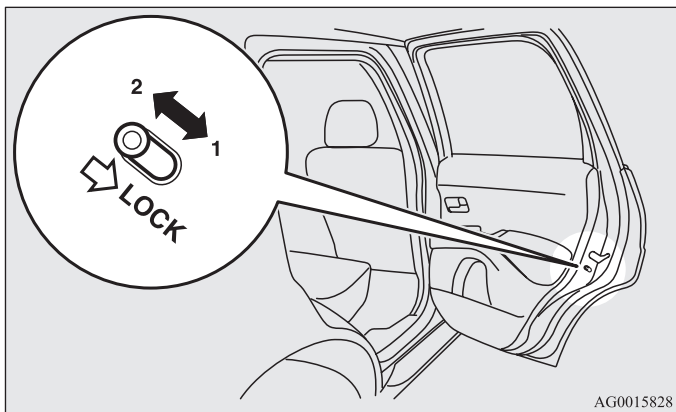
NOTE

- On a vehicle equipped with a Mitsubishi Multi-Communication System, the functions can be adjusted on the screen. For details, refer to a separate operation manual.

Features and controls

Child safety locks for rear door

N00509400217



- 1- To lock
- 2- To release

Child safety locks help prevent rear passengers, especially children, from opening the rear door using the inside door handle. A lock lever for the child safety lock is provided on each rear door.

When the lever is in the lock position (1), the rear door cannot be opened using the inside door handle.

To open the rear door when the child safety lock lever is in the lock position, pull the outside door handle.

When the lever is in the release position (2), the child safety lock is released and the rear door can be opened using the inside door handle.

⚠ WARNING

- Always keep the doors tightly closed and locked when driving. An unlocked door may be accidentally opened by a passenger, especially by a child who could fall out. Also, if the doors are not locked, there is a greater risk of someone being thrown from the vehicle in an accident.

Flap-fold tailgate

N00510100227

⚠ WARNING

- It is dangerous to drive with the tailgate (upper gate and lower gate) open since carbon monoxide (CO) gas can enter the passenger compartment. CO is an invisible, odorless gas that can cause unconsciousness and even death.
- When opening and closing the tailgate, make sure that there are no people nearby and be careful not to hit your head or pinch your hands, neck, etc.

⚠ CAUTION

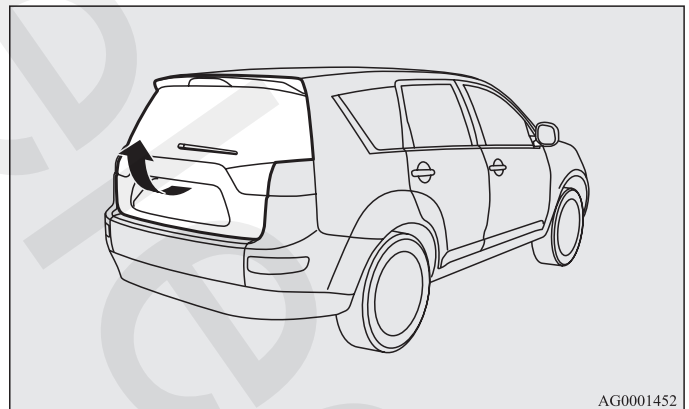
- Do not stand behind the exhaust pipe when loading and unloading luggage. Heat from the exhaust could lead to burns.

NOTE

- Locking and unlocking the doors by using power door locks (driver and front passenger side), keyless entry system, or F.A.S.T.-key operation (vehicles equipped with the F.A.S.T.-key) also locks and unlocks the tailgate.

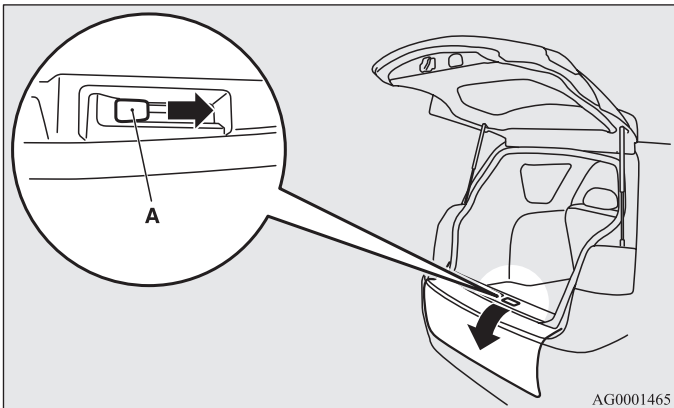
To open

1. After unlocking, raise the tailgate handle.



Features and controls

2. Move the lever (A) in the direction of the arrow, and slowly lower the lower gate.



3

CAUTION

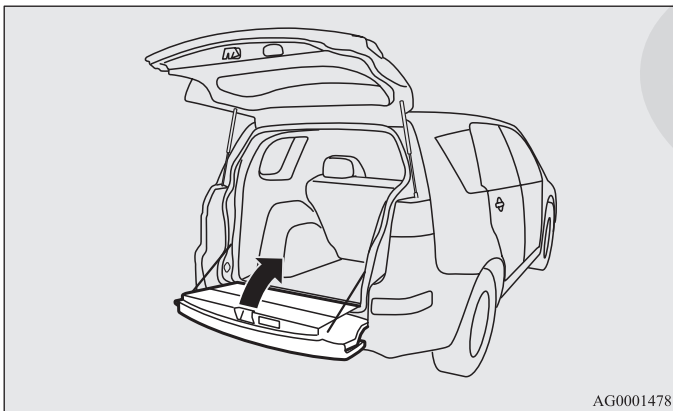
- Make sure there is no one standing nearby when opening the tailgate.
- Do not open the lower gate when a trailer hitch draw bar assembly is installed.
The lower gate could contact the trailer hitch and be damaged.

NOTE

- Do not jump onto the lower gate or subject it to strong impacts. Doing so could damage the lower gate.
- The upper gate cannot be raised if it is not raised immediately after pressing the tailgate OPEN switch. If this happens, raise the upper gate again after pressing the tailgate OPEN switch.
- It is not possible to open the tailgate while the battery is disconnected. If necessary, use the inside tailgate release.
- When the battery is reconnected, all doors and the tailgate will be locked. Unlock them before trying to open the tailgate.

To close

1. Raise the lower gate until it clicks and locks.

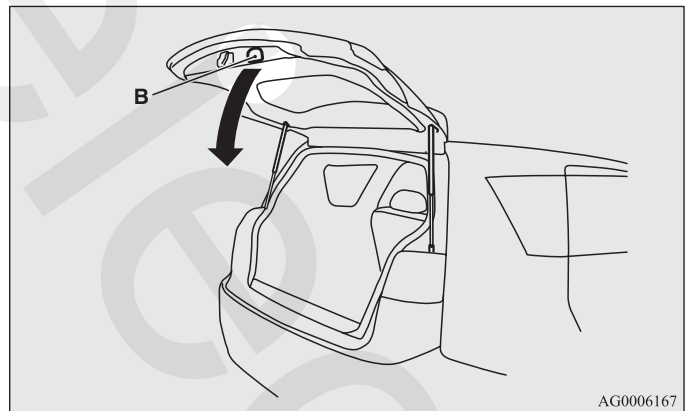


NOTE

- Before closing the upper gate, attempt to move the lower gate back and forth to ensure that it is locked securely. It will not be possible to close the upper gate unless the lower gate is securely closed.

Features and controls

2. Pull the upper gate grip (B) downward as illustrated and release it before the upper gate closes completely. Gently slam the upper gate from the outside so that it is completely closed.



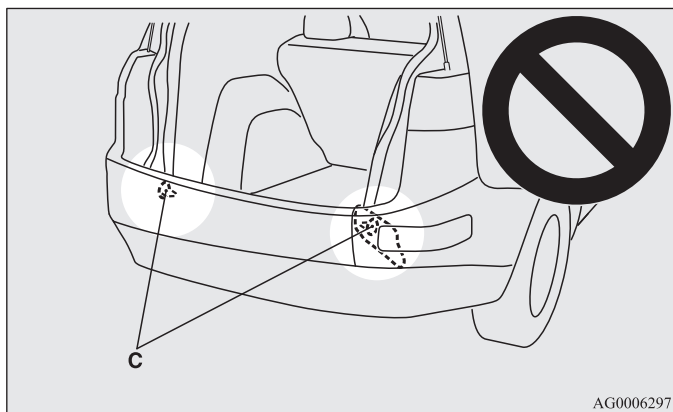
⚠ CAUTION

- To avoid injuring your hand or arm, do not attempt to close the upper gate without releasing the upper gate grip (B).
- Before starting the vehicle, be sure to confirm that the tailgate is locked. If the tailgate opens while driving the vehicle, objects stored in the luggage compartment could fall out into the road.

Features and controls

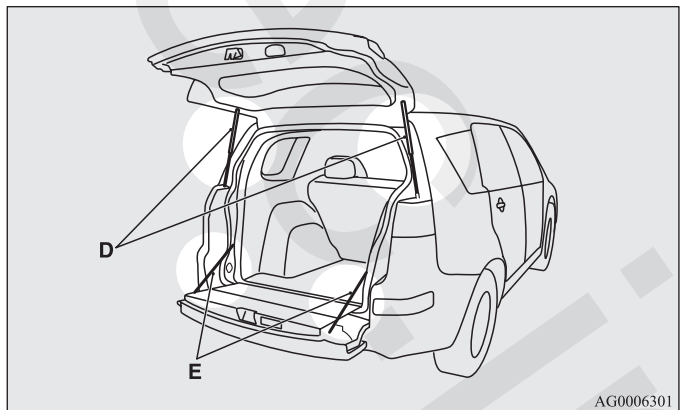
CAUTION

- When closing the lower gate, do not trap foreign material in the area of the striker (C). Doing so could damage the bar or make it impossible to close the lower gate.



NOTE

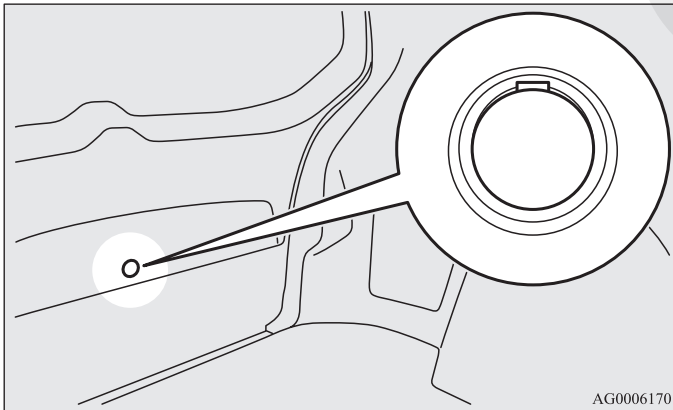
- Be sure to close the lower gate before closing the upper gate. Closing them in reverse sequence could make the gates hit each other, causing damage to the tailgate.
- Gas struts (D) and wires (E) are installed in the locations illustrated in order to support the tailgate. Please observe the following in order to prevent damage or faulty operation:
 - Do not touch, push or pull the gas struts or wires when closing the tailgate.
 - Do not attach any plastic material, tape, etc., to the gas struts or wires.
 - Do not tie string, etc., around the gas struts or wires.
 - Do not hang objects on the gas struts or wires.



Inside tailgate release

N00523100061

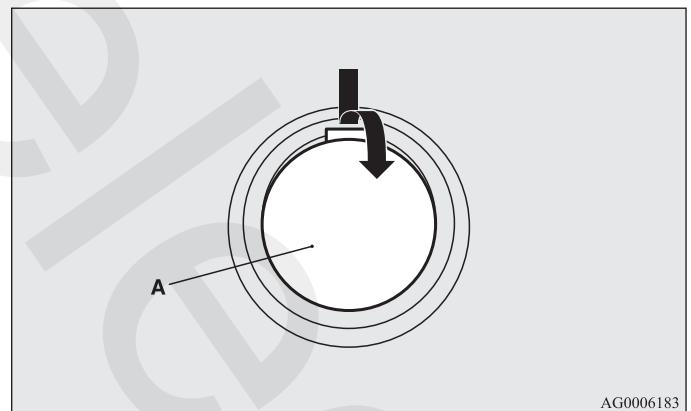
The inside tailgate release is designed to provide a way to open the tailgate if the battery is dead or disconnected. The tailgate release lever (see illustration) is mounted on the tailgate.



You and your family should familiarize yourselves with the location and operation of the tailgate release lever.

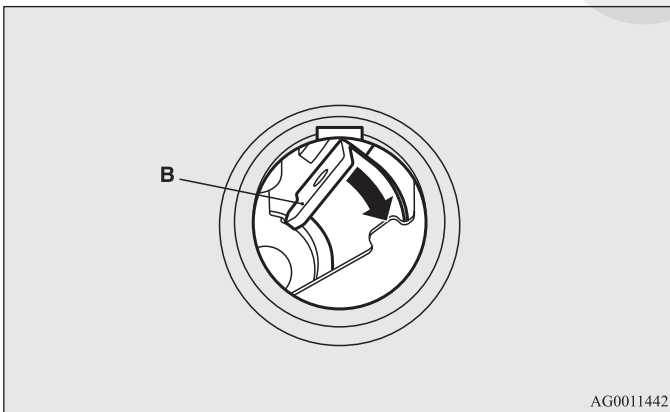
To open

1. Open the lid (A) inside of the tailgate.



Features and controls

2. Move the lever (B) to open the tailgate.



3. Push out on the upper gate to open it.
4. Slowly lower the lower gate.

CAUTION

- Always keep the release lever lid on tailgate closed when driving so that your luggage cannot accidentally bump the lever and open the tailgate.

Theft-alarm system

N00510200198

The theft-alarm system is designed to provide protection from unauthorized entry into the vehicle. This system is operated in three stages: the first is the “armed” stage, the second is the “alarm” stage, and third is the “disarmed” stage. If triggered, the system provides both audible and visual alarm signals.

CAUTION

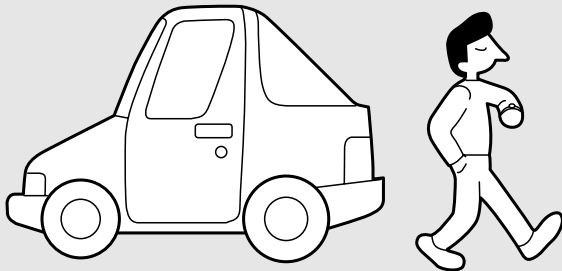
- Do not modify or add parts to the theft-alarm system. Doing so could cause the theft-alarm to malfunction.

Armed stage

Park the vehicle and stop the engine. Arm the system as described below.

1. Turn the ignition switch to the "LOCK" position.
Also, if a key was used to start the engine, remove the key from the ignition switch.
2. Make sure that the engine hood is closed.
3. Lock all doors and the tailgate by using the keyless entry system or the F.A.S.T.-key operation.

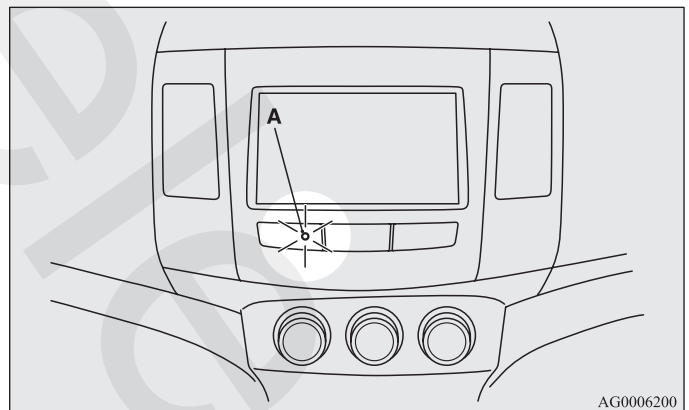
Arm the system and leave



AA0056858

Features and controls

At this time, the theft-alarm indicator (A) on the audio panel flashes for confirmation.



AG0006200

4. The system has entered the armed stage after about 20 seconds, when the theft-alarm indicator (A) flashing becomes slower.
The theft-alarm indicator (A) continues to flash while the system is in the armed stage.

Features and controls

NOTE

- If the engine hood is open, the theft-alarm indicator (A) illuminates and the system cannot enter the armed stage. The system enters the armed stage about 20 seconds after the engine hood is closed.
- The system will be disarmed if, while the theft-alarm indicator (A) is illuminated, all doors and the tailgate are unlocked by using the keyless entry system or the F.A.S.T.-key operation.
- The system will be disarmed if, while the theft-alarm indicator is illuminated, the ignition switch is turned to the "ON".
- The system will not be armed if a door, the tailgate or the engine hood is not completely closed. If this happens, rearm the system as described above.
- The theft-alarm system can be activated when people are riding inside the vehicle or when the windows are open. To prevent accidental activation of the alarm, do not set the system to the system armed mode while people are riding in the vehicle.
- For vehicles equipped with the interior alarm sensor, if the turn signal lights do not flash after the locking and unlocking operation using the keyless entry system or the F.A.S.T.-key operation, the theft-alarm system may be malfunctioning. Have the vehicle inspected by an authorized Mitsubishi Motors dealer. If the answerback function (flashing of the turn signal lights by locking and unlocking the doors and the tailgate) is deactivated, the turn signal lights do not flash after the locking and unlocking operation.

For information on the answerback function, refer to "Keyless entry system" on pages 3-9 and 3-46 and "To operate using the F.A.S.T.-key" on page 3-20.

- For vehicles equipped with the interior alarm sensor, the theft-alarm system could be activated in the following situations.
 - Using a car washer.
 - Taking the vehicle on a ferry.
 - Parking in an automated car park.
 - Leaving someone or a pet in the vehicle.
 - Leaving a window or the sunroof open.
 - Leaving an unstable object such as a stuffed toy or accessory in the vehicle.
- During a continuous impact or vibration by hail, thunder, etc. According to the situations, deactivate the vehicle inclination detection function and the interior intrusion detection function. Refer to "Theft-alarm system: To deactivate the vehicle inclination detection function and the interior intrusion detection function" on page 3-66.
- For vehicles equipped with the interior alarm sensor, the sensitivity of the interior intrusion detection function can be adjusted. For further details, please contact an authorized Mitsubishi Motors dealer.

Alarm stage

The alarm will be activated if any of the following occur while the vehicle is parked and the system is armed.

- One of the doors and the tailgate is opened without using the keyless entry system or the F.A.S.T.-key operation.
- The engine hood is opened.

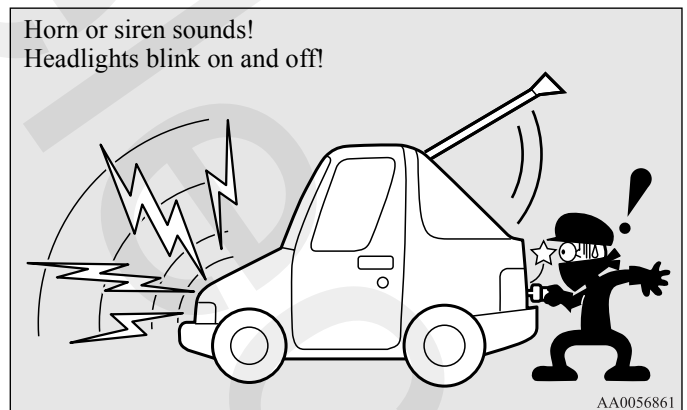
Also, for vehicles equipped with the interior alarm sensor, the alarm will be activated if any of the following occur.

- Attempt an unauthorized moving of the vehicle. (the vehicle inclination detection function)
- Detect a motion in the vehicle. (the interior intrusion detection function)
- Disconnect the battery terminal.

Type of alarm

When the alarm is activated:

1. The headlights blink on and off for 3 minutes. After 3 minutes the headlights automatically shut off.
2. The horn (the siren for vehicles equipped with the interior alarm sensor) will sound intermittently for 3 minutes.



NOTE

- The alarm will continue to operate for 3 minutes. At the end of that period, the alarm will automatically shut off to save battery power. The system will then be rearmed until the proper disarming step is taken.
- The alarm will resume if unauthorized actions are taken again, even if the alarm has stopped.

Features and controls

- While the alarm is operating, a warning is displayed on the information screen in the multi-information display.

Type 1



Type 2



3

Alarm deactivation

The alarm can be deactivated in the following ways.

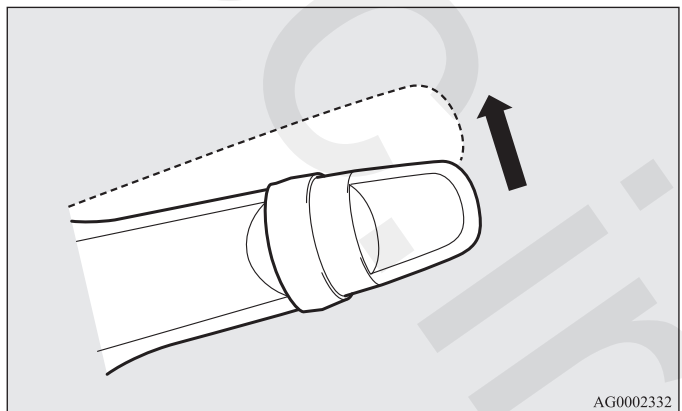
- By using the keyless entry system or the F.A.S.T.-key operation to lock or unlock the doors and tailgate.
- Turn the ignition switch to the “ON” position.

To deactivate the vehicle inclination detection function and the interior intrusion detection function (vehicles equipped with the interior alarm sensor)

The vehicle inclination detection function and the interior intrusion detection function can be deactivated when parking in automated car parks or leaving pets in the vehicle.

1. Turn the ignition switch to the “LOCK” position.
Also, if a key was used to start the engine, remove the key from the ignition switch.
2. Raise and hold the wiper and washer switch to the “MIST” position for about 3 seconds. The buzzer will sound once and the function will be deactivated.

To activate the function again, raise and hold the wiper and washer switch to the “MIST” position for about 3 seconds. The buzzer will sound twice and the function will be activated.



AG0002332

Features and controls

NOTE

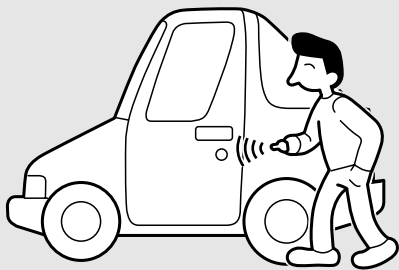
- The function will be activated again if the following operation is performed.
 - If the doors and the tailgate are unlocked using the keyless entry system or the F.A.S.T.-key operation.
 - If the ignition switch is turned to the “ON” or “ACC” position.

Disarmed stage

The system will be disarmed if the following operation is performed.

- The ignition switch is turned to the “ON” position.
- All doors and the tailgate are unlocked by using the keyless entry system or the F.A.S.T.-key operation.

Disarm...by using the keyless entry system or F.A.S.T.-key operation



AA0070940

NOTE

- If the UNLOCK button on the remote control transmitter, or the driver's or front passenger's door lock/unlock switch is pressed when all doors and the tailgate are closed and no door is opened within approximately 30 seconds, re-arming will automatically occur.
- The amount of time after unlocking until the vehicle relocks automatically can be adjusted. See an authorized Mitsubishi Motors dealer for details.

On a vehicle equipped with a Mitsubishi Multi-Communication System, the functions can be adjusted on the screen. For details, refer to a separate operation manual.
- Once the system has been disarmed, it cannot be rearmed except by repeating the arming procedure.

Testing the theft-alarm system

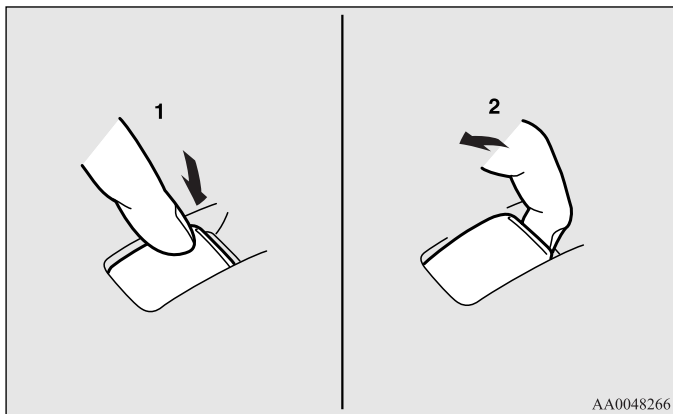
Use the following procedure to test the system:

1. Lower the driver's window.
2. Arm the system as explained in “Armed stage”.
3. Make sure that the theft-alarm indicator comes on and flashes for approximately 20 seconds.
4. Wait a few seconds and then unlock the driver's side door by using the inside door lock knob. Open the door.
5. Make sure that the horn (the siren for vehicles equipped with the interior alarm sensor) sounds intermittently and the headlights blink when a door is opened.
6. Disarm the system by unlocking all doors and the tailgate by using the keyless entry system or the F.A.S.T.-key operation.

Features and controls

Power window control

N00510800383



- 1- Open (down)
- 2- Close (up)

NOTE

- Never try to operate the main switch and sub-switch in different directions at the same time. This will freeze the window in position.
- Operating the power windows repeatedly with the engine stopped will run down the battery. Use the window switches only while the engine is running.

⚠ WARNING

- Before operating the power windows, make sure that nothing can be trapped (head, hands, fingers, etc.) in the window.
- Never leave the vehicle without carrying the key.
- Never leave children or unreliable adults unattended inside the vehicle.

Main switch

N00548700101

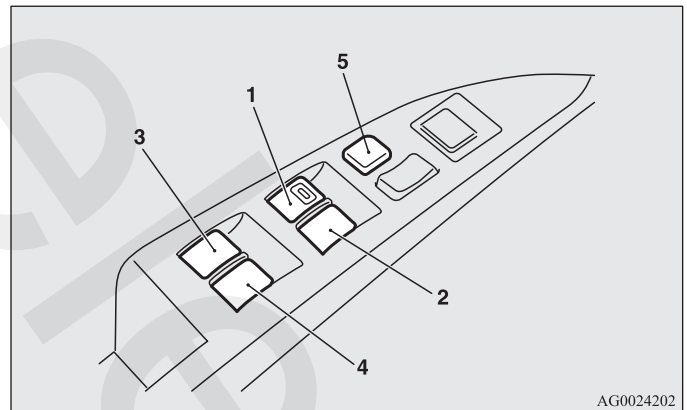
The main switch located on the driver's door can be used to operate all the windows.

A window can be opened or closed by operating the corresponding switch.

Press the switch down to open the window, and pull up the switch to close it.

If the driver's door window switch is fully pressed down/pulled up, the driver's door window automatically opens/closes completely.

If you want to stop the window movement, operate the switch lightly in the reverse direction.



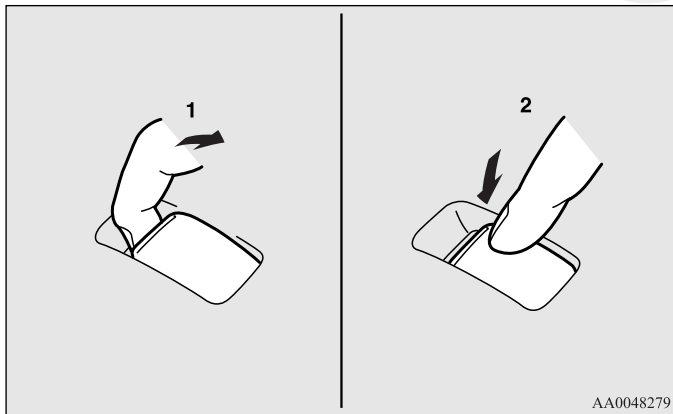
AG0024202

- 1- Driver's door window switch
- 2- Front passenger door window switch
- 3- Left rear door window switch
- 4- Right rear door window switch
- 5- Lock switch

Features and controls

Sub switch

N00548800102



AA0048279

- 1- Close
- 2- Open

Each sub-switch can be used for its own passenger door window, unless the driver's window lock switch is activated.

NOTE

- The rear door windows open only half-way.

Power window timer function

N00548900129

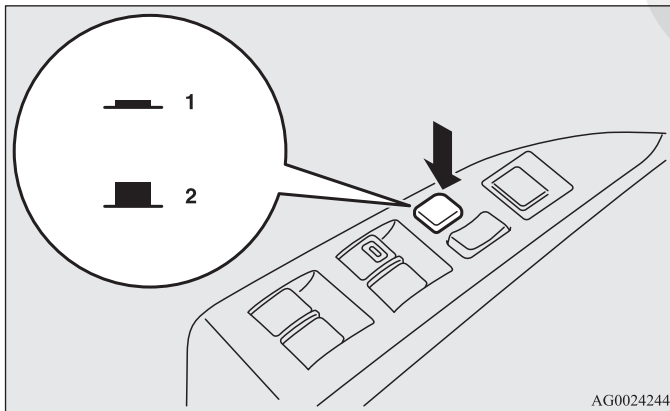
The power windows can be run up or down when the ignition switch is in the "ON" position. The door windows can be opened or closed for a 30-second period after the ignition switch is turned to the "ACC" or "LOCK" position. However, once the driver's door or the front passenger's door is opened, the power windows cannot be operated.

Features and controls

Lock switch

N00549000143

When this switch is in the lock mode, the passenger door switches cannot be used to open or close the door windows, and the main switch will open or close only the driver's door window. To unlock the switch, press it again.



AG0024244

- 1- Lock
- 2- Unlock

⚠ WARNING

- Before driving with a child in the vehicle, be sure to lock the window switch to make it inoperative. Children tampering with the switch could easily trap their hands or heads in the window.

Safety mechanism (Driver's door window only)

N00528800119

If a hand or head is trapped, for safety the door window is automatically lowered a little.

After the door window is lowered, pull up the switch again to close the door window.

⚠ WARNING

- If the safety mechanism is activated three or more times successively, the safety mechanism will be temporarily cancelled. If a hand or head got trapped, a serious injury could result.

⚠ CAUTION

- The safety mechanism is deactivated just before the door window closes. This allows the door window to close completely. Therefore be especially careful that fingers are not trapped in the door window opening.
- The safety mechanism is deactivated while the switch is pulled up. Therefore be especially careful that fingers are not trapped in the door window opening.
- Do not deliberately trap your hands or head in order to activate the safety mechanism. Your hand or head could be trapped and personal injury could result.

Features and controls

NOTE

- The safety mechanism can be activated if the driving conditions or other circumstances cause the door window to be subjected to a physical shock similar to that caused by trapped hand or head.
- If the safety mechanism is activated 3 or more times consecutively, the safety mechanism is deactivated and normal closing of the door window will be aborted.
Use the following method to return to normal operation.
 1. If the door window is open, repeatedly pull up the power window switch to fully close the door window.
 2. With fully closing the window, release the switch and then pull up the switch again for about 1 second.

3

What to do if you hear wind buffeting when driving

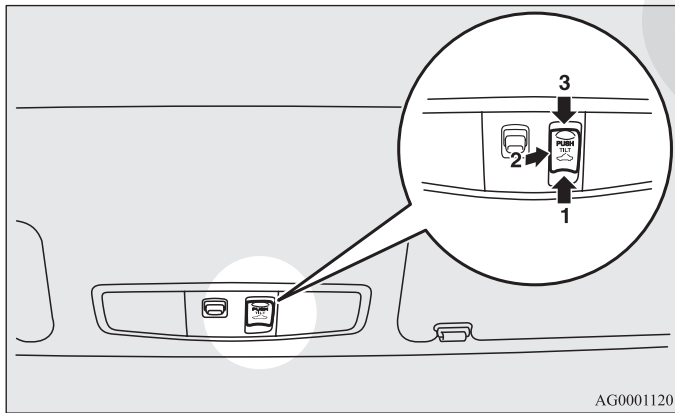
N00551400014

Wind buffeting can be described as the perception of pressure on the ears or a booming or rumbling sound. Your vehicle may exhibit wind buffeting when driving with one or both rear door windows down or partially opened. This is a normal occurrence that can be minimized. If the buffeting occurs with the rear door windows open, open the front door windows as well as the rear door windows to minimize the condition.

Sunroof (if so equipped)

N00511000672

The sunroof can be opened and closed with the ignition switch in the "ON" position.



AG0001120

Features and controls

To open

Press the switch (1), the sunroof automatically opens.
To stop the moving sunroof, press the switch.

NOTE

- The sunroof stops just before reaching the fully open position. If the vehicle is driven with the sunroof in this position, wind buffeting is lower than with the sunroof fully open.

To close

Press the switch (3), the sunroof automatically closes.
To stop the moving sunroof, press the switch.

To tilt up

When the switch (2) is pressed, the rear sunroof raises for ventilation.

To tilt down

Press the switch (3).

NOTE

- Be sure to tilt down the sunroof before closing the sunshade.

Features and controls

Sunroof timer function

The sunroof can be operated when the ignition switch is in the “ON” position. The sunroof can be opened or closed for a 30-second period after the ignition switch is turned to the “ACC” or “LOCK” position. However, when the driver’s door or the front passenger door is opened, the sunroof cannot be operated. Turn on the ignition switch again to operate.

Safety mechanism

If a hand or head is trapped in the closing sunroof opening, the safety mechanism will cause the sunroof to re-open automatically. The opened sunroof will become operational again after a few seconds.

If the safety mechanism is activated 5 or more times consecutively, normal closing of the sunroof will be aborted.

As an emergency measure, the sunroof can be closed bit by bit until the sunroof is completely closed by repeatedly pressing the switch (2).

After performing the emergency measure, consult an authorized Mitsubishi Motors dealer.

NOTE

- The safety mechanism can be activated if the driving conditions or other circumstances cause the sunroof to be subjected to a physical shock similar to that caused by a trapped hand or head.

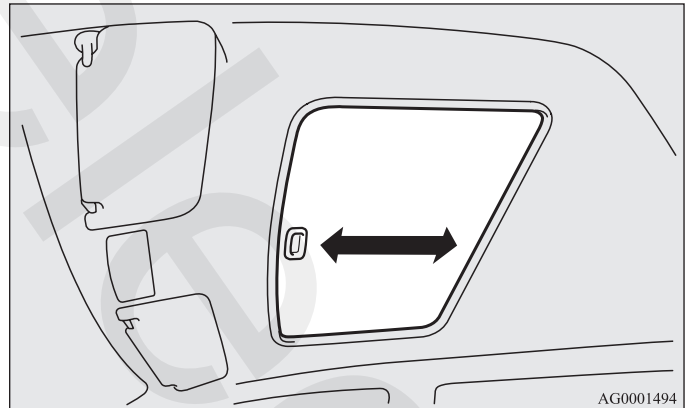
⚠ CAUTION

- The safety mechanism is deactivated while the switch (2) is pressed. Therefore be especially careful that fingers are not trapped in the sunroof opening.
- Do not deliberately trap your hands or head in order to activate the safety mechanism. Personal injury and malfunction of the sunroof could result.

Features and controls

Sunshade

The sunshade can be opened or closed manually while the sunroof is closed.



⚠ CAUTION

- Do not attempt to close the sunshade when the sunroof is opened.
- Be careful that hands are not trapped when closing the sunshade.

Features and controls

WARNING

- Do not stick your head, hands or anything else in the sunroof opening.
- Before operating the sunroof, make sure that nothing can be trapped (head, hands, fingers, etc.).
- Never leave a child unreliable adults unattended inside the vehicle.

NOTE

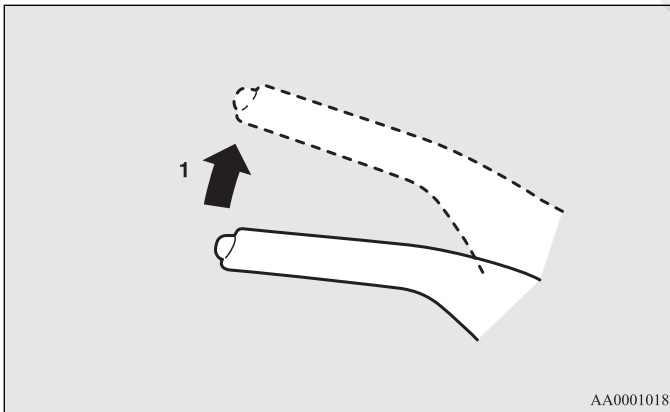
- When leaving the vehicle unattended, be sure to close the sunroof and carry the key.
- Do not try to operate the sunroof if it is frozen closed (after snowfall or during extreme cold).
- Do not sit on or place heavy luggage on the sunroof or roof opening edge.
- Do not apply any force that may cause damage to the sunroof.
- Release the switch when the sunroof has reached a completely open or completely closed position.
- If the sunroof does not operate when the sunroof switch is operated, release the switch and check whether something is trapped by the sunroof. If nothing is trapped, have the sunroof checked at an authorized Mitsubishi Motors dealer.
- Be careful when tilting up the sunroof if a ski carrier or a roof carrier is installed. Depending on the model of ski carrier or roof carrier, the sunroof may contact the carrier when the sunroof is tilted up.
- Be sure to close the sunroof completely when washing the vehicle or when leaving the vehicle.
- Do not put any wax on the weatherstrip (black rubber) around the sunroof opening. If it is waxed, the weatherstrip cannot maintain a weatherproof seal with the sunroof.
- After washing the vehicle or after rain be sure to wipe off any water that is on the sunroof before operating it.
- Operating the sunroof repeatedly with the engine turned off will run down the battery. Operate the sunroof only while the engine is running.

Parking brake

N00511400302

To park the vehicle, first bring it to a complete stop, fully engage the parking brake, and then move the selector lever to the "P" (PARK) position.

To apply

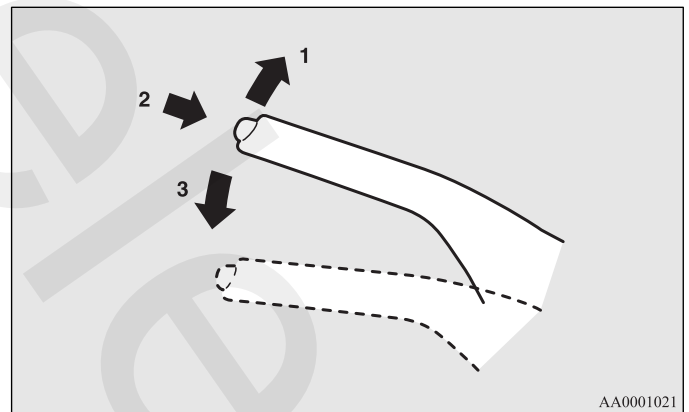


- 1- Pull the lever up without pushing the button at the end of hand grip.

When the parking brake is set and the ignition switch are in the "ON" position, the brake warning light in the instrument cluster will come on.

Before driving, be sure to release the parking brake.

To deactivate



- 1- Pull the lever up slightly.
- 2- Press and hold the button at the end of the hand grip.
- 3- Push the lever downward.

When parking on a hill, set the parking brake, and turn the front wheels toward the curb on a downhill, or away from the curb on an uphill.

Features and controls

CAUTION

- Before driving, be sure that the parking brake is fully released and brake warning light is off. If you drive without the parking brake fully released, the warning display will appear on the information screen in the multi-information display. If a vehicle is driven without releasing the parking brake, the brakes will be overheated, resulting in ineffective braking and possible brake failure.

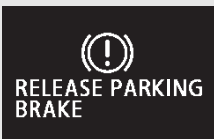
Warning light



Warning display type 1



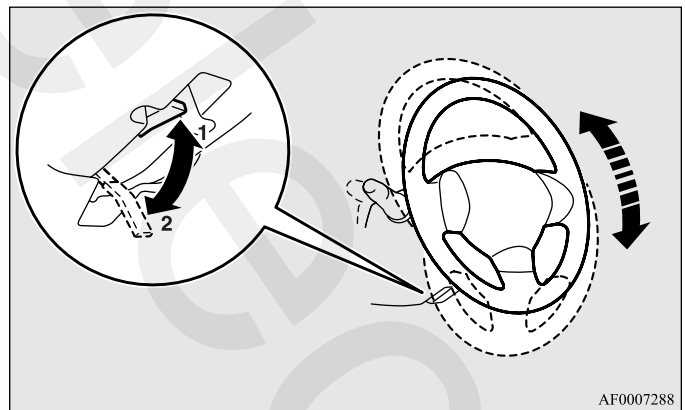
Warning display type 2



Steering wheel tilt lock lever

N00511500185

To adjust the steering wheel up or down, move the tilt lock lever upward or downward while raising or lowering the steering wheel to the desired level.



- 1- Wheel lock
- 2- Release

⚠ WARNING

- After adjusting, make sure the lock lever is secured in the locked (1) position.
- Do not attempt to adjust the steering wheel while driving. This can be dangerous.
- When releasing the tilt lock lever (moving it to the position (2)), be sure to hold the steering wheel firmly. Otherwise, the steering wheel may slip down too suddenly.

Features and controls

Inside rearview mirror

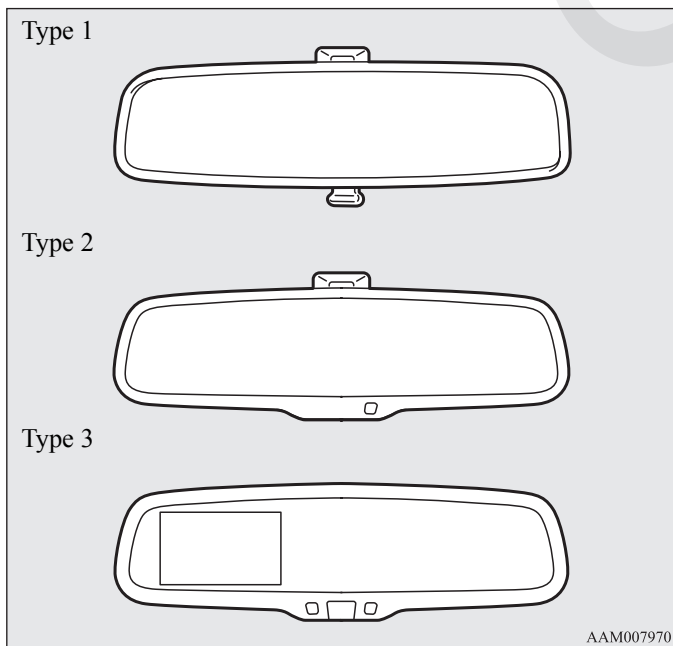
N00511600261

Adjust the inside rearview mirror only after making any seat adjustments so as to have a clear view to the rear of the vehicle.

⚠ WARNING

- Do not attempt to adjust the inside rearview mirror while driving. This can be dangerous.
Be sure to adjust the mirrors before driving.

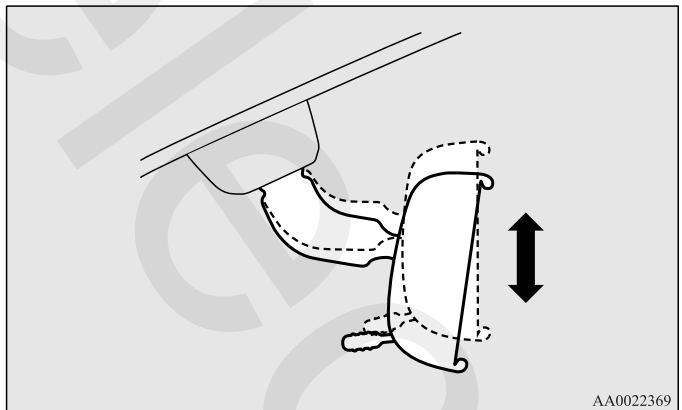
Features and controls



Adjust the inside mirror to maximize the view through the rear window.

To adjust the vertical mirror position

It is possible to move the mirror up and down to adjust its position.



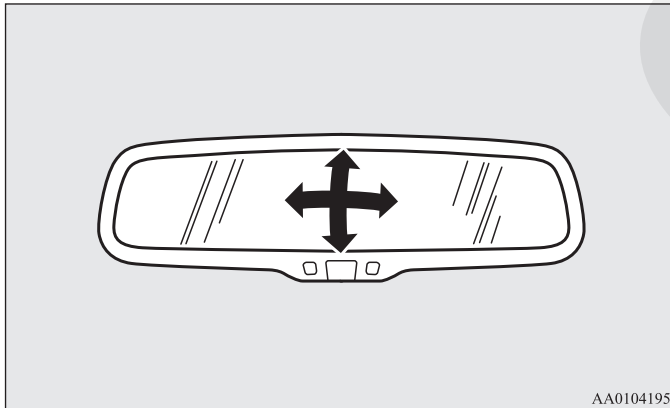
NOTE

- When the selector lever is in the “R” (REVERSE) position with the ignition switch in the “ON” position, the rear-view camera image will be displayed on the left portion of a type 3 mirror.
For details, refer to “Rear-view camera” on page 3-158.

Features and controls

To adjust the mirror position

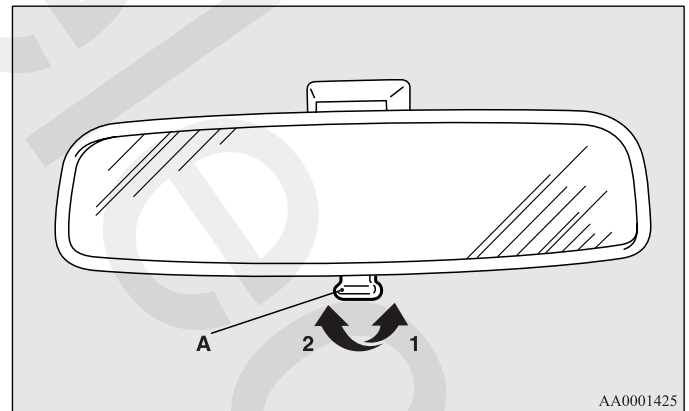
It is possible to move the mirror up/down and left/right to adjust its position.



To reduce the glare

Type 1

The day/night knob (A) at the bottom of the mirror can be used to adjust the mirror to reduce the glare from the headlights of vehicles behind you during night driving.

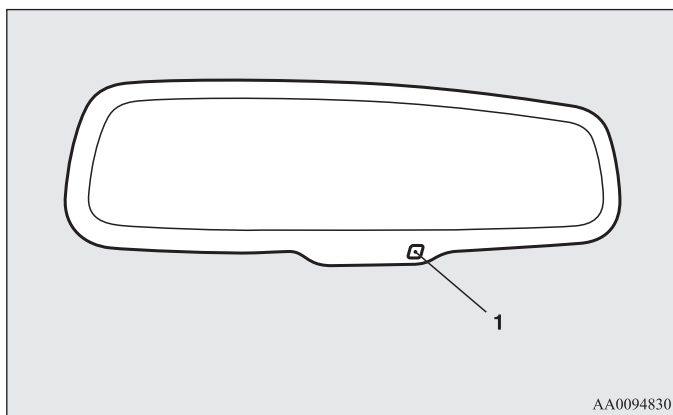


- 1- Daytime position
- 2- Night position

Features and controls

Type 2

When the headlights of the vehicles behind you are very bright, the reflection factor of the rearview mirror is automatically changed to reduce the glare.



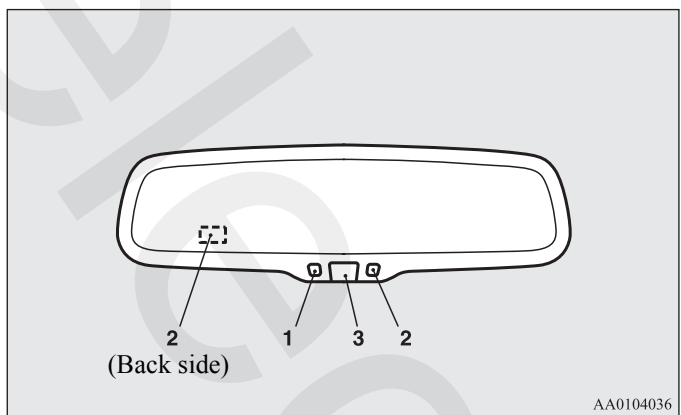
Normally, use the automatic mode. When the ignition switch is turned to the “ON” position, the reflection factor of the mirror is automatically changed.

NOTE

- Do not hang items on, or spray glass cleaner on the sensor (1), as reduced sensitivity could result.

Type 3

When the headlights of the vehicles behind you are very bright, the reflection factor of the rearview mirror is automatically changed to reduce the glare.



Normally, use the automatic mode. When the ignition switch is turned to the “ON” position, the green indicator (1) illuminates and the reflection factor of the mirror is automatically changed.

NOTE

- Do not hang items on, or spray glass cleaner on the sensors (2), as reduced sensitivity could result.
- If you want to stop automatic mode, press the switch (3) and the indicator will go off.
To return to automatic mode, press the switch again or turn the ignition switch to the “ON” position after turning to “LOCK” or “ACC” position.

Outside rearview mirrors

N00512200219

Adjust the outside rearview mirrors only after making any seat adjustments so as to have a clear view to the rear of the vehicle.

⚠ WARNING

- Do not attempt to adjust the outside rearview mirrors while driving. This can be dangerous. Be sure to adjust the mirrors before driving.
- Your passenger's side mirror is convex. The objects you see in the mirror will look smaller and farther away than they appear in a regular flat mirror. Do not use this mirror to estimate the distance of vehicles following you when changing lanes.

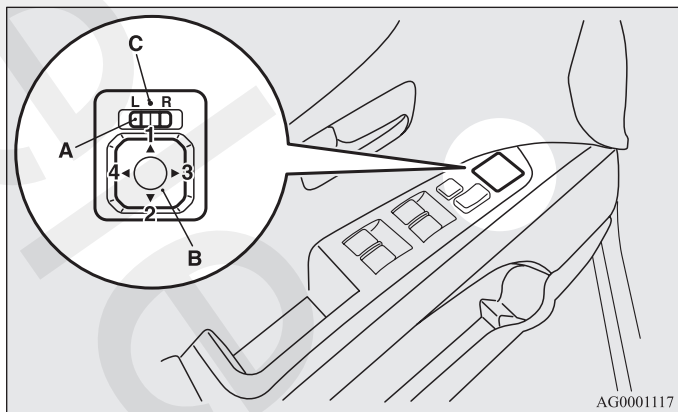
To adjust the mirror position

N00549100128

The outside rearview mirrors can be adjusted when the ignition switch is in the "ON" or "ACC" position.

Features and controls

Move the lever (A) to the same side as the mirror you wish to adjust.



AG0001117

- L- Left outside mirror adjustment
- R- Right outside mirror adjustment

Press the switch (B) to adjust the mirror position.

- 1- Up
- 2- Down
- 3- Right
- 4- Left

NOTE

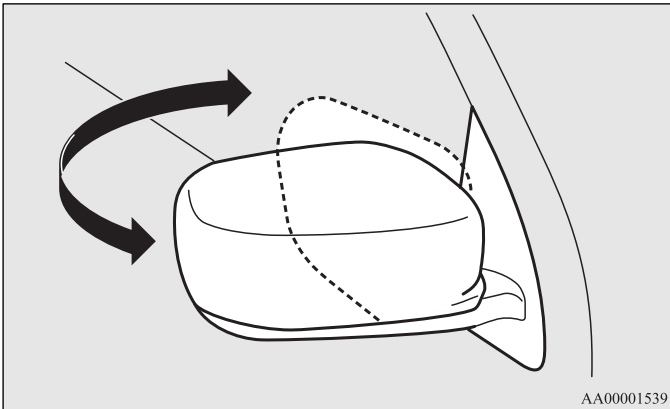
- After adjusting, return the lever to the "•" (OFF) position (C).

Features and controls

To fold the mirror

The outside mirror can be folded in towards the side window to prevent damage when parking in tight locations.

N00549200073



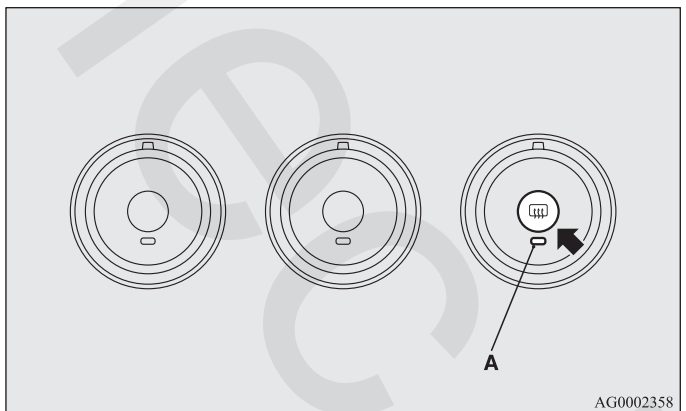
3

Door mirror heater (if so equipped)

N00549300162

When the rear window defogger switch is pressed with the engine running, the outside rearview mirrors are defogged or defrosted. Current will flow through the heater element inside the mirrors, thus clearing away frost or condensation.

The indicator light (A) will illuminate while the defogger is on. The heater will be turned off automatically in about 20 minutes.



Features and controls

Ignition switch

N00512400660

[For vehicles equipped with the Free-hand Advanced Security Transmitter (F.A.S.T.-key).]

For information on operations for vehicles equipped with the Free-hand Advanced Security Transmitter (F.A.S.T.-key), refer to “Free-hand Advanced Security Transmitter (F.A.S.T.-key): Ignition switch” on page 3-25.

[Except for vehicles equipped with the Free-hand Advanced Security Transmitter (F.A.S.T.-key).]



LOCK

The engine is off and the steering wheel is locked. The key can be inserted and removed only when the switch is in this position.

ACC

Allows operation of electrical accessories with the engine off.

ON

The engine runs and all accessories can be used.

START

Engages the starter. Release the key when the engine starts. It will automatically back to the “ON” position.

NOTE

- Your vehicle is equipped with an electronic immobilizer. To start the engine, the ID code which the transponder inside the key sends must match the one registered to the immobilizer computer. (Refer to “Electronic immobilizer” on page 3-24.)

Features and controls

ACC power auto-cutout function

N00539600058

After about 30 minutes has elapsed with the ignition switch in the “ACC” position, the function automatically cuts out the power for the audio system and other electric devices that can be operated with that position.

When the ignition switch is turned from the “ACC” position, the power is supplied again to those devices.

NOTE

- It is possible to modify functions as follows:
 - The time until the power cuts out can be changed to about 60 minutes.
 - The ACC power auto-cutout function can be deactivated.

For details, we recommend you to consult an authorized MITSUBISHI MOTORS dealer.

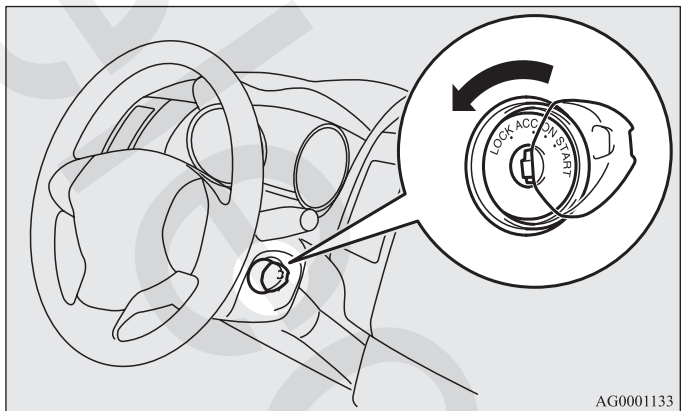
On vehicles equipped with Mitsubishi Multi-Communication System, screen operations can be used to make the adjustment.

Refer to the separate Mitsubishi Multi-Communications System manual for details.

To remove the key

N00550900113

When removing the key, first set the selector lever to the “P” (PARK) position, and then turn the key to the “LOCK” position and remove it.



AG0001133

NOTE

- The key cannot be removed unless the selector lever is set to the “P” (PARK) position, which allows the ignition switch to turn to the “LOCK” position.

⚠ CAUTION

- If the engine is stopped while driving, the power brake booster will stop functioning and greater effort for braking will be required. Also, the power steering system will not function and it will require greater effort to manually steer the vehicle.
- Do not leave the key in the “ON” position for a long time when the engine is not running. This will cause the battery to run down.
- Do not turn the key to the “START” position when the engine is running. It will damage the starter motor.

Features and controls

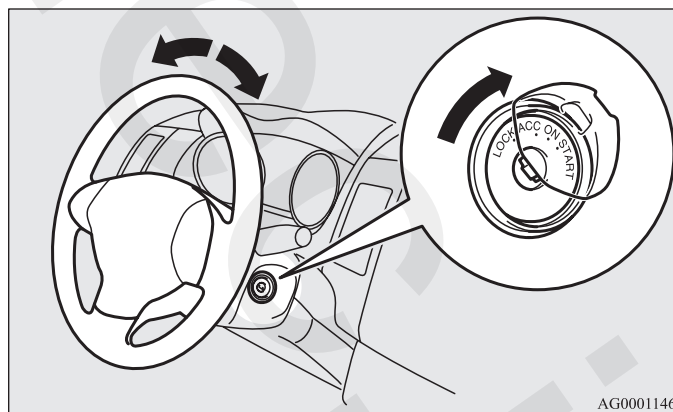
Steering wheel lock

N00512500166

[For vehicles equipped with the Free-hand Advanced Security Transmitter (F.A.S.T.-key).]

For information on operations for vehicles equipped with the Free-hand Advanced Security Transmitter (F.A.S.T.-key), refer to “Free-hand Advanced Security Transmitter (F.A.S.T.-key): Steering wheel lock” on page3-32

[Except for vehicles equipped with the Free-hand Advanced Security Transmitter (F.A.S.T.-key).]



Features and controls

To lock

Remove the key at the “LOCK” position.
Turn the steering wheel until it is locked.

To unlock

Turn the key to the “ACC” position while moving the steering wheel slightly.

CAUTION

- Remove the key when leaving the vehicle.

NOTE

3

- If the front wheels are turned, the anti-theft lock may sometimes make it difficult to turn the key from “LOCK” to “ACC”. Firmly turn the steering wheel to the left or to the right as you turn the key.

Starting the engine

N00512600763

[For vehicles equipped with the Free-hand Advanced Security Transmitter (F.A.S.T.-key).]

For information on operation for vehicles equipped with the Free-hand Advanced Security Transmitter (F.A.S.T.-key), refer to “Free-hand Advanced Security Transmitter (F.A.S.T.-key): Starting” on page3-16.

[Except for vehicles equipped with the Free-hand Advanced Security Transmitter (F.A.S.T.-key).]

Tips for starting

- Do not operate the starter motor continuously for longer than 15 seconds as this could run the battery down or damage the starter motor. If the engine does not start, turn the ignition switch back to the “LOCK” position, wait a few seconds, and then try again. Trying repeatedly with the engine or starter motor still turning will damage the starter mechanism.
- If the engine will not start because the battery is weak or discharged, refer to “Jump-starting the engine” (on page 6-2) for instructions.
- A longer warm up period will only consume extra fuel. The engine is warmed up enough for driving when the bar graph of engine coolant temperature display starts to move. Refer to “Interrupt display screen (When the ignition switch is in the “ON” position)” on page 3-178.

⚠ WARNING

- Never run the engine in a closed or poorly ventilated area any longer than is needed to move your vehicle out of the area. Carbon monoxide gas, which is odorless and extremely poisonous, could build up and cause serious injury or death.

⚠ CAUTION

- Do not push-start the vehicle.
- Do not run the engine at high rpms or drive at high speeds until the engine has had a chance to warm up.
- Release the ignition switch as soon as the engine starts. Otherwise, the starter motor will be damaged.

Starting the engine

This model is equipped with an electronically controlled fuel injection system. This is a system that automatically controls fuel injection. There is usually no need to depress the accelerator pedal when starting the engine.

The starter should not be run for more than 15 seconds at a time.

To prevent battery drain, wait a few seconds between attempts to restart the engine.

1. Make sure all occupants are properly seated with seat belts fastened.
2. Insert the ignition key.

Features and controls

3. Press and hold the brake pedal down with your right foot.
4. Make sure the selector lever is in the “P” (PARK) position.
5. Turn the ignition switch to the “ON” position and make certain that all warning lights are functioning properly before starting the engine.
6. Turn the ignition switch to the “START” position without pressing the accelerator pedal. Release the ignition switch when the engine starts.

NOTE

- Minor noises may be heard on engine start-up. These will disappear as the engine warms up.

When the engine is hard to start

After several attempts, you may experience that the engine still does not start.

1. Make sure that all electric devices, such as lights, air conditioning blower and rear window defogger, are turned off.
2. While depressing the brake pedal, press the accelerator pedal halfway and hold it there, then crank the engine. Release the accelerator pedal, immediately after the engine starts.

Features and controls

3. If the engine still will not start, the engine could be flooded with too much gasoline. While depressing the brake pedal, push the accelerator pedal all the way down and hold it there, then crank the engine for 5 to 6 seconds. Return the ignition switch to the "LOCK" position and release the accelerator pedal. Wait a few seconds, and then crank the engine again for 5 to 6 seconds while depressing the brake pedal, but do not push the accelerator pedal. Release the ignition key if the engine starts. If the engine fails to start, repeat these procedures. If the engine still will not start, contact your local Mitsubishi Motors dealer or a repair facility of your choice for assistance.

3 ***Startability of automatic transaxle vehicle and CVT vehicle with ambient temperature of -22 °F (-30 °C) or lower***

When the ambient temperature is -22 °F (-30 °C) or lower, it may not be possible to start from a standstill even with the selector lever in the "D" (DRIVE) position.

This occurs because the transaxle has not warmed up sufficiently; it does not indicate a problem. If this occurs, place the selector lever in the "P" (PARK) position and let the engine idle for at least 10 minutes.

The transaxle will warm up, and you will be able to start normally.

Do not leave the vehicle during warm-up operation.

Using the MIVEC engine (3.0 liter models)

The MIVEC engine automatically switches its intake-valve control between a low-speed mode and a high-speed mode in accordance with driving conditions for maximum engine performance.

NOTE

- To protect the engine, the high-speed mode may not be selected while the engine coolant temperature is low. In such a case, the engine revolutions do not rise to over 5,000 rpm even if the accelerator pedal is depressed.

Automatic transaxle (if so equipped)

N00513200216

Automatic transaxle will automatically change its gear depending on road and driving conditions. This helps achieve smooth driving and excellent fuel efficiency. Also you can manually shift up and shift down the transaxle. Refer to “Sports mode” on page 3-101.

DRIVING UPHILL

The transaxle prevents unnecessary upshifts even when the accelerator pedal is released and ensures smooth driving.

DRIVING DOWNHILL

According to the conditions, the transaxle will automatically shift to a lower gear to achieve stronger engine braking. This may help reduce your need to use the service brake.

NOTE

- During the break-in period or immediately after reconnecting the battery, your vehicle may not shift smoothly. This does not indicate a problem in the transaxle. Shifting will become smoother once the transaxle has been shifted several times by the electronic control system.

Selector lever operation

N00513800296

As an additional safety precaution, models equipped with an automatic transaxle have a shift-lock device that holds the selector lever in the “P” (PARK) position. To move the selector lever from the “P” (PARK) position to another position, follow the steps below.

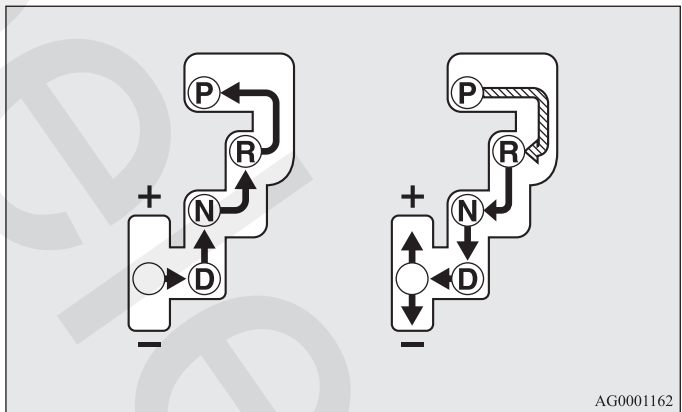
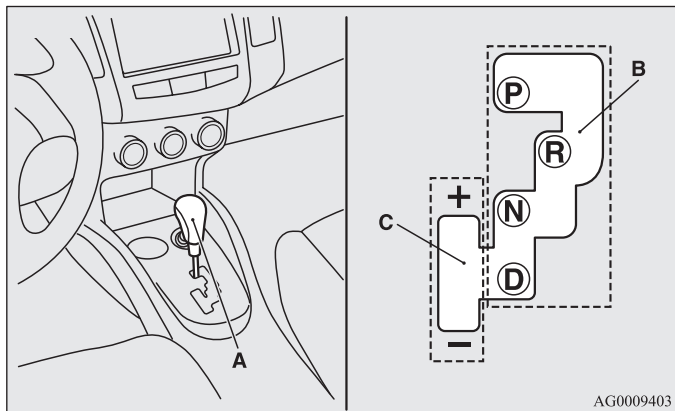
1. Press and hold the brake pedal down.
2. Move the selector lever to the desired position.

NOTE

- The selector lever cannot be moved from “P” (PARK) to another position if the ignition switch is set to the “LOCK” or “ACC” position, or if the key has been removed, or if the brake pedal is not pressed and held down.

Features and controls

The transaxle has 6 forward gears and 1 reverse gear. The individual gears are selected automatically, depending on the position of the gear selector lever, the speed of the vehicle and the position of the accelerator pedal. The selector lever (A) has “2 gates”: The main gate (B) and the manual gate (C).



AG0001162

↓	Set the selector lever in the gate to operate while the brake pedal is depressed.
↓	Set the selector lever in the gate to operate.

NOTE


- There are 4 selector lever positions in the main gate.
- For information on manual gate operation, please refer to “Sports mode” on page 3-101.

⚠ WARNING

- Always press the brake pedal when shifting the selector lever into a gear from the “N” (NEUTRAL) position. When beginning to drive, do not shift the selector lever from the “N” (NEUTRAL) position while pressing the accelerator pedal. This will cause the vehicle to “jump” forward or backward.

Features and controls

NOTE

- To prevent mistakes in operating the lever, make sure you stop briefly at each position. After operating, check the position in the multi-information display.
- If the brake pedal is not depressed and held, the shift-lock device activates to prevent the selector lever from being moved from the “P” (PARK) position.
- For a shift indicated by  in the illustration, depress the brake pedal before moving the selector lever. If you attempt to move the selector lever before depressing the brake pedal, the selector lever may become immovable.

When the selector lever cannot be shifted from the “P” (PARK) position

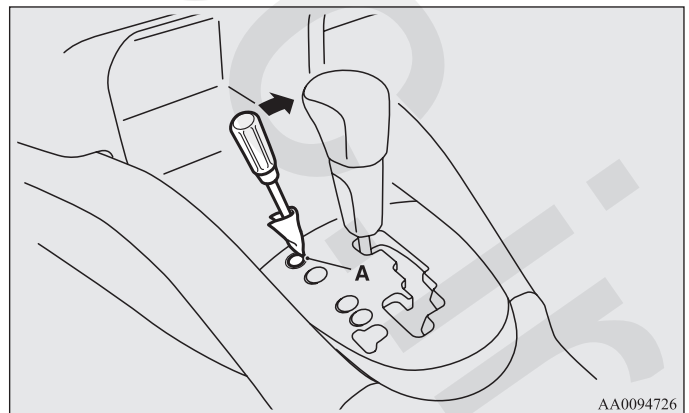
N00563100034

When the selector lever cannot be shifted from the “P” (PARK) position to another position while the brake pedal is pressed and held down with the ignition switch at the “ON” position, the battery may be flat or the shift-lock mechanism may be malfunctioning.

Immediately have your vehicle checked by an authorized Mitsubishi Motors dealer or a repair facility of your choice.

If you need to move the vehicle, shift the selector lever as follows.

1. Make sure the parking brake is fully applied.
2. Stop the engine if it is running.
3. Insert a screwdriver with a cloth over its tip into the notch (A) of the cover. Pry gently as shown to remove the cover.



Features and controls

4. Depress the brake pedal with the right foot.
5. Turn the ignition switch to the "ACC" position.

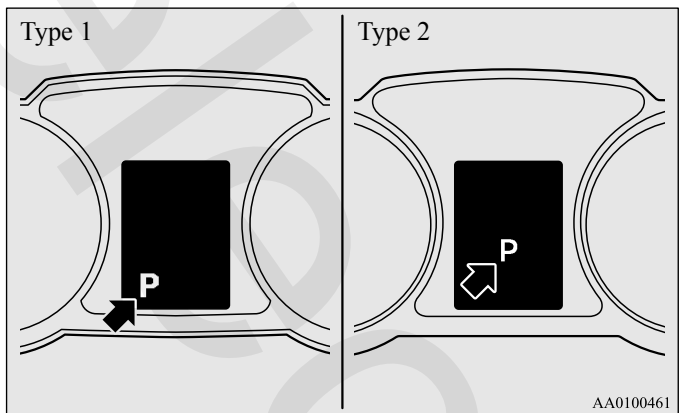
NOTE

- For vehicles with the Free-hand Advanced Security Transmitter (F.A.S.T.-key), turn the ignition switch to the "ACC" position with the emergency key if the vehicle battery is flat.
6. Insert a screwdriver in the shift-lock release hole (B). Shift the selector lever to the "N" (NEUTRAL) position while pressing the screwdriver down.

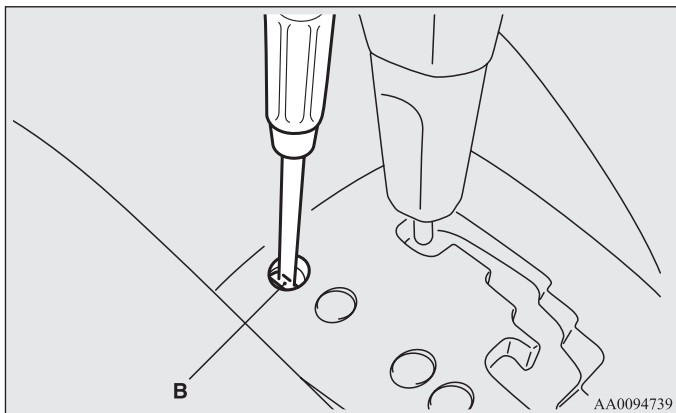
Selector lever position display

N00513900415

When the ignition switch is turned to the "ON" position, the selector lever position is shown on the multi-information display.



3



Warning display

N00514000208

Type 1



Type 2



When the warning display or the warning display appears on the information screen in the multi-information display while you are driving, there could be a malfunction in the automatic transaxle.

CAUTION

- If a malfunction occurs in the automatic transaxle while driving, the warning display or the warning display will appear on the information screen in the multi-information display. In this case, immediately park your vehicle in a safe place and follow these procedures:

When warning display is showing

The automatic transaxle fluid is overheating. Stop your vehicle in a safe place, put the selector lever in the “P” position, and open the engine hood with the engine running to allow the engine to cool down.

After a while, confirm that the warning display is no longer showing. It is safe to continue driving if the display is no longer showing. If the warning display remains or flashes frequently, have your vehicle inspected by an authorized Mitsubishi Motors dealer or a repair facility of your choice.

When warning display is showing

It may be that there is something unusual happening in the automatic transaxle, causing a safety device to activate. Have your vehicle inspected by an authorized Mitsubishi Motors dealer or a repair facility of your choice as soon as possible.

Features and controls

Selector lever positions (Main gate)

N00514200385

“P” PARK

This position locks the transaxle to prevent the vehicle from moving. The engine can be started from the “P” (PARK) position.

“R” REVERSE

Move the lever to this position only after the vehicle has come to a complete stop.

⚠ CAUTION

- Never shift into the “P” (PARK) or “R” (REVERSE) position while the vehicle is in motion. If the lever is shifted into the “P” (PARK) or “R” (REVERSE) position while the vehicle is in motion, the transaxle may be damaged.

“N” NEUTRAL

At this position, the transaxle is disengaged. It is the same as the neutral position on a manual transaxle and should be used when the vehicle is not moving for an extended length of time during driving, such as in a traffic jam.

⚠ WARNING

- Never move the selector lever to the “N” (NEUTRAL) position while driving since you could accidentally slip it into the “P” (PARK) or “R” (REVERSE) position, damaging the transaxle.

⚠ WARNING

- To prevent the vehicle from rolling when stopped on a slope, the engine should be started in the “P” (PARK) position, not in “N” (NEUTRAL) position.
- To prevent rolling, always keep your foot on the brake pedal when the vehicle is in “N” (NEUTRAL) position, or when shifting into or out of “N” (NEUTRAL) position.

“D” DRIVE

This position is used for most city and highway driving. The transaxle will automatically change its gear depending on road and driving conditions.

⚠ CAUTION

- To prevent transaxle damage, never shift into the “D” (DRIVE) position from the “R” (REVERSE) position while the vehicle is in motion.

Sports mode

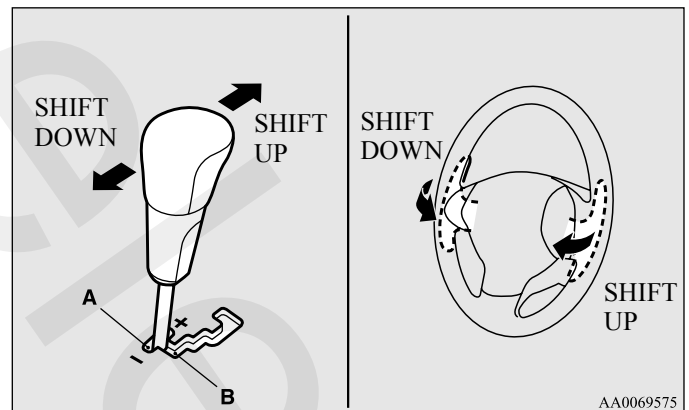
N00514400358

Whether the vehicle is stationary or in motion, sports mode is selected by gently pushing the selector lever from the “D” (DRIVE) position into the manual gate. To return to “D” operation, gently push the selector lever back into the main gate. In sports mode, rapid gear shifting is possible simply by operating the selector lever or sportronic steering wheel paddle shifter.

Unlike the manual transaxle, sports mode allows gear shifts with the accelerator pedal depressed.

NOTE

- For vehicles equipped with the sportronic steering wheel paddle shifter, sports mode can be selected by shifting gears even when the selector lever is in the main gate (2). Also, you can return to the “D” operation in any of following ways.
 - When returning to “D” operation, the selector lever position display will change to “D” (DRIVE) position.
 - Pull the + (SHIFT UP) side sportronic steering wheel paddle shifter forward (toward the driver) for over 2 seconds.
 - Stop the vehicle
 - Push the selector lever from the “D” (DRIVE) position into the manual gate (A) and push the selector lever back into the main gate (B).



+ (SHIFT UP)

The transaxle shifts up by one gear with each operation.

- (SHIFT DOWN)

The transaxle shifts down by one gear with each operation.

CAUTION

- Upward shifts do not take place automatically in sports mode. The driver must make upward shifts in accordance with prevailing road conditions, making sure the engine revolutions remain below the red zone on the tachometer.
- Repeated continuous operation of the selector lever or the sportronic steering wheel paddle shifter will continuously switch shift position.

Features and controls

CAUTION

- On vehicles with a sportronic steering wheel paddle shifter, gears may not change when the lateral paddle shifters are operated at the same time.

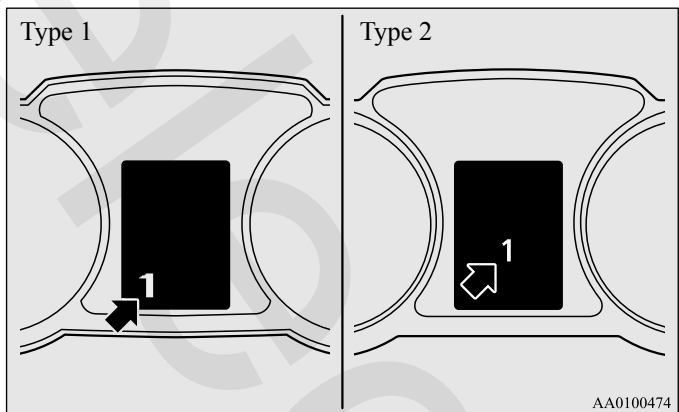
NOTE

- Gears can only be selected in a forward direction from 1st gear to 6th gear. To reverse or park the vehicle, move the selector lever to the “R” or “P” position.
- To maintain good running performance, the transaxle may refuse to perform an upshift when the selector lever is moved to the “+ (SHIFT UP)” position at certain vehicle speeds. Also, to prevent over-revving of the engine, the transaxle may refuse to perform a downshift when the lever is moved to the “- (SHIFT DOWN)” position at certain vehicle speeds. When this happens, a buzzer sounds to indicate that a downshift is not going to take place.
- When pulling away from a standstill on a slippery road, push the selector lever forward to the + (SHIFT UP) position to select 2nd gear. Push the selector lever to the - (SHIFT DOWN) side to shift back to 1st gear.

Sports mode display

N00538800167

In sports mode, the currently selected gear is displayed on the information screen in the multi-information display.



NOTE

- While driving in sports mode, the sports mode display may change to show “D” and shifting in sports mode may no longer be possible. This indicates that controls to drive in the “D” position are operating normally in order to lower the temperature of the automatic transaxle fluid; it does not indicate a malfunction. Once the temperature of the automatic transaxle fluid drops, shifting in the sports mode will be possible again.

Operation of the automatic transaxle

N00514500320

⚠ CAUTION

- Before selecting a gear with the engine running and the vehicle stationary, firmly depress the brake pedal to prevent the vehicle from creeping. The vehicle will begin to move as soon as the gear is engaged, especially when the engine speed or idle speed is high, or with the air conditioning operating. Do not release the brake pedal until you are ready to drive away.
- Depress the brake pedal with the right foot at all times. Using the left foot could cause driver movement delay in case of an emergency.
- To prevent sudden acceleration, never run the engine at high rpms when shifting from the “P” (PARK) or “N” (NEUTRAL).
- Operating the accelerator pedal while the other foot is resting on the brake pedal will affect braking efficiency and may cause premature wear of brake pads.
- Use the selector lever in the correct shift position in accordance with driving conditions. Never coast downhill backward in the driving shift position {“D” (DRIVE) or sports mode} or coast forward in the “R” (REVERSE) position. Engine stopping and increased brake pedal and steering effort could lead to an accident.

⚠ CAUTION

- Do not rev the engine with the brake pedal pressed when the vehicle is stationary. This can damage the transaxle. Also, when you depress the accelerator pedal while holding down the brake pedal with the selector lever in the “D” (DRIVE) position, the engine revolutions may not rise as high as when performing the same operation with the selector lever in the “N” (NEUTRAL) position.

Features and controls

Passing acceleration

To gain extra acceleration in “D” (DRIVE) position (when passing another vehicle) push the accelerator to the floor. The automatic transaxle will automatically downshift.

NOTE

- In sports mode, downshifts do not take place when the accelerator is depressed all the way to the floor.

Waiting

For short waiting periods, such as at traffic lights, the vehicle can be left in gear and held stationary with the service brake.

For longer waiting periods with the engine running, place the selector lever in the “N” (NEUTRAL) position and apply the parking brake, while holding the vehicle stationary with the service brake.

Prior to moving off after having stopped the vehicle, make sure that the selector lever is in “D” (DRIVE) position or Sports mode position.

CAUTION

- To avoid transaxle overheating, never try to keep your vehicle stationary on a hill by using the accelerator pedal. Always apply the parking brake and/or service brake.
- Do not rev the engine unnecessarily while the vehicle is stationary. Unexpected acceleration may occur if the selector lever is in a position other than “P” (PARK) or “N” (NEUTRAL).



Parking

To park the vehicle, first bring it to a complete stop, fully engage the parking brake, and then move the selector lever to the “P” (PARK) position.

When the automatic transaxle makes no gear change

If the transaxle does not change gears while driving, or your vehicle does not pick up enough speed when starting on an uphill slope, it may be that there is something unusual happening in the transaxle, causing a safety device to activate. Have your vehicle checked at an authorized Mitsubishi Motors dealer or a repair facility of your choice as soon as possible.

NOTE

- When the  warning display and “SLOW DOWN” or the  warning display and “SERVICE REQUIRED” appear on the information screen in the multi-information display, there could be a malfunction in the automatic transaxle. Refer to “Automatic transaxle: Warning display” on page 3-99.

Continuously variable transmission (CVT) ***(if so equipped)***

N00560200034

The CVT will automatically and continuously change its gear ratio depending on road and driving conditions. This helps achieve smooth driving and excellent fuel efficiency. Also you can manually shift up and shift down the transmission. Refer to “Sports mode” on page 3-111.

DRIVING UPHILL

The transmission prevents unnecessary upshifts even when the accelerator pedal is released and ensures smooth driving.

DRIVING DOWNHILL

According to the conditions, the transmission will automatically shift to a lower gear ratio to achieve stronger engine braking. This may help reduce your need to use the service brake.

Selector lever operation

N00560300022

As an additional safety precaution, models equipped with a continuously variable transmission have a shift-lock device that holds the selector lever in the “P” (PARK) position. To move the selector lever from the “P” (PARK) position to another position, follow the steps below.

1. Press and hold the brake pedal down.

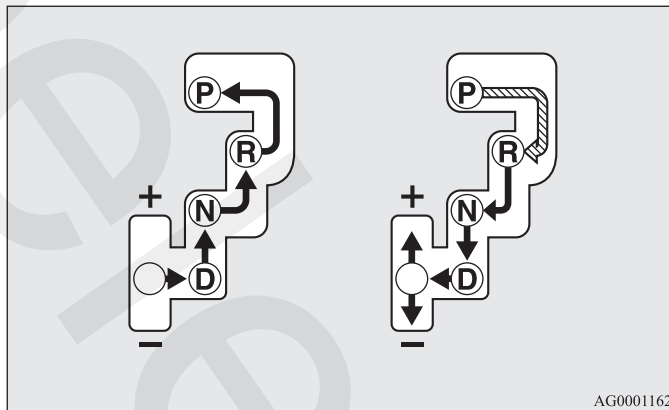
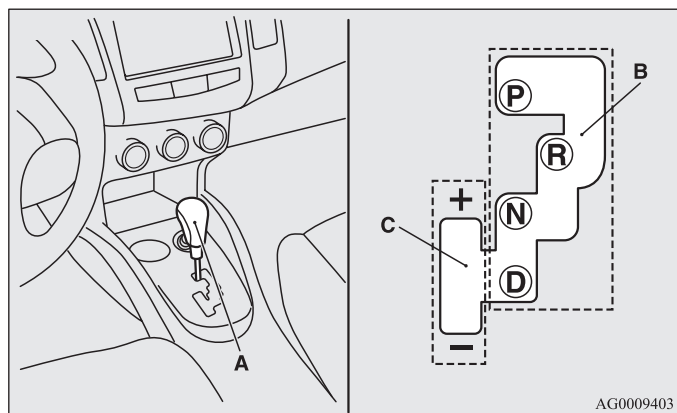
2. Move the selector lever to the desired position.

NOTE

- The selector lever cannot be moved from “P” (PARK) to another position if the ignition switch is set to the “LOCK” or “ACC” position, or if the key has been removed, or if the brake pedal is not pressed and held down.

Features and controls

The CVT selects an optimum ratio automatically when the selector lever is in the “D” (DRIVE) position, depending on the speed of the vehicle and the position of the accelerator pedal. The selector lever (A) has 2 gates; the main gate (B) and the manual gate (C).



↘	Set the selector lever in the gate to operate while the brake pedal is depressed.
↓	Set the selector lever in the gate to operate.

NOTE


- There are 4 selector lever positions in the main gate.
- For information on manual gate operation, please refer to “Sports mode” on page 3-101.

⚠ WARNING

- Always press the brake pedal when shifting the selector lever into a selector position from the “N” (NEUTRAL) position. When beginning to drive, do not shift the selector lever from the “N” (NEUTRAL) position while pressing the accelerator pedal. This will cause the vehicle to “jump” forward or backward.

Features and controls

NOTE

- To prevent mistakes in operating the lever, make sure you stop briefly at each position. After operating, check the position in the multi-information display.
- If the brake pedal is not depressed and held, the shift-lock device activates to prevent the selector lever from being moved from the “P” (PARK) position.
- For a shift indicated by  in the illustration, depress the brake pedal before moving the selector lever. If you attempt to move the selector lever before depressing the brake pedal, the selector lever may be immovable.

When the selector lever cannot be shifted from the “P” (PARK) position

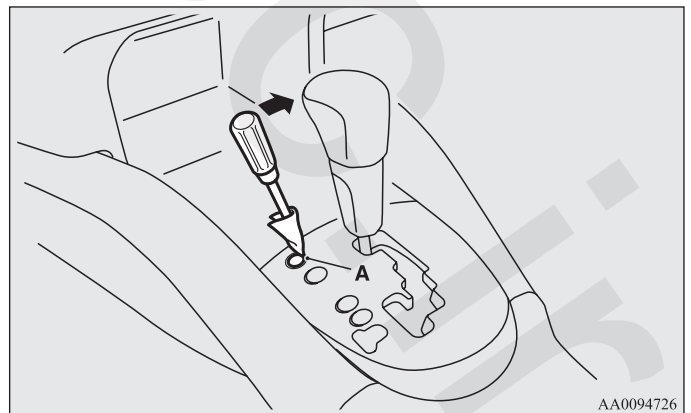
N0056300010

When the selector lever cannot be shifted from the “P” (PARK) position to another position while the brake pedal is pressed and held down with the ignition switch at the “ON” position, the battery may be flat or the shift-lock mechanism may be malfunctioning.

Immediately have your vehicle checked by an authorized Mitsubishi Motors dealer or a repair facility of your choice.

If you need to move the vehicle, shift the selector lever as follows.

1. Make sure the parking brake is fully applied.
2. Stop the engine if it is running.
3. Insert a screwdriver with a cloth over its tip into the notch (A) of the cover. Pry gently as shown to remove the cover.



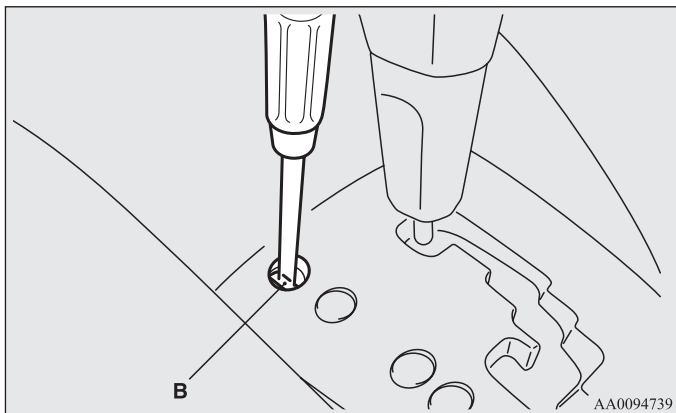
Features and controls

4. Depress the brake pedal with the right foot.
5. Turn the ignition switch to the "ACC" position.

NOTE

- For vehicles with the Free-hand Advanced Security Transmitter (F.A.S.T.-key), turn the ignition switch to the "ACC" position with the emergency key if the vehicle battery is flat.
6. Insert a screwdriver in the shift-lock release hole (B). Shift the selector lever to the "N" (NEUTRAL) position while pressing the screwdriver down.

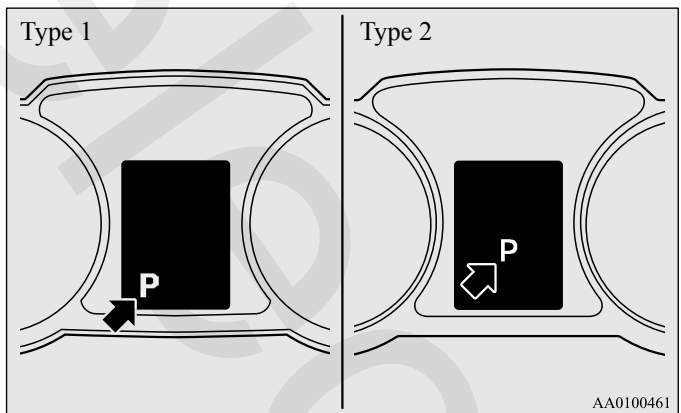
3



Selector lever position display

N00560400049

When the ignition switch is turned to the "ON" position, the selector lever position is shown on the multi-information display.



Warning display

N00560500037

Type 1



Type 2



When the warning display or the warning display appears on the information screen in the multi-information display while you are driving, there could be a malfunction in the CVT.

CAUTION

- If a malfunction occurs in the CVT while driving, the warning display or the warning display will appear on the information screen in the multi-information display.

In this case, follow these procedures:

[When warning display is showing]

The continuously variable transmission (CVT) fluid is overheating. The engine control may activate to lower the CVT fluid temperature, causing the engine revolutions and vehicle speed to decrease. In this case, take one of the following procedures.

- Slow down your vehicle.
- Stop your vehicle in a safe place, put the selector-lever in the “P” (PARK) position, and open the engine hood with the engine running to allow the engine to cool down.

After a while, confirm that the warning display is no longer showing. It is safe to continue driving if the display is no longer showing. If the warning display remains or flashes frequently, have your vehicle inspected by an authorized Mitsubishi Motors dealer or a repair facility of your choice.

[When warning display is showing]

It may be that there is something unusual happening in the CVT, causing a safety device to activate. Have your vehicle inspected by an authorized Mitsubishi Motors dealer or a repair facility of your choice as soon as possible.

Features and controls

Selector lever positions (Main gate)

N00560600041

“P” PARK

This position locks the transmission to prevent the vehicle from moving. The engine can be started from the “P” (PARK) position.

“R” REVERSE

Move the lever to this position only after the vehicle has come to a complete stop.

⚠ CAUTION

- Never shift into the “P” (PARK) or “R” (REVERSE) position while the vehicle is in motion. If the lever is shifted into the “P” (PARK) or “R” (REVERSE) position while the vehicle is in motion, the transmission may be damaged.

“N” NEUTRAL

At this position, the transmission is disengaged. It is the same as the neutral position on a manual transaxle and should be used when the vehicle is not moving for an extended length of time during driving, such as in a traffic jam.

⚠ WARNING

- Never move the selector lever to the “N” (NEUTRAL) position while driving since you could accidentally slip it into the “P” (PARK) or “R” (REVERSE) position, damaging the transmission.

⚠ WARNING

- To prevent the vehicle from rolling when stopped on a slope, the engine should be started in the “P” (PARK) position, not in “N” (NEUTRAL) position.
- To prevent rolling, always keep your foot on the brake pedal when the vehicle is in “N” (NEUTRAL) position, or when shifting into or out of “N” (NEUTRAL) position.

“D” DRIVE

This position is used for most city and highway driving. The transmission will automatically and continuously change its gear ratio depending on road and driving conditions.

⚠ CAUTION

- To prevent transmission damage, never shift into the “D” (DRIVE) position from the “R” (REVERSE) position while the vehicle is in motion.

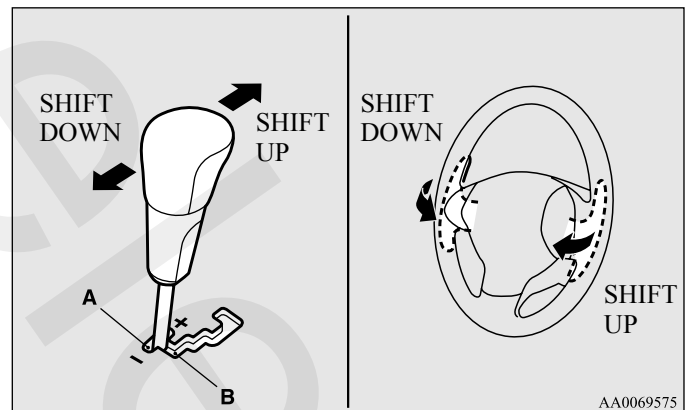
Sports mode

N00560700039

Whether the vehicle is stationary or in motion, sports mode is selected by pushing the selector lever from the “D” (DRIVE) position into the manual gate (1). To return to “D” (DRIVE) operation, push the selector lever back into the main gate (2). In sports mode, rapid shifting is possible simply by operating the selector lever or sportronic steering wheel paddle shifter. Unlike the manual transaxle, sports mode allows shifting with the accelerator pedal depressed.

NOTE

- For vehicles equipped with the sportronic steering wheel paddle shifter, sports mode can be operated even when the selector lever is in the main gate (2). Also, you can return to the “D” operation in any of following ways. When returning to “D” operation, the selector lever position display will change to “D” (DRIVE) position.
 - Pull the + (SHIFT UP) side sportronic steering wheel paddle shifter forward (toward the driver) for over 2 seconds.
 - Stop the vehicle
 - Push the selector lever from the “D” (DRIVE) position into the manual gate (A) and push the selector lever back into the main gate (B).



+ (SHIFT UP)

Transmission shifts up once by each operation.

- (SHIFT DOWN)

Transmission shifts down once by each operation.

CAUTION

- Upward shifts do not take place automatically in sports mode. The driver must make upward shifts in accordance with prevailing road conditions, making sure the engine rpm remains below the red zone on the tachometer.
- Repeated continuous operation of the selector lever or the sportronic steering wheel paddle shifter will continuously switch shift position.

Features and controls

⚠ CAUTION

- On vehicles with a sportronic steering wheel paddle shifter, shift ranges may not change when the lateral paddle shifters are operated at the same time.

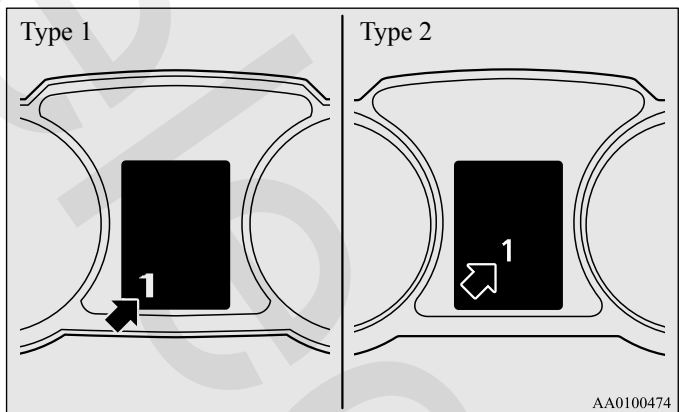
NOTE

- Shift ranges can only be selected in a forward direction from 1st to 6th. To reverse or park the vehicle, move the selector lever to the “R” or “P” position.
- To maintain good running performance, the transmission may refuse to perform an upshift when the selector lever or sportronic steering wheel paddle shifter is moved to the “+ (SHIFT UP)” position at certain vehicle speeds. Also, to prevent over-revving of the engine, the transmission may refuse to perform a downshift when the shift lever or sportronic steering wheel paddle shifter is moved to the “- (SHIFT DOWN)” position at certain vehicle speeds. When this happens, a buzzer sounds to indicate that a downshift is not going to take place.

Sports mode display

N00560900044

In sports mode, the currently selected shift range is displayed on the information screen in the multi-information display.



AA0100474

Operation of the CVT

N00560800030

⚠ CAUTION

- Before selecting a position with the engine running and the vehicle stationary, firmly depress the brake pedal to prevent the vehicle from creeping. The vehicle will begin to move as soon as the CVT is engaged, especially when the engine speed or idle speed is high, or with the air conditioning operating. Do not release the brake pedal until you are ready to drive away.
- Depress the brake pedal with the right foot at all times. Using the left foot could cause driver movement delay in case of an emergency.
- To prevent sudden acceleration, never run the engine at high rpms when shifting from the "P" (PARK) or "N" (NEUTRAL).
- Operating the accelerator pedal while the other foot is resting on the brake pedal will affect braking efficiency and may cause premature wear of brake pads.
- Use the selector lever in the correct shift position in accordance with driving conditions. Never coast downhill backward in the driving shift position {"D" (DRIVE) or sports mode} or coast forward in the "R" (REVERSE) position. Engine stopping and increased brake pedal and steering effort could lead to an accident.

⚠ CAUTION

- Do not rev the engine with the brake pedal pressed when the vehicle is stationary. This can damage the CVT. Also, when you depress the accelerator pedal while holding down the brake pedal with the selector lever in the "D" (DRIVE) position, the engine revolutions may not rise as high as when performing the same operation with the selector lever in the "N" (NEUTRAL) position.

Features and controls

Passing acceleration

To gain extra acceleration in “D” (DRIVE) position (when passing another vehicle) push the accelerator to the floor. The CVT will automatically downshift.

NOTE

- In sports mode, downshifts do not take place when the accelerator is depressed all the way to the floor.

Waiting

For short waiting periods, such as at traffic lights, the vehicle can be left in selector lever position and held stationary with the service brake.

For longer waiting periods with the engine running, place the selector lever in the “N” (NEUTRAL) position and apply the parking brake, while holding the vehicle stationary with the service brake.

Prior to moving off after having stopped the vehicle, make sure that the selector lever is in “D” (DRIVE) position or Sports mode position.

CAUTION

- To avoid transmission overheating, never try to keep your vehicle stationary on a hill by using the accelerator pedal. Always apply the parking brake and/or service brake.
- Do not rev the engine unnecessarily while the vehicle is stationary. Unexpected acceleration may occur if the selector lever is in a position other than “P” (PARK) or “N” (NEUTRAL).



Parking

To park the vehicle, first bring it to a complete stop, fully engage the parking brake, and then move the selector lever to the “P” (PARK) position.

When the CVT makes no speed change

If the CVT does not shift while driving, or your vehicle does not pick up enough speed when starting on an uphill slope, it may be that there is something unusual happening in the transmission, causing a safety device to activate. Have your vehicle checked at an authorized Mitsubishi Motors dealer or a repair facility of your choice as soon as possible.

NOTE

- When the  warning display and “SLOW DOWN” or the  warning display and “SERVICE REQUIRED” appear on the information screen in the multi-information display, there could be a malfunction in the CVT. Refer to “Continuously variable transmission (CVT): Warning display” on page 3-109.

Electronically controlled 4WD system (if so equipped)

N00517200142

The electronically controlled 4WD system is an all-wheel drive system that allows one of three drive modes to be selected with a switch, in accordance with the driving conditions.

The following drive modes are available.

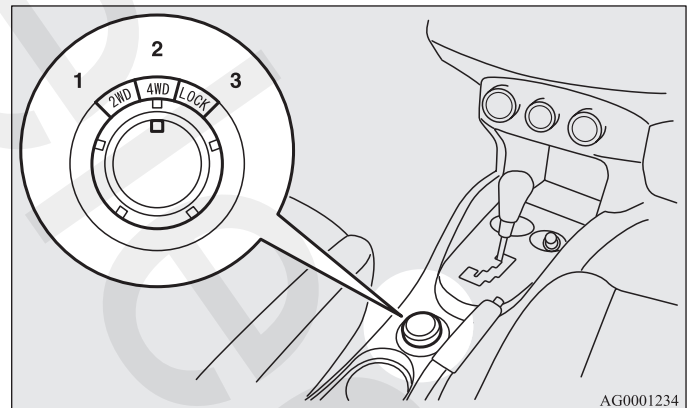
Drive mode	Function
2WD	This mode is for economical driving on normal dry roads and freeways. Driving in front-wheel drive.
4WD AUTO	The default mode. This mode is for automatically controlling the distribution of driving torque to all four wheels according to the driving conditions.
4WD LOCK	This mode is for driving in slippery conditions such as on snow-covered roads or sand. The large amount of driving torque that is applied to the rear tires enables getting out of slippery areas and powerful driving is possible across all ranges.

4-wheel drive operation requires special driving skills.
Carefully read the “4-wheel drive operation” section on page 3-123 and take care to drive safely.

Features and controls

Drive mode-selector

The drive mode can be switched by turning the dial while the ignition switch is in the “ON” position.

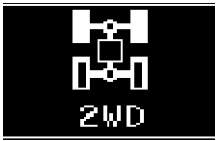

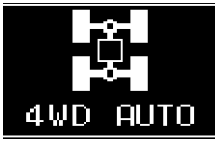

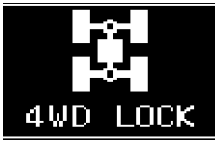



- 1- 2WD
- 2- 4WD AUTO
- 3- 4WD LOCK

The drive mode is displayed as an interrupt display on the information screen in the multi-information display when the drive mode is switched.

After a few seconds, the information screen returns from the drive mode display to the previous screen.

Features and controls

Drive mode	Display	
	Type 1	Type 2
2WD		
4WD AUTO		
4WD LOCK		

CAUTION

- Do not operate the drive mode-selector with the front wheels spinning on a snowy road or in similar conditions. The vehicle could lunge in an unexpected direction.
- Driving on dry, paved roads in “4WD LOCK” mode causes increased fuel consumption, noise, and premature tire wear.
- Do not drive with the tires spinning in “2WD” mode. Doing so could generate heat in the drive-system components.

NOTE

- The drive mode can be switched while driving or stopped.

Drive mode indicator

Type 1



Type 2



Normally the indicator illuminates when the ignition switch is turned to the “ON” position, and then the drive mode is displayed a few seconds after the engine is started.

The status of each drive mode display is as follows.

Drive Mode	Drive mode indicator	
	“4WD” indicator	“LOCK” indicator
2WD	OFF	OFF
4WD AUTO	ON	OFF
4WD LOCK	ON	ON

⚠ CAUTION

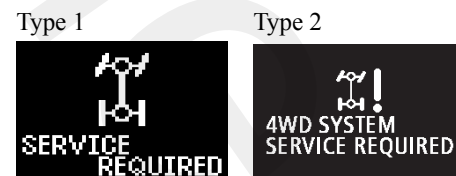
- If the selected drive mode indicator is blinking, the vehicle switches automatically to front-wheel drive in order to protect the drive-system components, and drive mode selection is no longer possible with the dial.

The warning display is also displayed in the information screen in the multi-information display.

Reduce speed, and if the indicator goes out after driving a while, resume driving as before. If the indicator continues blinking for more than about 5 minutes, have the vehicle inspected at an authorized Mitsubishi Motors dealer or a repair facility of your choice as soon as possible.

⚠ CAUTION

- The warning display on the information screen in the multi-information display, a problem has occurred with the electronically controlled 4WD system and the safety device has activated. Have an inspection made by an authorized Mitsubishi Motors dealer or a repair facility of your choice as soon as possible.



Features and controls

⚠ CAUTION

- Always use tires of the same size, type, and brand that have no wear differences. Using tires that differ in size, type, brand, or wear amount may activate the protection of the drive-system components, causing the drive mode in “4WD AUTO” mode to lock or the “4WD” and “LOCK” indicators to blink alternately.

S-AWC (Super-All Wheel Control) (if so equipped)

N00541300049

S-AWC is an integrated vehicle dynamics control system that enhances driving performance, cornering performance and vehicle stability over a wide range of driving conditions. It does this by integrated controls over the front-rear distribution of driving torque to the wheels and the left-right distribution of driving torque to the front wheels.

⚠ CAUTION

- Do not over-rely on the S-AWC. Even the S-AWC cannot prevent the natural laws of physics from acting on the vehicle. This system, like any other system, has limits and cannot help you to maintain traction and control of the vehicle in all circumstances. Reckless driving can lead to accidents. It is the driver’s responsibility to drive carefully. This means taking into account the traffic, road and environmental conditions.
- Be sure to use tires that are the same specified size, type, and brand, and have no difference in the amount of wear for all four wheels. Otherwise, the S-AWC may not work properly.

NOTE

- If the parking brake lever is pulled up while the vehicle is moving, the front-rear distribution of driving torque control will be forced to turn OFF which will allow the rear wheel to lock easier.

Features and controls

S-AWC control mode

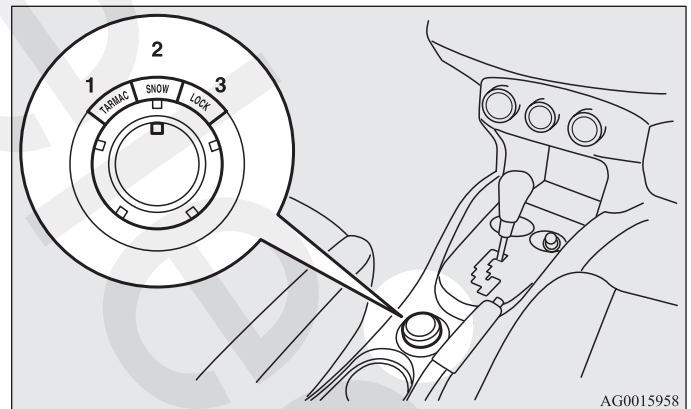
N00542400034

Select the control mode from the following three types to suit the driving conditions.

S-AWC control mode	Operation
TARMAC	Normally, use this control mode. Use this mode for paved roads.
SNOW	Use this control mode when driving on slippery road surfaces, such as snow-covered roads.
LOCK	Use this control mode when driving on rough roads where tires may slip or when necessary to get out of mud or deep snow.

S-AWC control mode-selector

The control mode can be selected by turning the dial while the ignition switch is in the "ON" position.



- 1- TARMAC
- 2- SNOW
- 3- LOCK

Features and controls

⚠ CAUTION

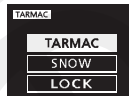
- Do not operate the dial while the tires are spinning. The vehicle might suddenly move in an unanticipated direction.
- Driving on dry, paved roads in “LOCK” mode will increase fuel consumption and noise, and cause premature tire wear.
- When the tires spin, especially if “LOCK” mode has been selected and the ASC has been turned off, you may experience strong steering feedback. Grip the steering wheel firmly.

3

NOTE

- The control mode can be changed while the vehicle is moving.

S-AWC control mode display



Example: “TARMAC” mode is selected.

The currently selected control mode is displayed on the multi-information display.

In addition, when the control mode is changed, the selected mode appears on the interrupt display screen of the information screen in the multi-information display.

The control mode display will appear on the information screen for a few seconds, and then the original screen will return.

⚠ CAUTION

- When the S-AWC control mode display blinks and “SLOW DOWN” is displayed on the information screen in the multi-information display, the S-AWC has been temporarily suspended to prevent overheating.

At that time, the drive system of your vehicle is automatically switched to front wheel drive from all wheel drive. Reduce your speed to cool down the S-AWC.

After driving for a while, if the S-AWC control modes display stops blinking and the “SLOW DOWN” on the information screen in the multi-information display disappears, the drive system of your vehicle will return to the all wheel drive.

If the S-AWC control mode display continues blinking for more than about 5 minutes, have the vehicle inspected at an authorized Mitsubishi Motors dealer or a repair facility of your choice.

Features and controls

S-AWC operation display

N00542500022

The S-AWC operation status can be displayed on the information screen in the multi-information display.

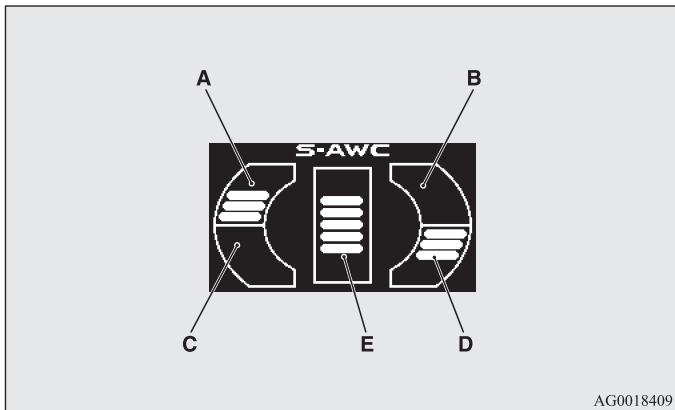
To display the status, press the multi-information meter switch to change the information screen.

Refer to “Information screen (With ignition switch in the “ON” position)” on page 3-174.

Features and controls

Display example

The S-AWC operation status is displayed.



Right-left torque control display

The status of control over driving torque to the right and left front wheels will be displayed as a bar graph.

A, D- The status of control over clockwise turning

B, C- The status of control over counterclockwise turning

Front-rear torque control display

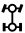
The status of control over driving torque to the front and rear wheels will be displayed in section (E) of the meter as a bar graph.

⚠ WARNING

- Always concentrate on your driving first. Keep your eyes and mind on the road. Distractions while driving can lead to an accident.

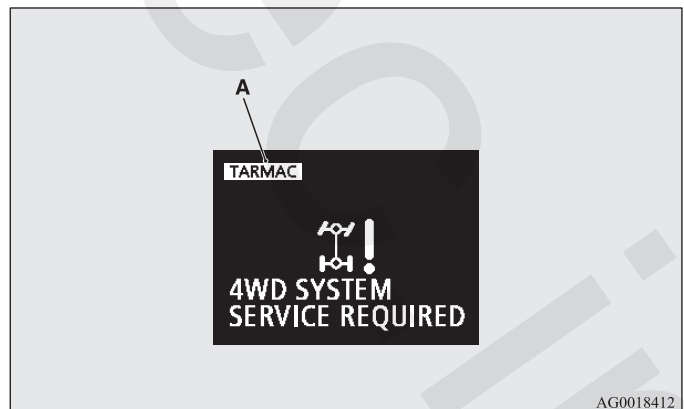
S-AWC warning display

N00542600036

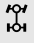
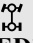
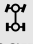
When there is a malfunction in the system, the  warning display will appear on the information screen in the multi-information display.

In addition, the S-AWC control mode display in section (A) will go out at the same time.

After that, the “4WD” display in section (A) will blink.



⚠ CAUTION

- **The system may be malfunctioning.**
Park your vehicle in a safe place and stop the engine.
Restart the engine and check whether the  warning display goes out.
If the  warning display and “SERVICE REQUIRED” go out, there is no abnormal condition. If the  warning display does not go out or appears frequently, it is not necessary to stop the vehicle immediately, but we recommend that you have your vehicle inspected.

Features and controls

4-wheel drive operation

N00530600143

Your vehicle has been designed primarily for use on pavement. But its unique 4-wheel drive system allows you to occasionally travel on unpaved roads, to campgrounds, picnic sites, and similar locations.

Not only does this ensure better handling on dry, paved roads but also permits better traction when driving on slippery, wet or snow-covered roads and when moving out of mud.

But it is not suitable for heavy off road use or towing in rough conditions.

It is particularly important to note that 4-wheel drive may not give sufficient hill climbing ability and engine braking on steep slopes. You should try to avoid driving on steep slopes.

Also, you must exercise caution when driving on sand and mud and when driving through water because sufficient traction may not be available in certain circumstances.

Please avoid driving the vehicle through areas where the tires may get stuck in deep sand or mud.

Features and controls

WARNING

- Do not over-rely on the 4-wheel drive vehicles. Even 4-wheel drive vehicles have limits to the system and ability to maintain control and traction. Reckless driving may lead to accidents. Always drive carefully, taking account of the road conditions.
- Improperly operating this vehicle on or off-pavement can cause an accident or rollover in which you and your passengers could be seriously injured or killed.
 - Follow all instructions and guidelines in the owner's manual.
 - Keep your speed low and do not drive faster than conditions.

NOTE

- Driving on rough roads can be hard on a vehicle. Before you leave the pavement, be sure all scheduled maintenance and service has been done, and that you have inspected your vehicle. Pay special attention to the condition of the tires, and check the tire pressures.
- Mitsubishi Motors is not responsible to the operator for any damage or injury caused or liability incurred by improper and negligent operation of a vehicle. All techniques of vehicle operation depend on the skill and experience of the operator and other participating parties. Any deviation from the recommended operating instructions above is at their own risk.

- Note that the stopping distance required of the 4-wheel drive vehicle differs very little from that of the front-wheel drive vehicle. When driving on a snow-covered road or a slippery, muddy surface, make sure that you keep a sufficient distance between your vehicle and the one ahead of you.
- The driving posture should be more upright; adjust the seat to a good position for easy steering and pedal operation. Be sure to wear the seat belt.
- After driving on rough roads, check each part of the vehicle and wash it thoroughly with water. Refer to the "Inspection and maintenance following rough road operation" section and "Vehicle care and Maintenance" sections.

CAUTION

- Setting the drive mode-selector to "4WD LOCK" or "LOCK" position to drive on dry paved road will increase fuel consumption, with possible noise generation.

Turning sharp corners

When turning a sharp corner in "4WD LOCK" or "LOCK" position at low speed, a slight difference in steering may be experienced similar to feeling as if the brakes were applied. This is called tight corner braking and results from each of the four tires being at a different distance from the corner. The phenomenon is typical of 4-wheel drive vehicles. If this occurs, either straighten out the steering wheel or change to another mode.

On snowy or icy roads

Set the drive mode-selector to “4WD AUTO”, “4WD LOCK” or “SNOW” in accordance with the road conditions, and then gradually depress the accelerator pedal for a smooth start.

NOTE

- The use of snow tires is recommended.
- Maintain a safe distance between vehicles, avoid sudden braking, and use engine braking (downshifting).

⚠ CAUTION

- Avoid sudden braking, sudden acceleration and sharp turning. Skidding occurs and control of the vehicle could be lost.




Driving on sandy or muddy roads

Set the drive mode-selector to “4WD LOCK” or “LOCK” and then gradually depress the accelerator pedal for a smooth start. Keep the pressure on the accelerator pedal as constant as possible, and drive at low speed.

⚠ CAUTION

- Do not force the vehicle or drive recklessly on sandy surfaces. In comparison with normal road surfaces, the engine and other drive-system components are put under excessive strain when driving on such a surface. This could lead to accidents.

⚠ CAUTION

- If any of the following conditions occur while the vehicle is being driven, immediately park your vehicle in a safe place and follow these procedures:
 - If the engine coolant temperature display  flashes on the information screen in the multi-information display or the engine power drops suddenly. Refer to “Engine overheating” on page 6-5.
 - If the “” warning display and “SLOW DOWN” or the “” warning display and “SERVICE REQUIRED” appear on the information screen in the multi-information display. Refer to “Warning display” on page 3-99, 3-109.

⚠ WARNING

- When attempting to rock your vehicle out of a stuck position, be sure that the area around the vehicle is clear of people and physical objects. The rocking motion may cause the vehicle to suddenly launch forward/backward, causing injury or damage to nearby people or objects.

Features and controls

NOTE

- Avoid sudden braking, sudden acceleration and sharp turning; such operations could result in the vehicle becoming stuck.
- If the vehicle becomes stuck in sandy or muddy roads, it can often be moved with a rocking motion. Move the selector lever alternately between the “D” (DRIVE) and “R” (REVERSE) positions while pressing lightly on the accelerator pedal.
- Driving on rough road can cause rust on the vehicle; wash the vehicle thoroughly as soon as possible after such use.

Climbing/descending sharp grades

3 Your vehicle may not provide sufficient hill climbing ability and engine braking on steep slope. Avoid driving on steep slopes even though the vehicle is an 4-wheel drive vehicle.

Driving through water

N00537800085

If the electrical circuits become wet, further operation of the vehicle will be impossible; therefore, avoid driving through water unless absolutely necessary. If driving through water is unavoidable, use the following procedure:

Check the depth of the water and the terrain before attempting to drive through it. Drive slowly to avoid creating excessive water splashing.

⚠ CAUTION

- **Never drive through water that is deep enough to cover wheel hubs, axles or exhaust pipe. Do not change the selector lever position while driving through water.**
Frequent driving through water can adversely affect the life span of the vehicle; consult an authorized Mitsubishi Motors dealer or a repair facility of your choice and take the necessary measures to prepare, inspect, and repair the vehicle.
- **After driving through water, apply the brakes to be sure they are functioning properly. If the brakes are wet and not functioning properly, dry them out by driving slowly while lightly depressing the brake pedal. Inspect each part of the vehicle carefully.**

Inspection and maintenance following rough road operation

N00530700085

After operating the vehicle in rough road conditions, be sure to perform the following inspection and maintenance procedures:

- Check that the vehicle has not been damaged by rocks, gravel, etc.
- Carefully wash the vehicle with water.
Drive the vehicle slowly while lightly depressing the brake pedal in order to dry out the brakes. If the brakes still do not function properly, contact an authorized Mitsubishi Motors dealer or a repair facility of your choice as soon as possible to have the brakes checked.
- Remove the insects, dried grass, etc. clogging the radiator core.
- After driving through water, check the engine, transaxle and differential oil. If the oil or grease is milky or cloudy because of water contamination, it must be replaced with new oil.
- Check the inside of the vehicle. If water entry is found, dry the carpet etc.
- Inspect the headlights. If water is in the headlight housing, have it drained at an authorized Mitsubishi Motors dealer or a repair facility of your choice.

Cautions on the handling of 4-wheel drive vehicles

N00530800161

Tires and wheels

Since the driving torque can be applied to the four wheels, the driving performance of the vehicle when operating in 4-wheel drive is greatly affected by the condition of the tires.

Pay close attention to the tires.

- Install only the specified tires on all wheels. Refer to “Tires and wheels” on page 9-10.
- Be sure all four tires and wheels are the same size and type.
When it is necessary to replace any of the tires or wheels, replace all four.
- All tires should be rotated before the wear difference between the front and rear tires is recognizable.

Good vehicle performance cannot be expected if there is a difference in wear between tires. Refer to “Tire rotation” on page 7-30.

- Check the tire inflation pressure regularly.

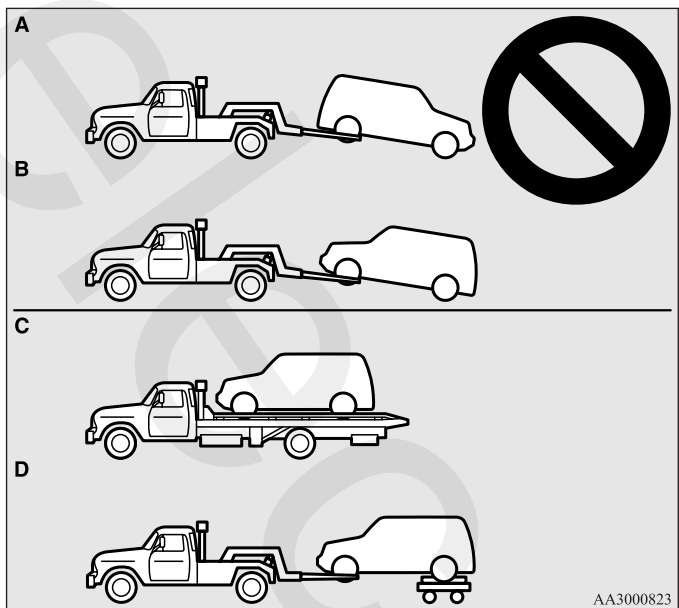
Features and controls

⚠ CAUTION

- Always use tires of the same size, type, and brand that have no wear differences. Using tires of different size, type, brands or degree of wear, will increase the differential oil temperature and result in possible damage to the driving system. Further, the drive train will be subject to excessive loading, possibly leading to oil leakage, component seizure, or other serious failures.

3

Towing



⚠ CAUTION

- Do not tow 4-wheel drive vehicles with the front or rear wheels on the ground (Type A or Type B) as illustrated. This could result in damage to the drivetrain, or unstable towing. If you tow 4-wheel drive vehicles, use Type C or Type D equipment.

⚠ CAUTION

- Even in “2WD” or “TARMAC” mode, the vehicle cannot be towed with the front or the rear wheels on the ground.

Jacking up a 4-wheel drive vehicle

⚠ WARNING

- Do not crank the engine while jacking up the vehicle. The tire on the ground may turn and the vehicle may roll off the jack.

Features and controls

Service brake

N00517500275

Brake pedal

Overuse of the brake can cause weakening, resulting in poor brake response and premature wear of the brake pads.

When driving down a long or steep hill, use engine braking by downshifting.

⚠ WARNING

- Do not leave any objects near the brake pedal or let a floor mat slide under it; doing so could prevent the full pedal stroke that would be necessary in an emergency. Make sure that the pedal can be operated freely at all times. Make sure the floor mat is securely held in place.

⚠ CAUTION

- It is important not to drive the vehicle with your foot resting on the brake pedal when braking is not required. This practice can result in very high brake temperatures, premature lining wear, and possible damage to the brakes.

Features and controls

Power brakes

N00517600364

Your vehicle is equipped with power brakes for more braking force with less brake pedal effort.

Your brakes are designed to operate at full capacity, even if the power assist is not being used.

If the power assist is not being used, the effort needed to press the brake pedal is greater.

If you should lose the power assist for some reason, the brakes will still work.

If the power brake unit or either of the two brake hydraulic systems stops working properly, the rest of the brake system will still work, but the vehicle will not slow down as quickly.

You will know this has happened if you find you need to press the brake down farther, or harder when slowing down or stopping, or if the brake warning light and the warning display in the multi-information display come on.

▲ WARNING

- Never coast downhill with the engine OFF. Keep the engine running whenever your vehicle is in motion. If you turn off the engine while driving, the power brake booster will stop working and your brakes will not work as well.
- If the power assist is lost or if either brake hydraulic system stops working properly, take your vehicle to an authorized Mitsubishi Motors dealer or a repair facility of your choice immediately.

Brake pad wear alarm

N00550700124

The disc brakes have an alarm that makes a metallic squeal when the brake pads have worn down enough to need service.

If you hear this sound, have the brake pads replaced at an authorized Mitsubishi Motors dealer or a repair facility of your choice.

▲ WARNING

- Driving with worn brake pads will make it harder to stop, and can cause an accident.

Hill start assist (if so equipped)

N00562600016

The hill start assist makes it easy to start off on a steep uphill slope by preventing the vehicle from moving backwards. It keeps the braking force for about 2 second when you move your foot from the brake pedal to the accelerator pedal.

N00562700075

To operate

1. Stop the vehicle completely using the brake pedal.
2. Release the brake pedal and the hill start assist will maintain the braking force applied while stopping for approximately 2 seconds.
3. Depress the accelerator pedal and the hill start assist gradually will decrease the braking force as the vehicle starts moving.

⚠ CAUTION

- Do not overly rely on the hill start assist to prevent backwards movement of the vehicle. Under certain circumstances, even when hill start assist is activated, the vehicle may move backwards if the brake pedal is not sufficiently depressed, if the vehicle is heavily loaded, or if the road is very steep or slippery.
- The hill start assist is not designed to keep the vehicle stopped in place on uphill slopes for more than 2 seconds.
- When facing uphill, do not rely on using the hill start assist to maintain a stopped position as an alternative to depressing the brake pedal. Doing so could cause an accident.
- Do not turn the ignition switch to the “LOCK” or “ACC” position while the hill start assist is operating. The hill start assist could stop operating, which could result in an accident.

NOTE

- The hill start assist is activated when all of the following conditions are met.
 - The engine is running.
(The hill start assist will not be activated while the engine is starting or immediately after the engine is started.)
 - The selector lever is in any position other than “P” (PARK) or “N” (NEUTRAL).
 - The vehicle is completely stationary, with the brake pedal depressed.
 - The parking brake is released.
- The hill start assist will not operate if the accelerator pedal is depressed before the brake pedal is released.
- The hill start assist also operates when reversing on an uphill slope.

Features and controls

Warning display

N00562800076

If an abnormal condition occurs in the system, the following display/indicator will turn on.

 - ASC indicator

Warning display type 1



Warning display type 2



NOTE

- The combination of items shown on the display varies depending on the vehicle model.

CAUTION

- If the warning is displayed, the hill start assist will not operate. Start off carefully.
- Park your vehicle in a safe place and stop the engine. Restart the engine and check whether the indicator/display goes out, in which case the hill start assist is again working normally. If they remain displayed or reappear frequently, it is not necessary to stop the vehicle immediately, but the vehicle should be inspected by an authorized Mitsubishi Motors dealer or a repair facility of your choice as soon as possible.

Brake assist system

N00567300076

The brake assist system is a device assisting drivers who cannot depress the brake pedal firmly such as in emergency stop situations and provides greater braking force.

If the brake pedal is depressed suddenly, the brakes will be applied with more force than usual.

▲ CAUTION

- **The brake assist system is not a device designed to exercise braking force greater than its capacity. Make sure to always keep a sufficient distance between vehicles in front of you without relying too much on the brake assist system.**

NOTE

- Once the brake assist system is operational, it maintains great braking force even if the brake pedal is lightly released.
To stop its operation, completely remove your foot from the brake pedal.
- The brake assist system may become operational when the brake pedal is fully depressed even if it has not been depressed suddenly.
- When the brake assist system is in use while driving, you may feel as if the depressed brake pedal is soft, the pedal moves in small motions in conjunction with the operation noise, or the vehicle body and the steering wheel vibrate. This occurs when the brake assist system is operating normally and does not indicate faulty operation. Continue to depress the brake pedal.
- You may hear an operation noise when the brake pedal is suddenly or fully depressed while stationary. This does not indicate a malfunction and the brake assist system is operating normally.

Features and controls

Anti-lock braking system

N00517900240

The anti-lock braking system helps prevent the wheels from locking up when braking. This helps maintain vehicle drivability and steering wheel handling.

Driving hints

- When using the anti-lock brakes (sudden braking), steering is slightly different from normal driving conditions. Use the steering wheel carefully.
- Always keep a safe distance from the vehicle in front of you. Even if your vehicle is equipped with the anti-lock braking system, leave a greater braking distance when:
 - Driving on gravel or snow-covered roads.
 - Driving on uneven road surfaces.
- Operation of anti-lock braking system is not restricted situations where brakes are applied suddenly. This system may also prevent the wheels from locking when you drive over manholes, steel roadwork plates, road markings, or any uneven road surface.
- When the anti-lock braking system is in use, you may feel the brake pedal vibrating and hear a unique sound. It may also feel as if the pedal resists being pressed.

In this situation, simply hold the brake pedal down firmly. Do not pump the brake, which will result in reduced braking performance.

⚠ CAUTION

- **The anti-lock braking system cannot prevent accidents. It is your responsibility to take safety precautions and to drive carefully.**
- **To prevent failure of the anti-lock braking system, be sure all 4 wheels and tires are the same size and the same type.**

NOTE

- A whining sound is emitted from the engine compartment when driving immediately after starting the engine. These are the normal sounds the anti-lock braking system makes when performing a self-check. It does not indicate a malfunction.
- The anti-lock braking system can be used after the vehicle has reached a speed over approximately 6 mph (10 km/h). It stops working when the vehicle slows below 3 mph (5 km/h).

Anti-lock braking system warning light / display

N00531600586

Warning light



Warning display type 1



Warning display type 2



If there is a malfunction in the system, the anti-lock braking system warning light will come on and the warning display will appear on the information screen in the multi-information display.

Under normal conditions, the anti-lock braking system warning light only comes on when the ignition switch is turned to the "ON" position and goes off a few seconds later.

CAUTION

- Any of the following indicates that the anti-lock braking system is not functioning and only the standard brake system is working. (The standard brake system is functioning normally.) If this happens, take your vehicle to an authorized Mitsubishi Motors dealer or a repair facility of your choice.
 - When the ignition switch is in the "ON" position, the warning light does not come on or it remains on and does not go off
 - The warning light comes on while driving
 - The warning display appears while driving

Features and controls

If the warning light / display illuminate while driving

N00531700516

If only the anti-lock braking system warning light/display illuminate

- Avoid hard braking and high-speed driving. Stop the vehicle in a safe place.
Test the system by restarting the engine and driving at a speed of about 12 mph (20 km/h) or higher.
If the warning light / display then remains off during driving, there is no abnormal condition.
However, if the warning light / display do not disappear, or if they come on again when the vehicle is driven, have the vehicle checked by an authorized MITSUBISHI MOTORS dealer or repair facility of your choice as soon as possible.

3

If the anti-lock braking system warning light / display and brake warning light / display illuminate at the same time

Warning light



Warning display type 1



Warning display type 2



The anti-lock braking system and brake force distribution function may not work, so hard braking could make the vehicle unstable.

Avoid hard braking and high-speed driving. Stop the vehicle in a safe place and contact an authorized MITSUBISHI MOTORS dealer or repair facility of your choice.

NOTE

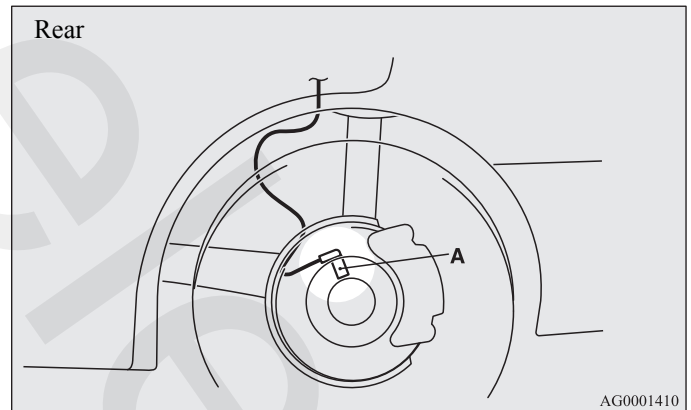
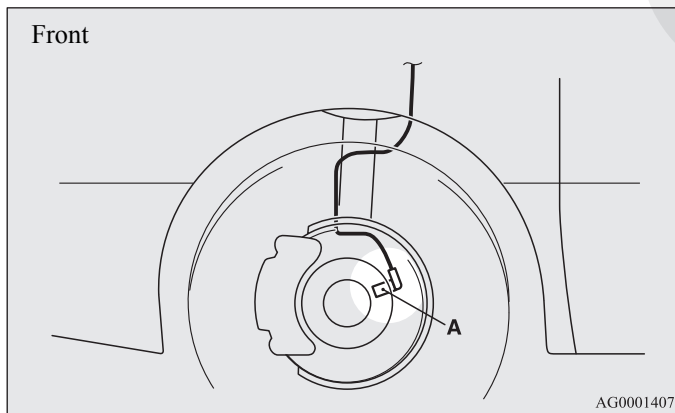
- The anti-lock braking system warning light and brake warning light illuminate at the same time and the warning displays appear alternately on the information screen in the multi-information display.

Features and controls

After driving on icy roads

N00529200019

After driving on snow or icy roads, remove any snow and ice which may be left around the wheels. On vehicles that have an anti-lock braking system, be careful not to damage the wheel speed sensors (A) or the cables located at each wheel.



Features and controls

Power steering system

N00518000323

The power steering system operates while the engine is running. It helps reduce the effort needed to turn the steering wheel.

The power steering system has mechanical steering capability in case the power assist is lost. If the power assist is lost for some reason, you will still be able to steer your vehicle, but you will notice it takes much more effort to steer. If this happens, have your vehicle inspected at an authorized Mitsubishi Motors dealer or a repair facility of your choice.

3

⚠ WARNING

- Do not stop the engine while the vehicle is moving. Stopping the engine would make the steering wheel extremely hard to turn, possibly resulting in an accident.

⚠ CAUTION

- Do not leave the steering wheel turned all the way in one direction. This can cause damage to the power steering system.

Active stability control (ASC)

N00559100147

The Active stability control (ASC) takes overall control of the anti-lock braking system, traction control function and skid control function to help maintain the vehicle's control and traction. Please read this section in conjunction with the page on the anti-lock braking system, traction control function and skid control function.

Anti-lock braking system → P.3-134

Traction control function → P.3-139

Skid control function → P.3-139

⚠ CAUTION

- Do not over-rely on the ASC. Even the ASC cannot prevent the natural laws of physics from acting on the vehicle. This system, like any other system, has limits and cannot help you to maintain traction and control of the vehicle in all circumstances. Reckless driving can lead to accidents. It is the driver's responsibility to drive carefully. This means taking into account the traffic, road and environmental conditions.
- Be sure to use the same specified type and size of tire on all four wheels. Otherwise, the ASC may not work properly.
- Do not install any aftermarket limited slip differential (LSD) on your vehicle. The ASC may stop functioning properly.

NOTE

- An operation noise may be emitted from the engine compartment in the following situations. The sound is associated with checking the operations of the ASC. At this time, you may feel a shock from the brake pedal if you depress it. These do not indicate a malfunction.
 - When the ignition switch is set to the “ON” position.
 - When the vehicle is driven for a while after the engine is turned on.
- When the ASC is activated, you may feel a vibration in the vehicle body or hear a whining sound from the engine compartment.
This indicates that the system is operating normally. It does not indicate a malfunction.
- When the anti-lock braking system warning light is illuminated, the ASC is not active.

Traction control function

N00559200021

On slippery surfaces, the traction control function prevents the drive wheels from spinning excessive, thus helping the vehicle to start moving from a stopped condition. It also provides sufficient driving force and steering performance as the vehicle turns while pressing the acceleration pedal.

CAUTION

- When driving a vehicle on a snowy or icy road, be sure to install snow tires and drive the vehicle at moderate speeds.

Skid control function

N00559300019

The skid control function is designed to help the driver maintain control of the vehicle on slippery roads or during rapid steering maneuvers. It works by controlling the engine output and the brake on each wheel.

NOTE



- The skid control function operates at speeds of about 9 mph (15 km/h) or higher.

Features and controls

ASC OFF switch

N00559400195

The ASC is automatically activated when the ignition switch is turned to the “ON” position. You can deactivate the system by pressing down the “ASC OFF” switch for 3 seconds or longer.

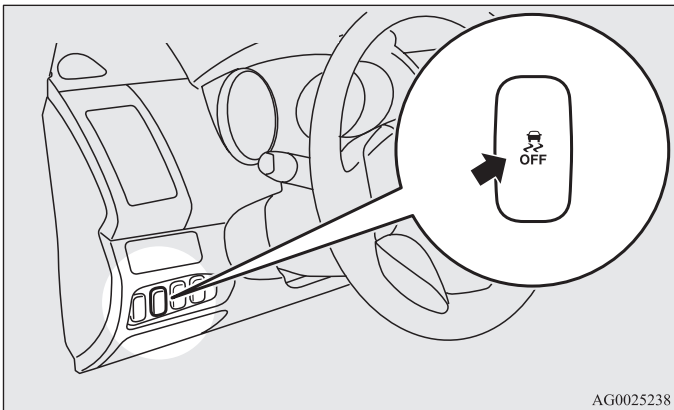
When the ASC is deactivated, the  display/indicator will turn on. To reactivate the ASC, momentarily press the “ASC OFF” switch ; the  display/indicator is turned off.

CAUTION

- For safety reasons, the “ASC OFF” switch should be operated when your vehicle is stopped.
- Be sure to keep the ASC on while driving in normal circumstances.
- If the ASC is deactivated, the driver may lose their grip on the steering wheel when the tires spin. Grip the steering wheel firmly while driving.



NOTE

- Using the “ASC OFF” switch turns off both the stability control function and the traction control function.
- When moving out of mud, sand or fresh snow, pressing the accelerator pedal may not allow the engine speed to increase. In such situations, temporarily turning off ASC with the “ASC OFF” switch will make it easier to move out your vehicle.
- If you continue to press the “ASC OFF” switch after the ASC is turned off, the “mistaken operation protection function” will activate and the ASC will turn back on.



ASC operation display or ASC OFF display


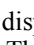
N00559500213

-  - ASC operation display/ASC indicator
The display/indicator will blink when the ASC is operating.
-  - ASC OFF display/ASC OFF indicator
This display/indicator will turn on when the ASC is turned off with the "ASC OFF" switch.

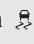


NOTE

- The combination of items shown on the display varies depending on the vehicle model.

NOTE

- The  display/indicator may come on when you start the engine. This means that the battery voltage momentarily dropped when the engine was started. It does not indicate a malfunction, provided that the display goes out immediately.
- When a spare tire has been put on your vehicle, the gripping ability of the tire will be lower, making it more likely that the  display/indicator will blink.

⚠ CAUTION



- When  display/indicator blinks, ASC is operating, which means that the road is slippery or that your vehicle's wheels are beginning to slip. If this happens, drive slower.
- If the temperature in the braking system continues to increase due to continuous brake control on a slippery road surface, the  display/indicator will blink. To prevent the brake system from overheating, the brake control of the traction control function will be temporarily suspended. The engine control of the traction control function and normal brake operation will not be affected. Park your vehicle in a safe place. When the temperature in the braking system has come down, the  display/indicator will be turned off and the traction control function will start operating again.

Features and controls

ASC warning display

N0054660089

If an abnormal condition occurs in the system, the following display/indicator will turn on.

-  - ASC indicator
-  - ASC OFF display/ASC OFF indicator

Warning display type 1



Warning display type 2



NOTE

- The combination of items shown on the display varies depending on the vehicle model.

CAUTION

- The system may be malfunctioning. Park your vehicle in a safe place and stop the engine. Restart the engine and check whether the display/indicator goes out. If they go out, there is no abnormal condition. If they do not go out or if they turn on frequently, it is not necessary to stop the vehicle immediately, but you should have your vehicle inspected by an authorized Mitsubishi Motors dealer or a repair facility of your choice as soon as possible.

Towing

N0054630060

CAUTION

- When towing the vehicle with only the front wheels or only the rear wheels raised off the ground, do not place the ignition switch in the “ON” position. Placing the ignition switch in the “ON” position could cause the ASC to operate, resulting in an accident. Note that the correct towing method depends on the transmission type and the vehicle’s drive configuration. For details, refer to “Towing” on page 6-25.

Cruise control (if so equipped)

N00518300515

Cruise control is an automatic speed control system that keeps a set speed. It can be activated at speeds from about 25 mph (40 km/h). Cruise control does not work at speeds below about 25 mph (40 km/h).

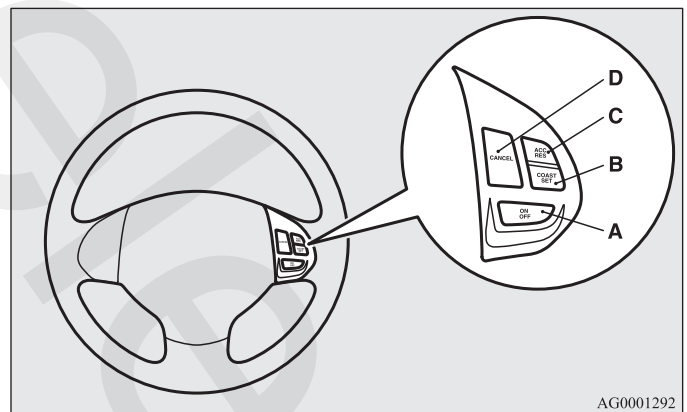
⚠ CAUTION

- When you do not wish to drive at a set speed, turn off the cruise control for safety.
- Do not use cruise control when driving conditions will not allow you to stay at the same speed, such as in heavy traffic or on roads that are winding, icy, snow-covered, wet, slippery, on a steep downhill slope.

NOTE

- Cruise control may not be able to keep your speed on uphill or downhill.
- Your speed may decrease on a steep uphill. You may use the accelerator pedal if you want to stay at your set speed.
- Your speed may increase to more than the set speed on a steep downhill. You have to use the brake to control your speed. As a result, the set speed driving is deactivated.

Cruise control switches



Features and controls

A- "ON OFF" switch

Used to turn on and off the cruise control.

B- "COAST SET" switch

Used to reduce the set speed and to set the desired speed.

C- "ACC RES" switch

Used to increase the set speed and to return to the original set speed.

D- "CANCEL" switch

Used to deactivate the set speed driving.

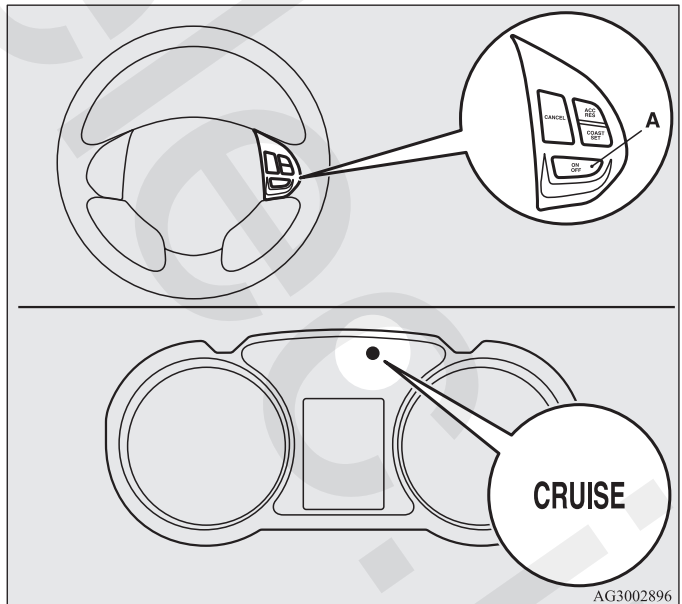
NOTE

- When operating the cruise control switches, press the cruise control switches correctly. The set speed driving may be deactivated automatically if two or more switches of the cruise control are pressed at the same time.

To activate

N00518400356

1. With the ignition switch in the "ON" position, press the "ON OFF" switch (A) to turn on the cruise control. The "CRUISE" indicator light in the meter cluster will come on.

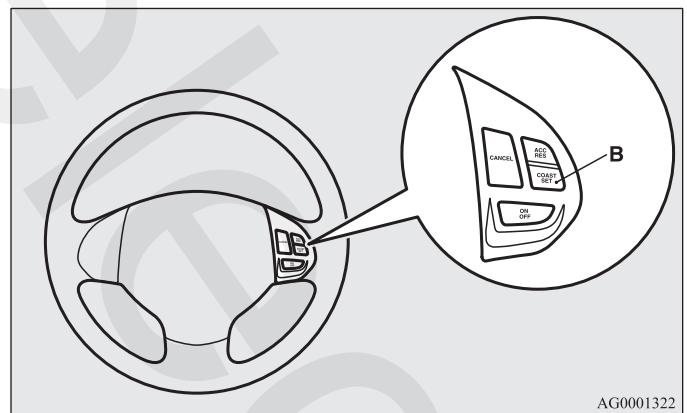


Features and controls

NOTE

- If the cruise control is on when the ignition switch is turned to “LOCK” or “ACC” position, cruise control will be on automatically the next time you start the engine. The “CRUISE” indicator light will also be on.
- If the battery voltage is insufficient, the memory data for the cruise control may be erased. As a result, the “CRUISE” indicator light may not come on when you restart the engine. If this happens, press the “ON OFF” switch once again to turn on the cruise control.

2. Accelerate or decelerate to your desired speed, then press and release the “COAST SET” switch (B) when the “CRUISE” indicator light is illuminated. The vehicle will then maintain the desired speed.



NOTE

- When you release the “COAST SET” switch, the vehicle speed will be set.

Features and controls

To increase the set speed

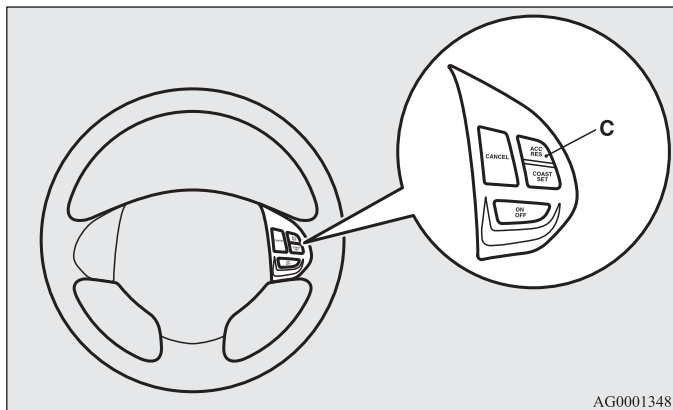
There are 2 ways to increase the set speed.

“ACC RES” switch

Press and hold the “ACC RES” switch (C) while driving at the set speed, and your speed will then gradually increase.

When you reach your desired speed, release the switch. Your new cruising speed is now set.

N00518500328

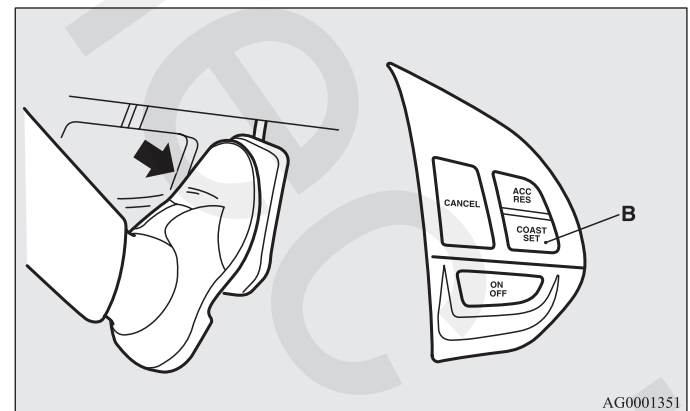


AG0001348

To increase your speed in small amounts, press the “ACC RES” switch for less than about 1 second and release it. Each time you press the “ACC RES” switch, your vehicle will go about 1 mph (1.6 km/h) faster.

Accelerator pedal

While driving at the set speed, use the accelerator pedal to reach your desired speed and then press the “COAST SET” switch (B) and release the switch momentarily to set a new desired cruising speed.



AG0001351

Features and controls

To decrease the set speed

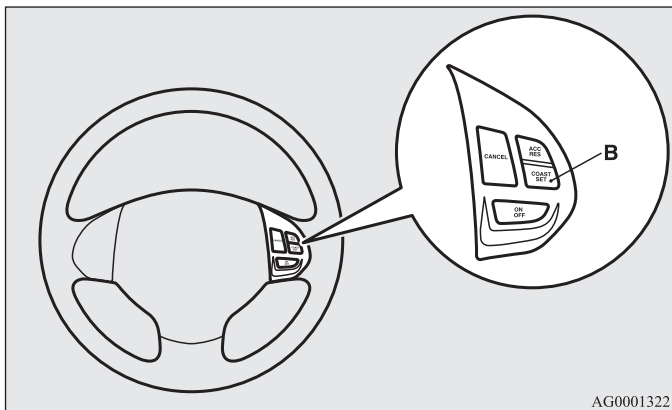
There are 2 ways to decrease the set speed.

“COAST SET” switch

Press and hold the “COAST SET” switch (B) while driving at the set speed, and your speed will slow down gradually.

When you reach your desired speed, release the switch. Your new cruising speed is now set.

N00518600257



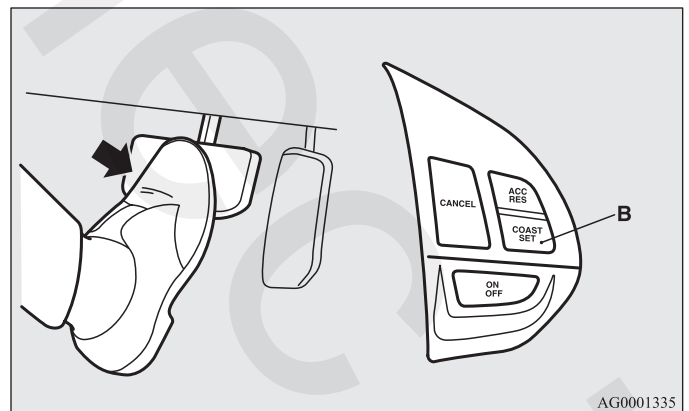
AG0001322

To slow down your speed in small amounts, press the “COAST SET” switch for less than about 1 second and release it.

Each time you press the “COAST SET” switch, your vehicle will slow down by about 1 mph (1.6 km/h).

Brake pedal

While driving at the set speed, use the brake pedal, which disengages the cruise control, then press the “COAST SET” switch (B) and release the switch momentarily to set a new desired cruising speed.



AG0001335

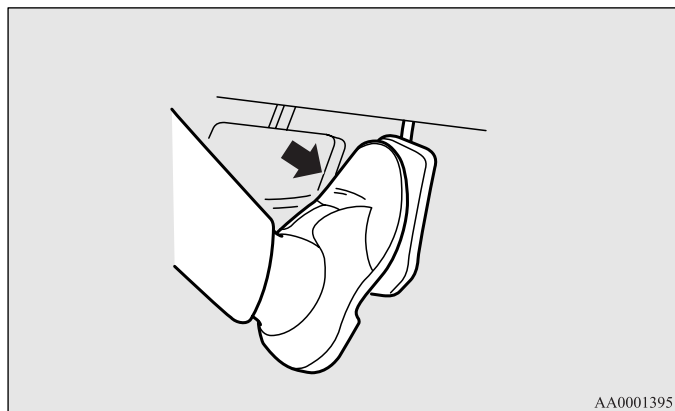
Features and controls

To temporarily increase or decrease the speed

N00541700030

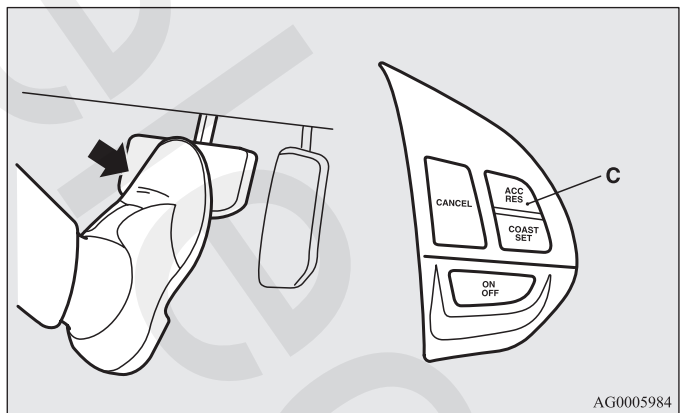
To temporarily increase the speed

Depress the accelerator pedal as you would normally. When you release the pedal, you will return to your set speed.



To temporarily decrease the speed

Depress the brake pedal to decrease the speed. To return to the previously set speed, press the “ACC RES” switch (C). Refer to “To resume the set speed” on page 3-150.

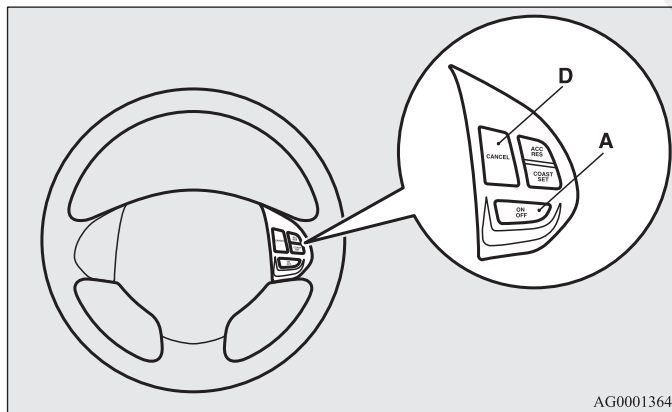


Features and controls

To deactivate

The set speed driving can be deactivated as follows:

- Press the “ON OFF” switch (A). (Cruise control will be turned off.)
- Press the “CANCEL” switch (D).
- Depress the brake pedal.



The set speed driving is deactivated automatically in any of the following ways.

- When your speed slows to about 10 mph (15 km/h) or more below the set speed because of a hill, etc.
- When your speed slows to about 25 mph (40 km/h) or less.
- When the active stability control (ASC) starts operating. Refer to “Active stability control (ASC)” on page 3-138.

⚠ WARNING

- Although the cruise control will be disengaged when shifting to the “N” position, never move the selector lever to the “N” (NEUTRAL) position while driving. You would have no engine braking and could cause a serious accident.

Features and controls

Also, the set speed driving may be deactivated as follow:

- When the engine speed rises and approaches the tachometer's red zone (the red-colored part of the tachometer dial).

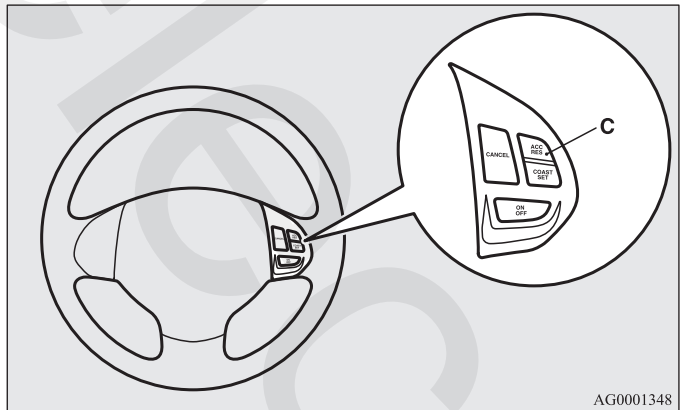
CAUTION

- When the set speed driving is deactivated automatically in any situation other than those listed above, there may be a system malfunction. Press the "ON OFF" switch to turn off the cruise control and have your vehicle inspected by an authorized Mitsubishi Motors dealer or a repair facility of your choice.

To resume the set speed

N00518900276

If the set speed driving is deactivated by the condition described in "To deactivate" on page 3-149, you can resume the previously set speed by pressing the "ACC RES" switch (C) while driving at a speed of about 25 mph (40 km/h) or higher.



Features and controls

Under either of the following conditions, however, using the switch does not allow you to resume the previously set speed.

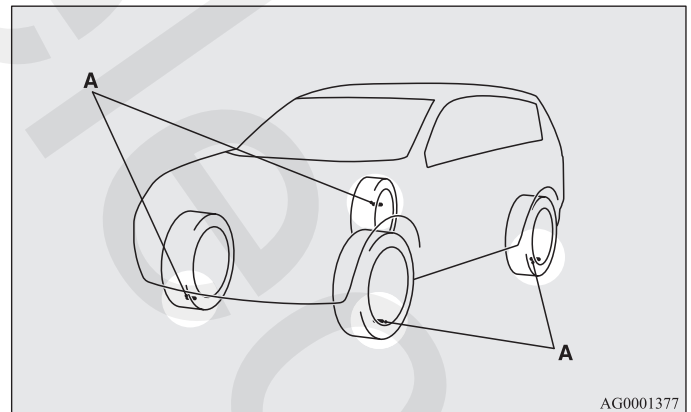
In these situations, repeat the speed setting procedure:

- The “ON OFF” switch is pressed.
- The ignition switch is turned OFF.
- “CRUISE” indicator light is turned OFF.

Tire pressure monitoring system

N00530200442

The tire pressure monitoring system uses tire inflation pressure sensors (A) on the wheels to monitor the tire inflation pressures. The system only indicates when a tire is significantly under-inflated.



AG0001377

⚠ WARNING

- The compact spare wheel does not have a tire inflation pressure sensor. When the spare tire is used, the tire pressure monitoring system will not work properly. See an authorized Mitsubishi Motors dealer as soon as possible to replace or repair the original tire.

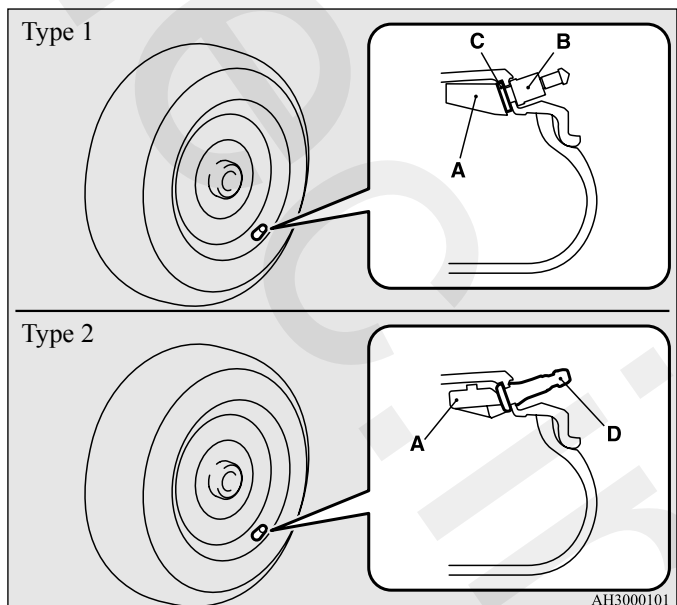
Features and controls

NOTE

- The tire pressure monitoring system is not a substitute for regularly checking tire inflation pressures. Be sure to check the tire inflation pressures as described in “Tires” on page 7-24.

- The tire inflation pressure sensor (A) is installed in the illustrated location.
- On vehicles with Type 1 sensor which has the metallic air valve (B), replace grommet (C) with a new one when the tire is replaced.
- On vehicles with Type 2 sensor which has the rubber air valve (D), replace rubber valve (D) with new one when the tire is replaced.

For details, please contact your authorized Mitsubishi Motors dealer.



The tire pressure monitoring system warning light / display

N00532700236



When the ignition switch is turned to the “ON” position, the tire pressure monitoring system warning light normally illuminates and goes off a few seconds later.

If one or more of the vehicle tires (except for the spare tire) is significantly under-inflated, the warning light will remain illuminated while the ignition switch is in the “ON” position. Refer to “If the warning light / display illuminates while driving” on page 3-155 and take the necessary measures.

NOTE

- In addition, the warning display is displayed on the information screen in the multi-information display.

Type 1



Type 2



⚠ CAUTION

- If the tire pressure monitoring system warning light does not illuminate when the ignition switch is turned to the “ON” position, it means that the tire pressure monitoring system is not working properly. Have the system inspected by an authorized Mitsubishi Motors dealer. In such situations, a malfunctioning of the system may be preventing the monitoring of the tire pressure. Avoid sudden braking, sharp turning and high-speed driving.
- If a malfunction is detected in the tire pressure monitoring system, the tire pressure monitoring system warning light will blink for approximately 1 minute and then remain continuously illuminated. The warning light will issue further warnings each time the engine is restarted as long as the malfunction exists. Check to see whether the warning light goes off after few minutes driving. If it then goes off during driving, there is no problem. However, if the warning light does not go off, or if it blinks again when the engine is restarted, have the vehicle inspected by an authorized Mitsubishi Motors dealer. In such situations, a malfunctioning of the system may be preventing the monitoring of the tire pressure. For safety reasons, when the warning light appears while driving, avoid sudden braking, sharp turning and high-speed driving.

Features and controls

NOTE

- In addition, the warning display is displayed on the information screen in the multi-information display.

Type 1



Type 2



3

Each tire, including the spare (if provided), should be checked monthly when cold and inflated to the inflation pressure recommended by the vehicle manufacturer on the vehicle placard or tire inflation pressure label. (If your vehicle has tires of a different size than the size indicated on the vehicle placard or tire inflation pressure label, you should determine the proper tire inflation pressure for those tires.)

As an added safety feature, your vehicle has been equipped with a tire pressure monitoring system (TPMS) that illuminates a low tire pressure telltale when one or more of your tires is significantly under-inflated.

Accordingly, when the low tire pressure telltale illuminates, you should stop and check your tires as soon as possible, and inflate them to the proper pressure. Driving on a significantly under-inflated tire causes the tire to overheat and can lead to tire failure.

Under-inflation also reduces fuel efficiency and tire tread life, and may affect the vehicle's handling and stopping ability. Please note that the TPMS is not a substitute for proper tire maintenance, and it is the driver's responsibility to maintain correct tire pressure, even if under-inflation has not reached the level to trigger illumination of the TPMS low tire pressure telltale.

Your vehicle has also been equipped with a TPMS malfunction indicator to indicate when the system is not operating properly. The TPMS malfunction indicator is combined with the low tire pressure telltale.

When the system detects a malfunction, the telltale will flash for approximately one minute and then remain continuously illuminated. This sequence will continue upon subsequent vehicle start-ups as long as the malfunction exists.

Features and controls

When the malfunction indicator is illuminated, the system may not be able to detect or signal low tire pressure as intended. TPMS malfunctions may occur for a variety of reasons, including the installation of replacement or alternate tires or wheels on the vehicle that prevent the TPMS from functioning properly. Always check the TPMS malfunction telltale after replacing one or more tires or wheels on your vehicle to ensure that the replacement or alternate tires and wheels allow the TPMS to continue to function properly.

If the warning light / display illuminates while driving

N00532800400

1. If the tire pressure monitoring system warning light illuminates, avoiding hard braking, sharp steering maneuvers and high speeds. You should stop and adjust the tires to the proper inflation pressure as soon as possible. Adjust the spare tire at the same time. Refer to “Tires” on page 7-24.

NOTE

- In addition, the warning display is displayed on the information screen in the multi-information display.
- When inspecting or adjusting the tire pressure, do not apply excessive force to the valve stem to avoid breakage.
- After inspecting or adjusting the tire pressure, always reinstall the valve cap on the valve stem.
Without the valve cap, dirt or moisture could get into the valve, resulting in damage to the tire inflation pressure sensor.
- Do not use metal valve caps, which may cause a metal reaction, resulting in corrosion and damage of the tire inflation pressure sensors.
- Once adjustments have been made, the warning light will go off after a few minutes of driving.

Features and controls

2. If the tire pressure monitoring system warning light remains illuminated after you have been driving for about 20 minutes after you adjust the tire inflation pressure, one or more of the tires may have a puncture. Inspect the tire and if it has a puncture, have it repaired by an authorized Mitsubishi Motors dealer as soon as possible.

⚠ WARNING

- If the warning light / display illuminates while you are driving, avoid hard braking, sharp steering maneuvers and high speeds.
Driving with an under-inflated tire adversely affects vehicle performance and can result in an accident.

⚠ CAUTION

- If a tire has a puncture, replace that tire with the spare tire. Driving on a punctured tire could lead to an accident.
- The warning light / display may not illuminate immediately in the event of a tire blowout or rapid leak.

NOTE

- To avoid the risk of damage to the tire inflation pressure sensors, have any punctured tire repaired by an authorized Mitsubishi Motors dealer. If the tire repair is not done by an authorized Mitsubishi Motors dealer, it is not covered by your warranty.
- Do not use an aerosol puncture-repair spray on any tire. Such a spray could damage the tire inflation pressure sensors. Have any puncture repaired by an authorized Mitsubishi Motors dealer.

The tire pressure monitoring system may not work normally in the following circumstances:

- A wireless facility or device using the same frequency is near the vehicle.
- Snow or ice is stuck inside the fenders and/or on the wheels.
- The tire inflation pressure sensor's battery is dead.
- Wheels other than Mitsubishi genuine wheels are being used.
- Wheels that are not fitted with tire inflation pressure sensors are being used.
- Wheels whose ID codes are not memorized by the vehicle are used.
- Compact spare tire is fitted on a road wheel.
- A window tint that affects the radio wave signals is installed.

NOTE

- Tire inflation pressures vary with the ambient temperature. If the vehicle is subjected to large variations in ambient temperature, the tire inflation pressures may be under-inflated (causing the warning light / display come on) when the ambient temperature is relatively low. If the warning light / display comes on, adjust the tire inflation pressure.

Whenever the tires and wheels are replaced with new ones

N0053290081

If new wheels with new tire inflation pressure sensors are installed, their ID codes must be programmed into the tire pressure monitoring system. Have tire and wheel replacement performed by an authorized Mitsubishi Motors dealer to avoid the risk of damaging the tire inflation pressure sensors. If the wheel replacement is not done by an authorized Mitsubishi Motors dealer, it is not covered by your warranty.

⚠ CAUTION

- The use of non-genuine wheels will prevent the proper fit of the tire inflation pressure sensors, resulting air leakage or damage of the sensors.

General information

N0053300180

Your tire pressure monitoring system operates on a radio frequency subject to Federal Communications Commission (FCC) Rules (For vehicles sold in U.S.A.) and Industry Canada Rules (For vehicles sold in Canada). This device complies with Part 15 of the FCC Rules and RSS-Gen of the Industry Canada Rules.

Operation is subject to the following two conditions.

- This device may not cause harmful interference.
- This device must accept any interference received, including interference that may cause undesired operation.

⚠ CAUTION

- Changes or modifications not expressly approved by the manufacturer for compliance could void the user's authority to operate the equipment.

Features and controls

Rear-view camera (if so equipped)

N00546200098

When the selector lever is in the “R” (REVERSE) position with the ignition switch in the “ON” position, the rear-view image will be displayed on the screen of the Mitsubishi Multi-Communication System in the center panel or on the left portion of the inside rearview mirror.

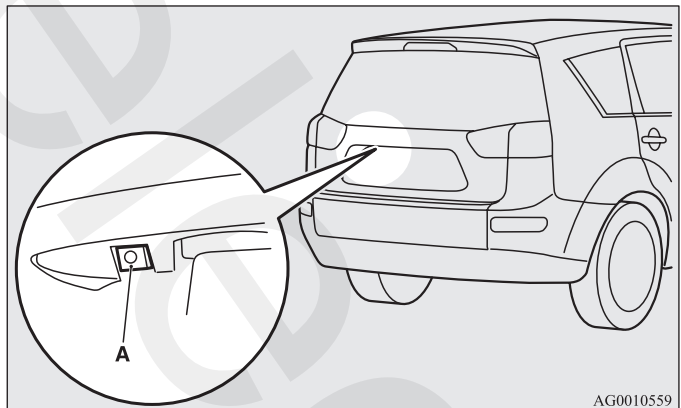
When the selector lever is shifted out of the “R” (REVERSE) position, the rear-view image will go off.

⚠ WARNING

- Never rely solely on the rear-view camera to clear the area behind your vehicle. Always check visually behind and all around your vehicle for persons, animals, obstructions or other vehicles. Failure to do so can result in vehicle damage, serious injury or death.
- The rear-view camera is an aid system for backing up, but it is not a substitute for your visual confirmation.
- The view on the screen is limited, and objects outside the view, such as under the bumper or around either corner of the bumper end, cannot be seen on the screen.

Location of rear-view camera

The rear-view camera (A) is in the tailgate, at the left side of the tailgate handle.



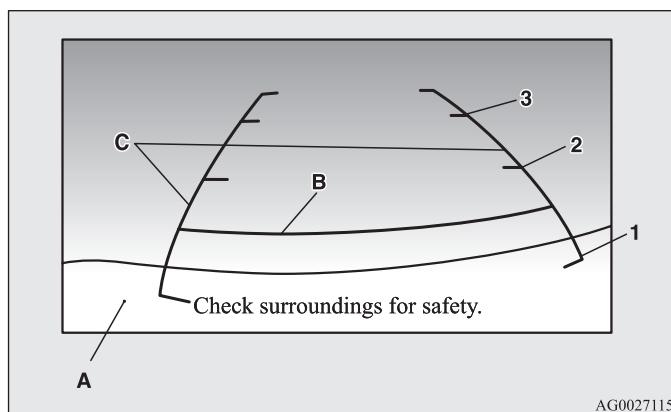
⚠ CAUTION

- If the camera lens gets dirty, a clear image cannot be obtained. As necessary, rinse the lens with clean water and gently wipe with a clean, soft cloth.
- To avoid damaging the camera;
 - Do not rub the cover excessively or polish it by using an abrasive compound.
 - Do not disassemble the camera.
 - Do not splash hot water directly on the lens.
 - Do not spray the camera and its surroundings with high-pressure water.
 - Make sure that the tailgate is securely closed when backing up.

Reference lines on the screen

Reference lines and upper surface of the rear bumper (A) are displayed on the screen.

- Red line (B) indicates approximately 20 inches (50 cm) behind the rear bumper.
- Two Green lines (C) indicate approximately 8 inches (20 cm) outside of the vehicle body.
- Short transverse lines (1 to 3) indicate distance from the rear bumper.



- 1: Approximately at the rear edge of the rear bumper
- 2: Approximately 39 inches (100 cm)
- 3: Approximately 79 inches (200 cm)

⚠ CAUTION

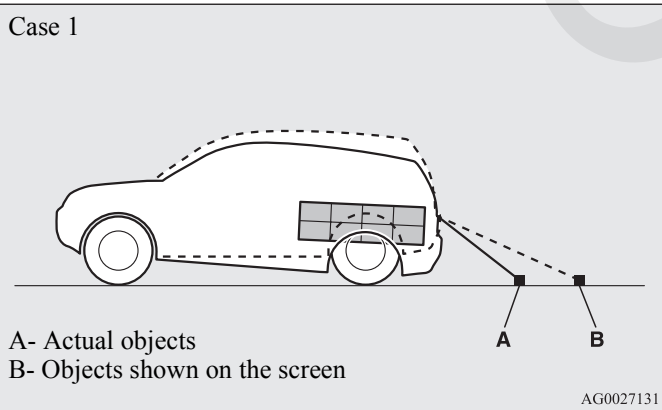
- The rear-view camera uses a wide-angle lens. As a result, images and distances shown on the screen are not exact.
- Actual distance may be different from distance indicated by the lines on the screen, depending on the loading condition of the vehicle and road surface condition.

The reference lines for distance and vehicle width are based on a level, flat road surface. In the following cases, objects shown on the screen will appear to be farther off than they actually are.

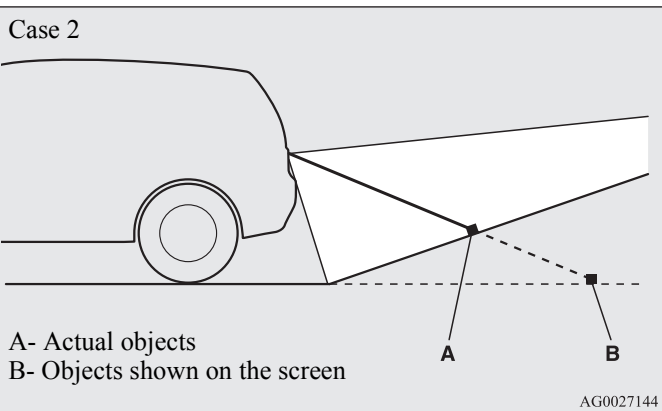
- When the rear of the vehicle is weighed down with the weight of passengers and luggage in the vehicle. (Case 1)
- When there is an upward slope at the back. (Case2)

Features and controls

Case 1

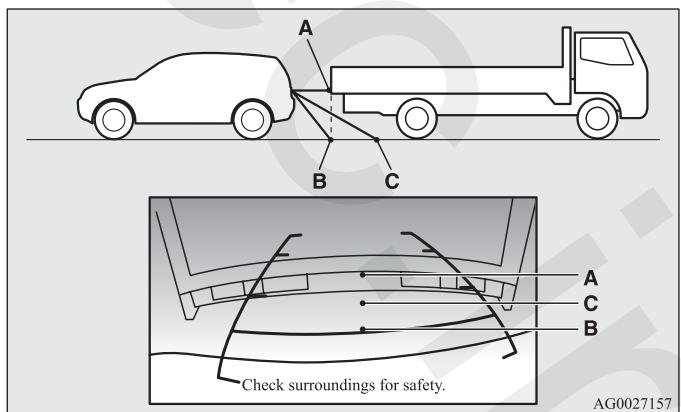


Case 2



⚠ CAUTION

- The reference lines for distance and vehicle width are intended to indicate the distance to a flat object such as a level, flat road surface. They may not indicate correct distance depending on the shape of an obstacle. For example, when there is an object behind the vehicle that has upper sections projecting in the direction of the vehicle, the reference lines on the screen will indicate that point A is the farthest point and point B is the closest point to the vehicle. In reality, point A and B are actually the same distance from the vehicle, and point C is farther off than point A and B.



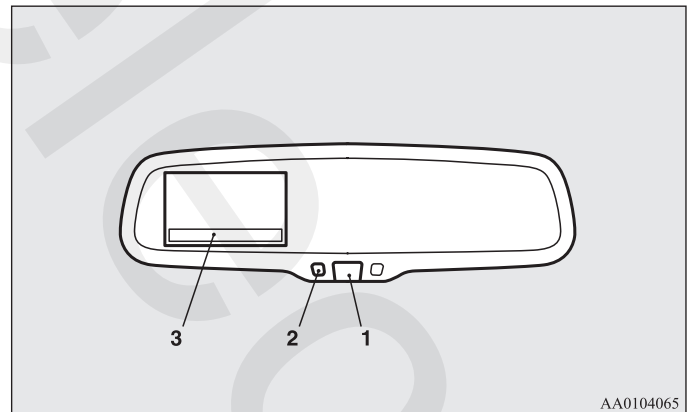
NOTE

- Mirror image is displayed on the screen.
- Monitor brightness is adjusted automatically by sensors.
- It is possible to change the display language of the screen.
For details, please refer to the separated owner's manual for "Mitsubishi Multi-Communication System" or "Change language or turn off the inside rearview mirror screen : To change the language of warning text (3)" on page 3-161.
- Under certain circumstances, it may become difficult to see an image on the screen, even when the system is functioning correctly.
 - In a dark area, such as at night.
 - When water drops or condensation are on the lens.
 - When sun light or headlights shine directly into the lens.

Change language or turn off the inside rearview mirror screen

N00568900037

It is possible to turn off the screen of the inside rearview mirror and change the language of the warning messages on the screen.



To temporarily set the non-display mode

If you press the switch (1) while the image appears on the screen, it goes off temporarily.

To return to display mode, press the switch again or turn the ignition switch to the "ON" position after turning to "LOCK" or "ACC" position.

Features and controls

To permanently set the non-display mode

1. Turn the ignition switch to the “ON” position.

⚠ CAUTION

- For safety reasons, do not perform the following operations with the engine running.

2. Put the selector lever in the “R” (REVERSE) position.
3. Press and hold down the switch (1) (for about 15 seconds).
While you keep the switch pressed, the orange indicator (2) comes on. When the image goes off, the non-display mode setting is completed.

3

To change the language of warning text (3)

1. Turn the ignition switch to the “ON” position.

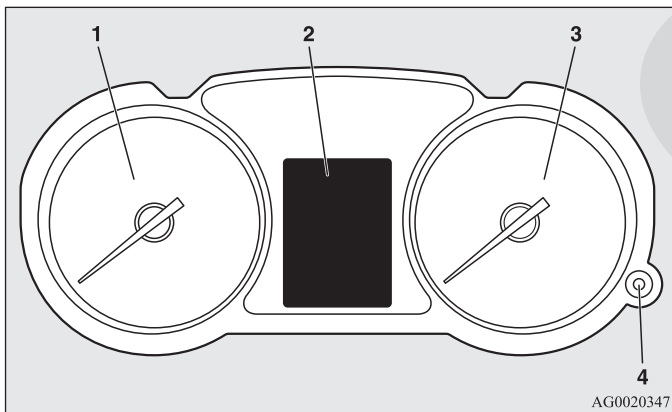
⚠ CAUTION

- For safety reasons, do not perform the following operations with the engine running.

2. Put the selector lever in the “R” (REVERSE) position.
3. Press and hold down the switch (1) to enter language selection mode (for 6 to 11 seconds).
In this mode, the image appears and the green indicator (2) comes on.
4. Press the switch until the desired language appears on the display.
Each time you press the switch, the language will change to the next one. When the warning text flashes, setting is completed.

Instrument cluster

N00519000359

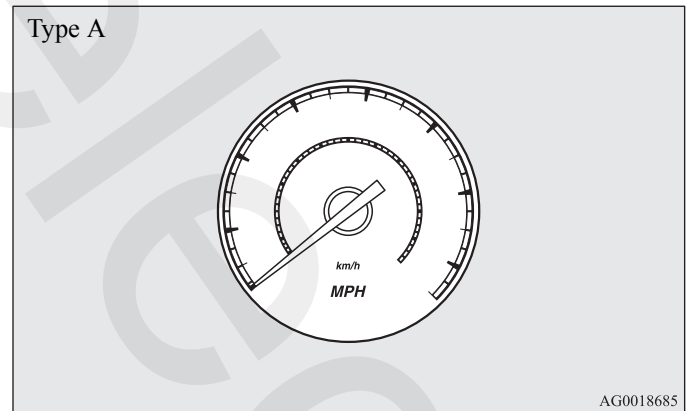


- 1- Tachometer → P.3-164
- 2- Multi-information display → P.3-166
Information screen display list → P.3-199
- 3- Speedometer → P.3-163
- 4- Rheostat meter illumination button → P.3-165

Speedometer

N00519100217

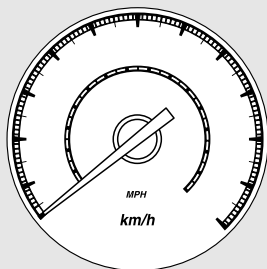
The speedometer shows the vehicle speed in miles per hour (mph) or kilometers per hour (km/h).



AG0018685

Features and controls

Type B



AA0100591

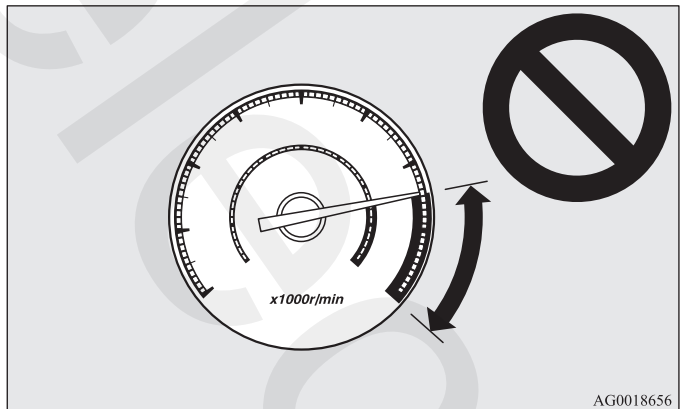
3

Tachometer

N00519200250

The tachometer shows engine revolutions per minute. This allows the driver to determine the most efficient selector position and engine speed combinations.

This gauge also assists in evaluating engine performance.



AG0018656

⚠ CAUTION

- The red zone indicates an engine speed beyond the range of safe operation.

Select the correct selector position to control the engine speed so that the tachometer indicator does not enter the red zone

Features and controls

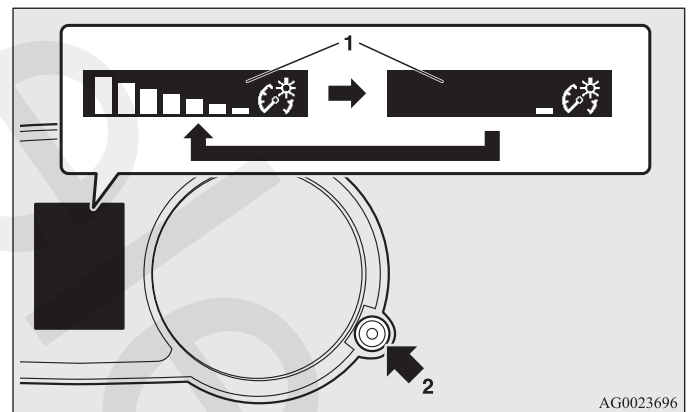
Rheostat meter illumination button

N00554900153

Each time you press this button, there is a sound and the brightness of the instruments changes.

NOTE

- You can adjust to 8 different levels respectively for when the front side-marker and parking lights are illuminated and when they are not.
- If the vehicle is equipped with the automatic light control, when the light switch is in a position other than the “OFF” position, the meter illumination switches automatically to the adjusted brightness, depending on the brightness outside the vehicle.
- The brightness level of the instruments is stored when the ignition switch is turned off.
- If you press and hold the button for longer than about 1 second when the front side-marker and parking lights are illuminated, the brightness level changes to the maximum level. Pressing and holding the button for longer than about 1 second again returns the brightness level to the previous level.



- 1- Brightness display
- 2- Rheostat illumination button

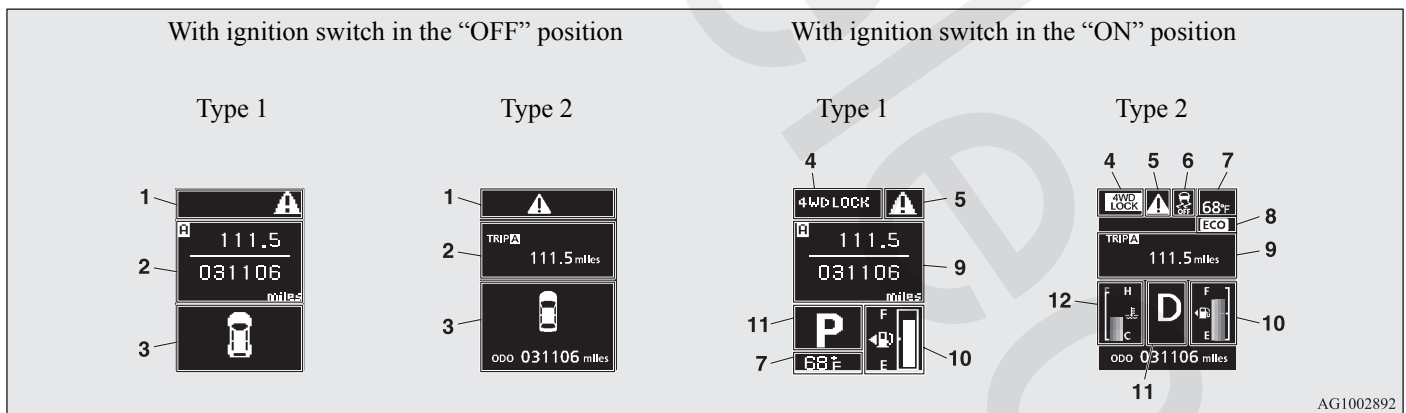
Features and controls

Multi-information display

N00555000223

The multi-information display displays warnings, the odometer, trip odometer, service reminder, engine coolant temperature, fuel remaining, outside temperature, selector lever position, all-wheel drive operation status, average and momentary fuel consumption, driving range, average speed, instrument brightness, etc.

It is also possible to change elements such as the language and units used on the multi-information display.



AG1002892

- 1- "!" Warning display screen (With ignition switch in the "OFF" position) → P.3-168
- 2- Information screen (With ignition switch in the "OFF" position) → P.3-168
Interrupt display screen (With ignition switch in the "OFF" position) → P.3-170
- 3- Door ajar warning display screen (With ignition switch in the "OFF" position) → P.3-172

- 4- Drive mode indicator display screen (if so equipped) → P.3-173
S-AWC control mode display screen (if so equipped) → P.3-173
- 5- "!" Warning display screen (With ignition switch in the "ON" position) → P.3-173
- 6- Active stability control (ASC) OFF display screen (if so equipped) → P.3-174
- 7- Outside temperature display screen → P.3-180
- 8- ECO mode indicator (if so equipped) → P.3-181

- 9- Information screen (With ignition switch in the “ON” position) → P.3-174
Interrupt display screen (With ignition switch in the “ON” position) → P.3-178
- 10- Fuel remaining display screen → P.3-180
- 11- Selector lever position display screen → P.3-179
- 12- Engine coolant temperature display (if so equipped) → P.3-174

NOTE

- The fuel units, temperature units, display language, and other settings can be changed.
Refer to “Changing the function settings (With ignition switch in the “ON” position)” on page 3-184.
- The display screen is different depending on whether the ignition switch in the “OFF” or “ON” position.
Refer to “Information screen (With ignition switch in the “OFF” position)” on page 3-168.
Refer to “Warning display list (With ignition switch in the “OFF” position)” on page 3-200.
Refer to “Information screen (With ignition switch turned from “OFF” to “ON”)” on page 3-172.
Refer to “Information screen (With ignition switch in the “ON” position)” on page 3-174.
Refer to “Warning display list (With ignition switch in the “ON” position)” on page 3-203.

Multi-information meter switch

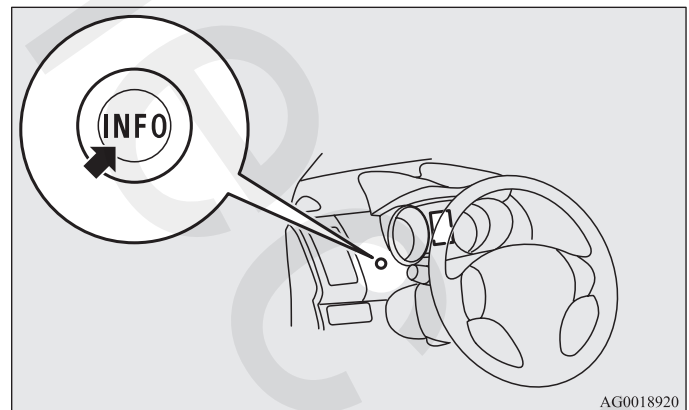
N00555100152

The multi-information meter switch is a button marked “INFO” on the left side of the dash.

Features and controls

Each time the multi-information meter switch is operated, a sound is emitted and the multi-information display changes between information such as warnings, odometer (Type1), trip odometer, service reminder, engine coolant temperature (Type 1), average and momentary fuel consumption, driving range, and average speed.

It is also possible to change elements such as the language and units used on the multi-information display by operating the multi-information meter switch.



AG0018920

Features and controls

“!” Warning display screen (With ignition switch in the “OFF” position)

N0055200166

If you press the multi-information meter switch and return from the warning display screen to the previous screen, the “!” warning is displayed.

Refer to “Returning to the display screen from before the warning display” on page 3-170.

This mark is also displayed if there is another warning other than the one displayed. When the cause of the warning display is eliminated, the “!” warning goes out automatically.

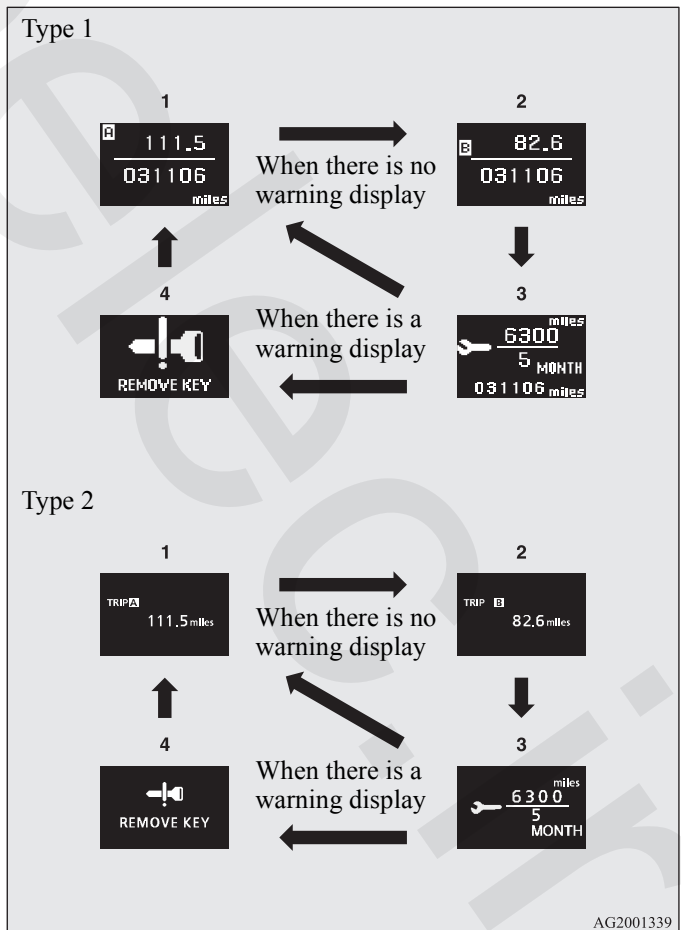
NOTE

- 3 ● When the “!” warning is displayed, the warning display screen can be redisplayed on the information screen. Refer to “Information screen (With ignition switch in the “OFF” position)” on page 3-168. Refer to “Information screen (With ignition switch in the “ON” position)” on page 3-174.

Information screen (With ignition switch in the “OFF” position)

N0055300138

Each time you lightly press the multi-information meter switch, the display screen switches in the following order.



Features and controls

- 1- Odometer (Type1)/Trip odometer **[A]**
- 2- Odometer (Type1)/Trip odometer **[B]**
- 3- Service reminder
- 4- Redisplay of a warning display screen

Odometer/Trip odometer

N00555400126

Each time you lightly press the multi-information meter switch, the display screen switches.

Odometer/Trip odometer **[A]** → Odometer/Trip odometer **[B]**
 → Service reminder → Redisplay of a warning display screen
 → Odometer/Trip odometer **[A]**.

Odometer

Shows the total distance traveled.

Trip odometer

Shows the distance traveled between two points.

Usage examples for trip odometer **[A]**, trip odometer **[B]**

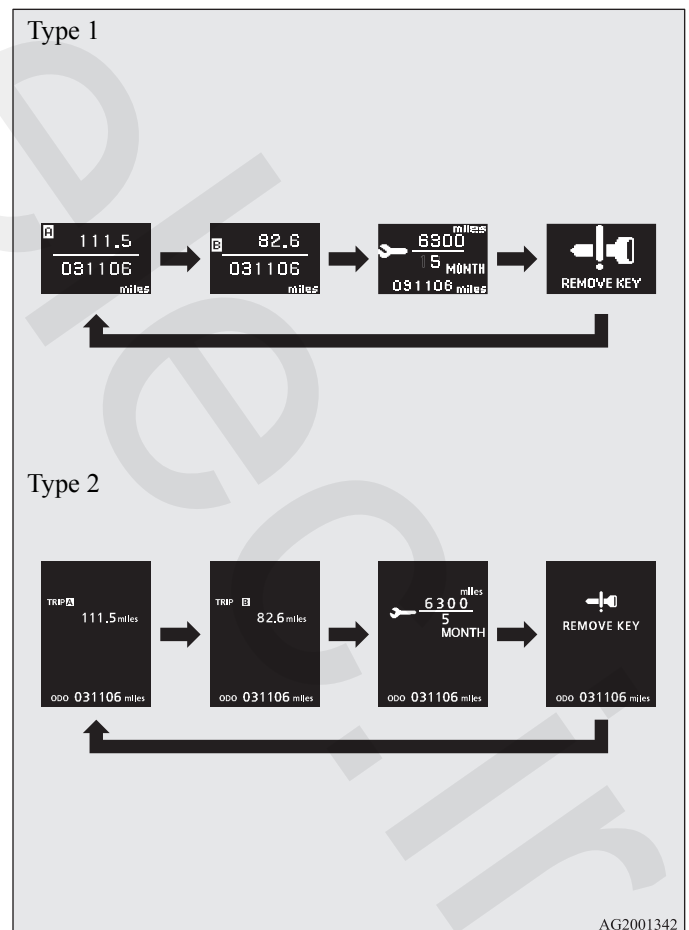
It is possible to measure two currently traveled distances, from home using trip odometer **[A]** and from a particular point on the way using trip odometer **[B]**.

To reset the trip odometer

To return the display to 0, hold down the multi-information meter switch for about 2 seconds or more. Only the currently displayed value will be reset.

Example

If trip odometer **[A]** is displayed, only trip odometer **[A]** will be reset.



Features and controls

NOTE

- If there is no warning display, the switching sequence is: odometer/trip odometer **A** → odometer/trip odometer **B** → service reminder → odometer/trip odometer **A**.
- Both trip odometers **A** and **B** can count up to 9999.9 miles/kilometers. When a trip odometer goes past 9999.9 miles/kilometers, it returns to 0.0 miles/kilometers.
- When disconnecting the battery terminal, the memories of trip odometer displays **A** and **B** are cleared, and their displays return to “0.0 miles/kilometers”.

3

Service reminder

N0055500013

Shows the distance and number of months until the next periodic inspection.
Refer to “Service reminder” on page 3-181.

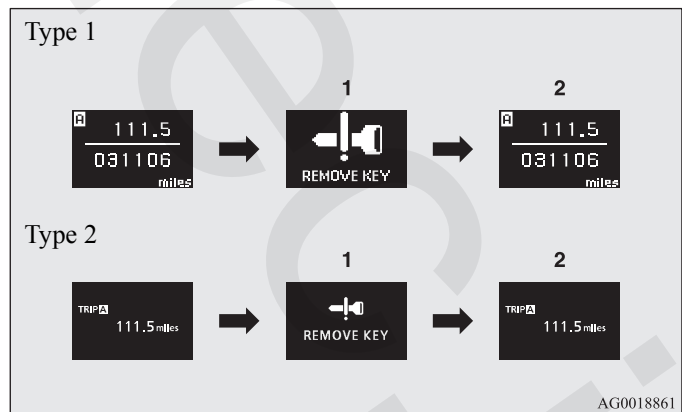
Interrupt display screen (With ignition switch in the “OFF” position)

N00559600197

When there is information to be announced, such as a key reminder, the buzzer sounds and switches to the warning display screen. Refer to the appropriate page and take the necessary measures.

When the cause of the warning display is eliminated, the warning display goes out automatically.

Refer to “Warning display list (With ignition switch in the “OFF” position)” on page 3-200.



AG0018861

- 1- Information generated
- 2- Cause eliminated

Returning to the display screen from before the warning display

Even if the cause of the warning display is not eliminated, you can return to the screen that was displayed before the warning display.

If you press the multi-information meter switch, the display screen switches to the previous screen display (before the warning and the “!” warning (A) were displayed).

NOTE

- Warning display screens with a “!” or “!” mark displayed in the upper right of the screen can be switched. If you want to switch the display, press the multi-information meter switch as follows.

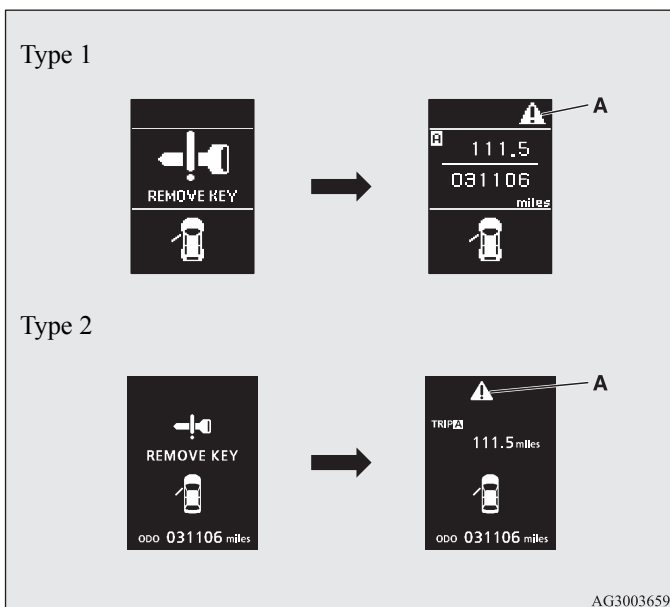
“!”: Press lightly.

“!”: Press for about 2 seconds or more.

Redisplay of a warning display screen

When the “!” warning is displayed, if you lightly press the multi-information meter switch a few times, the warning display screen you switched from is redisplayed.

Refer to “Information screen (With ignition switch in the “OFF” position)” on page 3-168.

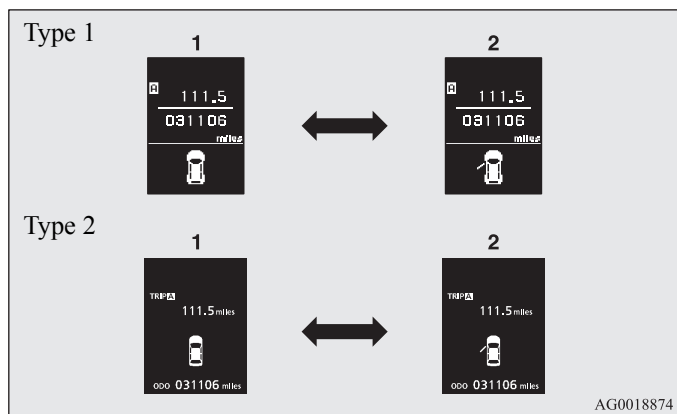


Features and controls

Door ajar warning display screen (With ignition switch in the “OFF” position)

N00559700127

If any of the doors or the tailgate is not completely closed, this displays the open door or tailgate.



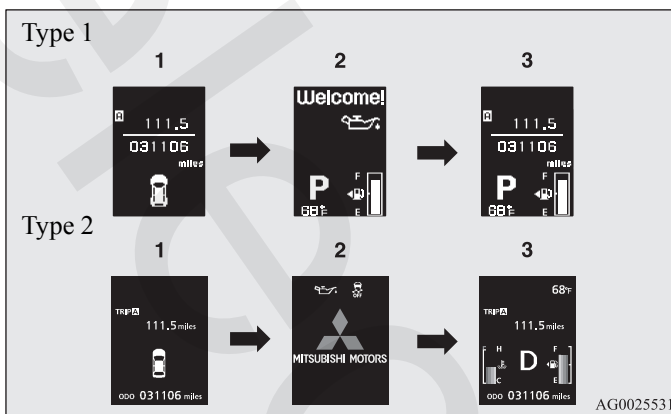
AG0018874

- 1- Doors and tailgate are closed
- 2- Doors or tailgate is open

Information screen (With ignition switch turned from “OFF” to “ON”)

N00555800159

When the ignition switch is turned to the “ON” position, the display screen switches in the following order.

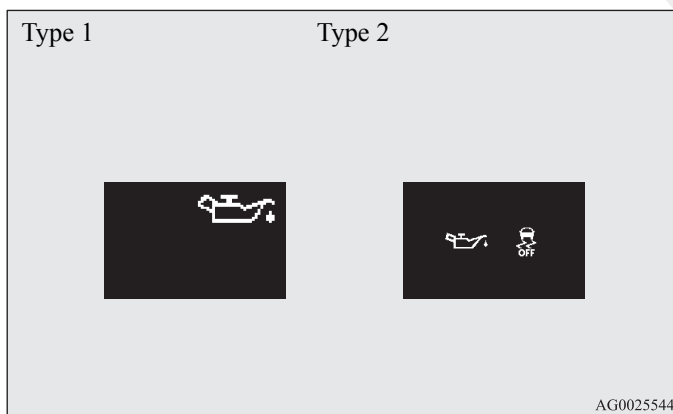


AG0025531

- 1- Screen when the ignition switch is “OFF”
- 2- System check screen
- 3- Screen when the ignition switch is “ON”

System check screen

When the ignition switch is turned to the “ON” position, the system check screen is displayed for about 4 seconds. If there is no fault, the information screen is displayed. If there is a fault, the screen changes to warning display. Refer to “Warning display list (With ignition switch in the “ON” position)” on page 3-203.



NOTE

- The system check screen display varies depending on your equipment.

Service reminder

When the time for periodic inspection arrives, the warning display is displayed for a few seconds after the screen that is initially displayed when the ignition switch is turned “ON”. Refer to “Service reminder” on page 3-181.

Type 1



Type 2



Drive mode indicator display screen (if so equipped)

N0055900033

Shows the 4WD drive status. Refer to “Drive mode-selector” on page 3-115.

S-AWC control mode display screen (if so equipped)

N0056190025

Shows the S-AWC operation status. Refer to “S-AWC control mode-selector” on page 3-119.

“!” Warning display screen (With ignition switch in the “ON” position)

N0055520081

This is displayed when you press the multi-information meter switch and switch the warning display screen.

Features and controls

This mark is also displayed if there is another warning other than the one displayed.
 When the cause of the warning display is eliminated, the “!” warning goes out automatically.

NOTE

- When the “!” warning is displayed, the warning display screen can be redisplayed on the information screen.
 Refer to “Information screen (With ignition switch in the “OFF” position)” on page 3-168.
 Refer to “Information screen (With ignition switch in the “ON” position)” on page 3-174.

3 “Active stability control (ASC) OFF” display screen (if so equipped)

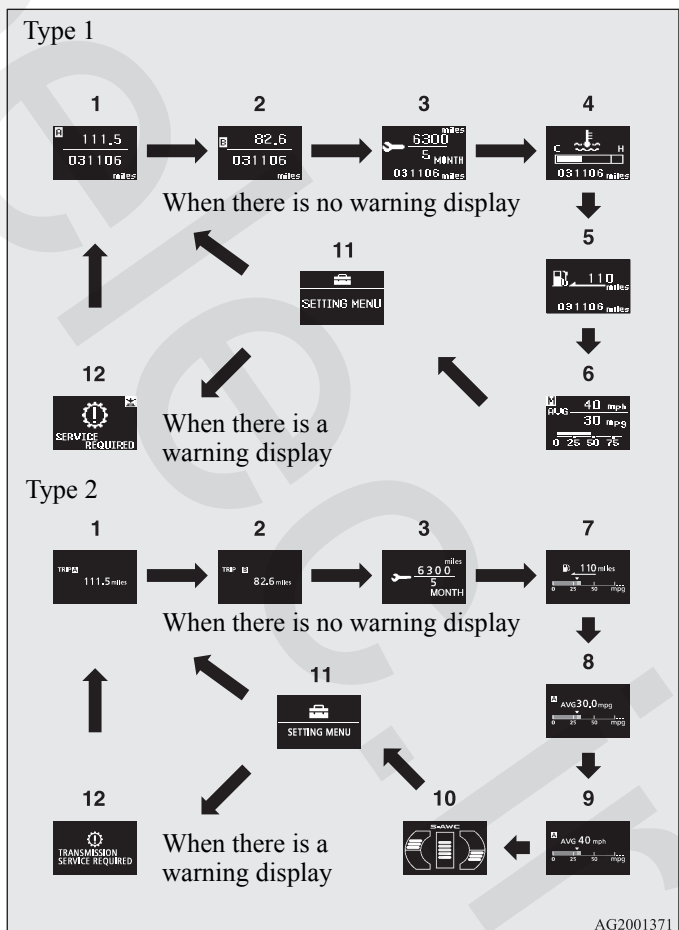
N00556100090

This is displayed when the Active stability control (ASC) is turned “OFF” with the “ASC OFF” switch.
 Also, if an abnormal condition is occurred in the ASC while driving, the “ASC OFF” display illuminates.
 Refer to “ASC OFF switch” on page 3-140.

Information screen (With ignition switch in the “ON” position)

N00556200192

Each time you lightly press the multi-information meter switch, the display screen switches in the following order.



Features and controls

- 1- Odometer (Type1)/Trip odometer **A**
- 2- Odometer (Type1)/Trip odometer **B**
- 3- Service reminder
- 4- Engine coolant temperature display (Type 1)
- 5- Driving range display (Type 1)
- 6- Average speed display, average fuel consumption display, momentary fuel consumption display (Type 1)
- 7- Driving range display, momentary fuel consumption display (Type 2)
- 8- Average fuel consumption display, momentary fuel consumption display (Type 2)
- 9- Average speed display, momentary fuel consumption display (Type 2)
- 10- S-AWC operation display (Type 2 if so equipped) → P.3-121
- 11- Function setting screen
- 12- Redisplay of a warning display screen

NOTE

- While driving, the function setting screen is not displayed even if you operate the multi-information meter switch. Always park the vehicle in a safe place before operating. Refer to “Changing the function settings (With ignition switch in the “ON” position)” on page 3-184.
- When there is information to be announced, such as a system fault, the tone sounds and the screen display is switched. Refer to “Interrupt display screen (With ignition switch in the “ON” position)” on page 3-178.

Odometer/Trip odometer

The operation method is the same as when the ignition switch is in the “OFF” position.

For further details, refer to “Odometer/Trip odometer” on page 3-169.

Service reminder

Shows the distance and number of months until the next periodic inspection.

Refer to “Service reminder” on page 3-181.


Engine coolant temperature display

Shows the engine coolant temperature.

If the coolant becomes hot, “” will blink.

Pay careful attention to the engine coolant temperature display while you are driving.

CAUTION

- If the engine is overheating, “” will blink. In this case, the bar graph is on the red zone. Immediately park the vehicle in a safe place and take the required measures. Refer to “Engine overheating” on page 6-5.

Features and controls

Driving range display

Shows the approximate driving range (how many more miles or kilometers you can drive). When this driving range falls below 30 miles (50 km), “---” is displayed.

Refuel as soon as possible.

NOTE

- The driving range is determined based on the fuel consumption data. This may vary depending on the driving conditions and habits. Treat the distance displayed as just a rough guideline.
- When you refuel, the driving range display is updated. However, if you only add a small amount of fuel, the correct value will not be displayed. Fill to a full tank whenever possible.
- When your vehicle is stopped on an extremely steep hill, the driving range value may change. This is due to the movement of fuel in the tank and does not indicate any breakdown.
- The display setting can be changed to the preferred units (miles or km).
Refer to “Changing the function settings (With ignition switch in the “ON” position)” on page 3-184.

Average speed display

This displays the average speed from the last reset to the present.

There are 2 types of mode settings as follows.

For details on how to change the average speed display setting, refer to “Changing the function settings (With ignition switch in the “ON” position)” on page 3-184.

Manual reset mode

- When the average speed is being displayed, if you hold down the multi-information meter switch, these calculations will be reset to zero.
- When the ignition switch is turned to the “ON” position from the “ACC” or “LOCK” position, the mode setting changes automatically from manual to auto.

Auto reset mode

- When the average speed is being displayed, if you hold down the multi-information meter switch, these calculations will be reset to zero.
- When the ignition switch has been set to the “ACC” or “LOCK” position for about 4 hours or more, the average speed display will automatically reset.

NOTE


- The average speed display and the average fuel consumption display can be reset separately in both auto reset mode and manual reset mode.
- “---” is displayed when the average speed cannot be measured.
- The initial (default) setting is “Auto reset mode”.
- The display setting can be changed to the preferred units (mph or km/h).
Refer to “Changing the function settings (With ignition switch in the “ON” position)” on page 3-184.
- Disconnecting the battery cable will erase from memory the manual reset mode or auto reset mode setting for the average speed display.

Average fuel consumption display

This displays the average fuel consumption from the last reset to the present.

There are 2 types of mode settings as follows.

For details on how to change the average fuel consumption display setting, refer to “Changing the function settings (With ignition switch in the “ON” position)” on page 3-184.

The “” mark in the momentary fuel gauge shows the average fuel consumption. (Type 2)

Manual reset mode

- When the average fuel consumption is being displayed, if you hold down the multi-information meter switch, these calculations will be reset to zero.
- When the ignition switch is turned to the “ON” position from the “ACC” or “LOCK” position, the mode setting changes automatically from manual to auto.

Auto reset mode

- When the average fuel consumption is being displayed, if you hold down the multi-information meter switch, these calculations will be reset to zero.
- When the ignition switch has been set to the “ACC” or “LOCK” position for about 4 hours or more, the average fuel consumption display will automatically reset.

NOTE

- The average speed display and the average fuel consumption display can be reset separately in both auto reset mode and manual reset mode.
- “---” is displayed when the average fuel consumption cannot be measured.
- The initial (default) setting is “Auto reset mode”.

- Average fuel consumption may vary depend on the driving conditions (road conditions, how you drive, etc.) The actual fuel consumption may differ from the fuel consumption displayed, so treat the fuel consumption displayed as just a rough guideline.
- Disconnecting the battery cable will erase from memory the manual reset mode or auto reset mode setting for the average fuel consumption display.
- The display setting can be changed to the preferred units {mpg(US), mpg(UK), L/100km or km/L}. Refer to “Changing the function settings (With ignition switch in the “ON” position)” on page 3-184.

Momentary fuel consumption display

While driving, the momentary fuel consumption is shown with a bar graph.

When the momentary fuel consumption surpasses the average fuel consumption, the momentary fuel consumption is displayed with a green bar graph. (Type 2)

Be conscious of maintaining the momentary fuel consumption above the average fuel consumption, it can help you drive with the better fuel consumption.

Features and controls

NOTE

- When the momentary fuel consumption cannot be measured, a bar graph is not shown.
- The display setting can be changed to the preferred units {mpg(US), mpg(UK), L/100km or km/L}. Refer to “Changing the function settings (With ignition switch in the “ON” position)” on page 3-184.
- It is possible to cancel the green bar graph. Refer to “Changing the function settings (With ignition switch in the “ON” position)” on page 3-184.

Function setting screen

The “Display language”, “Temperature unit”, “Fuel consumption unit”, and “Average fuel consumption and speed reset method” settings can be modified as desired.

For further details, refer to “Changing the function settings (With ignition switch in the “ON” position)” on page 3-184.

Interrupt display screen (With ignition switch in the “ON” position)

N00556300151

Warning display

When there is information to be announced, such as a system fault, a tone sounds and the information screen is switched to the warning display screen.

Refer to the warning list and take the necessary measures. Refer to “Warning display list (With ignition switch in the “ON” position)” on page 3-203.

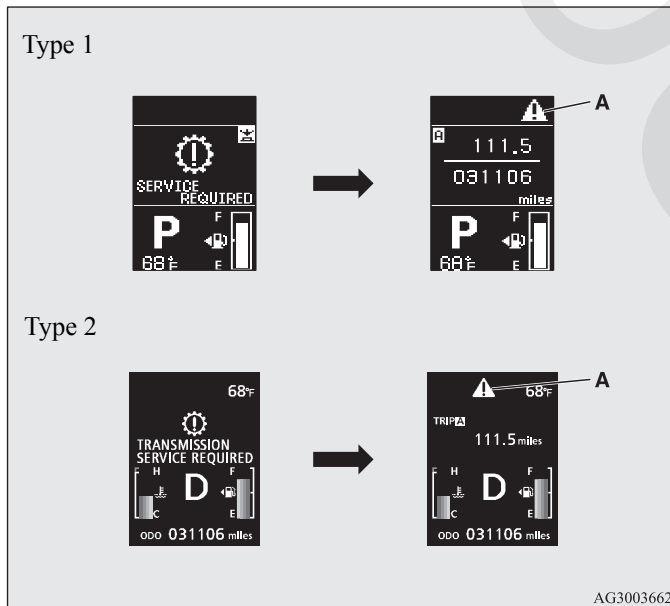
When the cause of the warning display is eliminated, the warning display goes out automatically.

Returning to the display screen from before the warning display

Even if the cause of the warning display is not eliminated, you can return to the screen that was displayed before the warning display.

If you press the multi-information meter switch, the display screen switches to the previous screen display (before the warning and the “!” warning (A) were displayed).

Features and controls



Redisplay of a warning display screen

When the “!” warning is displayed, if you lightly press the multi-information meter switch a few times, the warning display screen you switched from is redisplayed.

Other interrupt displays

The operation status of each system is displayed on the information screen.

For further details, refer to the appropriate page in the warning display list.

Refer to “Other interrupt displays (With ignition switch in the “ON” position)” on page 3-209.

Selector lever position display screen

Shows the position of the selector lever.

Refer to “Selector lever operation” on page 3-95.

N00556400019

NOTE

- Warning display screens with a “!” or “!” mark displayed in the upper right of the screen can be switched. If you want to switch the display, press the multi-information meter switch as follows.

“!”: Press lightly.

“!”: Press for about 2 seconds or more.

Features and controls

Outside temperature display screen

Shows the temperature outside the vehicle.

N00556500078

NOTE

- The display setting can be changed to the preferred units (°F or °C). Refer to “Changing the function settings (With ignition switch in the “ON” position)” on page 3-184.
- Depending on factors such as the driving conditions, the displayed temperature may vary from the actual outside temperature.

CAUTION

- **Running out of gas could damage the catalytic converter. If the warning display appears, refuel as soon as possible.**

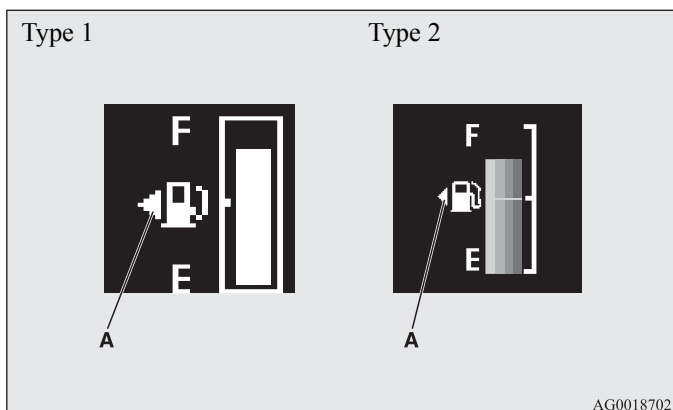
NOTE

- It may take several seconds to stabilize the display after refilling the tank.
- If fuel is added with the ignition switch in the “ON” position, the remaining fuel display may incorrectly indicate the fuel level.

3 Fuel remaining display screen

Shows the amount of fuel remaining.

N00556600167



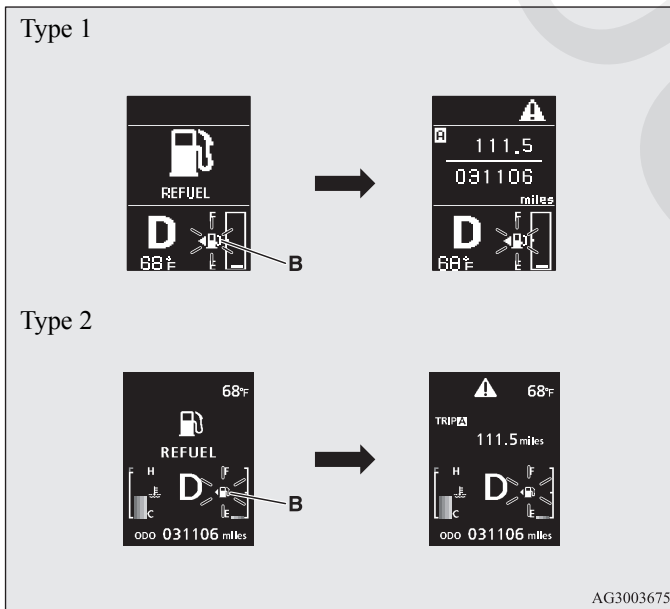
Fuel tank filler door mark

The arrow (A) indicates that the fuel tank filler door is located on the left side of the vehicle. (Refer to “Filling the fuel tank” on page 1-4)

Fuel remaining warning display

When the fuel level runs low, the information screen switches to the interrupt display of the fuel remaining warning display and the mark (B) on the fuel remaining display flashes. If the warning display appears, refuel as soon as possible.

Features and controls



Service reminder

N00556700184

Displays the approximate time until the next recommended periodic inspection. “---” is displayed when the inspection time has arrived.

NOTE

- The service reminder time can be modified by an authorized Mitsubishi Motors dealer, to adjust for severe usage, etc. Refer to “Severe maintenance schedule” in your vehicle’s Warranty and Maintenance Manual. For further information, please contact your authorized Mitsubishi Motors dealer.

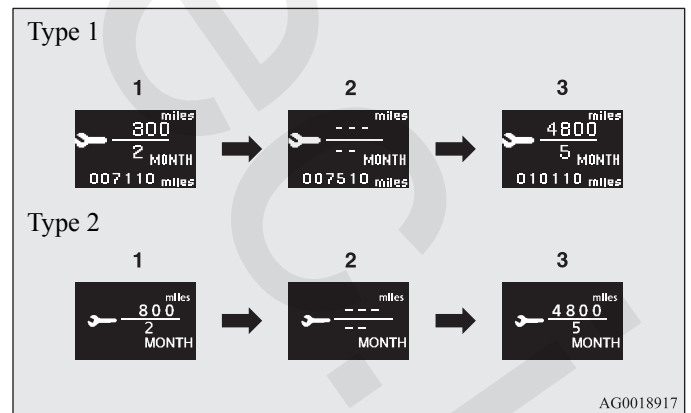
NOTE

- On hills or curves, the display may be incorrect due to the movement of fuel in the tank.

ECO mode indicator (if so equipped)

N00568700022

This indicator will be displayed when fuel-efficient driving is achieved.



1. Shows the time until the next periodic inspection.

NOTE

- Shows the distance in units of 100 miles (100 km) and the time in units of 1 month.

Features and controls

- This informs you that a periodic inspection is due. Contact an authorized Mitsubishi Motors dealer or a repair facility of your choice to have the system checked.

At that time, when the ignition switch is switched from the “OFF” position to the “ON” position, the warning display is displayed for a few seconds on the information screen.

Type 1



Type 2

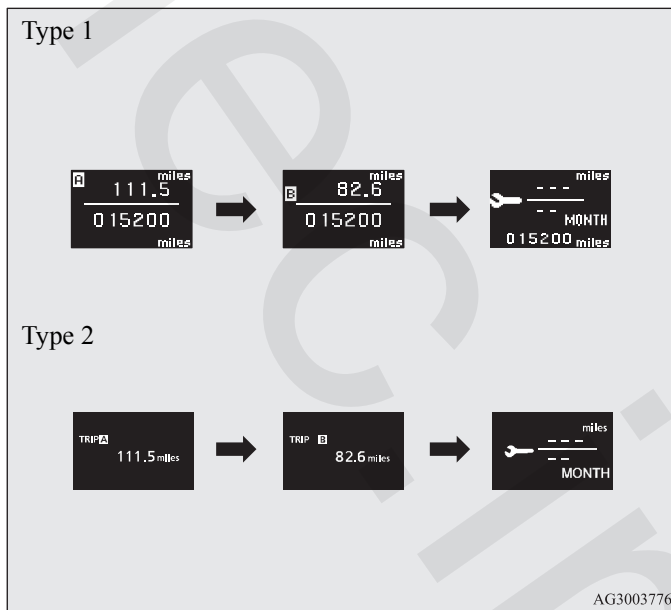


- After your vehicle is inspected at an authorized Mitsubishi Motors dealer, it displays the time until the next periodic inspection.

To reset

The “---” display can be reset while the ignition switch is in the “OFF” position. When the display is reset, the time until the next periodic inspection is displayed and the warning display is no longer displayed when the ignition switch is switched from the “OFF” position to the “ON” position.

- When you lightly press the multi-information meter switch, the information screen switches to the service reminder display screen.



AG3003776

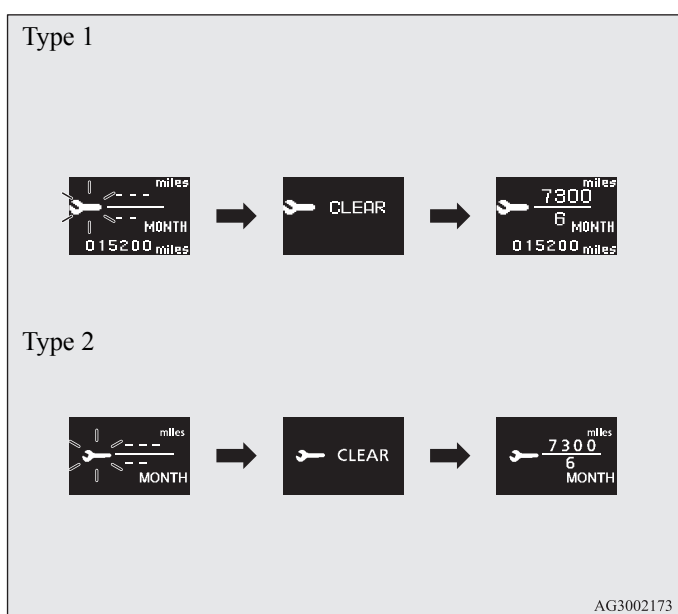
Features and controls

- Press and hold the multi-information meter switch (for about 2 seconds or more) to display “---” and make it flash. (If there is no operation for about 10 seconds with this indicator flashing, the display returns to the previous screen.)
- With this indicator flashing, if you lightly press the multi-information meter switch, the screen switches from “---” to “CLEAR”. After that, the time until the next periodic inspection is shown.

⚠ CAUTION

- The customer is responsible for making sure that regular inspections and maintenance and periodic inspections and maintenance are performed. Inspections and maintenance must be performed to prevent accidents and malfunctions.

- NOTE
- The “---” display cannot be reset while the ignition switch is in the “ON” position.
 - When “---” is displayed, after a certain distance and a certain period of time, the display is reset and the time until the next periodic inspection is displayed.
 - If you accidentally reset the display, consult an authorized Mitsubishi Motors dealer for assistance.



AG3002173

Features and controls

Door ajar warning display screen (With ignition switch in the “ON” position)

N0055700129

Type 1



Type 2



3

If any of the doors or the tailgate is not completely closed, this displays the open door or tailgate.

If the speed increases to about 5 mph (8 km/h) or higher with a door ajar, a tone will sound 4 times to inform you that a door is ajar.

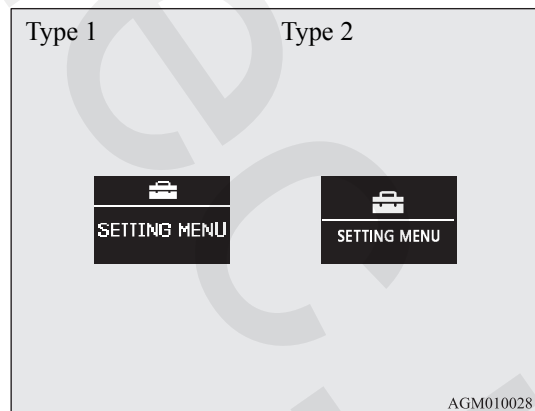
CAUTION

- Always make sure that the warning display goes out before beginning to drive.

Changing the function settings (With ignition switch in the “ON” position)

N00556800101

1. Park your vehicle in a safe place. Fully apply the parking brake and move the selector lever into the “P” (PARK) position.
2. When you lightly press the multi-information meter switch, the information screen switches to the function setting screen. Refer to “Information screen (With ignition switch in the “ON” position)” on page 3-174.



AGM010028

⚠ CAUTION

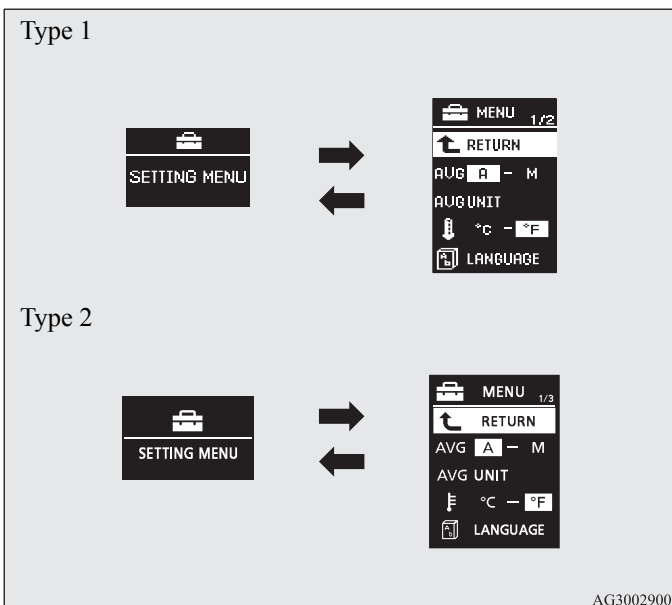
- For safety, stop the vehicle before operating. While driving, even if you operate the multi-information meter switch, the function setting screen is not displayed.

3. Press and hold the multi-information meter switch (for about 2 seconds or more) to switch from the setting mode screen to the menu screen.

NOTE

- To return the menu screen to the function setting screen, press and hold the multi-information meter switch (for about 2 seconds or more).
- If no operations are made within about 15 seconds of the menu screen being displayed, the display returns to the function setting screen.

4. Select the item to change on the menu screen and change to the desired setting. For further details on the operation methods, refer to the following sections .



Refer to “Changing the reset mode for average fuel consumption and average speed” on page 3-186.
 Refer to “Changing the fuel consumption display unit” on page 3-187.
 Refer to “Changing the temperature unit” on page 3-189.
 Refer to “Changing the display language” on page 3-190.
 Refer to “Changing the language on Mitsubishi Multi-Communication System or Bluetooth® 2.0 interface to match the multi-information display (if so equipped)” on page 3-191.
 Refer to “Operation sound setting” on page 3-192.
 Refer to “Changing the time until “REST REMINDER” is displayed” on page 3-193.
 Refer to “Changing the turn signal sound” on page 3-194.
 Refer to “Changing the momentary fuel consumption display (Type 2)” on page 3-195.
 Refer to “Returning to the factory settings” on page 3-196.

Features and controls

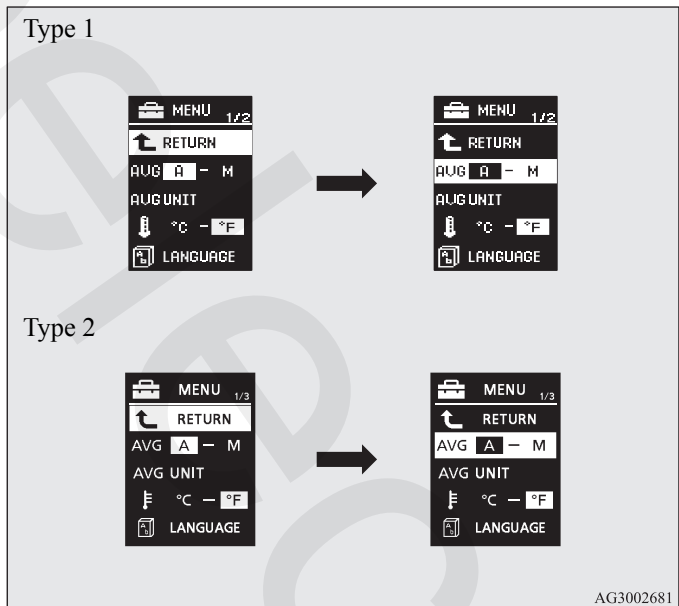
Changing the reset mode for average fuel consumption and average speed

N00557000171

You can change the mode condition for the average fuel consumption and average speed display to “Auto reset” or “Manual reset.”

1. Press and hold the multi-information meter switch (for about 2 seconds or more) to switch from the setting mode screen to the menu screen.
Refer to “Changing the function settings (With ignition switch in the “ON” position)” on page 3-184.
2. Lightly press the multi-information meter switch to select “AVG” (average fuel consumption and average speed setting).

3



3. Press and hold the multi-information meter switch (for about 2 seconds or more) to switch in sequence from A or 1 (Auto reset) → M, 2 or P (Manual reset) → A or 1 (Auto reset).
The setting is changed to the selected reset condition.

Features and controls

Manual reset mode

- If you press and hold the multi-information meter switch when the average fuel consumption and average speed are displayed, these calculations will be reset to zero.
- When the ignition switch is turned to the “ON” position from the “ACC” or “LOCK” position, the mode setting changes automatically from manual to auto.

Auto reset mode

- When the average fuel consumption and average speed are being displayed, if you hold down the multi-information meter switch, these calculations will be reset to zero.
- When the ignition switch has been set to the “ACC” or “LOCK” position for about 4 hours or more, the average fuel consumption display and the average speed display will automatically reset.

NOTE

- Disconnecting the battery cable will erase from memory the manual reset mode or auto reset mode setting for the average speed display and average fuel consumption display.
- The initial (default) setting is “Auto reset mode”.

Changing the fuel consumption display unit

N00557100127

The fuel consumption display unit can be changed. The distance, speed, and amount units are also changed to match the selected fuel consumption unit.

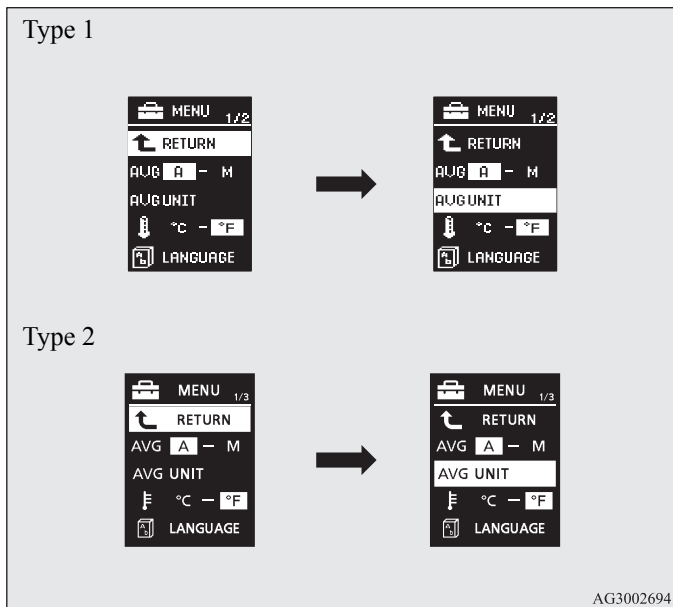
1. Press and hold the multi-information meter switch (for about 2 seconds or more) to change from the setting mode screen to the menu screen.

Refer to “Changing the function settings (With ignition switch in the “ON” position)” on page 3-184.

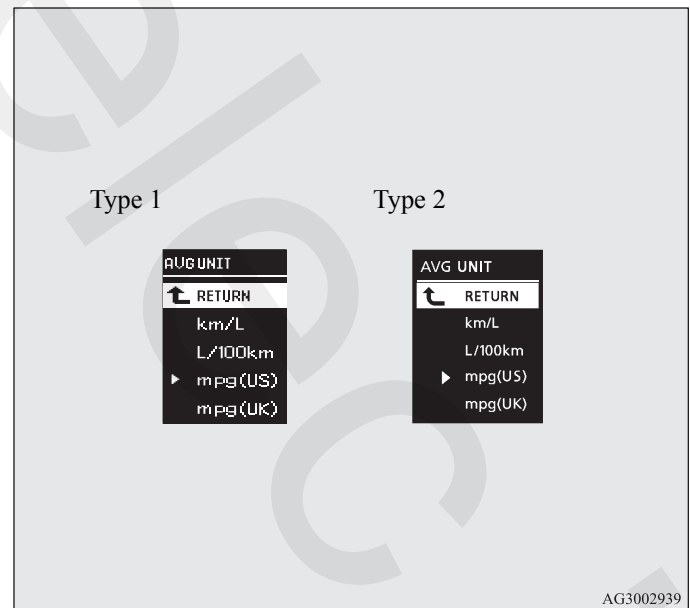
Features and controls

2. Lightly press the multi-information meter switch to select “AVG UNIT” (fuel consumption display unit setting).

4. Lightly press the multi-information meter switch to switch in sequence from km/L → L/100 km → mpg (US) → mpg (UK) → RETURN → km/L.



3. Press and hold the multi-information meter switch (for about 2 seconds or more) to display “AVG UNIT” (fuel consumption display unit setting).



5. Press and hold the multi-information meter switch (for about 2 seconds or more) to change the setting to the selected unit.

NOTE

- The display units for the driving range, the average fuel consumption, the average speed and the momentary fuel consumption are changed, but the units for the indicating needle (speedometer), the odometer and the trip odometer will remain unchanged.
- If the battery is disconnected, the memory of the unit setting is erased and is automatically set to {mpg (US) or L/100 km}.


The distance and speed units are also changed in the following combinations to match the selected fuel consumption unit.

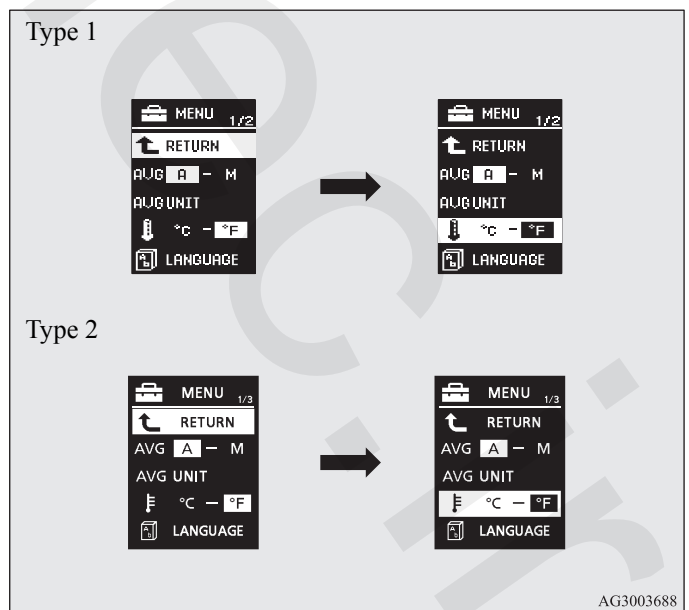
Fuel economy	Distance (driving range)	Speed (average speed)
mpg (US)	mile (s)	mph
mpg (UK)	mile (s)	mph
km / L	km	km / h
L / 100 km	km	km / h

Changing the temperature unit

N00557200128

The temperature display unit can be switched.

1. Press and hold the multi-information meter switch (for about 2 seconds or more) to switch from the setting mode screen to the menu screen.
Refer to “Changing the function settings (With ignition switch in the “ON” position)” on page 3-184.
2. Lightly press the multi-information meter switch to select “” (temperature unit setting).



AG3003688

Features and controls

- Press and hold the multi-information meter switch (for about 2 seconds or more) to change in sequence from °F → °C → °F.
The setting is changed to the selected temperature unit.

NOTE

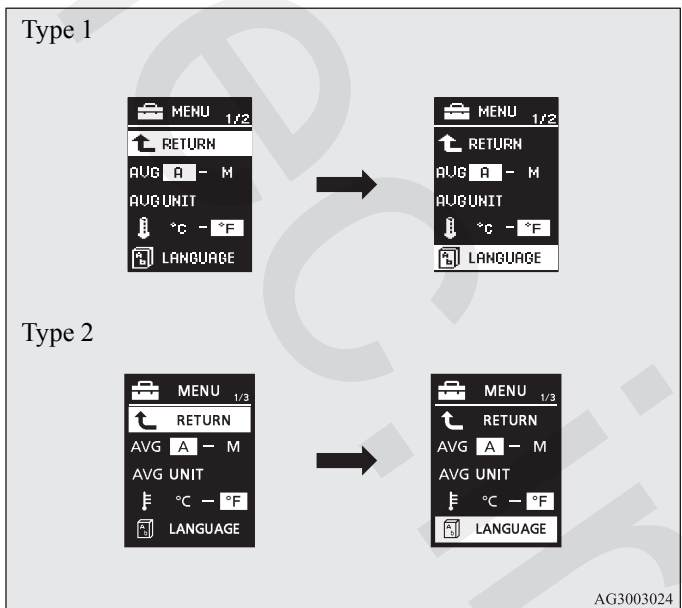
- If the battery is disconnected, the memory of the unit setting is erased and is automatically set to °F (°C).

Changing the display language

N00557300132

The language of the multi-information display can be changed.

- Press and hold the multi-information meter switch (for about 2 seconds or more) to change from the setting mode screen to the menu screen.
Refer to “Changing the function settings (With ignition switch in the “ON” position)” on page 3-184.
- Lightly press the multi-information meter switch to select “LANGUAGE” (language setting).



3. Press and hold the multi-information meter switch (for about 2 seconds or more) to display “LANGUAGE” (language setting).
4. Lightly press the multi-information meter switch to select the desired language.
5. Press and hold the multi-information meter switch (for about 2 seconds or more) to change the setting to the selected language.

NOTE

- If the battery is disconnected, the memory of the language setting is erased and is automatically set to ENGLISH.
- If “---” is selected in the language setting, a warning message is not displayed when there is a warning display or interrupt display.


Changing the language on Mitsubishi Multi-Communication System or Bluetooth® 2.0 interface to match the multi-information display (if so equipped)

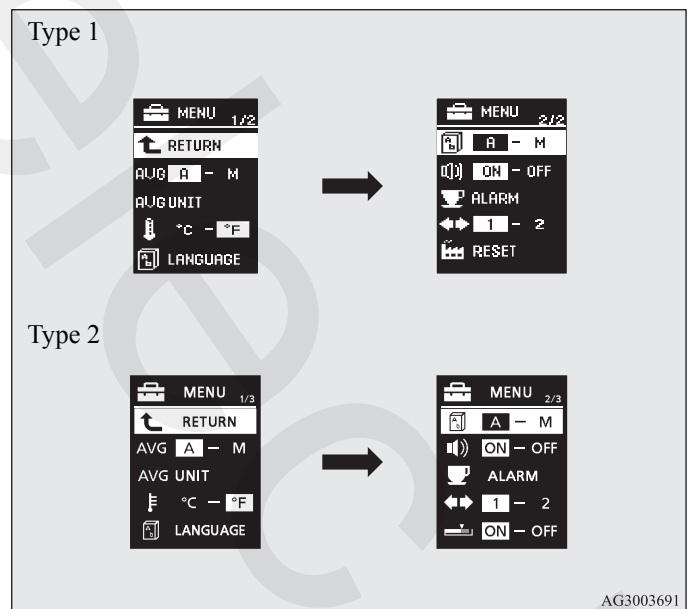
N00529800259

The language used in Mitsubishi Multi-Communication System (if so equipped) or Bluetooth® 2.0 interface (if so equipped) can be changed automatically to the same language as that shown in the multi-information display.

1. Press and hold the multi-information meter switch (for about 2 seconds or more) to switch from the setting mode screen to the menu screen. Refer to “Changing the function settings (With ignition switch in the “ON” position)” on page 3-184.

Features and controls

2. Lightly press the multi-information meter switch to select “” (language cooperative control).



3. Every time the multi-information meter switch is pressed for about 2 seconds or more, the setting will change as follows: A or 1 (language cooperation: enabled) → M, 2 or P (language cooperation: disabled) → A or 1 (language cooperation: enabled). The setting is changed to the selected condition.

Features and controls


NOTE

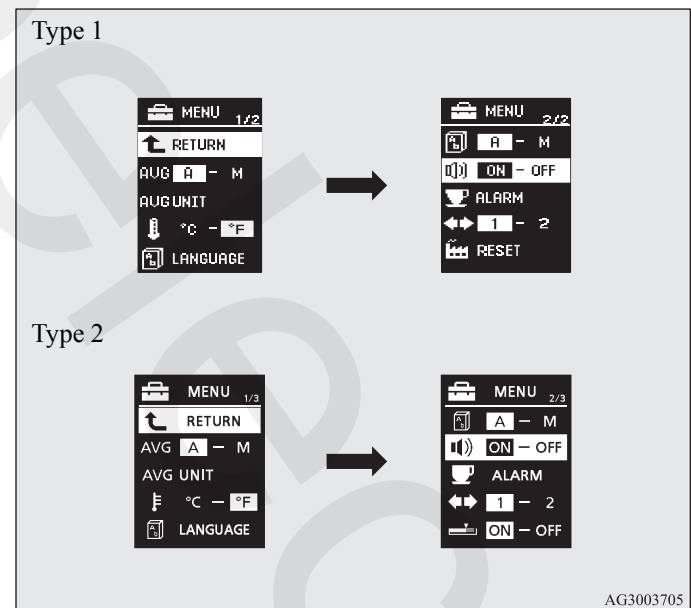
- If the battery is disconnected, the language cooperative control is automatically set to “A or 1” (language cooperation: enabled).
- The language cooperation setting can be switched in the following manner.
 - When “A or 1” (language cooperation: enabled) has been selected, the language for Mitsubishi Multi-Communication System (if so equipped) or Bluetooth® 2.0 interface (if so equipped) is automatically changed to the language selected for the multi-information display.
 - When “M, 2 or P” (language cooperation: disabled) has been selected, the language for Mitsubishi Multi-Communication System (if so equipped) or Bluetooth® 2.0 interface (if so equipped) is not automatically changed to match the language selected for the multi-information display.
- On vehicles equipped with the audio system, the language on the display of the audio system is not switched even if you select A or 1 of the language cooperation control.

Operation sound setting

N00557400146

You can turn off the operation sounds of the multi-information meter switch and rheostat meter illumination button.

1. Press and hold the multi-information meter switch (for about 2 seconds or more) to switch from the setting mode screen to the menu screen.
Refer to “Changing the function settings (With ignition switch in the “ON” position)” on page 3-184.
2. Lightly press the multi-information meter switch to select “” (operation sound setting).



3. Press and hold the multi-information meter switch (for about 2 seconds or more) to switch in sequence from ON (operation sound on) → OFF (operation sound off) → ON (operation sound on).
The setting is changed to the selected condition.

NOTE

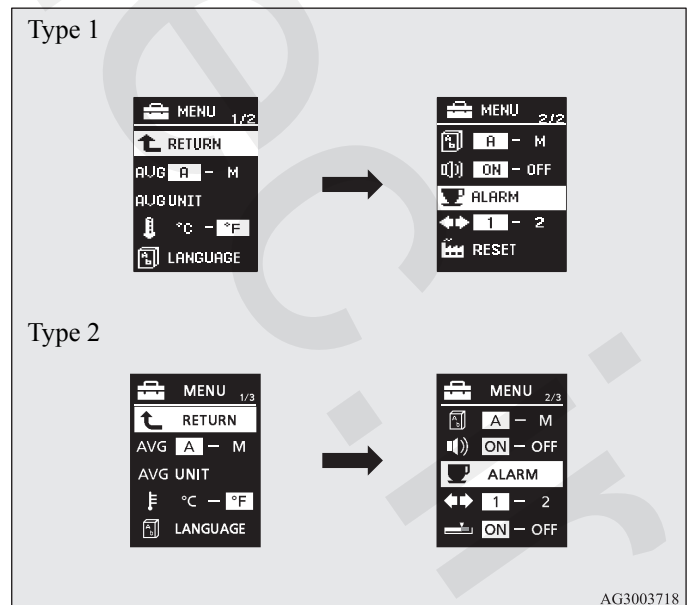
- If the battery is disconnected, the memory of the operation sound setting is erased and is automatically set to “ON” (operation sound on).
- The operation sound setting only deactivates the operation sound of the multi-information meter switch and rheostat meter illumination button. The warning display and other sounds cannot be deactivated.

Changing the time until “REST REMINDER” is displayed

N00557500147

The time until the display appears can be changed.

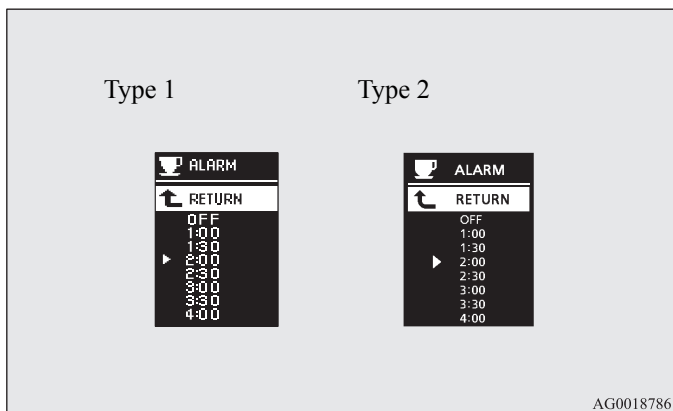
1. Press and hold the multi-information meter switch (for about 2 seconds or more) to switch from the setting mode screen to the menu screen.
Refer to “Changing the function settings (With ignition switch in the “ON” position)” on page 3-184.
2. Lightly press the multi-information meter switch to select “ALARM” (rest time setting).



AG3003718

Features and controls

- Press and hold the multi-information meter switch (for about 2 seconds or more) to display “ALARM” (rest time setting).



- Lightly press the multi-information meter switch to select the time until the display appears.
- Press and hold the multi-information meter switch (for about 2 seconds or more) to change the setting to the selected time.

NOTE

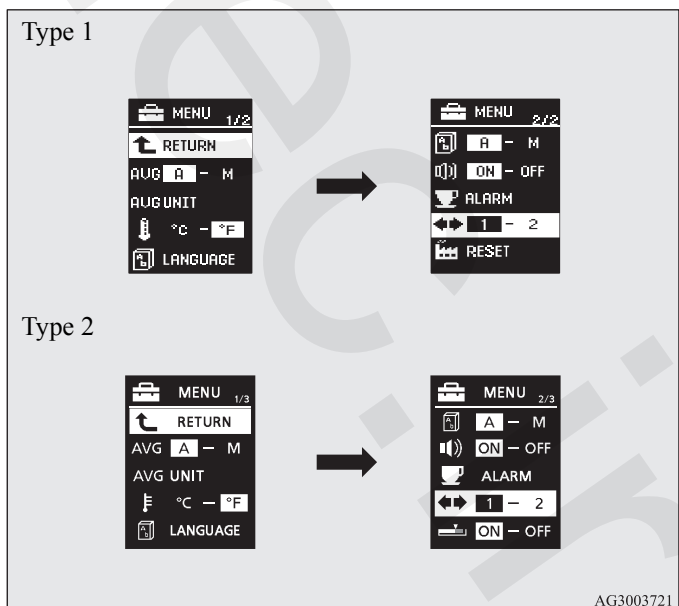
- If the battery is disconnected, the memory of the unit setting is erased and is automatically set to the “OFF”.
- The drive time is reset when the ignition switch is in the “OFF” position.

Changing the turn signal sound

N00563500054

It is possible to change the turn signal sound.

- Press and hold the multi-information meter switch for about 2 seconds or more to switch from the setting mode screen to the menu screen. Refer to “Changing the function settings (With ignition switch in the “ON” position)” on page 3-184.
- Lightly press the multi-information meter switch to select (changing the turn signal sound)




3. Press and hold the multi-information meter switch for about 2 seconds or more to switch in sequence from 1 (turn signal sound 1) → 2 (turn signal sound 2) → 1 (turn signal sound 1).
The setting changes to the selected turn signal sound.

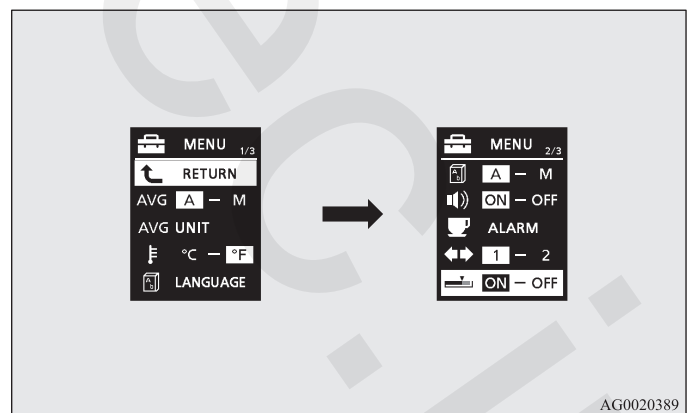
Features and controls

Changing the momentary fuel consumption display (Type 2)

N00563600013

It is possible to change the bar graph setting of the momentary fuel consumption display.

1. Press and hold the multi-information meter switch for about 2 seconds or more to switch from the setting mode screen to the menu screen.
Refer to “Changing the function settings (With ignition switch in the “ON” position)” on page 3-184.
2. Lightly press the multi-information meter switch to select . (changing the momentary fuel consumption display)



Features and controls

3. Press and hold the multi-information meter switch for about 2 seconds or more to switch in sequence from ON (with the green bar graph) → OFF (without the green bar graph) → ON (with the green bar graph).
The setting changes to the selected bar graph setting.

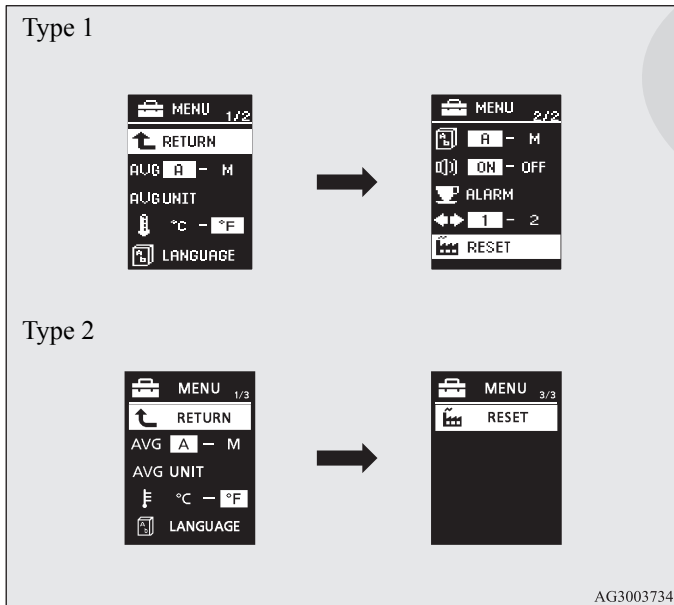
Returning to the factory settings

N00557600164

All of the function settings can be returned to their factory settings.

1. Press and hold the multi-information meter switch (for about 2 seconds or more) to switch from the setting mode screen to the menu screen.
Refer to “Changing the function settings (With ignition switch in the “ON” position)” on page 3-184.

2. Lightly press the multi-information meter switch to select “RESET” (return to the factory settings).



AG3003734

Features and controls

3. Press and hold the multi-information meter switch (for about 5 seconds or more), the buzzer sounds and all of the function settings are returned to the factory settings.

NOTE

- The factory settings are as follows.
 - Average fuel consumption and average speed reset mode: A (Auto reset)
 - Fuel consumption display unit: mpg (US) or (L/100 km)
 - Temperature unit: °F (Fahrenheit) or {°C (Celsius)}
 - Display language: ENGLISH
 - Cooperative language setting: A
 - Operation sounds: ON (Operation sound on)
 - “REST REMINDER” display: OFF
 - Turn signal sound: Turn signal sound 1
 - Momentary fuel consumption with the green bar graph (Type 2): ON

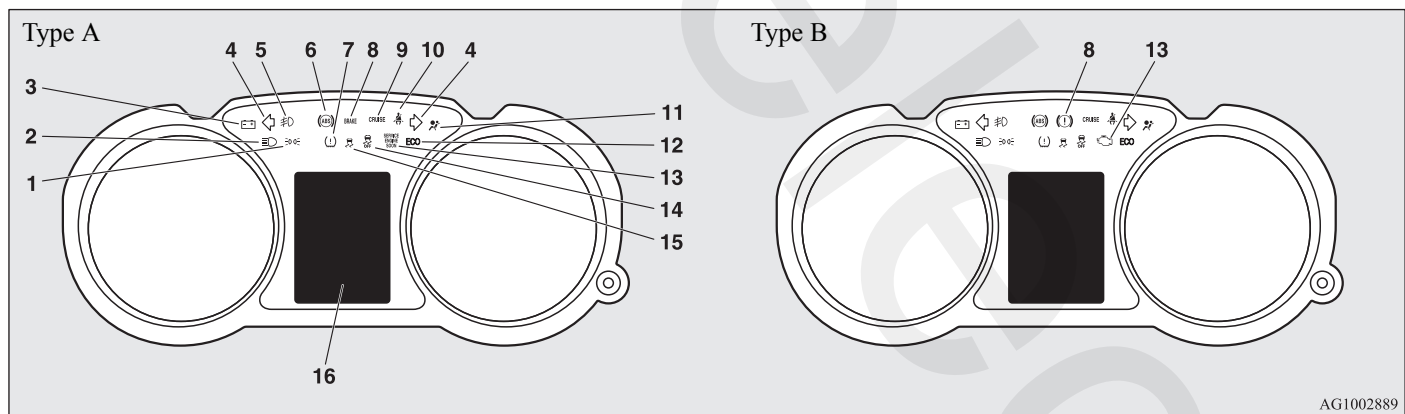
Features and controls

Indicator light, warning light, and information screen display list

N0055770019

Indicator and warning light list

N00557800225



AG1002889

- 1- Position indicator → P.3-211
- 2- High beam indicator → P.3-211
- 3- Charging system warning light → P.3-213
- 4- Turn signal indicator/hazard warning light → P.3-211
- 5- Front fog light indicator (if so equipped) → P.3-211
- 6- Anti-lock braking system warning light → P.3-135
- 7- The tire pressure monitoring system warning light → P.3-153
- 8- Brake warning light → P.3-211
- 9- Cruise control indicator (if so equipped) → P.3-144
- 10- Seat belt reminder/warning light → P.2-43
- 11- Supplemental Restraint System (SRS) warning light → P.2-71
- 12- ECO mode indicator (if so equipped) → P.3-211
- 13- Engine malfunction indicator (“SERVICE ENGINE SOON” or “Check engine light”) → P.3-212
- 14- Active stability control (ASC) OFF indicator (if so equipped) → P.3-141
- 15- Active stability control (ASC) indicator → P.3-141
- 16- Information screen display list → P.3-199

Information screen display list

N00557900079

When there is information to be announced, such as light reminder, the tone sounds and the screen switches to the displays shown below. Refer to the appropriate page and take the necessary measures.

When the cause of the warning display is eliminated, the warning display goes out automatically.

Refer to Warning display list (With ignition switch in the “OFF” position) on page 3-200.

Refer to Warning display list (With ignition switch in the “ON” position) on page 3-203.

Refer to Other interrupt displays (With ignition switch in the “ON” position) on page 3-209.

NOTE








- In the following cases, a warning may be displayed on the information screen and the buzzer may sound for a few seconds, at times.
This is caused by the system picking up interference such as strong electromagnetic waves or noise, and is not a functional problem.
 - An extremely strong electromagnetic wave is received from a source such as an illegal radio set, a spark from a wire, or a radar station.
 - Abnormal voltage or a static electricity discharge is generated by the operation of your vehicle’s electronics (including after-market parts).

If the warning display has occurred a number of times, take your vehicle to an authorized Mitsubishi Motors dealer or a repair facility of your choice and have the system checked.



Features and controls

Warning display list (With ignition switch in the “OFF” position)











N00558000181

Screen type 1	Screen type 2	Cause	Do this (Reference)
 REMOVE KEY	 REMOVE KEY	<ul style="list-style-type: none"> You have forgotten to remove the key from the ignition switch. 	<ul style="list-style-type: none"> Remove the key. Refer to “Key reminder system” on page 3-56.
 TURN OFF LIGHTS	 TURN OFF LIGHTS	<ul style="list-style-type: none"> You have forgotten to turn off the lights. 	Refer to “Light auto-cutout function (headlights and other lights)” on page 3-220.
 ALARM ACTIVATING	 ALARM ACTIVATING	<ul style="list-style-type: none"> The theft-alarm system is operating. 	Refer to “Theft-alarm system” on page 3-66.
		<ul style="list-style-type: none"> Immobilizer is registered. 	Refer to “Customer key programming (Except for vehicles sold in Canada)” on page 3-7. Refer to “Customer F.A.S.T.-key programming (Except for vehicles sold in Canada)” on page 3-44.

Features and controls











Screen type 1	Screen type 2	Cause	Do this (Reference)
		<ul style="list-style-type: none"> ● After turning off the engine, an attempt was made to open the driver's door with the ignition switch in any position other than "LOCK" (PUSH OFF). 	<ul style="list-style-type: none"> ● Turn the ignition switch to the "LOCK" (PUSH OFF) position. Refer to "Ignition switch return reminder system" on page 3-57.
		<ul style="list-style-type: none"> ● An attempt was made to lock all the doors and the tailgate with the ignition switch in any position other than "LOCK" (PUSH OFF). 	<ul style="list-style-type: none"> ● Turn the ignition switch to the "LOCK" (PUSH OFF) position. Refer to "Ignition switch turn-off reminder system" on page 3-31.

Features and controls










Screen type 1	Screen type 2	Cause	Do this (Reference)
 KEY BATTERY LOW	 KEY BATTERY LOW	<ul style="list-style-type: none"> ● There is a fault in the F. A. S. T. -key. 	Refer to “Free-hand Advanced Security Transmitter (F.A.S.T.-key)” on page 3-16.
 KEY MISSING	 KEY NOT DETECTED		
 CONFIRM KEY LOCATION	 KEY STILL IN VEHICLE		
 CHECK DOORS	 CHECK DOORS		
 SERVICE REQUIRED	 KEYLESS OPERATION SYSTEM SERVICE REQUIRED		

Warning display list (With ignition switch in the “ON” position)











N00558100267

Screen type 1	Screen type 2	Cause	Do this (Reference)
 KEY BATTERY LOW	 KEY BATTERY LOW	● There is a fault in the F.A.S.T.-key.	Refer to “Free-hand Advanced Security Transmitter (F.A.S.T.-key)” on page 3-16.
 KEY MISSING	 KEY NOT DETECTED		
 CONFIRM KEY LOCATION	 KEY STILL IN VEHICLE		
 CHECK DOORS	 CHECK DOORS		
 SERVICE REQUIRED	 KEYLESS OPERATION SYSTEM SERVICE REQUIRED		











Features and controls

Screen type 1	Screen type 2	Cause	Do this (Reference)
		<ul style="list-style-type: none"> ● Immobilizer is registered. 	Refer to “Customer key programming (Except for vehicles sold in Canada)” on page 3-7. Refer to “Customer F.A.S.T.-key programming (Except for vehicles sold in Canada)” on page 3-44.
		<ul style="list-style-type: none"> ● The brake fluid level is low. ● There is a fault in the brake system. 	<ul style="list-style-type: none"> ● Park the vehicle in a safe place and inspect it. ● If the light still illuminates after the inspection, contact an authorized Mitsubishi Motors dealer or a repair facility of your choice for assistance. Refer to “Brake warning display” on page 3-214.
		<ul style="list-style-type: none"> ● There is a fault in the Anti-lock braking system. 	<ul style="list-style-type: none"> ● Avoid sudden braking and high-speed driving, park the vehicle in a safe place, and take corrective measures. Refer to “Anti-lock braking system warning” on page 3-135.
		<ul style="list-style-type: none"> ● The tire pressure in one of the tires (except spare tire) is low. 	Refer to “The tire pressure monitoring system warning light” on page 3-153.
		<ul style="list-style-type: none"> ● There is a fault in the Tire Pressure Monitoring System. 	Refer to “The tire pressure monitoring system warning light” on page 3-153.









Features and controls

Screen type 1	Screen type 2	Cause	Do this (Reference)
		<ul style="list-style-type: none"> ● One of the doors or the tailgate is not completely closed. The open door is displayed. 	<ul style="list-style-type: none"> ● Close the door or tailgate. Refer to “Door ajar warning display screen (With ignition switch in the “ON” position)” on page 3-184.
 CLOSE HOOD	 CLOSE HOOD	<ul style="list-style-type: none"> ● The engine hood is open. 	<ul style="list-style-type: none"> ● Close the engine hood. Refer to “Engine hood” on page 7-4.
 CHECK	 ENGINE OVERHEATING STOP SAFELY	<ul style="list-style-type: none"> ● The engine is overheated. 	<ul style="list-style-type: none"> ● Park the vehicle in a safe place and take corrective measures. Refer to “Engine overheating” on page 6-5.
 SLOW DOWN	 TRANSMISSION OVERHEATING SLOW DOWN	<ul style="list-style-type: none"> ● The automatic transaxle or CVT fluid temperature is increased. 	<ul style="list-style-type: none"> ● Park the vehicle in a safe place and take corrective measures. Refer to “Automatic transaxle” on page 3-95. Refer to “Continuously variable transmission (CVT)” on page 3-105.
 FASTEN SEAT BELT	 FASTEN SEAT BELT	<ul style="list-style-type: none"> ● The seat belt is not fastened when the ignition switch is in the “ON” position. 	<ul style="list-style-type: none"> ● Wear your seat belt properly. Refer to “Seat belt warning” on page 2-43.





Features and controls

Screen type 1	Screen type 2	Cause	Do this (Reference)
		<ul style="list-style-type: none"> ● There is a fault in the fuel system. 	<ul style="list-style-type: none"> ● Contact an authorized Mitsubishi Motors dealer or a repair facility of your choice to have the system checked.
		<ul style="list-style-type: none"> ● The vehicle is being driven with the parking brake still applied. 	<ul style="list-style-type: none"> ● Release the parking brake. Refer to “Brake warning display” on page 3-214.
		<ul style="list-style-type: none"> ● There is a fault in the engine oil circulation system. 	<ul style="list-style-type: none"> ● Park your vehicle in a safe place as soon as possible and contact an authorized Mitsubishi Motors dealer or a repair facility of your choice to have the system checked. Refer to “Oil pressure warning display” on page 3-216.
		<ul style="list-style-type: none"> ● There is a fault in the charging system. 	<ul style="list-style-type: none"> ● Park your vehicle in a safe place as soon as possible and contact an authorized Mitsubishi Motors dealer or a repair facility of your choice for assistance. Refer to “Charging system warning light” on page 3-213.
		<ul style="list-style-type: none"> ● There is a fault in the SRS airbag or the pre-tensioner system. 	<ul style="list-style-type: none"> ● Contact an authorized Mitsubishi Motors dealer or a repair facility of your choice to have the system checked. Refer to “SRS airbag/Pre-tensioner system warning” on page 2-71.

Features and controls

Screen type 1	Screen type 2	Cause	Do this (Reference)
		<ul style="list-style-type: none"> ● There is a fault in the Active stability control (ASC). ● There is a fault in the Hill start assist. 	<ul style="list-style-type: none"> ● Contact an authorized Mitsubishi Motors dealer or a repair facility of your choice to have the system checked. Refer to “Active stability control (ASC)” on page 3-138. ● Have the vehicle checked at an authorized Mitsubishi Motors dealer or a repair facility of your choice. Refer to “Hill start assist” on page 3-131.
		<ul style="list-style-type: none"> ● There is a fault in the electronically controlled 4WD system. 	<ul style="list-style-type: none"> ● Contact an authorized Mitsubishi Motors dealer or a repair facility of your choice to have the system checked. Refer to “Electronically controlled 4WD system” on page 3-115.
		<ul style="list-style-type: none"> ● There is a fault in the automatic transaxle or CVT. 	<ul style="list-style-type: none"> ● Contact an authorized Mitsubishi Motors dealer or a repair facility of your choice to have the system checked. Refer to “Automatic transaxle” on page 3-95. Refer to “Continuously variable transmission (CVT)” on page 3-105.
		<ul style="list-style-type: none"> ● The electronically controlled 4WD system is hot. 	<ul style="list-style-type: none"> Refer to “Electronically controlled 4WD system” on page 3-115.

Features and controls

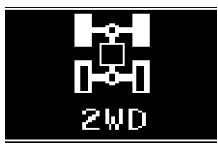

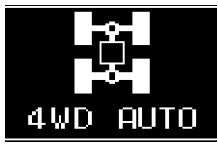

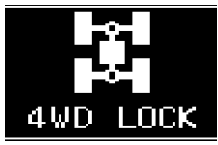


Screen type 1	Screen type 2	Cause	Do this (Reference)
 REFUEL	 REFUEL	<ul style="list-style-type: none"> ● The fuel is running low. 	<ul style="list-style-type: none"> ● Refuel as soon as possible. Refer to “Fuel remaining warning display” on page 3-180.
 POSSIBLE ICY ROADS	 POSSIBLE ICY ROADS	<ul style="list-style-type: none"> ● The outside temperature is 37 °F (3 °C) or less. 	<ul style="list-style-type: none"> ● Be careful driving on frozen ground. ● The ground may be frozen even when this warning is not displayed, so drive carefully.

Features and controls

Other interrupt displays (With ignition switch in the “ON” position)



N00558200196

The operation status of each system is displayed on the information screen. For further details, refer to the appropriate page for each system.



Screen type 1	Screen type 2	System operation status	Reference
		<ul style="list-style-type: none"> When “2WD” drive mode is selected with the drive mode selector. 	Refer to “Electronically controlled 4WD system” on page 3-115.
		<ul style="list-style-type: none"> When “4WD AUTO” mode is selected with the drive mode selector. 	
		<ul style="list-style-type: none"> When “4WD LOCK” mode is selected with the drive mode selector. 	
		<ul style="list-style-type: none"> When the Active stability control (ASC) is operating. 	Refer to “Active stability control (ASC)” on page 3-138.

Features and controls

This informs you that a periodic inspection is due.

Screen type 1	Screen type 2	Do this
		Have an inspection made by an authorized Mitsubishi Motors dealer. For further details, refer to "Service reminder" on page 3-181.

The rest time can be set.

Screen type 1	Screen type 2	Do this
		<p>Park the vehicle in a safe place, turn off the engine, and take a rest. Use this display as rough guide for taking rests during a long drive. The interval from the start of your trip until this message is displayed can be set. Refer to "Changing the function settings (With ignition switch in the "ON" position)" on page 3-184.</p> <p>The display and buzzer alert the driver when the set time is reached. If you continue to drive without having a rest, the buzzer sounds about every 5 minutes to encourage you to take a rest.</p> <ul style="list-style-type: none"> ● In the following cases, the time driven is reset and the display returns to the previous display screen. After this, when the set time is reached again, the display and buzzer encourage you to take a rest. <ul style="list-style-type: none"> • The buzzer sounds 3 times. • The ignition switch is turned to the "OFF" position. • The multi-information meter switch is held (for about 2 seconds or more).

Indicators

N00519900127

Turn signal indicators/Hazard warning lights

N00520000216

The arrows will flash in time with the corresponding exterior turn signals when the turn signal lever is used.

Both arrows will flash when the hazard warning flasher switch is pressed.

NOTE

- If the indicator flashes faster than usual or if the indicator stays on without flashing, check for a malfunctioning turn signal light bulb or turn signal connection.

High beam indicator

N00520100086

A blue light comes on when the headlights are on high beam.

Front fog light indicator (if so equipped)

N00520200175

This indicator comes on while the front fog lights are on.

Position indicator

N00551300026

This indicator light illuminates while the position lights are on.

ECO mode indicator (if so equipped)

N00568800010

This indicator will be displayed when fuel-efficient driving is achieved.

Features and controls

Warning lights

N00520300147

Brake warning light

N00520400395

This light comes on when the key is turned to the “ON” position (engine off).

When the engine is started, the light should go off a few seconds later. A warning is also displayed in the multi-information display.

The warning light also illuminates after starting the engine under the following conditions.

- When the parking brake is still applied.
- When the brake fluid level is low.
- When the brake system circuit is not working properly.

Before driving, be sure that the parking brake is fully released and brake warning light is off.

Features and controls

⚠ CAUTION

- If the brake warning light and the Anti-lock braking system warning light are illuminated at the same time, the braking force distribution function will not operate, so the vehicle may be destabilized during sudden braking under the following conditions.
 - When the brake warning light does not go out even when the parking brake is released.
 - When the brake warning light stays on while driving.
 - If the above occurs, avoid sudden braking and high-speed driving. Park the vehicle in a safe place, and contact an authorized Mitsubishi Motors dealer or a repair facility of your choice as soon as possible.
- The vehicle should be brought to a halt in the following manner when brake performance is deteriorated.
 - Confirm that the vehicle slows down when you press down on the brake pedal harder than usual. In some cases, the brake pedal may go all the way to the floor.
 - Should the brakes fail, use engine braking to reduce your speed and slowly apply the parking brake. Depress the brake pedal to illuminate the stop lights to alert the vehicles behind you.

Engine malfunction indicator (“SERVICE ENGINE SOON” or “Check engine light”)

N00520500761

This indicator is a part of the onboard diagnostic (OBD) system which monitors the emissions, engine control system or automatic transaxle control system/continuously variable transmission (CVT) control system. If a problem is detected in one of these systems, this indicator illuminates or flashes. When the ignition switch is turned to the “ON” position, this indicator normally comes on and goes off after the engine has started.

This indicator will come on if the fuel tank filler cap is not properly tightened. If this indicator comes on and stays on after refueling, stop the engine and check that the cap is properly tightened. (Turn the cap clockwise until you hear clicking sounds.)

If this indicator does not go off after several seconds or lights up while driving, have the system checked as soon as possible at an authorized Mitsubishi Motors dealer or a repair facility of your choice.

⚠ CAUTION

- Driving for a long time with the engine malfunction indicator on may cause more damage to the emission control system. This could also affect fuel economy and drivability.
- If this indicator does not come on when the ignition switch is turned to the “ON” position, have the system checked at an authorized Mitsubishi Motors dealer or a repair facility of your choice.

⚠ CAUTION

- **If the engine malfunction indicator comes on while the engine is running, avoid driving at high speeds. During vehicle operation with the indicator on, the vehicle may not accelerate when you depress the accelerator pedal. When the vehicle is stationary with the indicator on, you must depress the brake pedal more firmly than usual since the engine idling speed is higher than usual and a vehicle with an automatic transaxle or CVT has a stronger tendency to creep forward.**

NOTE

- Do not disconnect the battery cable when the engine malfunction indicator (“SERVICE ENGINE SOON” or “Check engine light”) is on. The engine electronic control module stores critical OBD information (especially exhaust emission data), which may be lost if the battery cable is disconnected while the engine malfunction indicator is on. This will make it difficult to diagnose the cause of future problems.

Charging system warning light

N00520600296

This light comes on in the event of a malfunction in the charging system or when the ignition switch is turned to the “ON” position (engine off). A warning is also displayed in the multi-information display. When the engine is started, the light should go out. Check to make sure that the light has gone out before driving.

⚠ CAUTION

- **If the warning light stays on while the engine is running, park your vehicle in a safe place as soon as possible and contact an authorized Mitsubishi Motors dealer or a repair facility of your choice to have the system checked.**

Features and controls

Information screen display

Brake warning display

Type 1



Type 2



3

This warning is displayed if the vehicle is being driven with the parking brake still applied. The warning light in the instrument cluster only comes on when the parking brake is applied.

⚠ CAUTION

- If a vehicle is driven without releasing the parking brake, the brakes will overheat, resulting in ineffective braking and possible brake failure. If this warning is displayed, release the parking brake.

Type 1

N00558300012



Type 2

N00558400127



When the ignition switch is turned to the “ON” position, if the brake fluid is low, this warning is displayed. The warning light in the instrument cluster also illuminates.

⚠ CAUTION

- If this warning stays on and does not go out while driving, there is a danger of ineffective braking. If this happens, park the vehicle in a safe place, and contact an authorized Mitsubishi Motors dealer or a repair facility of your choice.
- If the brake warning display, brake warning light, and the Anti-lock braking system warning light are illuminated at the same time, the braking force distribution function will not operate, so the vehicle may be destabilized during sudden braking. Avoid sudden braking and high-speed driving. Park the vehicle in a safe place, and contact an authorized Mitsubishi Motors dealer or a repair facility of your choice.

⚠ CAUTION

- The vehicle should be brought to a halt in the following manner when brake performance is deteriorated.
- Confirm that the vehicle slows down when you press down on the brake pedal harder than usual. In some cases, the brake pedal may go all the way to the floor.
- Should the brakes fail, use engine braking to reduce your speed and slowly apply the parking brake. Depress the brake pedal to illuminate the stop lights to alert the vehicles behind you.

Charging system warning display

N00558600099

Type 1



Type 2



If there is a fault in the charging system, the warning display warning is displayed on the information screen in the multi-information display. The warning light in the instrument cluster also illuminates.

⚠ CAUTION

- If warnings are displayed while the engine is running, park your vehicle in a safe place as soon as possible and contact an authorized Mitsubishi Motors dealer or a repair facility of your choice to have the system checked.

Features and controls

Oil pressure warning display

Type 1



Type 2



N00558700087

NOTE

- The oil pressure warning display does not show the amount of oil. The oil level must be checked using the dipstick.

3

If the engine oil pressure drops while the engine is running, the warning display is displayed on the information screen in the multi-information display.

CAUTION

- If the vehicle is driven while the engine oil is low, or the oil level is normal but the warning is displayed, the engine may overheat and damage may result.
- If the warning is displayed while the engine is running, park your vehicle in a safe place as soon as possible and check the engine oil level.
- If this warning display comes on when the engine oil level is proper, have your vehicle checked at an authorized Mitsubishi Motors dealer or a repair facility of your choice.

Combination headlights and dimmer switch

N00522500651

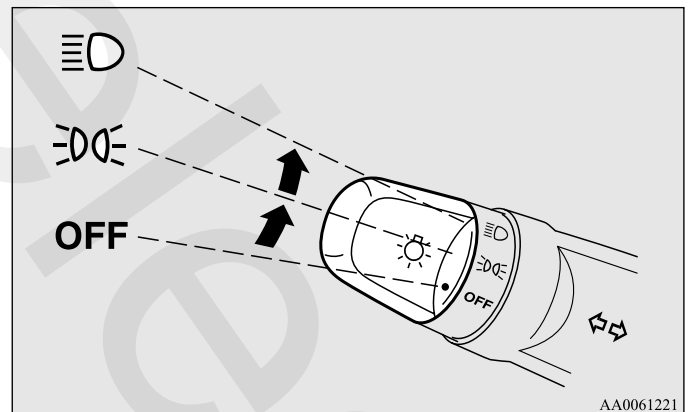
Headlights

NOTE

- Do not leave the headlights and other lights on for a long period of time when the engine is not running. The battery will run down.
- When it rains, or when the vehicle has been washed, the inside of the lens sometimes becomes foggy. This is the same as when window glass mists up on a humid day, and does not indicate a problem. When the light is switched on, the heat will dry out the fog. However, if water collects inside the light, have it checked by an authorized Mitsubishi Motors dealer or a repair facility of your choice.

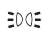

Type 1

Rotate the switch to operate the lights.



The combinations of switch operations and illuminated lights differ in accordance with the following conditions.

Except for vehicles equipped with daytime running lights

OFF	All lights off
	Parking, tail, front and rear side-marker lights, license plate and instrument panel lights on
	Headlights and other lights on

Features and controls

Vehicles equipped with daytime running lights

[When the engine is started, and the parking brake is released]

The daytime running lights will be illuminated:

OFF	The daytime running lights illuminated
☰☺☻	The daytime running lights illuminated Parking, tail, front and rear side-marker lights, license plate and instrument panel lights on
☰☺	Headlights and other lights on

NOTE

- Once the daytime running light come on, they do not go out until the ignition switch is turned to the “LOCK” or “ACC” position.

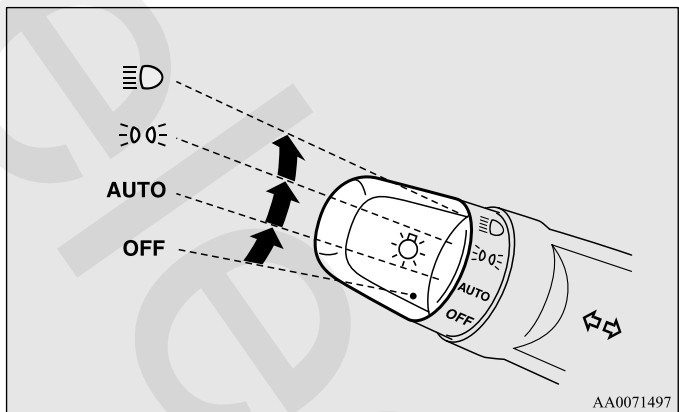
[When the engine is not running, or when the engine is running but the parking brake is not released]

The engine starts when the lights are off.

OFF	All lights off
☰☺☻	Parking, tail, front and rear side-marker lights, license plate and instrument panel lights on
☰☺	Headlights and other lights on

Type 2

Rotate the switch to operate the lights.



The combinations of switch operations and illuminated lights differ in accordance with the following conditions.

Except for vehicles equipped with daytime running lights

OFF	All lights off
AUTO	Headlights and other lights turn on and off automatically in accordance with outside light level.
☰☺☻	Parking, tail, front and rear side-marker lights, license plate and instrument panel lights on
☰☺	Headlights and other lights on

Features and controls

Vehicles equipped with daytime running lights

[When the engine is started, and the parking brake is released]

The daytime running lights will be illuminated:

OFF	The daytime running lights illuminated
AUTO	The daytime running lights illuminated Headlights and other lights turn on and off automatically in accordance with outside light level.
☰☱☲	The daytime running lights illuminated Parking, tail, front and rear side-marker lights, license plate and instrument panel lights on
☰☲	Headlights and other lights on

NOTE

- Once the daytime running light come on, they do not go out until the ignition switch is turned to the “LOCK” or “ACC” position.

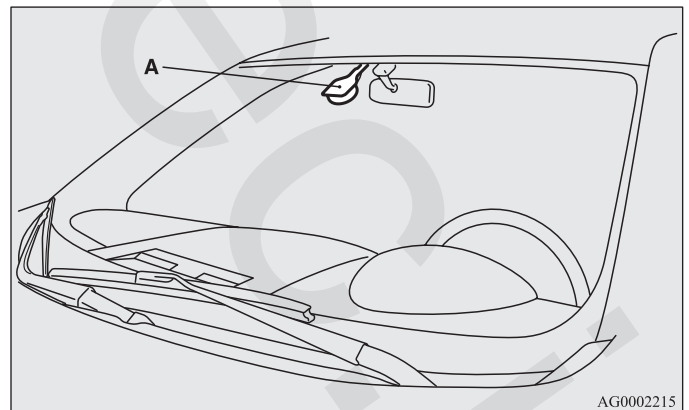
[When the engine is not running, or when the engine is running but the parking brake is not released]

The engine starts when the lights are off.

OFF	All lights off
AUTO	Headlights and other lights turn on and off automatically in accordance with outside light level.
☰☱☲	Parking, tail, front and rear side-marker lights, license plate and instrument panel lights on
☰☲	Headlights and other lights on

NOTE

- The sensitivity of the automatic on/off control can be adjusted.
For further information, please contact your authorized Mitsubishi Motors dealer or a repair facility of your choice.
On vehicles equipped with Mitsubishi Multi-Communication System, screen operations can be used to make the adjustment.
Refer to the separate owner’s manual for details.
- Do not cover the sensor (A) for the automatic on/off control by affixing a sticker or label to the windshield.

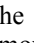
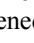


- If the lights do not turn on or off with the switch in the “AUTO” position, manually operate the switch. Have the system checked by an authorized Mitsubishi Motors dealer or a repair facility of your choice.

Features and controls

Light auto-cutout function (headlights and other lights)

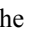
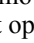
N00532600479

- With the combination headlights and dimmer switch in the “” or “” position, if the key is turned to the “LOCK” or “ACC” position or removed from the ignition switch and the driver’s door is opened, the lights automatically turn off.

[When using a key to start the engine]

- If the driver’s door is opened after the key is removed from the ignition switch, a high-pitched constant tone will sound to remind you to turn off the lights.
- If the driver’s door is opened with the key in the ignition switch, a low-pitched beep will sound to remind you to remove the key.

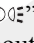
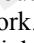
[When using the F.A.S.T.-key to start the engine]

- If the ignition switch is turned to the “LOCK” position and the driver’s door is opened, a high-pitched constant buzzer will sound to remind you to turn off the lights.
- If the ignition switch is turned to any position other than “LOCK” (PUSH OFF) and the driver’s door is opened, a low-pitched constant buzzer will sound to remind you to return the ignition switch.
- With the combination headlights and dimmer switch in the “” or “” position, if the key is turned to the “LOCK” or “ACC” position or removed from the ignition switch and the driver’s door is not opened, the lights automatically turn off after about 3 minutes.

NOTE

- The light auto-cutout function can be deactivated. See your authorized Mitsubishi Motors dealer for details. For vehicles equipped with the Mitsubishi Multi-Communication System, adjustments can be made using screen operations. For further details, refer to the separate owner’s manual.

When you want to keep the lights on:

If the combination headlights and dimmer switch is turned to the “” or “” position again after the engine is turned off, the about 3-minute auto-cutout function described above will not work. The lights (the parking lights, tail lights and license plate lights) will stay on and will not turn off automatically.

NOTE

- When the engine is started using the key, if the driver’s door is opened and the key is removed, the headlight reminder buzzer intermittently emits a high-pitched sound. If the key is still in the ignition switch the key reminder buzzer intermittently emits a low-pitched sound. The buzzer stops when the driver’s door is closed. (A warning is also displayed in the multi-information display.)
- When the engine is started using the F.A.S.T.-key, if the driver’s door is opened and the ignition switch is in the “LOCK” position, the headlight reminder buzzer intermittently emits a high-pitched sound. If the ignition switch is in any position other than “LOCK”, the ignition switch on reminder buzzer intermittently emits a low-pitched sound. The buzzer stops when the driver’s door is closed. (A warning is also displayed in the multi-information display.)

Features and controls

Headlight reminder buzzer

N00549800170

[When using a key to start the engine]

If the driver's door is opened with the key in the "LOCK" or "ACC" position or removed from the ignition switch while the lights are on, the tone will sound to remind you to turn off the lights.

[When using the F.A.S.T.-key to start the engine]

If the driver's door is opened with the ignition switch in the "LOCK" or "ACC" position, or if the ignition switch is moved to the "LOCK" position while the lights are on, the tone will sound to remind you to turn off the lights.

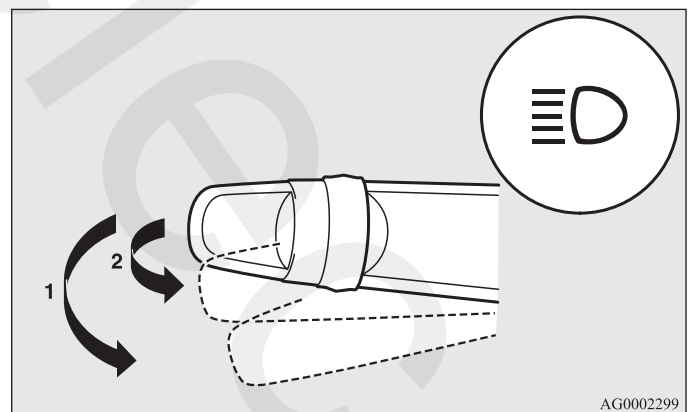
In either case, the lights will turn off automatically and so will the tone.

Or you can turn the light switch to the "OFF" position to stop the tone.

Dimmer (high/low beam change)

N00549900142

To change the headlights from high beam to low beam and vice versa, pull the turn signal lever to (1). Switch the headlights to low beam as a courtesy whenever there are oncoming vehicles, or when there is traffic moving ahead of you. An illuminated blue light in the instrument cluster indicates when the headlights are on high beam.



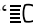
Features and controls

Headlight flasher

N0055000185

You can flash the high beams by pulling the lever gently toward you (2). The lights will go back to normal when you let go. While the high beam is on, you will see a blue light on the instrument panel.

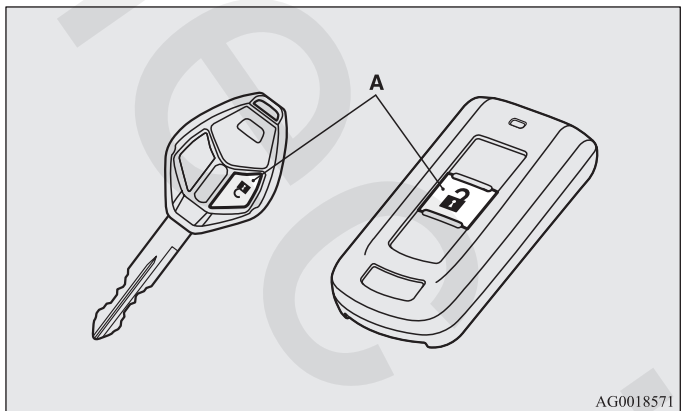
NOTE

- You can flash the high beams by pulling the lever toward you, even if the light switch is off.
- If you turn the lights off with the head lights set to high-beam illumination, the headlights are automatically returned to their low-beam setting when the light switch is next turned to the “ ” position.

Welcome light

N00563200077

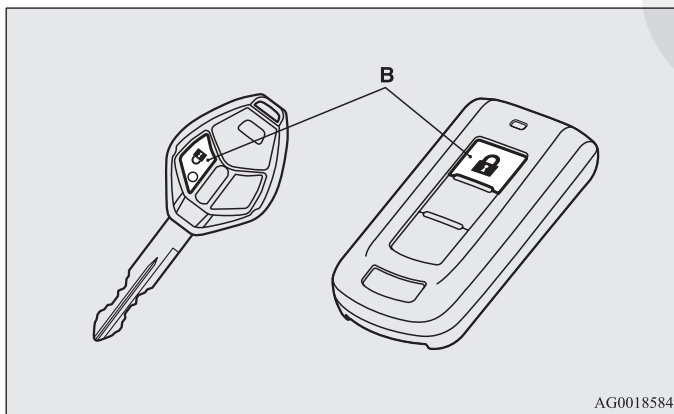
This function turns on the front side-marker and parking lights for about 30 seconds after the UNLOCK button (A) on the remote control transmitter is pressed when the combination headlights and dimmer switch is in the “OFF” or “AUTO” position (for vehicles equipped with the automatic light control). On vehicles equipped with the automatic light control, the welcome light function will operate only when it is dark outside the vehicle.


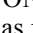


Features and controls

NOTE

- While the welcome light function is operating, perform one of the following operations to cancel the function.
 - Push the LOCK button (B) on the remote control transmitter.



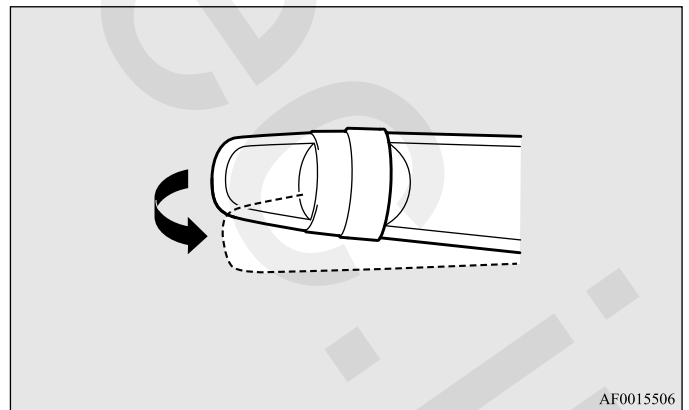
- Turn the combination headlights and dimmer switch to the “” or “” position.
 - Turn the ignition switch to the “ON” position.
 - It is possible to modify functions as follows:
 - The headlights can be set to come on in the low beam setting.
 - The welcome light function can be deactivated.
- For details, consult a Mitsubishi Motors dealer.
On vehicles equipped with Mitsubishi Multi-Communication System, screen operations can be used to make the adjustment.
Refer to separate owner’s manual for details.

Coming home light

N00547300070

This function turns on the headlights in the low beam setting for about 30 seconds after the ignition switch is turned to the “LOCK” position.

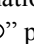
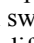
1. Turn the combination headlights and dimmer switch to the “OFF” or “AUTO” position (for vehicles equipped with the automatic light control).
2. Turn the ignition switch to the “LOCK” position. Also, if a key was used to start the engine, remove the key from the ignition switch.
3. Within 60 seconds of turning the ignition switch to the “LOCK” position, pull the turn signal lever toward you.



Features and controls

- The headlights will come on in the low beam setting for about 30 seconds. After the headlights go off, the headlights can be turned on again in the low beam setting for about 30 seconds by pulling the turn signal lever toward you within 60 seconds of turning the ignition switch to the “LOCK” position. To turn on the headlights again after 60 seconds of turning the ignition switch to the “LOCK” position, repeat the process from step 1.

NOTE

- While the coming home light function is operating, perform one of the following operations to cancel the function.
 - Pull the turn signal lever toward you.
 - Turn the combination headlights and dimmer switch to the “” or “” position.
 - Turn the ignition switch to the “ON” position.
- It is possible to modify functions as follows:
 - The time that the headlights remain on can be changed.
 - The coming home light function can be deactivated.


For details, consult a Mitsubishi Motors dealer.

On vehicles equipped with Mitsubishi Multi-Communication System, screen operations can be used to make the adjustment.

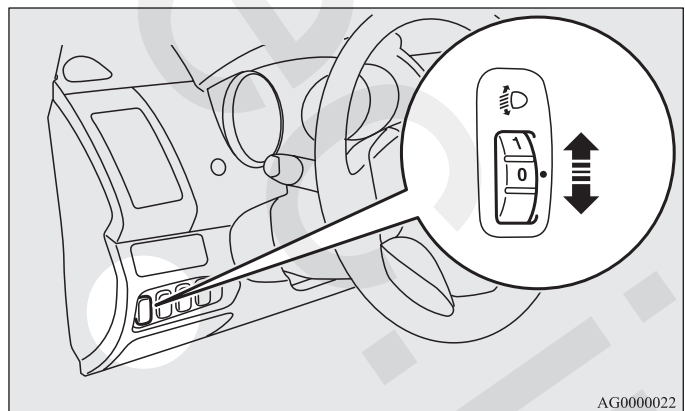
Refer to separate owner’s manual for details.

Headlight leveling switch (if so equipped)

N00537100075

The direction of the headlight beam (the direction in which the light shines) alters according to the number of people and the load in the vehicle. Lower the headlight angle if it is too high due to the number of people and/or the load in the vehicle so that the headlights’ glare does not distract the drivers of approaching vehicles. First set the light switch to the “” position, then turn the headlight leveling switch knob to lower the beam. The greater the number on the headlight leveling switch knob, the lower the beam will point.

Set the switch to the appropriate position so that the headlight beam is level with the road.



AG0000022

⚠ WARNING

- To avoid distraction while driving, always perform headlight adjustments before vehicle operation.

NOTE

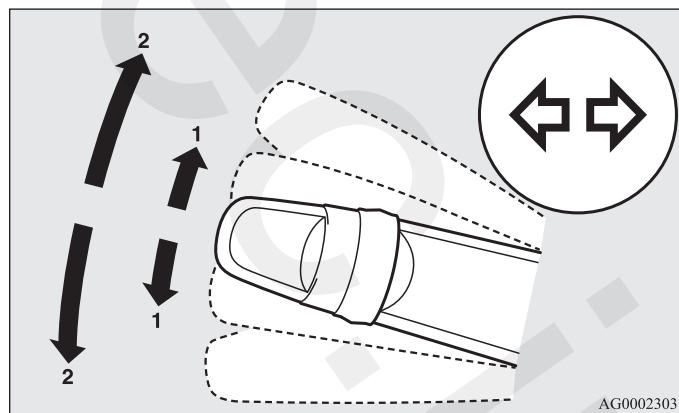
- Start adjusting when the knob is at the “0” position (when the beam is at its highest).
- Keep the knob in the “0” position except when using the knob to lower the headlight beam angle.
- Always return the knob to the “0” position when the load is removed and the people have left the vehicle.

Features and controls**Turn signal lever**

N00522600463

When changing lanes, or to making a gradual turn, hold the lever in the “lane change” position (1). It will return to the neutral position when you let go. Use the full position (2) when making a normal turn. The lever will return to the neutral position when the turn is complete. There may be times when the lever does not return to the neutral position. This usually happens when the steering wheel is turned only slightly. You can easily return the lever by hand.

Also, when you move the lever to (1) slightly then release it, the turn signal lights and the indicator light in the instrument cluster will flash three times.



Features and controls

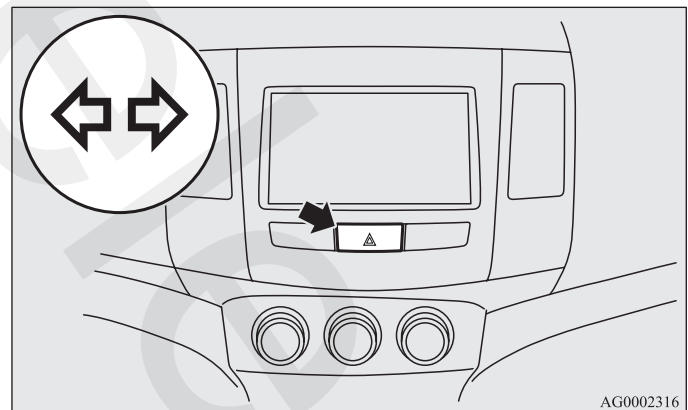
NOTE

- A light in the instrument panel flashes to show when the front and rear turn signal lights are working properly. If this light flashes faster than usual, check for a burned out turn signal light bulb or malfunctioning connection in the signal. If the panel light does not come on when the lever is moved, check for a blown fuse or a burned out bulb in the panel. Have the system inspected by your authorized Mitsubishi Motors dealer or a repair facility of your choice.
- It is possible to modify functions as follows:
 - Deactivate the turn signal light 3-flash function for lane changes.
 - Adjust the time required to operate the lever for the 3-flash function.

See your authorized Mitsubishi Motors dealer for details. For vehicles equipped with the Mitsubishi Multi-Communication System, adjustments can be made using screen operations. For further details, refer to the separate owner's manual.

Hazard warning flasher switch

N00522700190



If you press the flasher switch, the front and rear turn signals will flash intermittently, and so will the hazard warning lights. This is an emergency warning system and should not be used when the vehicle is in motion, except for emergencies. If you need to leave your vehicle, the flashers will keep working after the ignition switch is removed.

NOTE

- If the flashers are used for several hours, the battery will run down. This could make it difficult or impossible to restart your vehicle.

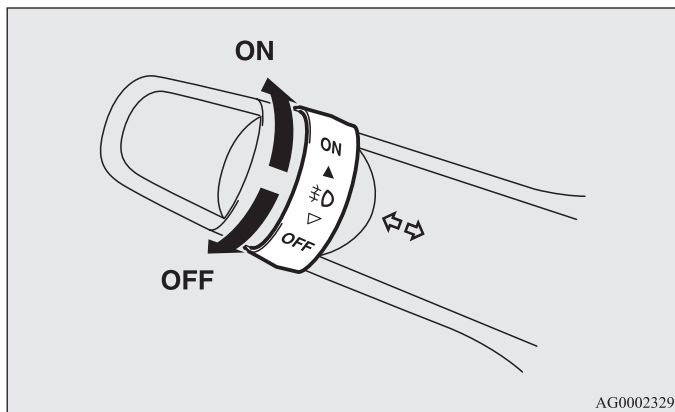
Front fog light switch (if so equipped)

N00522800348

The front fog lights illuminate only when the headlights are on low beam.

Turning the knob in the direction of the “ON” position turns on the front fog lights as well as the indicator in the instrument cluster. To turn them off, turn the knob in the direction of the “OFF” position.


The knob will return to the neutral position when it is released.



NOTE

- If the headlights are switched to high beam, the front fog lights will go out; they will illuminate again when the headlights are switched back to low beam.

Features and controls

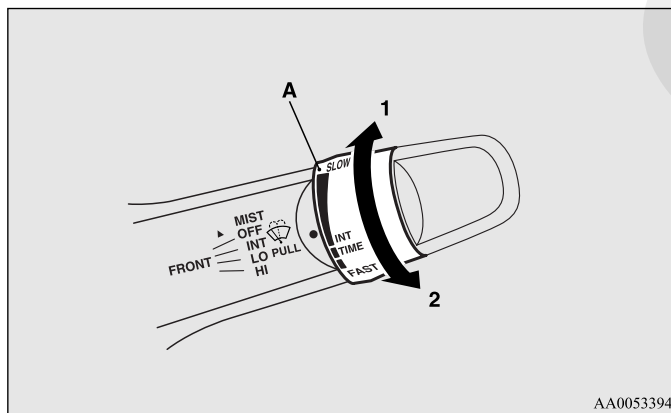
- If the light switch is rotated to the “OFF” or “

3

Features and controls

To adjust intermittent intervals

With the lever in the “INT” (speed sensitive intermittent operation) position, the intermittent intervals can be adjusted by turning the knob (A).



- 1- Fast
- 2- Slow

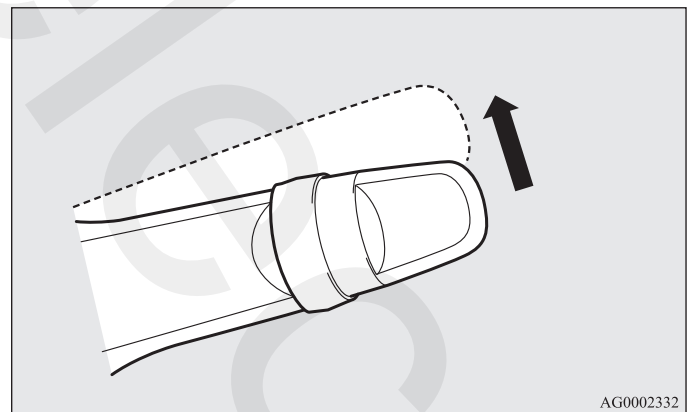
NOTE

- The speed-sensitive-operation function of the windshield wipers can be deactivated. For further information, please contact your authorized MITSUBISHI MOTORS dealer or a repair facility of your choice. On vehicles equipped with Mitsubishi Multi-Communication System, screen operations can be used to make the adjustment. Refer to separate owner’s manual for details.

Misting function

The misting function can be used when the ignition switch is in the “ON” or “ACC” position.

The wipers will operate once if the wiper lever is raised to the “MIST” position and released. This operation is useful when it is drizzling, etc. The wipers will continue to operate while the lever is held in the “MIST” position.

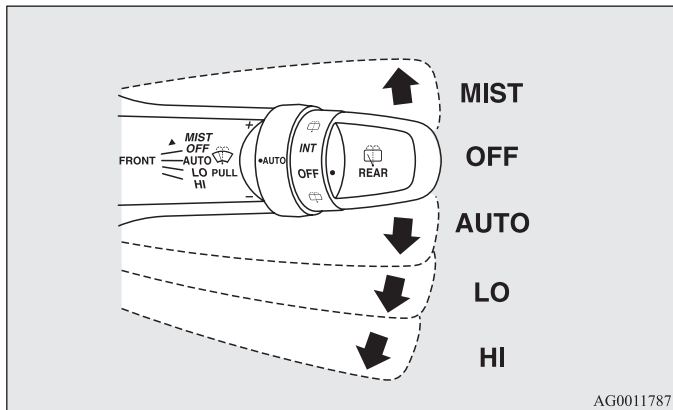


Features and controls

Vehicle with rain sensor

The windshield wipers can be operated with the ignition switch in the "ON" or "ACC" position.

If the blades are frozen to the windshield or rear window, do not operate the wipers until the ice has melted and the blades are freed, otherwise the wiper motor may be damaged.



MIST- Misting function

The wipers will operate once.

OFF- Off

INT- Auto-wiper control

Rain sensor

The wipers will automatically operate depending on the degree of wetness on the windshield.

LO- Slow

HI- Fast

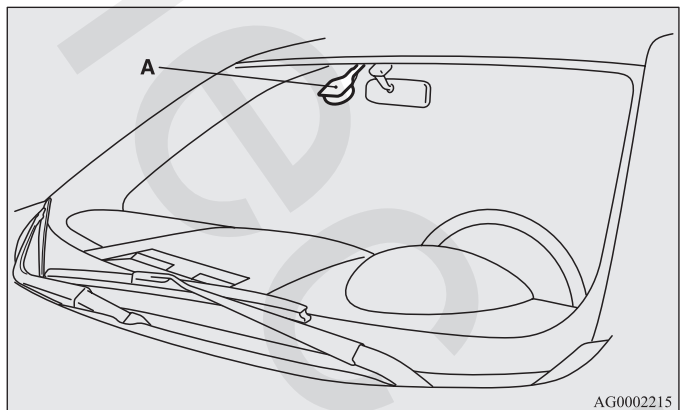
Rain sensor (if so equipped)

Can only be used when the ignition switch is "ON" position.

If the lever is put in the "AUTO" position, the rain sensor (A) will detect the extent of rain (or snow, other moisture, dust, etc.) and the wipers will operate automatically.

Keep the lever in the "OFF" position if the windshield is dirty and the weather is dry.

Wiper operation under these conditions can scratch the windshield and damage the wipers.



⚠ CAUTION

● With the ignition switch in the “ON” position and the lever in the “AUTO” position, the wipers may automatically operate in the situations described below.

- When cleaning the outside surface of the windshield, if you touch the rain sensor.
- When cleaning the outside surface of the windshield, if you wipe with a cloth the rain sensor.
- When using an automatic car wash.
- A physical shock is applied to the windshield.
- A physical shock is applied to the rain sensor.

If your hands get trapped, you could suffer injuries or the wipers could malfunction. Be sure to turn the ignition switch to the “OFF” position or move the lever to the “OFF” position to deactivate the rain sensor.

NOTE

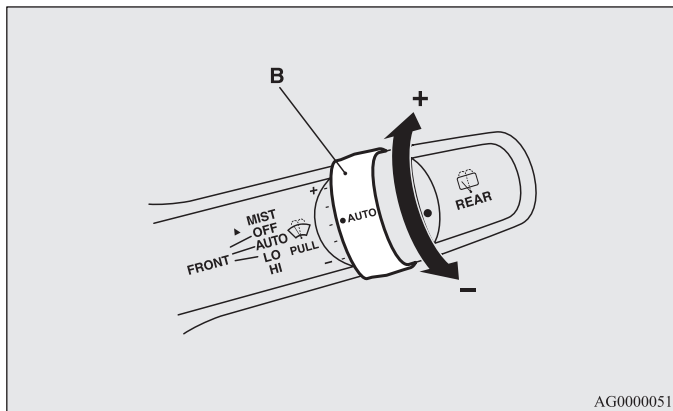
- To protect the rubber parts of the wipers, this operation of the wipers does not take place when the vehicle is stationary and the ambient temperature is about 32 °F (0 °C) or lower.
- Do not cover the sensor by affixing a sticker or label to the windshield. Also, do not put any water-repellent coating on the windshield. The rain sensor would not be able to detect the extent of rain, and the wipers might stop working normally.
- In the following cases, the rain sensor may be malfunctioning. Have the vehicle checked at an authorized Mitsubishi Motors dealer or a repair facility of your choice.
 - When the wipers operate at a constant interval despite changes in the extent of rain.
 - When the wipers do not operate even though it is raining.
- The wipers may automatically operate when things such as insects or foreign objects are affixed to the windshield on top of the rain sensor or when the windshield is frozen. Objects affixed to the windshield will stop the wipers when the wipers cannot remove them. To operate the wipers again, move the lever to the “LO” or “HI” position. Also, the wipers may operate automatically due to strong direct sunlight or electromagnetic wave. To stop the wipers, move the lever to the “OFF” position.
- Contact an authorized Mitsubishi Motors dealer or a repair facility of your choice when replacing the windshield glass.

Features and controls

Features and controls

To adjust the sensitivity of the rain sensor

With the lever in the “AUTO” (rain sensor) position, it is possible to adjust the sensitivity of the rain sensor by turning the knob (B).



“+”- Higher sensitivity to rain

“-”- Lower sensitivity to rain

NOTE

- Automatic wiper operation (rain sensitive) can be changed to intermittent operation, either vehicle speed sensitive or not vehicle speed sensitive.

For further information, please contact your authorized MITSUBISHI MOTORS dealer or a repair facility of your choice.

On vehicles equipped with Mitsubishi Multi-Communication System, screen operations can be used to make the adjustment.

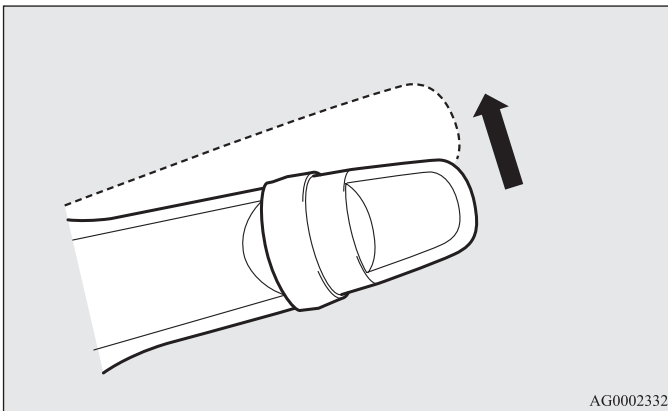
Refer to the separate owner’s manual for details.

Misting function

Move the lever in the direction of the arrow and release, to operate the wipers once.

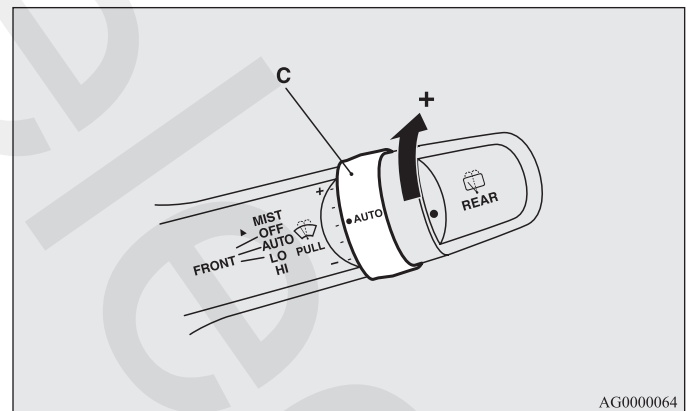
Use this function when you are driving in mist or drizzle.

The wipers will operate once if the lever is raised to the "MIST" position and released when the ignition switch is in the "ON" or "ACC" position. The wipers will continue to operate while the lever is held in the "MIST" position.



Features and controls

The wipers will operate once if the lever is moved to the "AUTO" position and the knob (C) is turned in the "+" direction when the ignition switch is "ON" position.



Features and controls

Windshield washer

N00504600230

The windshield washer can be operated with the ignition switch in the “ON” or “ACC” position.

The washer fluid will be sprayed onto the windshield by pulling the lever toward you.

When the wipers are not in operation or in intermittent operation, by pulling the lever toward you, the wipers will operate several times while the washer fluid is being sprayed.

Also, by releasing the lever soon after pulling it toward you, the washer fluid will be sprayed several times while the wipers are operating several times. (Intelligent washer)

Intelligent washer will stop operating with any operation of the lever.

NOTE

● It is possible to modify functions as follows:

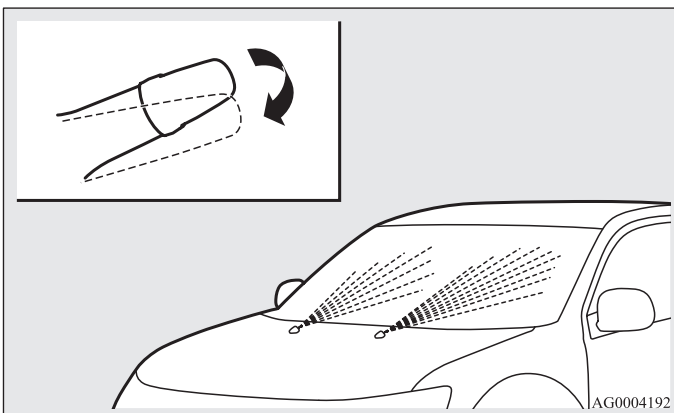
- Intelligent washer can be deactivated.
- The wipers can be set to operate again after about 6 seconds.

For details, consult a Mitsubishi Motors dealer.

On vehicles equipped with Mitsubishi Multi-Communication System, screen operations can be used to make the adjustment.

Refer to the separate owner’s manual for details.

3

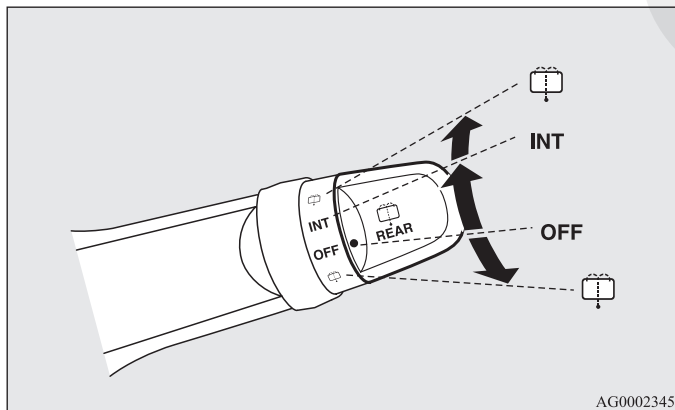


Rear window wiper and washer

N00523200378

The rear window wiper and washer can be operated when the ignition switch is in the "ON" or "ACC" position.


Turn the knob to operate the rear window wiper.



AG0002345

OFF- Off

INT- The wiper operates continuously for several seconds then operates intermittently at intervals of about 8 seconds.

- Washer fluid will be sprayed onto the rear window glass while the knob is turned fully in either direction. When the washer fluid is sprayed, the wiper will automatically operate 2 or 3 times.

NOTE

- The rear window wiper will automatically perform several continuous operations if the selector lever is put in the "R" position while the windshield wipers or the rear window wiper is operating.(automatic operation mode)
After the automatic operation, the rear window wiper will stop operating if the knob is in the "OFF" position. If the knob is in the "INT" position, the rear window wiper will return to the intermittent operation.
It is possible to set the rear window wiper to perform the automatic operation only if the selector lever is put in the "R" position while the rear window wiper is operating with the knob in the "INT" position.
See your authorized Mitsubishi Motors dealer for details.
- If the knob is in the "OFF" position, turn the knob to the "INT" position twice quickly to operate the rear window wiper continuously. (continuous operation mode)
Turn the knob to the "OFF" position to stop the rear window wiper continuous operation.
- The wiper intermittent operation time can be adjusted.
See your authorized Mitsubishi Motors dealer for details.
For vehicles equipped with the Mitsubishi Multi-Communication System, adjustments can be made using screen operations. For further details, refer to the separate owner's manual.
- The washer fluid reservoir is located in the engine compartment.
Check the fluid level regularly and refill if necessary. (Refer to "Washer fluid" on page 7-19.)

Features and controls

Precautions to observe when using wipers and washers

N00523500195

CAUTION

- If the washer is used in cold weather, the washer fluid sprayed onto the glass might freeze, blocking your view. Heat the glass with the defroster before using the washer.

- Replace the wiper blades when they are worn. Use the proper size replacement blades. For further information, please contact your authorized Mitsubishi Motors dealer.

NOTE

3

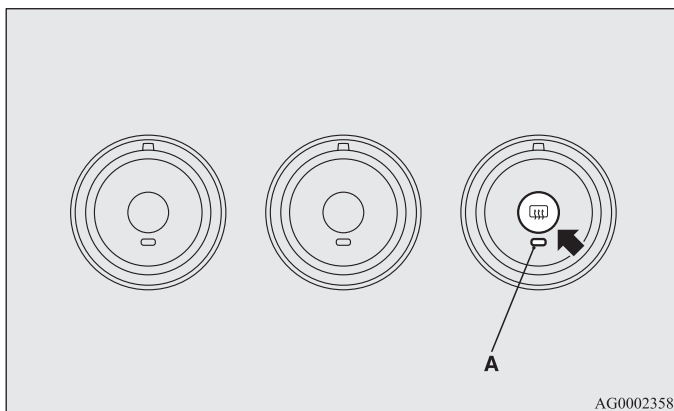
- Do not use the wipers when the windshield is dry. This could scratch the glass and wear the wiper blades prematurely.
- Before using the wipers in cold weather, check to be sure that the wiper blades are not frozen to the windshield or rear window. Using the wipers while the blades are frozen could cause the wiper motor to burn out.
- If the wipers become blocked by ice or other deposits on the glass, the motor may still burn out even if the wiper switch is OFF. If deposits form on the windshield, park your vehicle in a safe place, turn off the engine, and clean the glass so that the wipers can operate smoothly.
- Avoid using the washer for more than 20 seconds at a time. Do not operate the washer when the washer fluid reservoir is empty or the pump may fail.
- During cold weather, add a recommended washer solution that will not freeze in the washer fluid reservoir. Otherwise the washer may not work or may be damaged.

Electric rear window defogger switch

N00523700302

The rear window defogger can be used when the engine is running.

The indicator light (A) will come on when you press the electric rear window defogger switch. Electric current will flow through the heating wires on the rear window to help clear away moisture or frost.



After about 20 minutes of operation, the system will shut off automatically.

To switch the defogger OFF before 20 minutes have passed, press the switch again. The indicator light will go out and the defogger will turn off.

If you need the defogger for more than 20 minutes, press the switch again. This will add 20 more minutes.

CAUTION

- The rear window defogger is not designed to melt snow. Remove any snow manually before using the rear window defogger.
- Use the rear window defogger only after the engine has started and is running. Be sure to turn the defogger switch off immediately after the window is clear to save on battery power.
- Do not place stickers, tape, or other items that are attached with adhesive over the grid wires on the rear window.
- When cleaning the inside rear window, use a soft cloth and wipe lightly over the grid wires.


NOTE

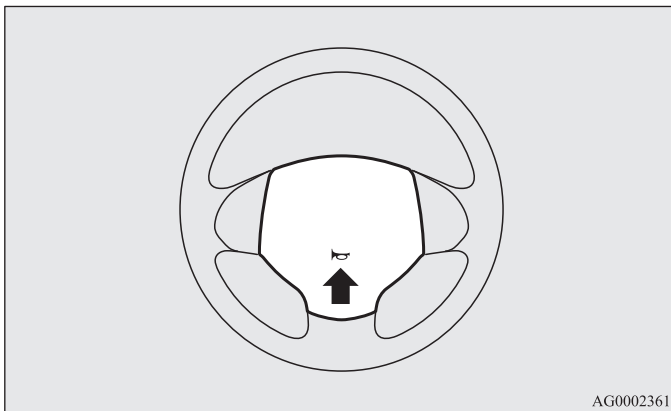
- If your vehicle is equipped with heated mirrors, mist can also be removed from the outside rearview mirrors when the rear window defogger switch is pressed. (Refer to "Door mirror heater" on page 3-88.)

Features and controls

Horn switch

N00523800172

To honk the horn, press around the “” mark on the steering wheel.



Link System (if so equipped)

N00563700027

The Link System takes overall control of the devices connected via the USB input terminal or the Bluetooth® 2.0 interface allowing the connected devices to be operated by using the switches in the vehicle or voice commands.

See the following section for details on how to operate.

Refer to “Bluetooth® 2.0 interface” on page 3-239.

Refer to “USB input terminal” on page 3-264.

Refer to “To play tracks from USB device” on page 5-97.

Refer to “To play tracks from a Bluetooth® device” on page 5-114.

Refer to “To use the external audio input function” on page 5-118.

Bluetooth® is a registered trademark of BLUETOOTH SIG, INC.

Link System End User License Agreement

N00563800015

You have acquired a device that includes software licensed by Mitsubishi Motors Corporation from JOHNSON CONTROLS Inc (the automotive experience business unit), and their subsequent 3rd party suppliers. For a complete list of these 3rd party products and their end user license agreements, please go to the following website.

<http://www.jciblueconnect.com/faq/fulldisclosure.pdf>

Bluetooth® 2.0 interface (if so equipped)

N00563900133

The Bluetooth® 2.0 interface allows for making/receiving hands-free calls in the vehicle using a Bluetooth® compatible cellular phone based on the wireless communication technology commonly known as Bluetooth®. It also allows the user to play music, saved in a Bluetooth® music player, from the vehicle's speakers.

The system is equipped with a voice recognition function, which allows you to make hands-free calls by simple switch operations and voice command operations using a defined voice tree.

The Bluetooth® 2.0 interface can be used when the ignition switch is in the "ON" or "ACC" position.

Before you can use the Bluetooth® 2.0 interface, you must pair the Bluetooth® device and Bluetooth® 2.0 interface. Refer to "Connecting the Bluetooth® 2.0 interface and Bluetooth® device" on page 3-246.

Bluetooth® is a registered trademark of BLUETOOTH SIG, INC.

⚠ WARNING

- Although the Bluetooth® 2.0 interface allows you to make hands-free calls, if you choose to use the cellular phone while driving, you must not allow yourself to be distracted from the safe operation of your vehicle. Anything, including cellular phone usage, that distracts you from the safe operation of your vehicle increases your risk of an accident.
- Refer to and comply with all state and local laws in your area regarding cellular phone usage while driving.

NOTE

- If the ignition switch is left in the "ACC" position, the accessory power will automatically turn off after a certain period of time and you will no longer be able to use the Bluetooth® 2.0 interface. The accessory power comes on again if the ignition switch is turned from the "ACC" position. Refer to "ACC power auto-cutout function" on page 3-90.
- The Bluetooth® 2.0 interface cannot be used if the Bluetooth® device has a dead battery or the device power is turned off.
- Hands-free calls will not be possible if your phone does not have service available.
- If you place the Bluetooth® device in the vehicle's third seat or luggage compartment, you may not be able to use the Bluetooth® 2.0 interface.

Features and controls

- Some Bluetooth® devices are not compatible with the Bluetooth® 2.0 interface.
- You can confirm the Link System software version by pressing the HANG-UP button 3 times (press and hold 2 times and then press briefly) within 10 seconds.
- For detail of the Bluetooth® 2.0 interface, refer to the following web site:
 [For vehicles sold in U.S.A.]
 You can see to access the MITSUBISHI MOTORS NORTH AMERICA web site.
 [For vehicles sold in Canada and Mexico]
 You can see to access via the MITSUBISHI MOTORS web site.
 Please read and agree the “Warning about Links to the Web Sites of Other Companies” because it connects other than MITSUBISHI MOTORS web site.
<http://www.mitsubishi-motors.com/en/products/index.html>
- Software updates by cellular phone/digital audio device manufacturers may change/alter device connectivity.

Steering control switch → P.3-240

Voice recognition function → P.3-242

Useful voice commands → P.3-243

Speaker enrollment function → P.3-245

Connecting the Bluetooth® 2.0 interface and the Bluetooth® device → P.3-246

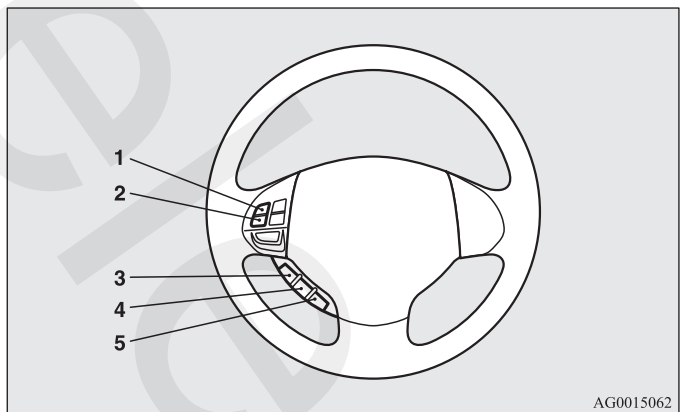
Operating a music player connected via Bluetooth® → P.3-251

How to make or receive hands-free calls → P.3-251

Phonebook function → P.3-255

Steering control switch

N0056400014



AG0015062

- 1- Volume up button
- 2- Volume down button
- 3- SPEECH button
- 4- PICK-UP button
- 5- HANG-UP button

Volume up button

Press this button to increase the volume.

Volume down button

Press this button to decrease the volume.

SPEECH button

- Press this button to change to voice recognition mode. While the system is in voice recognition mode, “Listening” will appear on the audio display.
- If you press the button briefly while in voice recognition mode, it will interrupt prompting and allow voice command input. Pressing the button longer will deactivate the voice recognition mode.
- Pressing this button briefly during a call will enable voice recognition and allow voice command input.

PICK-UP button

- Press this button when an incoming call is received to answer the telephone.
- When another call is received during a call, press this button to put the first caller on hold and talk to the new caller.
 - In such circumstances, you can press the button briefly to switch between callers. You will switch to the first caller and the other caller will be put on hold.
 - To establish a three-way call in such situations, press the SPEECH button to enter voice recognition mode and then say “Join calls.”

HANG-UP button

- Press this button when an incoming call is received to refuse the call.
- Press this button during a call to end the current call. When another call is on hold, you will switch to that call.
- If this button is pressed in the voice recognition mode, the voice recognition mode will be deactivated.

NOTE

- When you press the SPEECH button to enter voice recognition mode with a cellular phone paired to the system, current information on the cellular phone, such as “remaining battery life,” “signal strength” or “roaming,” will be displayed on the audio display.*
*: Some cellular phones will not send this information to the Bluetooth® 2.0 interface.
- Call waiting and three-way calls can be used by the Bluetooth® 2.0 interface, only if it is possible to use those services with your cellular phone.

Features and controls

Voice recognition function

N00564100044

The Bluetooth[®] 2.0 interface is equipped with a voice recognition function.

Simply say voice commands and you can perform various operations and make or receive hands-free calls.

With the Bluetooth[®] 2.0 interface, voice recognition is possible for US English, North American Spanish and Canadian French. The factory setting is “English.”

NOTE

- If the voice command that you say differs from the pre-defined command or cannot be recognised due to ambient noise or some other reason, the Bluetooth[®] 2.0 interface will ask you for the voice command again up to 3 times.
- For best performance and further reduction of ambient noise, the vehicle windows should be closed while engaging the voice recognition function.
- Some voice commands have alternative commands.
- Depending on the selected language, some functions may not be available.

Selecting the language

1. Press the SPEECH button.
2. Say “Setup.”
3. Say “Language.”
4. The voice guide will say “Select a language: English, Spanish or French.” Say the desired language. (Example: “English”)
5. The voice guide will say “English (Spanish or French) selected. Is this correct?” Say “Yes.”
If you say “No,” the system will return to Step 4.

NOTE

- The voice guide will repeat the same message twice. The first message is in the current language, and the second message is in the selected language.
 - If many entries are registered in the vehicle phonebook, changing the language will take a longer time.
 - Changing the language deletes the mobile phonebook imported to the Bluetooth[®] 2.0 interface. If you wish to use it, you will have to import it again.
6. When the voice guide says “English (Spanish or French) selected,” the language change process will be completed and the system will return to the main menu.

Useful voice commands

Help function

N00564200016

The Bluetooth® 2.0 interface is equipped with a help function. If you say “Help” when the system is waiting for a voice command input, the system will tell you a list of the commands that can be used under the circumstances.

Canceling

N00564300017

There are 2 cancel functions. If you are at the main menu, say “Cancel” to exit from the Bluetooth® 2.0 interface. If you are anywhere else within the system, say “Cancel” to return to the main menu.

Confirmation function setting

N00564500019

The Bluetooth® 2.0 interface is equipped with a confirmation function.

With the confirmation function activated, you are given more opportunities than normal to confirm a command when making various settings to the Bluetooth® 2.0 interface. This allows you to decrease the possibility that a setting is accidentally changed.

The confirmation function can be turned on or off by following the steps below.

1. Press the SPEECH button.
2. Say “Setup.”
3. Say “Confirmation prompts.”
4. The voice guide will say “Confirmation prompts are <on/off>. Would you like to turn confirmation prompts <off/on>.”
Answer “Yes” to change the setting or answer “No” to keep the current setting.
5. The voice guide will say “Confirmation prompts are <off/on>” and then the system will return to the main menu.

Security function

N00564600078

It is possible to use a passcode as a security function by setting a passcode of your choice for the Bluetooth® 2.0 interface.

When the security function is turned on, it is necessary to make a voice input of a 4-digit passcode in order to use all functions of the Bluetooth® 2.0 interface, except for reception.

Features and controls

Setting the passcode

Use the following procedure to turn on the security function by setting a passcode.

1. Press the SPEECH button.
2. Say "Setup."
3. Say "Passcode."
4. The voice guide will say "Passcode is disabled. Would you like to enable it?" Answer "Yes."
Answer "No" to cancel the setting of the passcode and return to the main menu.
5. The voice guide will say "Please say a 4-digit passcode. Remember this passcode. It will be required to use this system."
Say a 4-digit number which you want to set as a passcode.
6. For confirmation purposes, the voice guide will say "Passcode <4-digit passcode>. Is this correct?" Answer "Yes."
Answer "No" to return to the passcode input in Step 5.
7. When the registration of the passcode is completed, the voice guide will say "Passcode is enabled" and the system will return to the main menu.

NOTE

- Passcode will be required to access the system after the next ignition cycle.
- Allow a short time after entering the passcode, for it to record into the system. If the engine is started or the ignition switch is turned to "ACC" or "ON" too soon, you must re-enter the passcode.

Entering the passcode

If a passcode has been set and the security function is enabled, the voice guide will say "Hands-free system is locked. State the

passcode to continue" when the SPEECH button is pressed to enter voice recognition mode. Say the 4-digit passcode number to enter the passcode.

If the entered passcode is wrong, the voice guide will say "<4-digit passcode>, Incorrect passcode. Please try again." Enter the correct passcode.

NOTE

- You can reenter the passcode as many times as you want.
- If you have forgotten your passcode, say "Cancel" to quit the voice input mode and then check with an authorized Mitsubishi Motors dealer.

Disabling the passcode

Use the following procedure to turn off the security function by disabling the passcode.

NOTE

- System must be unlocked to disable the passcode.

1. Press the SPEECH button.
2. Say "Setup."
3. Say "Passcode."
4. The voice guide will say "Passcode is enabled. Would you like to disable it?" Answer "Yes."
Answer "No" to cancel the disabling of the passcode and return to the main menu.
5. When the disabling of the passcode is completed, the voice guide will say "Passcode is disabled" and the system will return to the main menu.

Speaker enrollment function

N00564700011

The Bluetooth[®] 2.0 interface can use the speaker enrollment function to create a voice model for one person per language.

This makes it easier for the Bluetooth[®] 2.0 interface to recognise voice commands said by you.

You can turn a voice model registered with the speaker enrollment function on and off whenever you want.

Speaker enrollment

N00564800041

It takes about 2 to 3 minutes to complete the speaker enrollment process.

To ensure the best results, run through the process while in the driver's seat, in an environment that is as quiet as possible (when there is no rain or strong winds and the vehicle windows are closed). Please turn off your phone while in speaker enrollment to prevent interruption of the process.

Use the following procedure for speaker enrollment.

1. Stop your vehicle in a safe area, put the selector lever in the "P" (PARK) position and pull the parking brake lever.

NOTE

- Speaker enrollment is not possible unless the vehicle is parked. Make sure you park the vehicle in a safe area before attempting speaker enrollment.

2. Press the SPEECH button.
3. Say "Voice training."

4. The voice guide will say "This operation must be performed in a quiet environment while the vehicle is stopped. See the owner's manual for the list of required training phrases. Press and release the SPEECH button when you are ready to begin. Press the HANG-UP button to cancel at any time."
Press the SPEECH button to start the speaker enrollment process.

NOTE

- If you do not start the speaker enrollment process within 3 minutes after pressing the SPEECH button, the speaker enrollment function will time out.

The voice guide will say "Speaker enrollment has timed out." The system will then beep and the voice recognition mode will be deactivated.

5. The voice guide will prompt for phrase 1. Repeat the corresponding phrase listed in table "Enrollment commands" on page 3-264.

The system will register your voice and then move on to the registration of the next command. Continue the process until all phrases have been registered.

NOTE

- To repeat the most recent voice training command, press and release the SPEECH button.
- If you press the HANG-UP button anytime during the process, the system will beep and stop the speaker enrollment process.

Features and controls

6. When all enrollment commands have been read out, the voice guide will say “Speaker enrollment is complete.” The system will then end the speaker enrollment process and return to the main menu.

NOTE

- Completing the speaker enrollment process will turn on the voice model automatically.
- The commands “Help” and “Cancel” will not work in this mode.

Enabling and disabling the voice model and retraining

N00564900026

You can turn a voice model registered with the speaker enrollment function on and off whenever you want.

You can also retrain the system.

Use the following procedure to perform these actions.

1. Press the SPEECH button.
2. Say “Voice training.”
3. If you have completed a speaker enrollment process once already, the voice guide will say either “Enrollment is enabled. Would you like to disable or retrain?” or “Enrollment is disabled. Would you like to enable or retrain?”
4. When enrollment is “enabled,” the voice model is on; when enrollment is “disabled,” the voice model is off. Say the command that fits your needs.
Say “Retrain” to start the speaker enrollment process and recreate a new voice model. (Refer to “Speaker enrollment” on page 3-245.)

Connecting the Bluetooth® 2.0 interface and Bluetooth® device

N00565000154

Before you can make or receive hands-free calls or play music using the Bluetooth® 2.0 interface function, you must pair the Bluetooth® device and Bluetooth® 2.0 interface.

NOTE

- Pairing is required only when the device is used for the first time. Once the device has been paired with the Bluetooth® 2.0 interface, all you need is to bring the device into the vehicle next time and the device will connect to the Bluetooth® 2.0 interface automatically (if supported by the device). The device must have Bluetooth® turned ON to connect.

Up to 7 Bluetooth® devices can be paired with the Bluetooth® 2.0 interface.

If multiple paired Bluetooth® devices are available in the vehicle, the cellular phone or music player most recently connected is automatically connected to the Bluetooth® 2.0 interface.

You can also change a Bluetooth® device to be connected.

Features and controls

To pair

To pair a Bluetooth® device with the Bluetooth® 2.0 interface, follow the steps below.

1. Stop your vehicle in a safe area, put the selector lever in the "P" (PARK) position and pull the parking brake lever.

NOTE

- You cannot pair any Bluetooth® device with the Bluetooth® 2.0 interface unless the vehicle is parked. Before pairing a Bluetooth® device with the Bluetooth® 2.0 interface, confirm that the vehicle is parked in a safe location.

2. Press the SPEECH button.
3. Say "Setup."
4. Say "Pairing Options."
5. The voice guide will say "Select one of the following: pair, edit, delete, or list." Say "Pair."

NOTE

- If 7 devices have already been paired, the voice guide will say "Maximum devices paired" and then the system will end the pairing process. To register a new device, delete one device and then repeat the pairing process. (Refer to "Selecting a device: Deleting a device" on page 3-248.)

6. The voice guide will say "Please say a 4-digit pairing code." Say a 4-digit number.

When the confirmation function is on, the system will confirm whether the number said is acceptable. Answer "Yes."

Answer "No" to return to pairing code selection.

NOTE

- Some Bluetooth® devices require a specific pairing code. Please refer to the device manual for pairing code requirements.
- The pairing code entered here is only used for the Bluetooth® connection certification. It is any 4-digit number the user would like to select. Remember the pairing code as it needs to be keyed into the Bluetooth® device later in the pairing process. Depending on the connection settings of the Bluetooth® device, this code may have to be entered each time you connect the Bluetooth® device to the Bluetooth® 2.0 interface. For the default connection settings, refer to the instructions for the device.

Features and controls

- The voice guide will say “Start pairing procedure on the device. See the device manual for instructions.” Enter in the Bluetooth[®] device the 4-digit number you have registered in Step 6.

NOTE

- If the Bluetooth[®] 2.0 interface cannot recognize the Bluetooth[®] device, the voice guide will say “Pairing has timed out” and the pairing process will be cancelled. Confirm that the device you are pairing supports Bluetooth[®], and try pairing it again.
- If you enter the wrong number, the voice guide will say “Pairing failed” and the pairing process will be cancelled. Confirm the number is right, and try pairing it again.

- The voice guide will say “Please say the name of the device after the beep.” You can assign a desired name for the Bluetooth[®] device and register it as a device tag. Say the name you want to register after the beep.

NOTE

- When the confirmation function is on, after repeating the device tag you have said, the voice guide will ask “Is this correct?” Answer “Yes.”
To change the device tag, answer “No” and then say the device tag again.
- The voice guide will say “Pairing complete,” after which a beep will be played and the pairing process will end.

Selecting a device

N00565100038

If multiple paired Bluetooth[®] devices are available in the vehicle, the cellular phone or music player most recently connected is automatically connected to the Bluetooth[®] 2.0 interface.

You can connect to the other paired cellular phone or music player by following setting change procedures.

To select a cellular phone

- Press the SPEECH button.
- Say “Setup.”
- Say “Select phone.”
- After the voice guide says “Please say,” the numbers of the cellular phones and device tags of corresponding cellular phones will be read out in order, starting with the cellular phone that has been most recently connected.
Say the number of the cellular phone that you want to connect to.
When the confirmation function is on, the system will ask you again whether the phone that you want to connect to is correct. Answer “Yes” to continue and connect to the cellular phone.
Answer “No,” and the voice guide will say “Please say.”
Say the number of the phone that you want to connect to.

NOTE

- You can connect to a phone at any time by pressing the SPEECH button and saying the number, even before all of the paired numbers and device tags of corresponding cellular phones are read out by the system.

5. The selected phone will be connected to the Bluetooth[®] 2.0 interface. The voice guide will say “<device tag> selected” and then the system will return to the main menu.

To select a music player

1. Press the SPEECH button.
2. Say “Setup.”
3. Say “Select music player.”
4. After the voice guide says “Please say,” the numbers of the music players and device tags of corresponding music players will be read out in order, starting with the music player that has been most recently connected.

Say the number of the music player that you want to connect to.

When the confirmation function is on, the system will ask you again whether the music player that you want to connect to is correct. Answer “Yes” to continue and connect to the music player.

Answer “No,” and the voice guide will say “Please say.” Say the number of the music player that you want to connect to.

NOTE

- You can connect to a music player at any time by pressing the SPEECH button and saying the number, even before all of the paired numbers and device tags of corresponding music players are read out by the system.

Features and controls

5. The selected music player will be connected to the Bluetooth[®] 2.0 interface. The voice guide will say “<device tag> selected” and then the system will return to the main menu.

Deleting a device

Use the following procedure to delete a paired Bluetooth[®] device from the Bluetooth[®] 2.0 interface.

1. Press the SPEECH button.
2. Say “Setup.”
3. Say “Pairing Options.”
4. The voice guide will say “Select one of the following: pair, edit, delete, or list.” Say “Delete.”
5. After the voice guide says “Please say,” the numbers of the devices and device tags of corresponding devices will be read out in order, starting with the device that has been most recently connected. After it completes reading all pairs, the voice guide will say “or all.” Say the number of the device that you want to delete from the system. If you want to delete all paired phones from the system, say “All.”
6. For confirmation purposes, the voice guide will say “Deleting <device tag> <number>. Is this correct?” or “Deleting all devices. Is this correct?” Answer “Yes” to delete the phone(s). Answer “No,” the system will return to Step 4.

Features and controls

7. The voice guide will say “Deleted,” and then the system will end the device deletion process.

NOTE

- If the device deletion process fails for some reason, the voice guide will say “Delete failed” and then the system will cancel deleting the device.

To check a paired Bluetooth® device

N00565200013

You can check a paired Bluetooth® device by following the steps below.

1. Press the SPEECH button.
2. Say “Setup.”
3. Say “Pairing Options.”
4. The voice guide will say “Select one of the following: pair, edit, delete, or list.” Say “List.”
5. The voice guide will read out device tags of corresponding devices in order, starting with the Bluetooth® device that has been most recently connected.
6. After the device tags of all paired Bluetooth® devices have been read, the system will say “End of list, would you like to start from the beginning?”
To hear the list again from the beginning, answer “Yes.”
When you are done, answer “No” to return to the main menu.

NOTE

- If you press and release the SPEECH button and say “Continue” or “Previous” while the list is being read, the system will advance or rewind the list.
Say “Continue” to proceed to the device with the next highest number or “Previous” to return to the phone with the previous number.
- You can change the device tag by pressing and releasing the SPEECH button and then saying “Edit” while the list is being read.
- You can change the phone to be connected by pressing and releasing the SPEECH button and then saying “Select phone” while the list is being read.
- You can change the music player to be connected by pressing and releasing the SPEECH button and then saying “Select music player” while the list is being read.

Changing a device tag

N00565300014

You can change the device tag of a paired cellular phone or music player.

Follow the steps below to change a device tag.

1. Press the SPEECH button.
2. Say “Setup.”
3. Say “Pairing Options.”
4. The voice guide will say “Select one of the following: pair, edit, delete, or list.” Say “Edit.”

5. The voice guide will say “Please say,” and read out the numbers of the Bluetooth[®] devices and device tags of corresponding devices in order, starting with the Bluetooth[®] that has been most recently connected.

After all paired device tags have been read, the voice guide will say “Which device, please?” Say the number of the device tag you want to change.

NOTE

● You can press and release the SPEECH button while the list is being read, and immediately say the number of the device tag you want to change.

6. The voice guide will say “New name, please.” Say the name you want to register as a new device tag.

When the confirmation function is on, the voice guide will say “<New device tag>. Is this correct?” Answer “Yes.”

Answer “No,” you can say the new device tag you want to register again.

7. The device tag is changed.

When the change is complete, the voice guide will say “New name saved” and then the system will return to the main menu.

Features and controls

Operating a music player connected via Bluetooth[®]

N00565400015

For the operation of a music player connected via Bluetooth[®], refer to “To play tracks from a Bluetooth[®] device” on page 5-114.

How to make or receive hands-free calls

N00565500045

You can make or receive hands-free calls using a Bluetooth[®] compatible cellular phone connected to the Bluetooth[®] 2.0 interface.

You can also use the phonebooks in the Bluetooth[®] 2.0 interface to make calls without dialing telephone numbers.

To make a call P.3-252

Send function P.3-254

Receiving calls P.3-254

Mute function P.3-255

Switching between hands-free mode and private mode P.3-255

Features and controls

To make a call

You can make a call in the following 3 ways using the Bluetooth® 2.0 interface:

- By saying a telephone number
- By using the Bluetooth® 2.0 interface's phonebook
- By redialing a telephone number

Making a call by using the telephone number

You can make a call by saying the telephone number.

1. Press the SPEECH button.
2. Say "Dial."
3. After the voice guide says "Number please," say the telephone number.
4. The voice guide will say "Dialing <number recognized>."

The Bluetooth® 2.0 interface will then make the call. When the confirmation function is on, the system will confirm the telephone number again. To continue with that number, answer "Yes."

To change the telephone number, answer "No." The system will say "Number please" then say the telephone number again.

NOTE

- In the case of English, the system will recognise both "zero" and "oh" (Letter "o") for the number "0."
- The Bluetooth® 2.0 interface supports numbers (0 to 9) and characters (+, # and *).

- The maximum supported telephone number length is as follows:

- International telephone number: + and telephone numbers (to 18 digits).
- Except for international telephone number: telephone numbers (to 19 digits).

Making a call using a phonebook

You can make calls using the vehicle phonebook or mobile phonebook of the Bluetooth® 2.0 interface.

For details on the phonebooks, refer to "Phonebook function" on page 3-255.

1. Press the SPEECH button.
2. Say "Call."

NOTE

- If you say "Call" when the vehicle phonebook and the mobile phonebook are empty, the voice guide will say "The vehicle phonebook is empty. Would you like to add a new entry now?" Answer "Yes," and the voice guide will say "Entering the phonebook - new entry menu." You can now create data in the vehicle phonebook. Answer "No," the system will return to the main menu.
3. After the voice guide says "Name please," say the name you want to call, from those registered in the phonebook.

4. If there is only 1 match, the system will proceed to Step 5. If there are 2 or more matches, the voice guide will say “More than one match was found, would you like to call <returned name>.” If that person is the one you want to call, answer “Yes.” Answer “No,” the name of the next matching person will be uttered by the voice guide.

NOTE

- If you say “No” to all names read by the system, the voice guide will say “Name not found, returning to main menu” and the system will return to the main menu.

Features and controls

5. If only 1 telephone number is registered under the name you just said, the voice guide will proceed to Step 6. If 2 or more telephone numbers are registered that match the name you just said, the voice guide will say “Would you like to call <name> at [home], [work], [mobile], or [other]?” Select the location to call.

NOTE

- If the name you selected has matching data in the vehicle phonebook but no telephone number is registered under the selected location, the voice guide will say “{home/work/mobile/other} not found for <name>. Would you like to add location or try again?” Say “Try again,” and the system will return to Step 3. Say “Add location” and you can register an additional telephone number under the selected location.
- If the name you selected has matching data in the mobile phonebook but no telephone number is registered under the selected location, the voice guide will say “{home/work/mobile/other} not found for <name>. Would you like to try again?” Answer “Yes,” and the system will return to Step 3. Answer “No,” and the call will be cancelled. Start over again from Step 1.

Features and controls

6. The voice guide will say “Calling <name> <location>” and then the system will dial the telephone number.

NOTE

- When the confirmation function is on, the system will check if the name and location of the receiver are correct. If the name is correct, answer “Yes.” To change the name or location to call, answer “No.” The system will return to Step 3.

Redialing

You can redial the last number called, based on the history of dialed calls in the paired cellular phone.

Use the following procedure to redial.

1. Press the SPEECH button.
2. Say “Redial.”

Send function

N00565700018

During a call, press the SPEECH button to enter voice recognition mode, then say “<numbers> SEND” to generate DTMF tones.

For example, if during a call you need to simulate the pressing of a phone button as a response to an automated system, press the SPEECH button and speak “1 2 3 4 pound send” and the 1234# will be sent via your cellular phone.

Receiving calls

N00565800019

If an incoming phone call is received while the ignition switch is in the “ACC” or “ON” position, the audio system will be automatically turned on and switched to the incoming call, even when the audio system was originally off.

The voice guide announcement for the incoming call will be output from the front passenger’s seat speaker.

If the CD player or radio was playing when the incoming call was received, the audio system will mute the sound from the CD player or radio and output only the incoming call.

To receive the call, press the PICK-UP button on the steering wheel control switch.

When the call is over, the audio system will return to its previous state.

Mute function

N0056590010

At any time during a call, you can mute the vehicle microphone.

Pressing the SPEECH button and then saying “Mute” during a call will turn ON the mute function and mute the microphone. Saying “Mute off” in the same way will turn off the mute function and cancel the mute on the microphone.

Switching between hands-free mode and private mode

N0056660014

The Bluetooth® 2.0 interface can switch between hands-free mode (hands-free calls) and private mode (calls using cellular phone).

If you press the SPEECH button and say “Transfer call” during a hands-free call, you can stop the hands-free mode and talk in private mode.

To return to hands-free mode, press the SPEECH button again and say “Transfer call.”

Phonebook function

N0056600018

The Bluetooth® 2.0 interface has 2 types of unique phonebooks that are different from the phonebook stored in the cellular phone. They are the vehicle phonebook and the mobile phonebook.

These phonebooks are used to register telephone numbers and make calls to desired numbers via voice recognition function.

NOTE

- Disconnecting the battery cable will not delete information registered in the phonebook.

Vehicle phonebook

N00566100051

This phonebook is used when making calls with the voice recognition function.

Up to 32 names can be registered in the vehicle phonebook per language.

Also, each entry has 4 locations associated with: home, work, mobile and other. You can register one telephone number for each location.

You can register a desired name as a name for any phonebook entry registered in the vehicle phonebook.

Names and telephone numbers can be changed later on.

The vehicle phonebook can be used with all paired cellular phones.

Features and controls

To register a telephone number in the vehicle phonebook

You can register a telephone number in the vehicle phonebook in the following 2 ways: Reading out a telephone number, and selecting and transferring 1 phonebook entry from the phonebook of the cellular phone.

To register by reading out a telephone number

1. Press the SPEECH button.
2. Say "Phonebook."
3. The voice guide will say "Select one of the following: new entry, edit number, edit name, list names, delete, erase all, or import contact." Say "New entry."
4. The voice guide will say "Name please." Say your preferred name to register it.

NOTE

- If the maximum number of entries are already registered, the voice guide will say "The phonebook is full. Would you like to delete a name?" Say "Yes" if you want to delete a registered name.
If you say "No," the system will return to the main menu.
- 5. When the name has been registered, the voice guide will say "home, work, mobile, or other?" Say the location for which you want to register a telephone number.

NOTE

- When the confirmation function is on, the voice guide will say "<Location>. Is this correct?" Answer "Yes."
If a telephone number has been registered for the selected location, the voice guide will say "The current number is <telephone number>, number please."
If you do not want to change the telephone number, say "cancel" or the original number to keep it registered.

6. The voice guide will say "Number please." Say the telephone number to register it.

NOTE

- In the case of English, the system will recognise both "zero" and "oh" (Letter "o") for the number "0."
- 7. The voice guide will repeat the telephone number you have just read, and then register the number.
When the telephone number has been registered, the voice guide will say "Number saved. Would you like to add another number for this entry?"
To add another telephone number for a new location for the current entry, answer "Yes." The system will return to location selection in Step 5.
Answer "No" to end the registration process and return to the main menu.

NOTE

- When the confirmation function is on, after repeating the telephone number you have read, the voice guide will ask "Is this correct?" Answer "Yes."
Answer "No" to return to telephone number registration in step 6.

Features and controls

To select and transfer one phonebook entry from the phonebook of the cellular phone

You can select 1 phonebook entry from the phonebook of the cellular phone and register it in the vehicle phonebook.

NOTE

- Transfer is not permitted unless the vehicle is parked. Before transferring, make sure that the vehicle is parked in a safe location.
- All or part of data may not be transferred, even when the cellular phone supports Bluetooth[®], depending on the compatibility of the device.
- The maximum supported telephone number length is 19 digits. Any telephone number of 20 digits or more will be truncated to the first 19 digits.
- If telephone numbers contain characters other than 0 to 9, *, # or +, these characters are deleted before the transfer.
- For the connection settings on the cellular phone side, refer to the instructions for the cellular phone.

1. Press the SPEECH button.
2. Say "Phonebook."
3. The voice guide will say "Select one of the following: new entry, edit number, edit name, list names, delete, erase all, or import contact." Say "Import contact."

4. The voice guide will say "Would you like to import a single entry or all contacts?" Say "Single entry."

The Bluetooth[®] 2.0 interface will become ready to receive transferred phonebook data.

NOTE

- If the maximum number of entries are already registered, the voice guide will say "The phonebook is full. Would you like to delete a name?" Say "Yes" if you want to delete a registered name. If you say "No," the system will return to the main menu.

5. After the voice guide says "Ready to receive a contact from the phone. Only a home, a work, and a mobile number can be imported," the Bluetooth[®] 2.0 interface will receive the phonebook data from the Bluetooth[®] compatible cellular phone.

6. Operate the Bluetooth[®] compatible cellular phone to set it up so that the phonebook entry you want to register in the vehicle phonebook can be transferred to the Bluetooth[®] 2.0 interface.

NOTE

- If the Bluetooth[®] 2.0 interface cannot recognise the Bluetooth[®] compatible cellular phone or the connection takes too much time, the voice guide will say "Import contact has timed out" and then the system will cancel the registration. In such case, start over again from Step 1.
- Pressing the HANG-UP button or pressing and holding the SPEECH button will cancel the registration.

Features and controls

7. When the reception is complete, the voice guide will say “<Number of telephone numbers that had been registered in the import source> numbers have been imported. What name would you like to use for these numbers?”
Say the name you want to register for this phonebook entry.

NOTE

- If the entered name is already used for other phonebook entry or similar to a name used for other phonebook entry, that name cannot be registered.
8. The voice guide will say “Adding <name>.”
When the confirmation function is on, the system will ask if the name is correct. Answer “Yes.”
Answer “No,” the voice guide will say “Name please.”
Register a different name.
9. The voice guide will say “Numbers saved.”
10. The voice guide will say “Would you like to import another contact?”
Answer “Yes” if you want to continue with the registration. You can continue to register a new phonebook entry from Step 5.
Answer “No,” the system will return to the main menu.

- To change the content registered in the vehicle phonebook**
You can change or delete a name or telephone number registered in the vehicle phonebook.
You can also listen to the list of names registered in the vehicle phonebook.

NOTE

- The system must have at least one entry.

[Editing a telephone number]

1. Press the SPEECH button.
2. Say “Phonebook.”
3. The voice guide will say “Select one of the following: new entry, edit number, edit name, list names, delete, erase all, or import contact”. Say “Edit number.”
4. The voice guide will say “Please say the name of the entry you would like to edit, or say list names.” Say the name of the phonebook entry you want to edit.

NOTE

- Say “List names,” and the names registered in the phonebook will be read out in order. Refer to “Vehicle phonebook: Listening to the list of registered names” on page 3-260.
5. The voice guide will say “Home, work, mobile or other?”
Select and say the location where the telephone number you want to change or add is registered.
When the confirmation function is on, the system will check the target name and location again. Answer “Yes” if you want to continue with the editing.
Answer “No,” the system will return to Step 3.

6. The voice guide will say "Number, please." Say the telephone number you want to register.

NOTE

- If the telephone number is already registered in the selected location, the voice guide will say "The current number is <current number>. New number, please." Say a new telephone number to change the current number.

7. The voice guide will repeat the telephone number.
When the confirmation function is on, the system will ask if the number is correct. Answer "Yes."
Answer "No," the system will return to the Step 3.
8. Once the telephone number is registered, the voice guide will say "Number saved" and then the system will return to the main menu.

NOTE

- If the location where a telephone number was already registered has been overwritten with a new number, the voice guide will say "Number changed" and then the system will return to the main menu.

[Editing a name]

1. Press the SPEECH button.
2. Say "Phonebook."
3. The voice guide will say "Select one of the following: new entry, edit number, edit name, list names, delete, erase all, or import contact." Say "Edit name."
4. The voice guide will say "Please say the name of the entry you would like to edit, or say list names." Say the name you want to edit.

NOTE

- Say "List names," and the names registered in the phonebook are read out in order. Refer to "Vehicle phonebook: Listening to the list of registered names" on page 3-260.
5. The voice guide will say "Changing <name>."
When the confirmation function is on, the system will check if the name is correct. Answer "Yes" if you want to continue with the editing based on this information.
Answer "No," the system will return to Step 4.
 6. The voice guide will say "Name please." Say the new name you want to register.
 7. The registered name will be changed.
When the change is complete, the system will return to the main menu.

Features and controls

[Listening to the list of registered names]

1. Press the SPEECH button.
2. Say "Phonebook."
3. The voice guide will say "Select one of the following: new entry, edit number, edit name, list names, delete, erase all, or import contact." Say "List names."
4. Bluetooth® 2.0 interface will read out the entries in the phonebook in order.
5. When the voice guide is done reading the list, it will say "End of list, would you like to start from the beginning?" When you want to check the list again from the beginning, answer "Yes."
When you are done, answer "No" to return to the previous or main menu.

NOTE

- You can call, edit or delete a name that is being read out. Press the SPEECH button and say "Call" to call the name, "Edit name" to edit it, or "Delete" to delete it. The system will beep and then execute your command.
- If you press the SPEECH button and say "Continue" or "Previous" while the list is being read, the system will advance or rewind the list. Say "Continue" to proceed to the next entry or "Previous" to return to the previous entry.

[Deleting a telephone number]

1. Press the SPEECH button.
2. Say "Phonebook."
3. The voice guide will say "Select one of the following: new entry, edit number, edit name, list names, delete, erase all, or import contact." Say "Delete."
4. The voice guide will say "Please say the name of the entry you would like to delete, or say list names." Say the name of the phonebook entry in which the telephone number you want to delete is registered.

NOTE

- Say "List names," and the names registered in the phonebook are read out in order. Refer to "Vehicle phonebook: Listening to the list of registered names" on page 3-260.
- 5. If only one telephone number is registered in the selected phonebook entry, the voice guide will say "Deleting <name> <location>."
If multiple telephone numbers are registered in the selected phonebook entry, the voice guide will say "Would you like to delete [home], [work], [mobile], [other], or all?"
Select the location to delete, and the voice guide will say "Deleting <name> <location>."

NOTE

- To delete the telephone numbers from all locations, say "All."

6. The system will ask if you really want to delete the selected telephone number(s) to go ahead with the deletion, answer “Yes.”
Answer “No,” the system will cancel deleting the telephone number(s) and then return to Step 4.
7. When the telephone number deletion is complete, the voice guide will say “<name> <location> deleted” and then the system will return to the main menu.
If all locations are deleted, the system will say “<name> and all locations deleted” and the name will be removed from the phonebook. If numbers still remain under the entry, the name will retain the other associated numbers.

Features and controls

Erasing the phonebook

You can delete all registered information from the vehicle phonebook.

1. Press the SPEECH button.
2. Say “Phonebook.”
3. The voice guide will say “Select one of the following: new entry, edit number, edit name, list names, delete, erase all, or import contact.” Say “Erase all.”
4. For confirmation purposes, the voice guide will ask “Are you sure you want to erase everything from your hands-free system phonebook?” Answer “Yes.”
Answer “No” to cancel the deletion of all registered information in the phonebook and return to the main menu.
5. The voice guide will say “You are about to delete everything from your hands-free system phonebook. Do you want to continue?” Answer “Yes” to continue.
Answer “No” to cancel the deletion of all registered information in the phonebook and return to the main menu.
6. The voice guide will say “Please wait, erasing the hands-free system phonebook” and then the system will delete all data in the phonebook.
When the deletion is complete, the voice guide will say “Hands-free system phonebook erased” and then the system will return to the main menu.

Features and controls

Mobile phonebook

All entries in the phonebook stored in the cellular phone can be transferred in a batch and registered in the mobile phonebook. Up to 7 mobile phonebooks, each containing up to 1,000 names, can be registered.

The Bluetooth[®] 2.0 interface automatically converts from text to voice the names registered in the transferred phonebook entries, and creates names.

NOTE

- Only the mobile phonebook transferred from the connected cellular phone can be used with that cellular phone.
- You cannot change the names and telephone numbers in the phonebook entries registered in the mobile phonebook. You cannot select and delete specific phonebook entries, either.

To change or delete any of the above, change the applicable information in the source phonebook of the cellular phone and then transfer the phonebook again.

To import a devices phonebook

Follow the steps below to transfer to the mobile phonebook the phonebook stored in the cellular phone.

NOTE

- Transfer should be completed while the vehicle is parked. Before transferring, make sure that the vehicle is parked in a safe location.
- All or part of data may not be transferred, even when the cellular phone supports Bluetooth[®], depending on the compatibility of the device.
- The maximum supported telephone number length is 19 digits. Any telephone number of 20 digits or more will be truncated to the first 19 digits.
- If telephone numbers contain characters other than 0 to 9, *, # or +, these characters are deleted before the transfer.
- For the connection settings on the cellular phone side, refer to the instructions for the cellular phone.

1. Press the SPEECH button.
2. Say "Phonebook."
3. The voice guide will say "Select one of the following: new entry, edit number, edit name, list names, delete, erase all, or import contact." Say "Import contact."
4. The voice guide will say "Would you like to import a single entry or all contacts?" Say "All contacts."

Features and controls

5. The voice guide will say “Importing the contact list from the mobile phonebook. This may take several minutes to complete. Would you like to continue?” Answer “Yes,” transferring to the mobile phonebook the phonebook stored in the cellular phone will start.
Answer “No,” the system will return to the main menu.

NOTE

- The transfer may take some time to complete depending on the number of contacts.
 - If the Bluetooth® 2.0 interface could not be connected to the Bluetooth® compatible cellular phone, the voice guide will say “Unable to transfer contact list from phone” and then the system will return to the main menu.
 - If you press the HANG-UP button or press and hold the SPEECH button during the data transfer, the transfer will be cancelled and the system will return to the main menu.
 - If an error occurs during the data transfer, all transfer will be cancelled and the voice guide will say “Unable to complete the phonebook import” and then the system will return to the main menu.
 - If there are no contacts in the phonebook, the voice guide will say “There are no contacts on the connected phone.”
6. When the transfer is complete, the voice guide will say “Import complete” and then the system will return to the main menu.

General information

N00566300066

MODEL: MMC FCC ID: CB2MDGMY10 IC: 279B-MDGMY10

Your Bluetooth® 2.0 interface operates on a radio frequency subject to Federal Communications Commission (FCC) Rules (For vehicles sold in U.S.A.) and Industry Canada Rules (For vehicles sold in Canada). This device complies with Part 15 of the FCC Rules and RSS-210 of the Industry Canada Rules. Operation is subject to the following two conditions:

- This device may not cause harmful interference.
- This device must accept any interference received, including interference that may cause undesired operation.

⚠ CAUTION

- **Changes or modifications not expressly approved by the manufacturer for compliance could void the user’s authority to operate the equipment.**

The term “IC:” before the radio certification number only signifies that Industry Canada technical specifications were met. The antenna used for this transmitter must not be co-located or operating in conjunction with any other antenna or transmitter. End-users and installers must be provided with installation instructions and transmitter operating conditions for satisfying RF exposure compliance.

Features and controls**Enrollment Commands**

N00566400054

Phrase	English	Spanish	French	Japanese
1	123456789	123456789	123456789	123456789
2	888 555 1212	888 555 1212	888 555 1212	888 555 1212
3	Call	Llamar	Appeler	呼び出し
4	Dial	Marcar	Composer	ダイヤル
5	Setup	Configurar	Configurer	設定
6	Cancel	Cancelar	Annuler	キャンセル
7	Continue	Continuar	Continuer	つぎ
8	Help	Ayuda	Aide	ヘルプ

USB input terminal (if so equipped)

N00566700015

You can connect your USB memory device or iPod* to play music files stored in the USB memory device or iPod.

The following explains how to connect and remove a USB memory device or iPod.

Refer to the following sections for details on how to play music files:

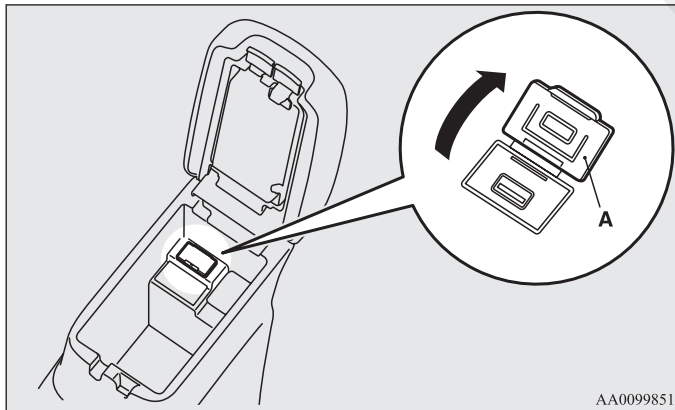
Refer to “To play tracks from USB device” on page 5-97.

*: “iPod” is a registered trademark of Apple Inc. in the United States and other countries.

How to connect a USB memory device

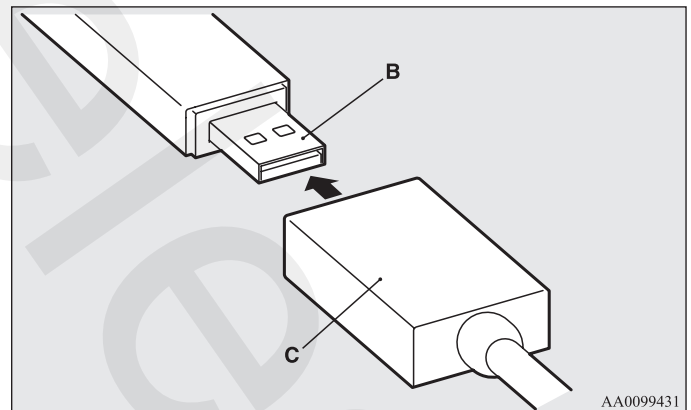
N00566800016

1. Park your vehicle in a safe place and turn the ignition switch to the "LOCK" position.
2. Open the USB input terminal cover (A) in the floor console box.



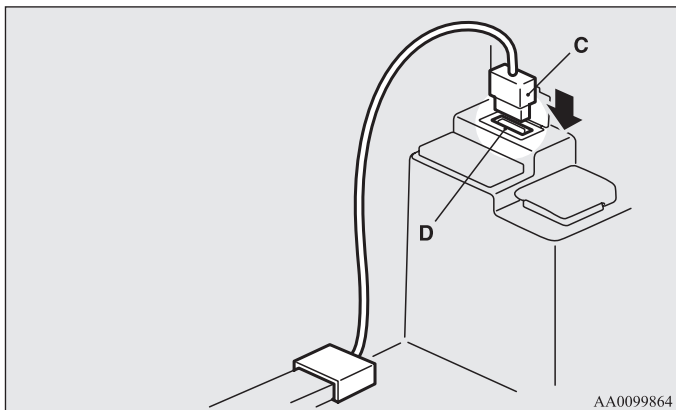
Features and controls

3. Connect the connector cable (C) to the USB memory device (B).



Features and controls

4. Connect the connector cable (C) to the USB input terminal (D).



NOTE

- Do not connect the USB memory device to the USB input terminal directly. The USB memory device may be damaged.
 - When closing the floor console box, be careful not to trap the connector cable.
5. To remove the connector cable, turn the ignition switch to the "LOCK" position first and perform the installation steps in reverse.

CAUTION

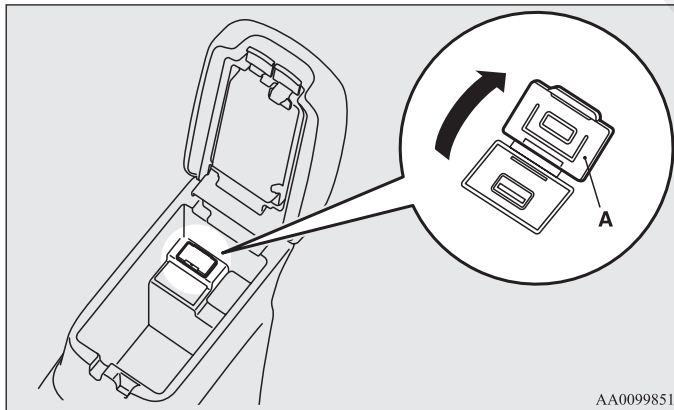
- Keep the lid of the floor console box closed while driving the vehicle. A lid or the contents of the floor console box could otherwise cause injuries.

Features and controls

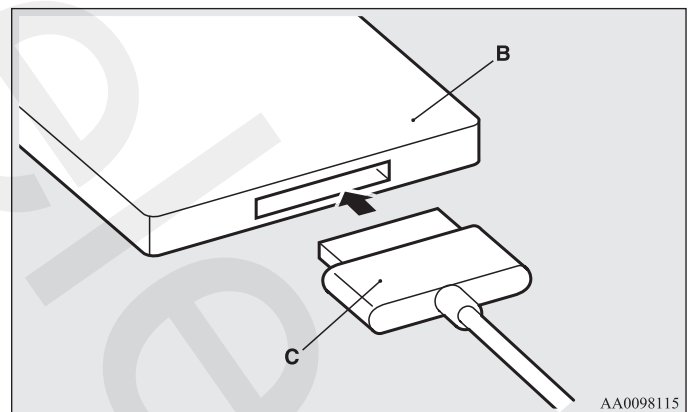
How to connect an iPod

N00566900017

1. Park your vehicle in a safe place and turn the ignition switch to the "LOCK" position.
2. Open the USB input terminal cover (A) in the floor console box.



3. Connect the Dock connector (C) to the iPod (B).

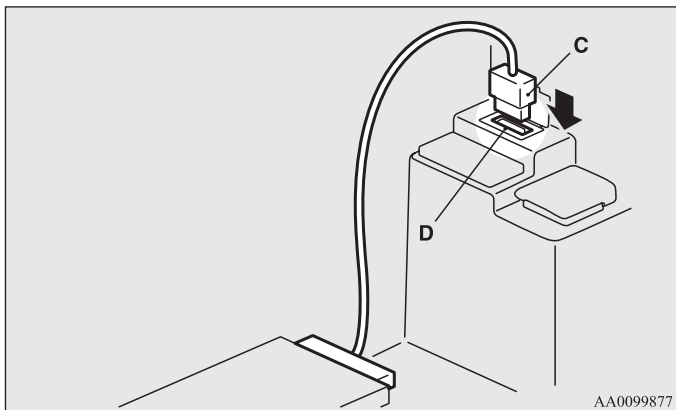


NOTE

- Use a genuine Dock connector from Apple Inc.

Features and controls

4. Connect the Dock connector (C) to the USB input terminal (D).



CAUTION

- Keep the lid of the floor console box closed while driving the vehicle. A lid or the contents of the floor console box could otherwise cause injuries.

NOTE

- When closing the floor console box, be careful not to trap the connector cable.

5. To remove the Dock connector, turn the ignition switch to the "LOCK" position first and perform the installation steps in reverse.

Types of connectable devices and supported file specifications

N0056700015

Device types

N00567100087

Devices of the following types can be connected.

Model name	Condition
USB memory device	Storage capacity of 256 Mbytes or more
iPod touch*	F/W Ver.1.1.1 or later
iPod classic*	F/W Ver.1.0 or later
iPod (fifth generation)*	F/W Ver.1.2.2 or later
iPod nano (fifth generation)*	F/W Ver.1.2 or later
iPod nano (second generation)*	F/W Ver.1.1.2 or later
Models other than USB memory devices and iPods	Digital audio player supporting mass storage class

*: "iPod touch," "iPod classic," "iPod" and "iPod nano" are registered trademarks of Apple Inc. in the United States and other countries.

NOTE

- Depending on the type of the USB memory device or other device connected, the connected device may not function properly or the available functions may be limited.
- It is recommended to use an iPod with firmware updated to the latest version.
- You can charge your iPod by connecting it to the USB input terminal when the ignition switch is in the “ACC” or “ON” position.
- Do not keep your USB memory device or iPod in your vehicle.
- It is recommended that you back up the files in case of data damage.
- Do not connect to the USB input terminal any device (hard disk, card reader, memory reader, etc.) other than the connectable devices specified in the previous section. The device and/or data may be damaged. If any of these devices was connected by mistake, remove it after turning the ignition switch to the “LOCK” position.

File specifications

N00567200017

You can play music files of the following specifications that are saved in a USB memory device or other device supporting mass storage class.

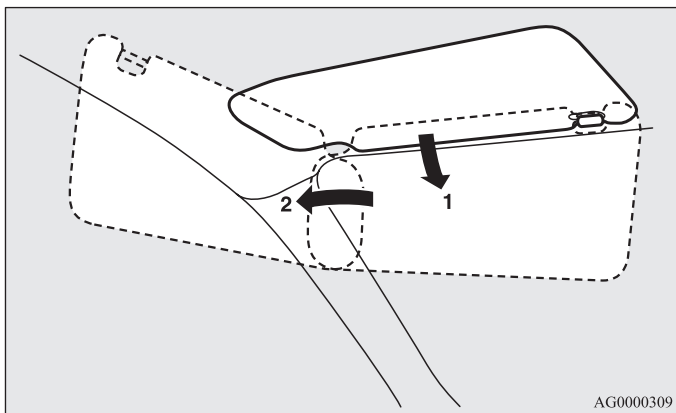
Item	Condition
File format	MP3, WMA, AAC, WAV
Maximum number of levels (including the root)	Level 8
Number of folders	700
Number of files	65,535

Features and controls

Sun visors

N00524600311

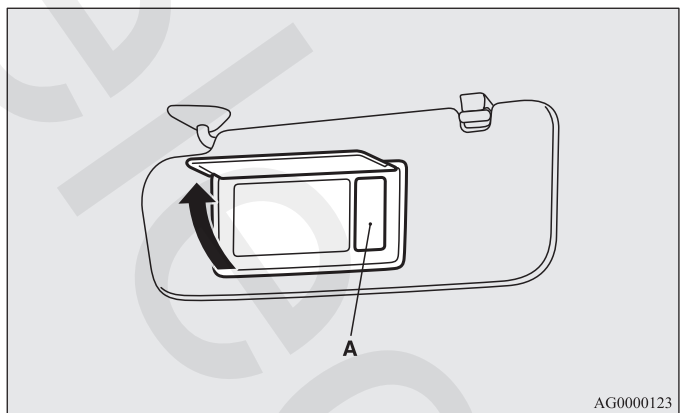
Pull the sun visor downward (1) to reduce front glare while driving. To reduce side glare, turn the visor to the side (2).



Vanity mirror

A vanity mirror is fitted to the back of the sun visor.

Operating the lid of the vanity mirror will automatically turn on the mirror light (A).

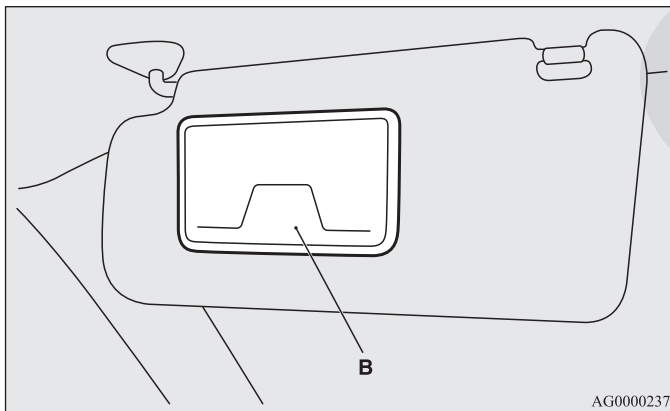


⚠ CAUTION

- If the lid of vanity mirror with light is kept open for prolonged periods of time, the vehicle's battery will be discharged.

Card holder

Cards can be slipped into the holder (B) on the sun visor.



12 V power outlets

N00525000514

⚠ CAUTION

- Be sure to use a “plug-in” type accessory operating at 12 V and at 120 W or less. When using more than one socket at the same time, make sure the total power consumption of the electrical accessories does not exceed 120 W at 12 V.
- Also be aware that using electronic equipment with the engine off may run the battery down.
- When the power outlet is not in use, be sure to close the power outlet cover or replace the cap. This will prevent the power outlet from becoming clogged and short circuiting.

To use a “plug-in” type accessory, open the cover or remove the cap, and insert the plug in the power outlet.

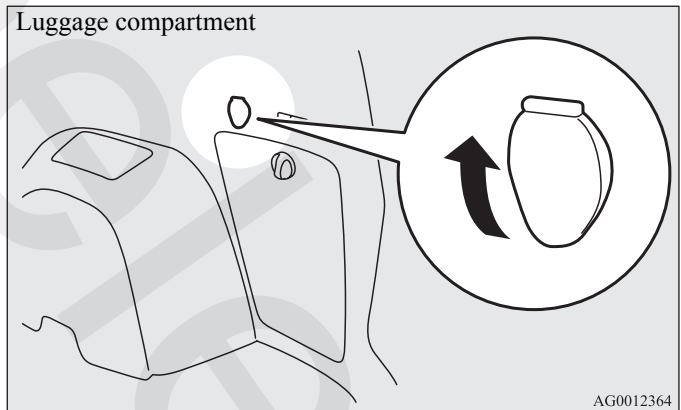
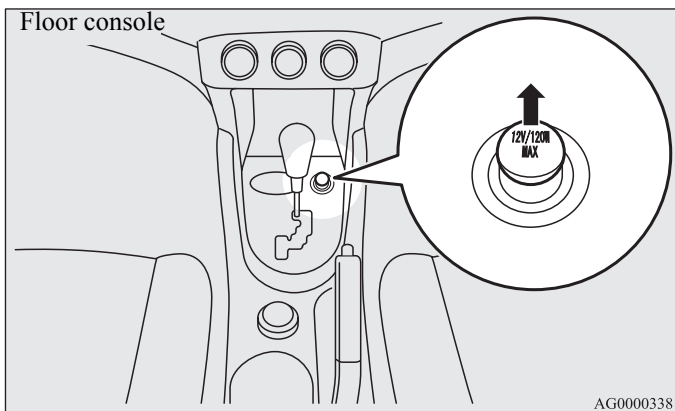
NOTE

- If your vehicle is equipped with three 12V power outlets, they can be used simultaneously.

Features and controls

Type 1

Accessories can be operated when the ignition switch is in either the "ON" or "ACC" position.

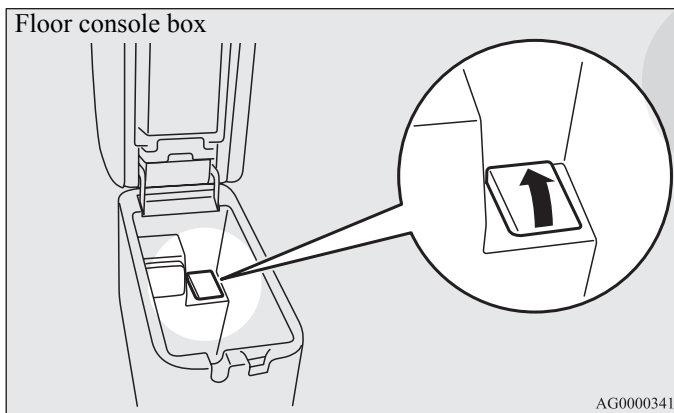


⚠ WARNING

- The hole next to the power outlet in the floor console is not a cup holder. This hole can be used as a personal compartment, but should never be used as a cup holder. Spilling beverages onto the power outlet could cause a short-circuit or an electric shock.

Type 2

Accessories can be operated in all ignition switch positions.



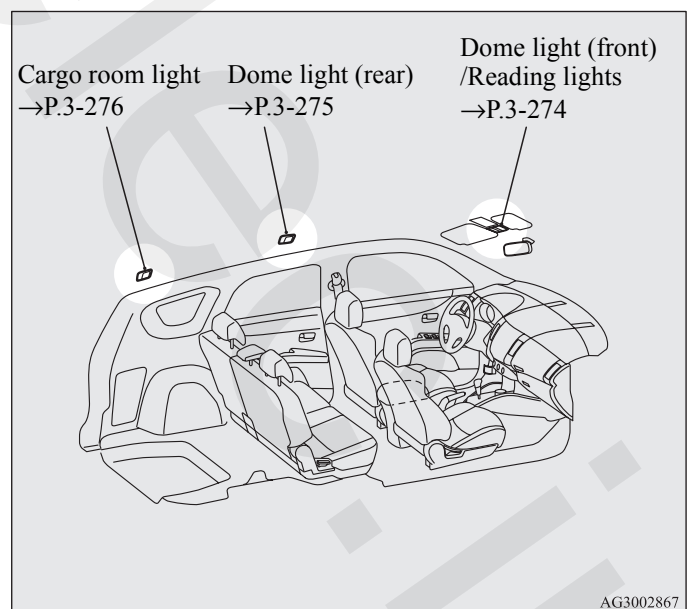
Features and controls

Interior lights

N00525300504

NOTE

- Be aware that leaving the light illuminated with the engine off may run the battery down. Never leave the vehicle without checking that the light is off.

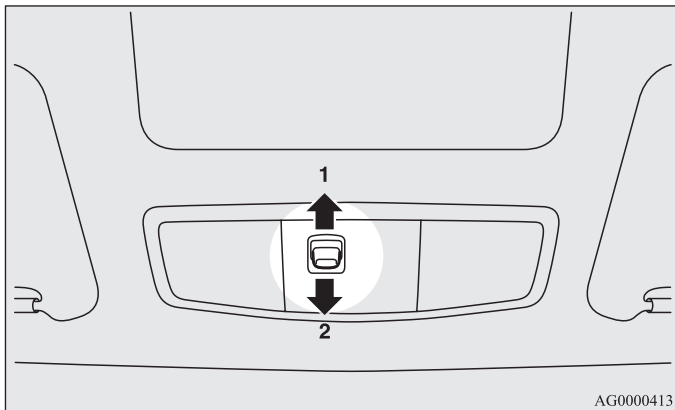


Features and controls

Dome light (front)/Reading lights

N00525400404

Dome light (front)



1- (DOOR)

When any of the doors or the tailgate is opened, the dome light illuminates; when any of them are closed, the dome light goes off after approximately 30 seconds. However, the light goes off immediately if:

- The doors and the tailgate are closed while the ignition switch is in the “ON” position.
- The driver’s door is closed while its lock knob is in the lock position, after all the other doors are closed.
- The doors and the tailgate are closed and the power door lock function is used to lock the doors.
- The keyless entry system remote control transmitter is used to lock the doors.

- In vehicles equipped with the F.A.S.T.-key, the doors and the tailgate are locked using the F.A.S.T.-key.

NOTE

- When the engine is started using the key while the doors and tailgate are closed, if you remove the key, the dome light will illuminate for approximately 30 seconds then go off.
- When the engine is started using the F.A.S.T.-key while the doors and tailgate are closed, if the ignition switch is moved to the “LOCK” position, the dome light will illuminate for approximately 30 seconds and then go off.
- The time until the light goes off can be adjusted. See your authorized Mitsubishi Motors dealer for details. For vehicles equipped with the Mitsubishi Multi-Communication System, adjustments can be made using screen operations. For details, refer to the separate owner’s manual.

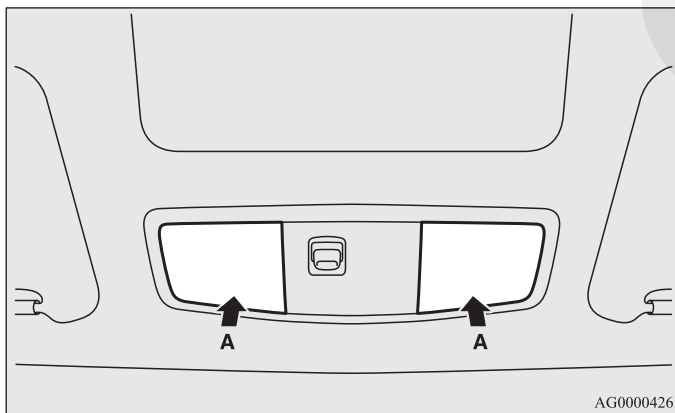
2- (OFF)

The dome light stays off regardless of any door or the tailgate being opened or closed.

Reading lights

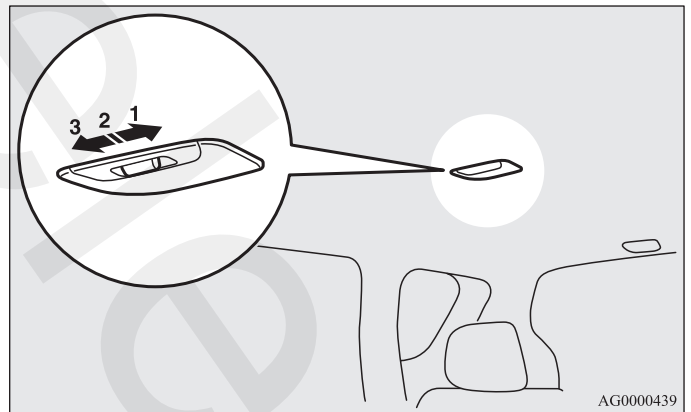
N00537600139

Regardless of the dome light switch position, when you press the lens (A), the light on the side that is pressed illuminates; when you press the lens (A) again, the light goes out.



Dome light (rear)

N00525800176



1- (ON)

The dome light illuminates regardless of any door or the tailgate being opened or closed.

2- (●)

When any of the doors or the tailgate is opened, the dome light illuminates; when any of them are closed, the dome light goes off after approximately 30 seconds. However, the light goes off immediately if:

- The door and the tailgate are closed while the ignition switch is in the "ON" position.
- The driver's door is closed while the its lock knob is in the lock position, after all the other doors are closed.
- The door and the tailgate are closed and the power door lock function is used to lock the doors.

Features and controls

- The keyless entry system remote control transmitter is used to lock the doors.
- In vehicles equipped with the F.A.S.T.-key, the doors and the tailgate are locked using the F.A.S.T.-key.

NOTE

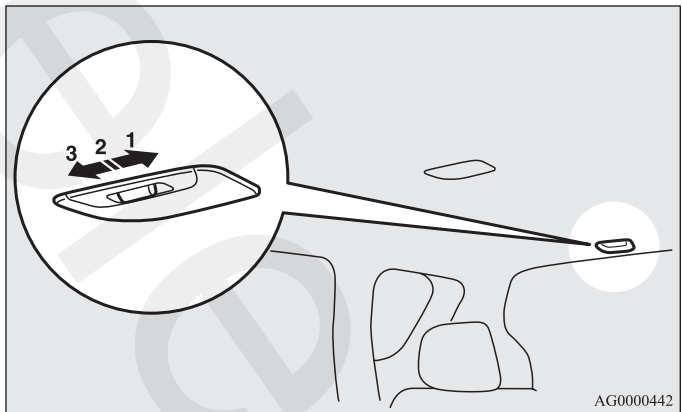
- When the engine is started using the key while the doors and tailgate are closed, if you remove the key, the dome light will illuminate for approximately 30 seconds then go off.
- When the engine is started using the F.A.S.T.-key while the doors and tailgate are closed, if the ignition switch is moved to the "LOCK" position, the dome light will illuminate for approximately 30 seconds and then go off.
- When the dome light switch is in the "ON" position, the light will not go off, even when all the doors and the tailgate are closed.
- The time until the light goes off can be adjusted. See your authorized Mitsubishi Motors dealer for details. For vehicles equipped with the Mitsubishi Multi-Communication System, adjustments can be made using screen operations. For details, refer to the separate owner's manual.

3- (OFF)

The dome light stays off regardless of any door or the tailgate being opened or closed.

Cargo room light

N00526100121



AG0000442

1- (ON)

The cargo room light illuminates regardless of the tailgate being opened or closed.

2- (●)

When the tailgate is opened, the cargo room light illuminates; when it is closed, it goes out.

3- (○)

The cargo room light stays out regardless of the tailgate being opened or closed.

Interior light auto-cutout function (dome light and other lights)

N00526300400

- If interior lights are left on with the ignition switch in the “LOCK” position, the lights go off automatically after approximately 30 minutes.
- The lights come on again if the ignition switch is turned to the “ON” or “ACC” position, if any door or tailgate is opened or closed, or if the keyless entry or F.A.S.T.-key are operated.

NOTE

- The interior light auto-cutout function can be deactivated. The time until the lights automatically go off can be adjusted. See your authorized Mitsubishi Motors dealer for details.

For vehicles equipped with the Mitsubishi Multi-Communication System, adjustments can be made using screen operations. For details, refer to the separate owner’s manual.

Storage spaces

N00526400430

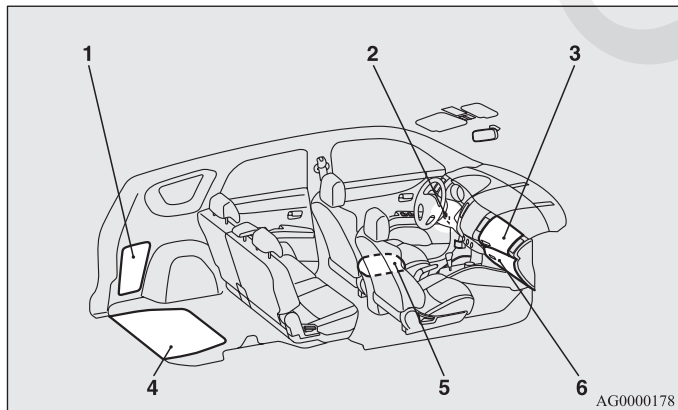
CAUTION

- Never leave lighters, carbonated drink cans, or spectacles in the cabin when parking the vehicle in hot sunshine. The cabin will become extremely hot, so lighters and other flammable items may catch fire and unopened drink cans (including beer cans) may rupture. The heat may also deform or crack plastic spectacle lenses and other spectacle parts that are made of plastic.
- Keep the lids of storage spaces closed while driving the vehicle. A lid or the contents of a storage space could otherwise cause injuries during a sudden stop.

NOTE

- Do not leave valuables in any storage space when leaving the vehicle.

Features and controls



- 1- Quarter trim box (if so equipped)
- 2- Personal compartment
- 3- Upper glove compartment
- 4- Luggage floor box (if so equipped)
- 5- Floor console box
- 6- Lower glove compartment

Glove compartment

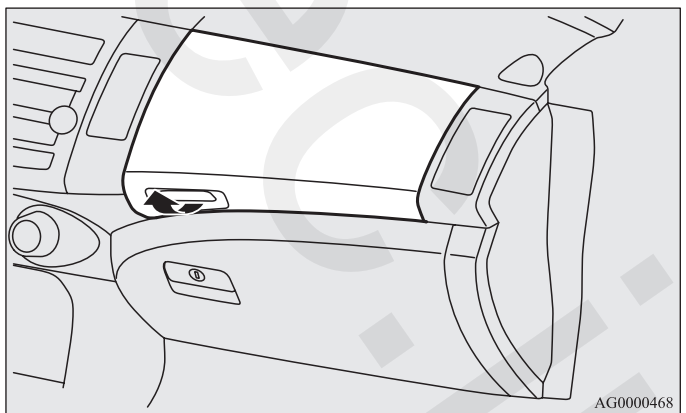
N00551500217

⚠ WARNING

- An open glove compartment door can cause a serious injury or death to the front passenger in an accident, even if the passenger is wearing his/her seat belt. Always keep the glove compartment door closed when driving.

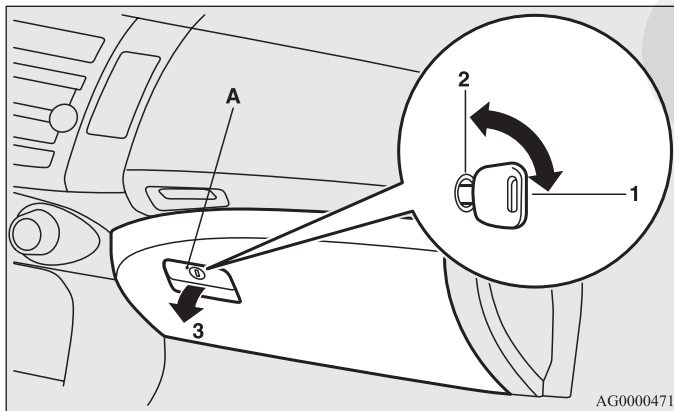
Upper glove compartment

Press the button and lift to open. When closing, press down the lid.



Lower glove compartment

The lower glove compartment can be locked and unlocked using the key.



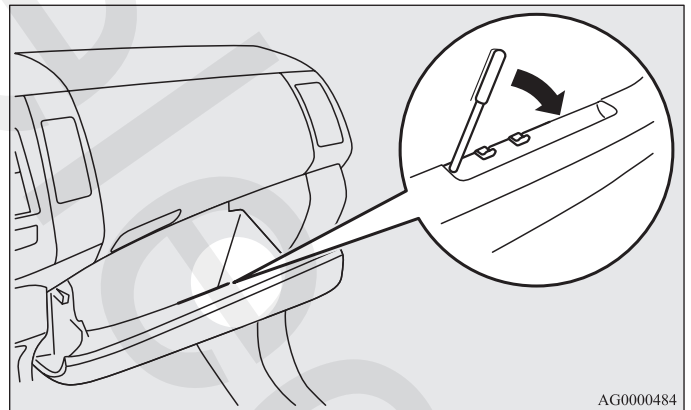
- 1- To lock
- 2- To unlock
- 3- To open, pull the lever (A)

NOTE

- In vehicles equipped with the F.A.S.T.-key, the glove compartment can be locked and unlocked with the emergency key. Refer to “Emergency key” on page 3-35.
- When the lights are illuminated with the light switch in the “”, “” or “AUTO” position (vehicles with automatic light control), the glove compartment light illuminates.

Pen holder

There is a pen holder on the inside of the lower glove compartment.



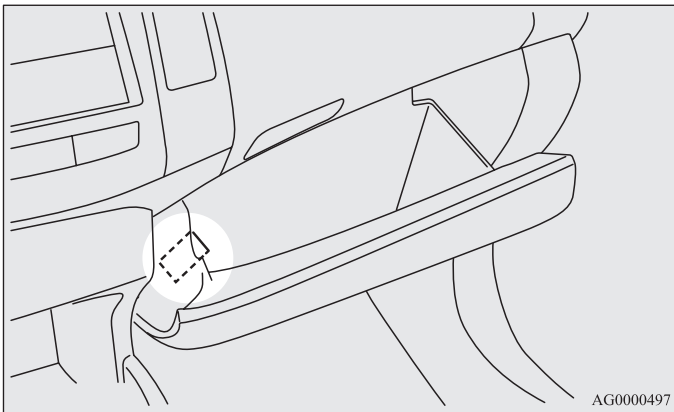
NOTE

- There is a limit to the size of pen that fits. Forcing large pens into the holder could cause damage.

Features and controls

Card holder

There is a card holder on the inside of the lower glove compartment.



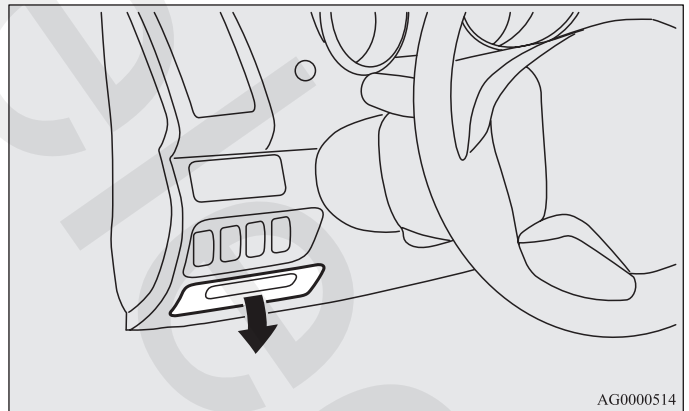
NOTE

- Up to 2 cards will fit in the card holder.

Personal compartment

Pull the lid toward you to open.

N00552100050



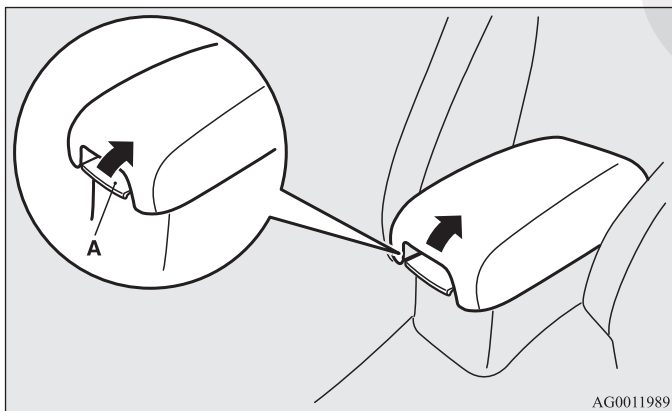
Features and controls

Floor console box

N00551600221

Type1

To open the console box, lift the release lever (A) and raise the lid.

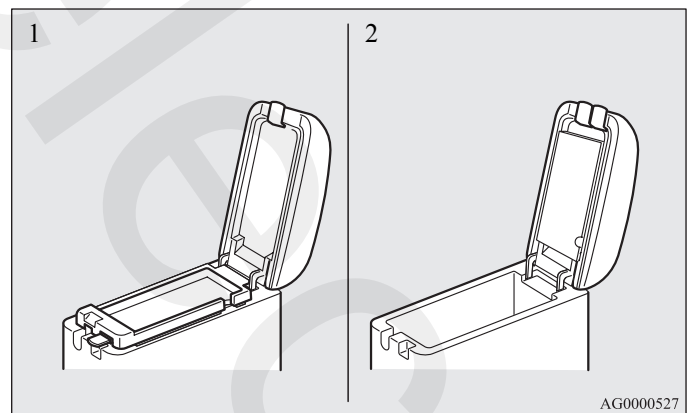


Type2

Upper and lower boxes are located inside the floor console box.

NOTE

- The floor console box can also be used as an arm rest. Refer to the “Arm rest” section on page 2-11.



- 1- Upper box
- 2- Lower box

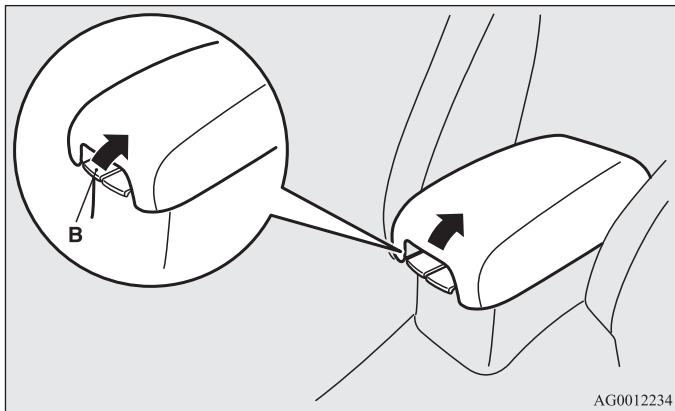
NOTE

- The Auxiliary Audio connector (RCA) or the Auxiliary Video connector (RCA) is located in the floor console box (if so equipped). For details, refer to “To use the external audio input function” on page 5-118.
- The USB input terminal is located in the floor console box (if so equipped). For details, refer to “USB input terminal” on page 3-264.

Features and controls

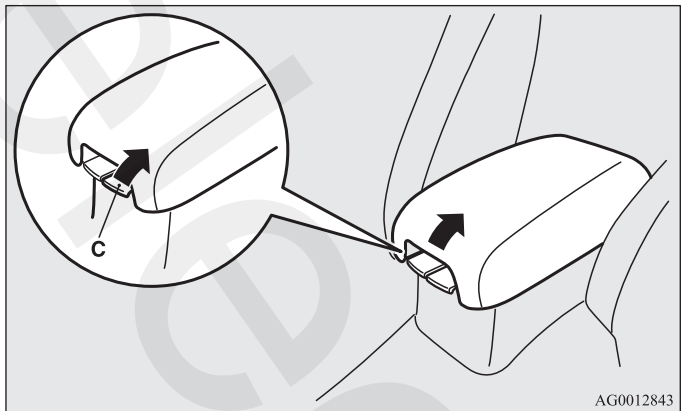
Upper box

To open the upper box, lift the right release lever (B) and raise the lid.



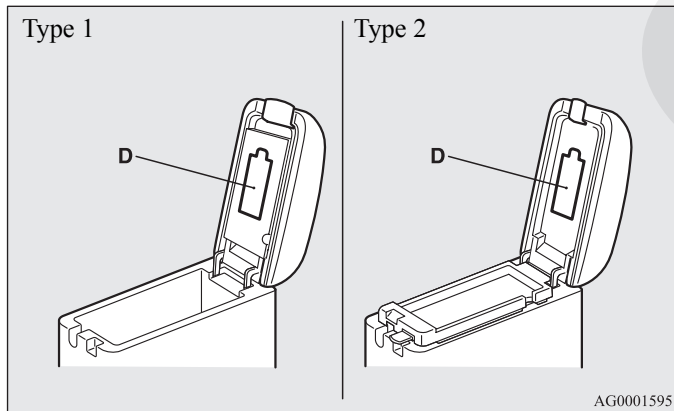
Lower box

To open the lower box, lift the left release lever (C) and raise the lid.



Tissue holder

The tissue holder (D) is located on the underside of the floor console box lid.

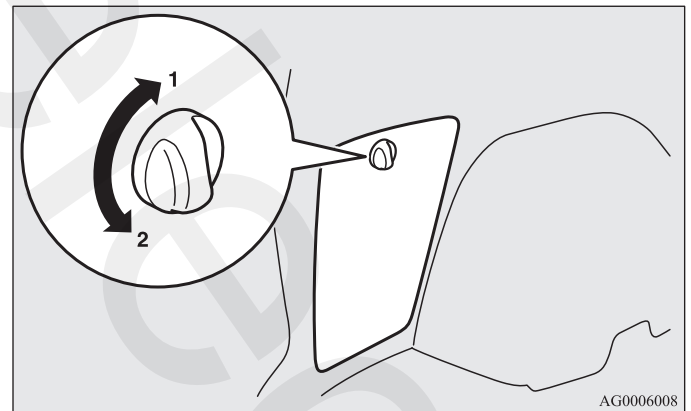


Features and controls

Quarter trim box (if so equipped)

N00539300013

A box for storing small articles is located inside the luggage compartment.



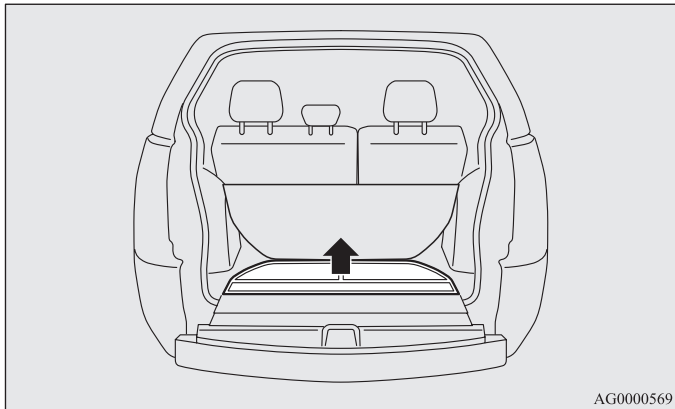
- 1- To close
- 2- To open

Features and controls

Luggage floor box (if so equipped)

N00552300036

There is a luggage floor box under the luggage floor board.
To use the box, raise the luggage floor board.



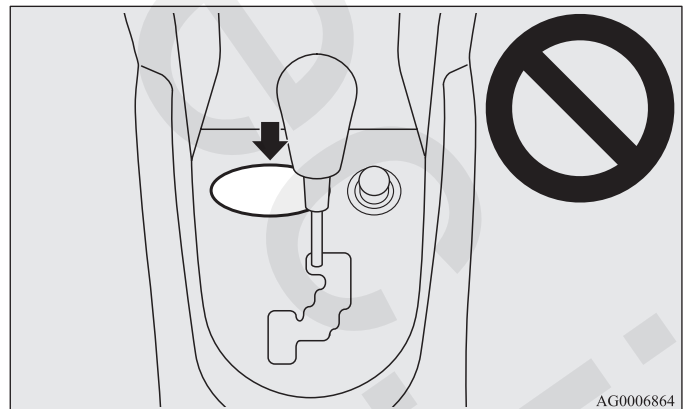
Cup holders

N00527300205

The cup holder is designed for holding cups or drink-cans securely in its holes.

⚠ WARNING

- The hole in front of the selector lever is not and should not be used as a cup holder. Spilling beverages onto the adjacent power outlet could cause a short-circuit or electrical failure.

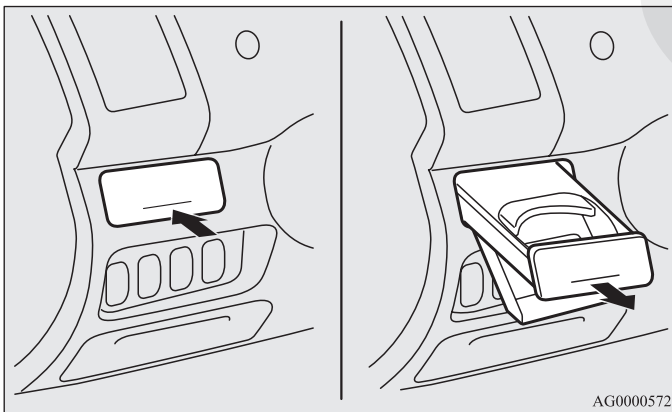


Features and controls

For driver's seat

There is a built-in cup holder in the driver seat instrument panel.

If the center part of the lid is pressed, it will eject slightly so that it can be pulled out and used.



CAUTION

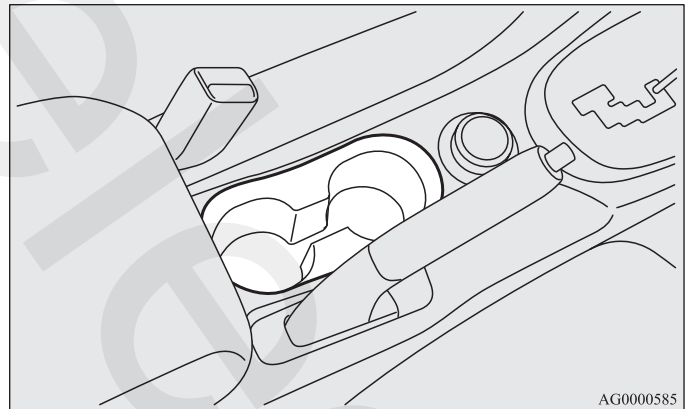
- Drink beverages while driving your vehicle is distracting and can cause an accident.

NOTE

- Press in to store the holder when not in use.

For the front seat

The cup holder is located in front of the floor console.

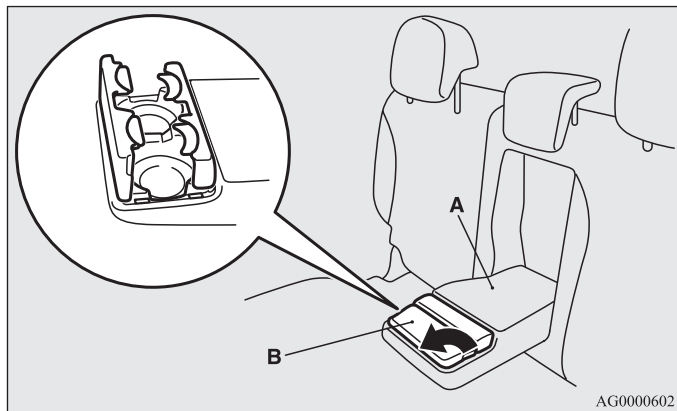


Features and controls

For the second row seat

N00537000090

This cup holder is located in the second row seat arm rest (A). Open the lid (B) while holding the side face of the lid with your hand.



Bottle holders

N00527300319

CAUTION

- Drink beverages while driving your vehicle is distracting and can cause an accident.
- Vibration and shaking while driving may cause beverages to spill. Be very careful, as spilling hot beverages could cause burns.

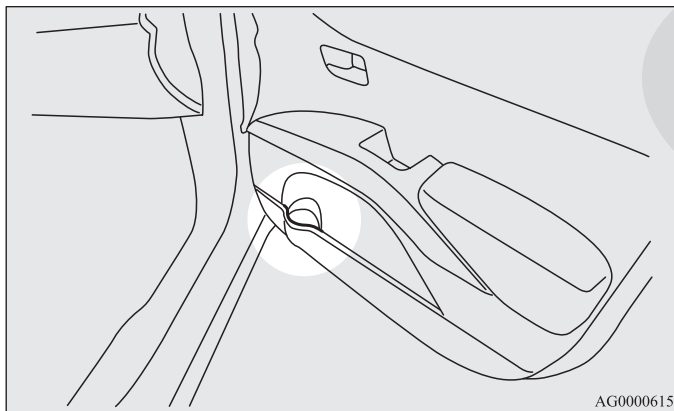
NOTE

- Make sure all lids are tightly closed when storing beverages that are in plastic bottles, etc.
- Some beverages may not be stored, depending on the size and shape of the plastic bottles, etc.

Features and controls

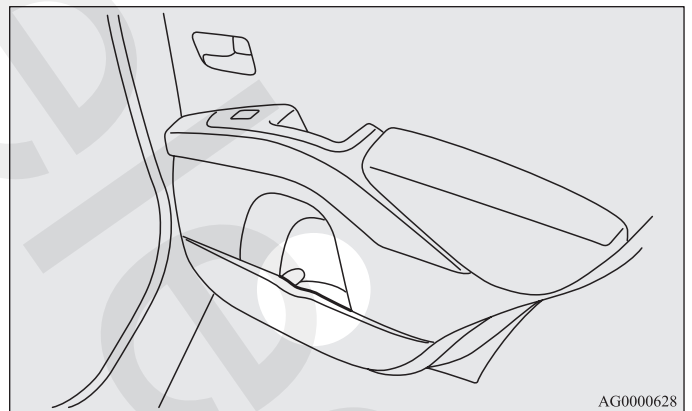
For the front seat

There are bottle holders located on both sides.



For the second row seat

There are bottle holders located on both sides.



Features and controls

Cargo area cover (if so equipped)

N00528300127

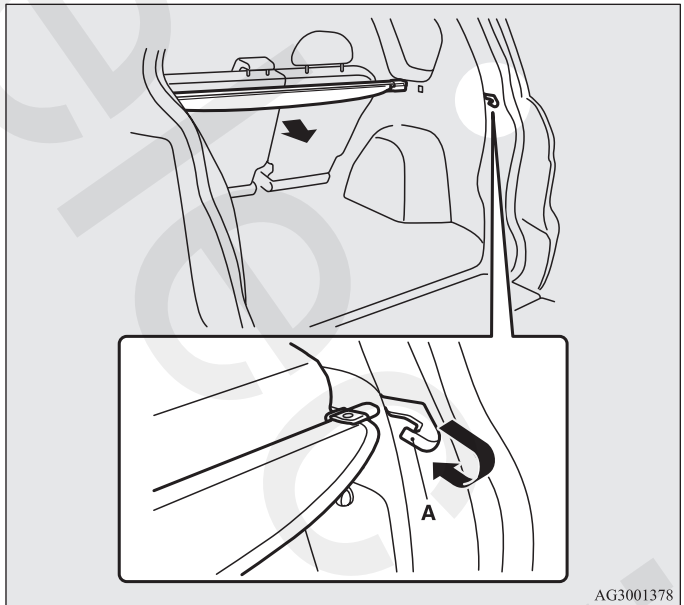
⚠ WARNING

- For vehicles equipped with third row seat, when the third row seat is in use, always remove the cargo area cover to avoid serious injury or death at an accident.

3

To use

1. Pull out the spring-loaded cover and insert it in the mounting grooves (A) on both sides.



AG3001378

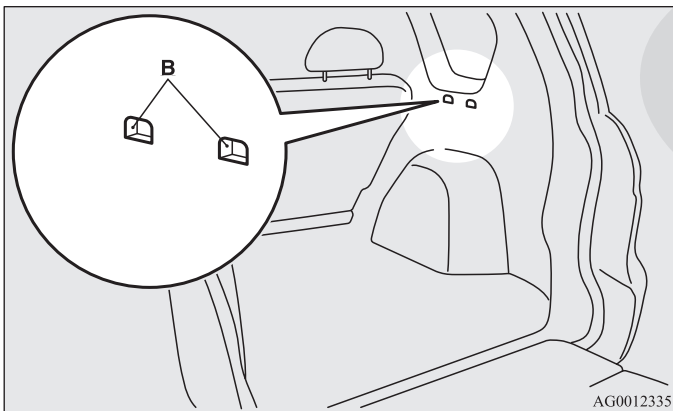
2. Remove the cover from the mounting grooves, and the cover will be rolled back into the retracted position.

NOTE

- Do not place anything on the cargo area cover.

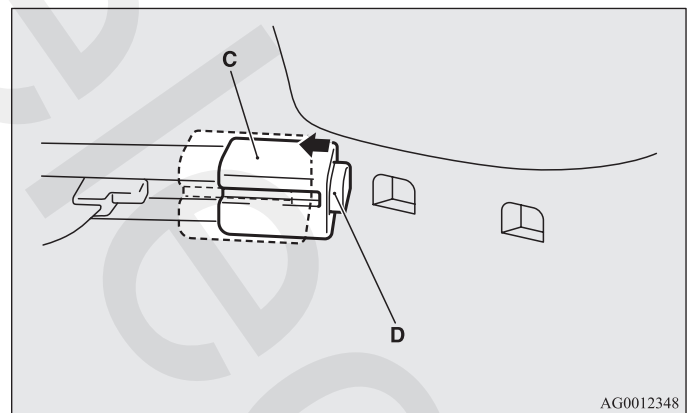
To change position

There are 2 installation holes (B) for the cargo area cover.



Features and controls

1. Move one of the sliders (C) toward the inside of the vehicle, and fit the protruding portion (D) into the installation hole that is to be used. Move the opposite slider in the same fashion.



2. After changing the position, gently shake the entire cargo area cover to make sure it is securely retained.

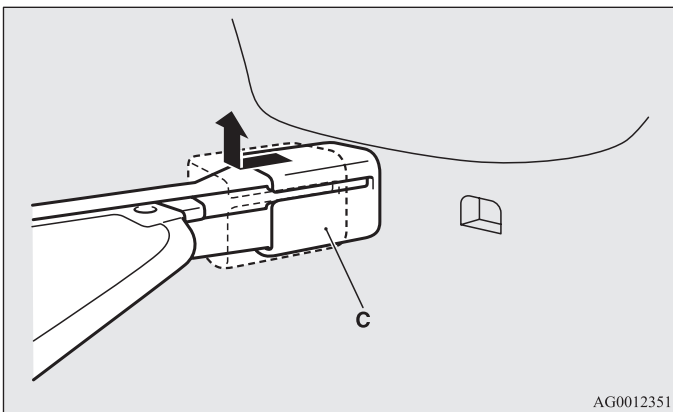
NOTE

- If the second row seat touches the cargo area cover, move the cargo area cover rearward. The cargo area cover could be damaged if it supports the seatback of the second row seats.

Features and controls

To remove

1. Roll back the cargo area cover.
2. Move one of the sliders (C) toward the inside of the vehicle and lift it to remove the cargo area cover.

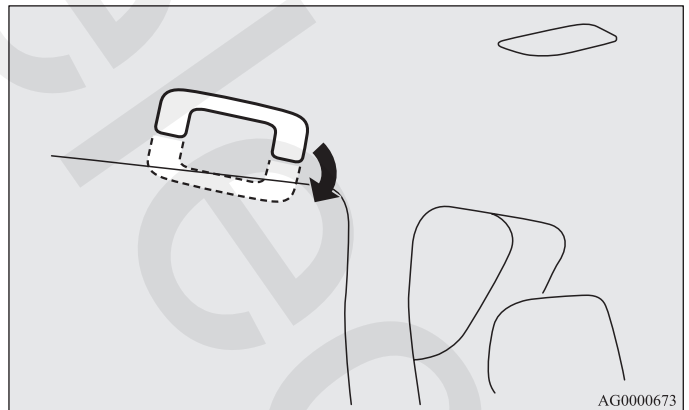


To fit the cargo area cover, follow the removal steps in reverse. Gently shake the entire cargo area cover after fitting it to make sure it is securely retained.

Assist grips

N0055900032

The assist grips (located above the doors on the headliner) are not designed to support body weight. They are intended for use only while seated in the vehicle.



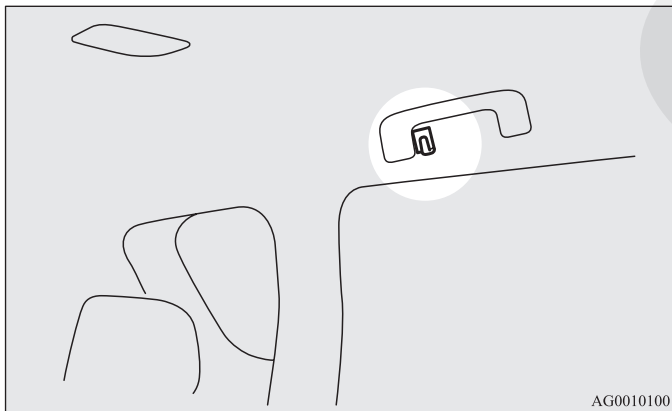
CAUTION

- Do not use the assist grips when getting into or out of the vehicle. The assist grips could detach causing you to fall.

Coat hooks

N00553600137

There is a coat hook on the second row seat assist grip.



AG0010100

⚠ WARNING

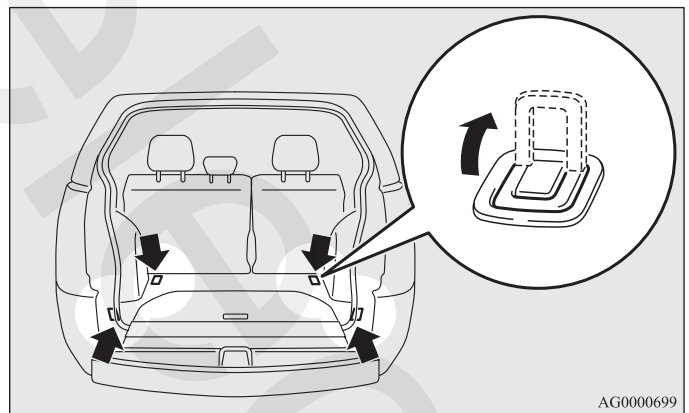
- Do not put a hanger or any heavy or pointed object on the coat hook. If the curtain air bag was activated, any such item could be propelled away with great force and could prevent the curtain air bag from inflating correctly. Hang clothes directly on the coat hook (without using a hanger). Make sure there are no heavy or sharp objects in the pockets of clothes that you hang on the coat hook.

Features and controls

Luggage hooks

N00528500158

There are hooks on the floor and the sides of the luggage area for use in securing luggage.



AG0000699

⚠ CAUTION

- Do not load the luggage higher than the top of the seatback. Be sure that luggage is firmly secured. Restricted rear vision or flying objects entering the passenger compartment during sudden braking could result in a serious accident.

Driving safety

Driving precaution	4-	2
Fuel economy	4-	2
Driving, alcohol and drugs	4-	3
Floor mat	4-	3
Vehicle preparation before driving	4-	5
Safe driving techniques	4-	6
Driving during cold weather	4-	7
Braking	4-	8
Parking	4-	8
Loading information	4-	9
Cargo loads	4-	14
Trailer towing	4-	18

Driving safety***Driving precaution***

N0062930053

▲ WARNING

- **Utility vehicles have a significantly higher rollover rate than other types of vehicles. Avoid abrupt maneuvers and excessive speed. Always buckle up.**

Utility vehicles have higher ground clearance and a narrower track, which enables them to perform in a wide variety of off-road situations. Because of the higher ground clearance, these vehicles have a higher center of gravity, which makes them handle differently than ordinary vehicles when driving on pavement. They are not designed to maneuver or corner at the same speed on pavement as conventional 2-wheel drive passenger cars any more than low-slung sports cars are designed to perform satisfactorily in off-road conditions.

Always drive safely and steer the vehicle carefully. Avoid operating the vehicle in a manner that might require sharp turns or abrupt maneuvers. As with other vehicles of this type, failure to operate this vehicle correctly can result in loss of control or vehicle rollover.

In a rollover crash, an unbelted person is significantly more likely to die than a person wearing a seat belt. Before starting the vehicle, always make certain that you and all your passengers are properly wearing their seat belts (with children in the rear seat, in appropriate restraints).

Fuel economy

N00628800149

Fuel economy is dependent on many factors. Your personal driving habits can have a significant effect on your fuel use. Several recommendations for achieving the greatest fuel economy are listed below.

- Whenever accelerating from a stop, always accelerate slowly and smoothly.
- When parked for even a short period, do not idle the engine. Shut it off.
- Plan your trips to avoid unnecessary stops.
- Keep your tires inflated to the recommended pressures.
- When you drive on highways or dry improved roads, set the drive mode-selector "2WD", "4WD AUTO" or "TAR-MAC" position (if so equipped).
- For freeway driving, maintain a speed of approximately 50 mph (80 km/h) when traffic, roadway and weather conditions safely permit.
- Keep your air filter clean and your vehicle lubricated according to the recommendations in this manual.
- Always keep your vehicle well maintained. A poorly maintained engine wastes fuel and costs money.
- Never overload your vehicle.

Driving, alcohol and drugs

N0062890049

Drunk driving is one of the most frequent causes of accidents. Your driving ability can be seriously impaired even with blood alcohol levels far below the legal minimum. If you have been drinking, don't drive. Ride with a designated non-drinking driver, call a cab or a friend, or use public transportation. Drinking coffee or taking a cold shower will not make you sober.

Similarly, prescription and nonprescription drugs affect your alertness, perception and reaction time. Consult with your doctor or pharmacist before driving while under the influence of any of these medications.

▲ WARNING

● **NEVER DRINK AND DRIVE.**

Your perceptions are less accurate, your reflexes are slower and your judgment is impaired.

Driving safety

Floor mat

N0062860033

The original equipment floor mat provided with your vehicle was specifically designed for your vehicle.

Always properly position the floor mat and assure it does not interfere with operation of the pedals. Always use the retaining clip on the driver's floorboard to secure the floor mat. When used, this clip will help prevent the floor mat from moving forward and possibly interfering with the operation of the pedals. To prevent the floor mat from moving forward and possibly interfering with the operation of the pedals, Mitsubishi genuine floor mats are recommended.

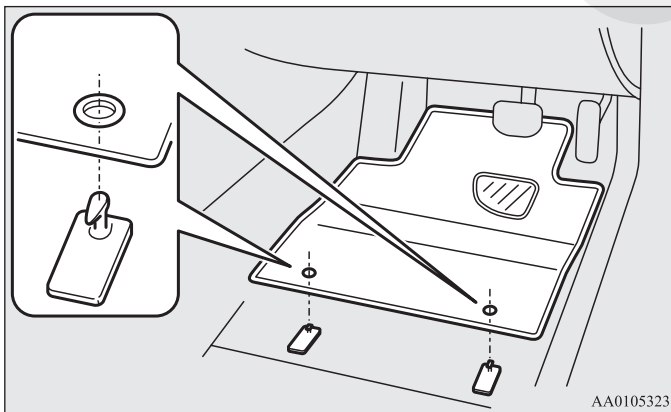
To install the floor mat

N0062870050

1. Place the floor mat to fit the shape of the floorboard.
2. Align the floor mat with the installation holes over the retaining clips.

Driving safety

3. Secure the floor mat with retaining clips.



4

NOTE

- The shape of the mat and the number of retaining clips may vary depending on the vehicle model.

⚠ WARNING

- If a floor mat is the wrong size or is not properly installed, it can interfere with the operation of the pedals. Interference with the pedals can cause unintended acceleration and/or increased stopping distances resulting in a crash and injury. Always make sure the floor mat does not interfere with the accelerator or brake pedal.
- Always use the retaining clip on the driver's floorboard to secure the floor mat.

⚠ WARNING

- Always install the mat with the correct side facing down.
- Never install a second mat over or under an existing floor mat.
- Do not use a floor mat designed for another model vehicle even if it is a Mitsubishi genuine floor mat.
- Before driving, be sure to check the following:
 - Periodically check that the floor mat is properly secured with the retaining clips.If you remove the floor mat while cleaning the inside of your vehicle or for any other reason, always check the condition of the floor mat after it has been reinstalled.
- While the vehicle is stopped with the engine off, check that the floor mat is not interfering with the pedals by depressing the pedals fully.

Driving safety

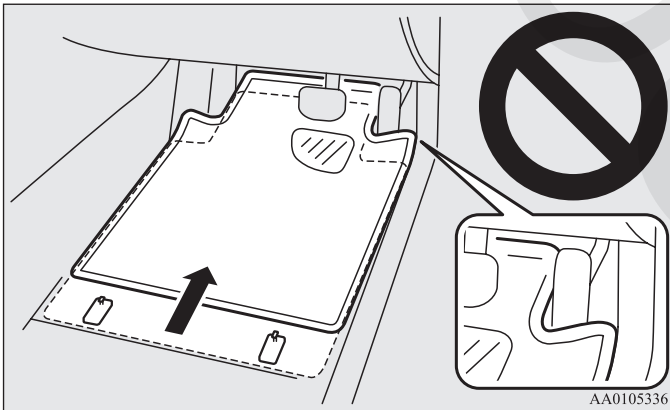
Vehicle preparation before driving

N00629000643

For a safer and more enjoyable trip, always check for the following:

Seat belts and seats

- Before starting the vehicle, make certain that you and all passengers are seated and wearing their seat belts properly (with children in the rear seat, in appropriate restraints), and that all the doors and flap-fold tailgate are locked.
- Move the driver's seat as far backward as possible, while still keeping good visibility, and good control of the steering wheel, brakes, accelerator, and controls. Check the instrument panel indicators and multi-information display for any possible problem.
- In the same way, the front passenger seat should also be moved as far back as possible.
- Make sure that infants and small children are properly restrained in accordance with all laws and regulations.



AA0105336

Driving safety

Defrosters

Check these by selecting the defroster mode, and set the blower switch on high. You should be able to feel the air blowing against the windshield.

Refer to “Defrosting or defogging (windshield, door windows)” on page 5-14, 5-23, 5-33, 5-43.

Tires

Check all the tires for heavy tread wear or uneven wear patterns. Look for stones, nails, glass, or other objects stuck in the tread. Look for any tread cuts or sidewall cracks. Check the wheel nuts for tightness, and the tires (including spare tire) for proper pressure. Replace your tires before they are heavily worn out.

As your vehicle is equipped with a tire pressure monitoring system, there is a risk of damage to the tire inflation pressure sensors when the tire is replaced on the rim. Tire replacement should, therefore, be performed only by an authorized Mitsubishi Motors dealer.

Lights

Have someone watch while you turn all the exterior lights on and off. Also check the turn signal indicators and high-beam indicators on the instrument panel.

Fluid leaks

Check the ground under the vehicle after parking overnight, for fuel, water, oil, or other leaks. Make sure all the fluid levels are correct. Also, if you can smell fuel, you need to find out why immediately and have it fixed.

Safe driving techniques

N00629200094

Even this vehicle’s safety equipment, and your safest driving, cannot guarantee that you can avoid an accident or injury. However, if you give extra attention to the following areas, you can better protect yourself and your passengers:

- Drive defensively. Be aware of traffic, road and weather conditions. Leave plenty of stopping distance between your vehicle and the vehicle ahead.
- Before changing lanes, check your mirrors and use your turn-signal light.
- While driving, watch the behavior of other drivers, bicyclists, and pedestrians.
- Always obey applicable laws and regulations. Be a polite and alert driver. Always leave room for unexpected events, such as sudden braking.
- If you plan to drive in another country, obey their vehicle registration laws and make sure you will be able to get the right fuel.

Driving safety

Driving during cold weather

N00629400445

- Check the battery. At the same time, check the terminals and wiring. During extremely cold weather, the battery will not be as strong. Also, the battery power level may drop because more power is used for cold starting and driving.

Before driving the vehicle, check to see if the engine runs at the proper speed and if the headlights are as bright as normally. Charge or replace the battery if necessary. During extreme cold weather, it is possible that a very low battery could freeze.

⚠ WARNING

- The battery gives off explosive hydrogen gas. Any spark or flame can cause the battery to explode, which could cause serious injury or death. Always wear protective clothes and a face mask when working with your battery, or let a skilled mechanic do it.

- Warm the engine sufficiently. After starting the engine, allow a short warm-up time to distribute oil to all cylinders. Then drive your vehicle slowly. Stay at low speeds at first so that the transaxle, transfer case and rear axle oil have time to spread to all lubrication points.

- Check the engine antifreeze.

If there is not enough coolant because of a leak or from engine overheating, add Mitsubishi Motors Genuine Super Long Life Coolant Premium or equivalent. Please read this section in conjunction with the “Engine coolant” on page 7-12.

⚠ WARNING

- Never open the radiator cap when the radiator is hot. You could be seriously burned.

Driving safety**Braking**

N00629500475

All the parts of the brake system are critical to safety. Have the vehicle serviced by an authorized Mitsubishi Motors dealer or a repair facility of your choice at regular intervals according to the “WARRANTY AND MAINTENANCE MANUAL”.

When brakes are wet

Check the brake system while driving at a low speed immediately after starting, especially when the brakes are wet, to confirm they work normally.

A film of water can be formed on the brake discs and prevent normal braking after driving in heavy rain or through large puddles, or after the vehicle is washed. If this occurs, dry the brakes out by driving slowly while lightly depressing the brake pedal.

4

When driving in cold weather

On snowy roads, ice can form on the braking system, making the brakes less effective. While driving in such conditions, pay close attention to preceding and following vehicles and to the condition of the road surface. From time to time, lightly depress the brake pedal and check how effective the brakes are.

When driving downhill

It is important to take advantage of the engine braking by downshifting while driving on steep downhill roads in order to prevent the brakes from overheating.

Parking

N00629600232

Parking on a hill

When parking on a hill, set the parking brake, and turn the front wheels toward the curb on a downhill, or away from the curb on an uphill.

If necessary, apply chocks to wheels.

Be sure that the parking brake is firmly set when parked and that the selector lever is in the “P” (PARK) position.

When parking on a hill, it is important to set the parking brake before moving the selector lever to the “P” (PARK) position. This prevents loading the parking brake against the transaxle. When this happens, it is difficult to move the selector lever out of the “P” (PARK) position.

Parking with the engine running

Never leave the engine running while you take a short sleep or rest. Also, never leave the engine running in a closed or poorly ventilated place.

⚠ WARNING

- Leaving the engine running risks injury or death from accidentally moving the selector lever or the accumulation of toxic exhaust fumes in the passenger compartment.

Driving safety

Where you park

Your front bumper can be damaged if you scrape it over curbs or parking stop blocks. Be careful when traveling up or down steep slopes where your bumper can scrape the road.

▲ WARNING

- Do not park your vehicle in areas where combustible materials such as dry grass or leaves can come in contact with a hot exhaust, since a fire could occur.

When leaving the vehicle

Always remove the key from the ignition switch and lock all doors and the flap-fold tailgate when leaving the vehicle unattended.

Always try to park your vehicle in a well lit area.

Loading information

N00629900352

It is very important to know how much weight your vehicle can carry. This weight is called the vehicle capacity weight and includes the weight of all occupants, cargo (including the roof load), non-factory-installed options, and the tongue weight of the trailer, if any, being towed. The tire and loading information placard located on the driver's door sill of your vehicle will show how much weight it may properly carry.

▲ WARNING

- Never overload your vehicle. Overloading can damage your vehicle, adversely affect vehicle performance, including handling and braking, cause tire failure, and result in an accident.

It is important to familiarize yourself with the following terms before loading your vehicle:

- Vehicle maximum load on the tire: load on an individual tire that is determined by distributing to each axle its share of the maximum loaded vehicle weight and dividing by two.
- Vehicle normal load on the tire: load on an individual tire that is determined by distributing to each axle its share of the curb weight, accessory weight, and normal occupant weight and dividing by two.
- Maximum loaded vehicle weight: the sum of -
 - (a) Curb weight;
 - (b) Accessory weight;
 - (c) Vehicle capacity weight; and
 - (d) Production options weight.

Driving safety

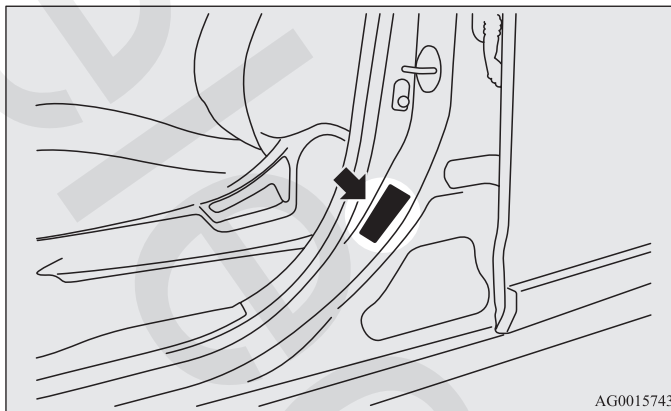
- Curb weight: the weight of a motor vehicle with standard equipment including the maximum capacity of fuel, oil, and coolant.
- Accessory weight: the combined weight (in excess of those standard items which may be replaced) of automatic transmission, power steering, power brakes, power windows, power seats, radio, and heater, to the extent that these items are available as factory- installed equipment (whether installed or not).
- Vehicle capacity weight: the rated cargo and luggage load plus 150 lbs (68 kg) * times the vehicle's designated seating capacity.
- Production options weight: the combined weight of those installed regular production options weighing over 5 lbs (2.3 kg) in excess of those standard items which they replace, not previously considered in curb weight or accessory weight, including heavy duty brakes, ride levelers, roof rack, heavy duty battery, and special trim.
- Normal occupant weight: 150 lbs (68 kg) * times the number of specified occupants (3 in the case of your vehicle)
- Occupant distribution: Occupant distribution within the passenger compartment (In your vehicle the distribution is 2 in front, 1 in second row seat)

*: 150 lbs (68 kg) is the weight of one person as defined by U.S.A. and Canadian regulations.

Tire and loading information placard

N00630100325

The tire and loading information placard is located on the inside sill of the driver's door.



AG0015743

Driving safety

This placard shows the maximum number of occupants permitted to ride in your vehicle as well as “the combined weight of occupants and cargo” (A), which is called the vehicle capacity weight. The weight of any non-factory installed options, as well as the tongue weight of a trailer being towed and roof load is included in the definition of “cargo” when determining the vehicle capacity weight. This placard also tells you the size and recommended inflation pressure for the original equipment tires on your vehicle. For more information, refer to “Tires” on page 7-24.

Type 1

EXAMPLE

TIRE AND LOADING INFORMATION

SEATING CAPACITY TOTAL FRONT REAR

The combined weight of occupants and cargo should never exceed kg or lbs. A

TIRE	SIZE	COLD TIRE PRESSURE		SEE OWNER'S MANUAL FOR ADDITIONAL INFORMATION
FRONT	<input type="text"/>	<input type="text"/> KPa,	<input type="text"/> PSI	
REAR	<input type="text"/>	<input type="text"/> KPa,	<input type="text"/> PSI	
SPARE	<input type="text"/>	<input type="text"/> KPa,	<input type="text"/> PSI	

PART NO.

AG0018395

Type 2

EXAMPLE

TIRE AND LOADING INFORMATION
RENSEIGNEMENTS SUR LES PNEUS ET LE CHARGEMENT

SEATING CAPACITY TOTAL FRONT REAR

The combined weight of occupants and cargo should never exceed kg or lbs. A

TIRE PNEU	SIZE DIMENSIONS	COLD TIRE PRESSURE PRESSION DES PNEUS À FROID		SEE OWNER'S MANUAL FOR ADDITIONAL INFORMATION
FRONT AVANT	<input type="text"/>	<input type="text"/> kPa,	<input type="text"/> psi	
REAR ARRIÈRE	<input type="text"/>	<input type="text"/> kPa,	<input type="text"/> psi	
SPARE DE SECOURS	<input type="text"/>	<input type="text"/> kPa,	<input type="text"/> psi	

VOIR LE MANUEL DE L'USAGER POUR PLUS DE RENSEIGNEMENTS

AF0015463

Driving safety

Steps for Determining Correct Load Limit

N00630200094

1. Locate the statement “The combined weight of occupants and cargo should never exceed XXX kg or XXX lbs.” on your vehicle’s placard.
2. Determine the combined weight of the driver and passengers that will be riding in your vehicle.
3. Subtract the combined weight of the driver and passengers from XXX kg or XXX lbs.
4. The resulting figure equals the available amount of cargo and luggage load capacity. For example, if the “XXX” amount equals 1400 lbs. and there will be five 150 lbs. passengers in your vehicle, the amount of available cargo and luggage load capacity is 650 lbs. (1400 - 750 (5 x 150) = 650 lbs.)
5. Determine the combined weight of luggage and cargo being loaded on the vehicle. That weight may not safely exceed the available cargo and luggage load capacity calculated in Step 4.
6. If your vehicle will be towing a trailer, load from your trailer will be transferred to your vehicle. Consult this manual to determine how this reduces the available cargo and luggage load capacity of your vehicle.

Driving safety

NOTE

- The following table shows examples on how to calculate total load, cargo/luggage and towing capacities of your vehicle with varying seating configurations and number and size of occupants. This table is for illustration purposes only and may not be accurate for the seating and load carry capacity of your vehicle.
- For the following example the combined weight of occupants and cargo should never exceed 865 lbs (392 kg).

Occupants			Combined weight of occupants and cargo from Tire Placard	MINUS	Combined Occupant's weight	= AVAILABLE Cargo/Luggage and Trailer Tongue Weight
TOTAL	FRONT	REAR				
EXAMPLE 1			865 lbs (392 kg)	minus	Occupant 1: 200 lbs (91 kg) Occupant 2: 130 lbs (59 kg) Occupant 3: 160 lbs (73 kg) Occupant 4: 100 lbs (45 kg) Occupant 5: 80 lbs (36 kg) <hr/> TOTAL WEIGHT: 670 lbs (304 kg)	= 195 lbs (88 kg)
5	2	3				
EXAMPLE 2			865 lbs (392 kg)	minus	Occupant 1: 210 lbs (95 kg) Occupant 2: 180 lbs (82 kg) Occupant 3: 150 lbs (68 kg) <hr/> TOTAL WEIGHT: 540 lbs (245 kg)	= 325 lbs (147 kg)
3	2	1				
EXAMPLE 3			865 lbs (392 kg)	minus	Occupant 1: 200 lbs (91 kg) Occupant 2: 200 lbs (91 kg) <hr/> TOTAL WEIGHT: 400 lbs (182 kg)	= 465 lbs (210 kg)
2	2	0				

AAM002135

- Under a maximum loaded vehicle condition, gross axle weight ratings (GAWR's) for the front and rear axles must not be exceeded. For further information on GAWR's, vehicle loading and trailer towing, see the "Specifications" section of this manual.

Driving safety

Cargo loads

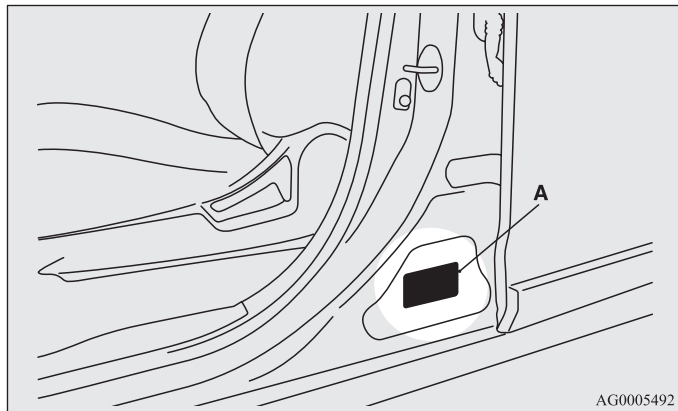
N00629700435

Cargo load precautions

N00630300040

To determine the cargo load capacity for your vehicle, subtract the weight of all vehicle occupants from the vehicle capacity weight. For additional information, if needed, refer to “Steps for Determining Correct Load Limit” on page 4-12.

DO NOT USE the Gross Vehicle Weight Rating and Gross Axle Weight Rating numbers listed on the safety certification label (A) located on the inside sill of the driver’s door as the guide for passengers and/or cargo weight.



AG0005492

⚠ WARNING

- To reduce the risk of serious injury or death, the combined weights of the driver, passengers and cargo and must never exceed the vehicle capacity weight.
- Exceeding the vehicle capacity weight will adversely affect vehicle performance, including handling and braking, and may cause an accident.
- Do not load cargo or luggage higher than the top of the seatback. Be sure that your cargo or luggage cannot move when your vehicle is in motion. Having either the rear view blocked, or your cargo being thrown inside the cabin if you suddenly have to brake can cause a serious accident or injury or death.
- Put cargo or luggage in the cargo area of your vehicle. Try to spread the weight evenly.

Loading cargo on the roof

N0063040096

⚠ WARNING

- Weight placed on the roof of the vehicle will raise the vehicle's center of gravity and adversely affect its handling characteristics. As a result, driving errors or emergency maneuvers could lead to a loss of control and result in an accident. Drive slowly and avoid excessive maneuvers such as sudden braking or quick turning.
- Make sure that the weight of luggage and the roof carrier do not exceed the maximum roof load, 110 lb (50 kg). If the maximum roof load is exceeded, this could cause damage to the vehicle or result in an accident.
- The total weight of all occupants and luggage, including your roof load, must not exceed the vehicle capacity weight. For more information, refer to "Tire and loading information placard" on page 9-4
- Roof load is determined by adding the weight of the roof carrier and the weight of the luggage placed on the roof carrier.
- For additional information, refer to "Maximum roof load" on page 9-7.

⚠ CAUTION

- Do not load luggage directly onto the roof. Use a roof carrier that properly fits your vehicle. For installation, refer to the instruction manual provided with the roof carrier.
- Place the luggage on the carrier so that its weight is distributed evenly with the heaviest items on the bottom. Do not load items that are wider than the roof carrier.
- Before driving and after traveling a short distance, always check the load to make sure it is securely fastened to the roof carrier. Stop the vehicle periodically and check that the load remains secure. If the load is not secure, it could fall from the vehicle and damage your vehicle, another vehicle or create a road hazard.

NOTE

- To prevent wind noise or reduction in gas mileage, remove the roof carrier when not in use.
- Before using an automatic car wash, check with the attendant to determine if the roof carrier should be removed.
- Be sure that adequate clearance is maintained for raising the sunroof and/or flap-fold tailgate when installing a roof carrier. (For vehicle with sunroof only)

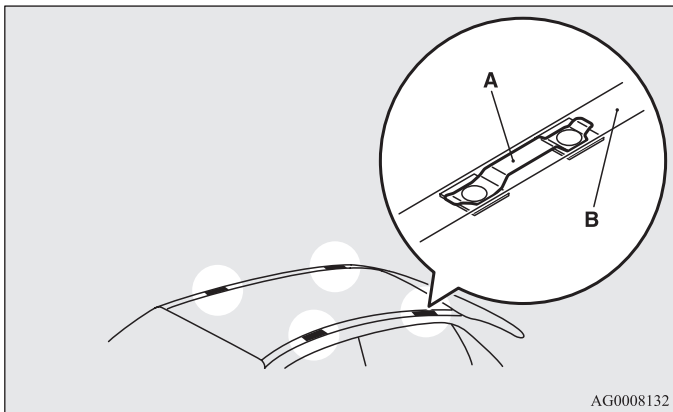
Driving safety

Roof carrier mounting brackets (if so equipped)

N00630600098

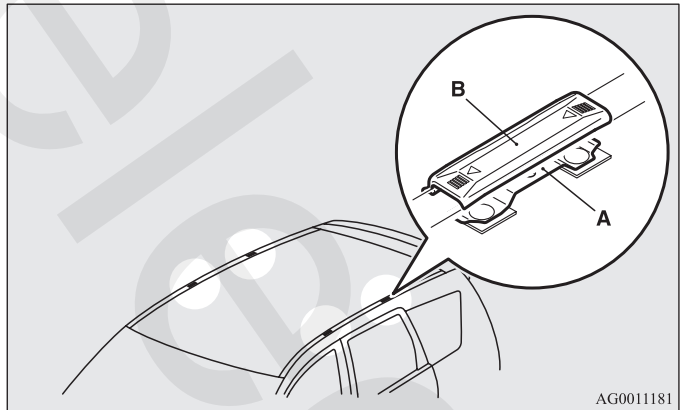
Type 1

When installing the roof carrier, use the brackets (A). The brackets are located under each roof drip moulding (B).



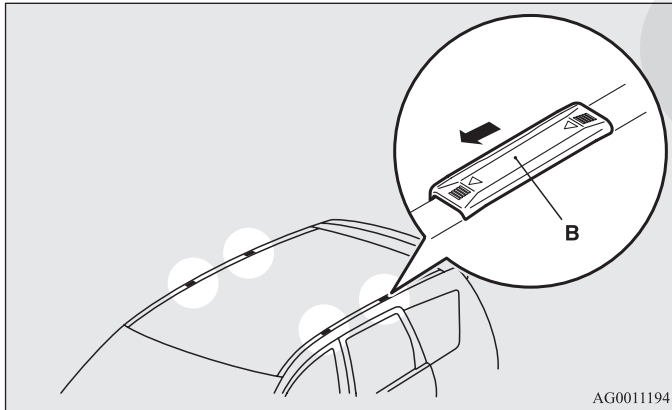
Type 2

When installing the roof carrier, use the brackets (A). The brackets (A) are located under each cover (B).



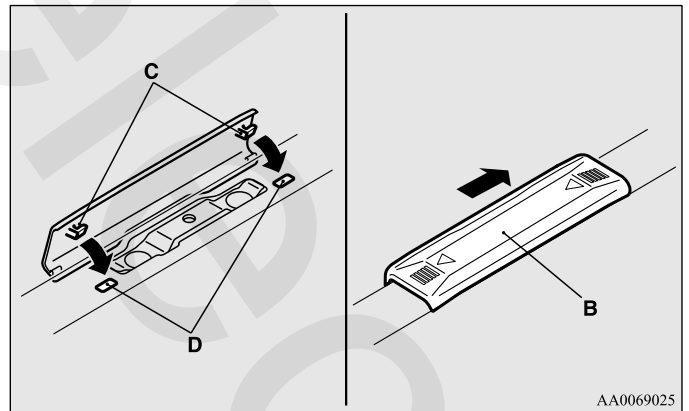
Attaching the roof carrier

Slide each cover (B) toward the front of the vehicle to remove it.



Refitting the covers

1. With each cover, put the tabs (C) on the cover in the holes (D) in the roof.
2. Slide the cover (B) toward the rear of the vehicle to install it.



Driving safety

Driving safety

Trailer towing

N00629800319

Towing a trailer will adversely affect your vehicle's handling, performance, braking, durability and driving economy (fuel consumption, etc.).

If you do tow a trailer with this vehicle, be sure to use proper equipment and cautious steering and braking for safe driving.

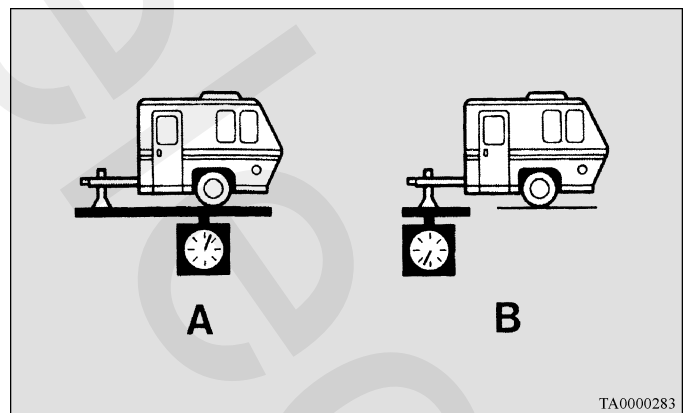
⚠ CAUTION

- Do not lose control of your vehicle when towing a trailer.
 - Always use proper equipment.
 - Always drive carefully
- Damage to your vehicle caused by improper equipment or driving is not covered by your warranty.

4

Weight limits

Never exceed the vehicle capacity weight, maximum trailer weight (A), maximum tongue weight (B) and Gross Axle Weight Rating (GAWR).



Vehicle capacity weight

The vehicle capacity weight is printed on the tire and loading information placard as “combined weight of occupants and cargo”.

The weight includes the weight of all occupants and the total weight it can carry.

For more information, refer to “Tire and loading information placard” on page 4-10.

Driving safety

Maximum trailer weight

Recommendations for towing up to this limit are as follows.

2.4 liter models

Total trailer weight	Trailer brake requirement
Up to 1,250 lbs. (567 kg)	Trailer brake unnecessary
From 1,250 lbs. (567 kg) to 1,500 lbs. (680 kg)	Trailer brake necessary

3.0 liter models

Total trailer weight	Trailer brake requirement
Up to 1,400 lbs. (635 kg)	Trailer brake unnecessary
From 1,400 lbs. (635 kg) to 2,000 lbs. (907 kg)	Trailer brake necessary (Front-wheel drive vehicles)
From 1,400 lbs. (635 kg) to 3,500 lbs. (1,588 kg)	Trailer brake necessary (All-wheel drive vehicles)

Tongue weight

The tongue weight of any trailer is important because it affects the vehicle capacity weight.

The vehicle capacity weight includes any cargo you may carry, and the people who will be riding in the vehicle. If you will tow a trailer, you must include the tongue weight of the trailer in your calculation of the vehicle capacity weight. For more information regarding vehicle capacity weight, refer to “Tire and loading information placard” on page 4-10.

Do not exceed the maximum tongue weight for your vehicle.

Trailer brake	Maximum tongue weight	
	2.4 liter models	3.0 liter models
With trailer brake (All-wheel drive vehicles)	150 lbs. (68 kg)	350 lbs. (159 kg)
With trailer brake (Front-wheel drive vehicles)		200 lbs. (91 kg)
Without trailer brake	125 lbs. (57 kg)	140 lbs. (64 kg)

After you’ve loaded your trailer, weigh the trailer and then the tongue, separately, to see if the weights are proper.

Keep the trailer tongue load at 10% of the loaded trailer weight for dead weight hitches. Tongue loads can be adjusted by proper distribution of the load in the trailer. This can be checked by separately weighing the loaded trailer and then the tongue.

Gross axle weight rating (GAWR)

The GAWRs are printed on the certification label which is riveted on the door sill on the driver’s side. Refer to “Vehicle labeling” on page 9-2.

Driving safety

Trailer hitches

Choose a proper hitch and ball, and make sure it is installed at a height that is compatible with the trailer.

Use a good equalizing hitch which uniformly distributes the trailer tongue load throughout the frame.

⚠ WARNING

- If you make any holes in the body of your vehicle for installing a trailer hitch, be sure to seal the holes later when you remove the hitch. If you don't seal them, deadly carbon monoxide (CO) from your exhaust can enter your vehicle. Refer to "Exhaust system" on page 7-38.

4

NOTE

- Mitsubishi Motors recommends that sway control be used whenever you are towing, to improve towing stability. For further information, please contact your authorized Mitsubishi Motors dealer.

Safety chains

A safety chain must always be used between the towing vehicle and the trailer. Leave sufficient slack in the chain for turns. The chain should cross under the trailer tongue to prevent the tongue from dropping to the ground in case it becomes damaged or separated.

For correct safety chain procedures, consult your authorized Mitsubishi Motors dealer.

⚠ CAUTION

- Never tow a trailer without using a safety chain securely attached to both the trailer and the vehicle. If the coupling unit or hitch ball experiences a problem, the trailer may separate from your vehicle.

Maintenance when trailer towing

Your vehicle will need service more often when you're towing a trailer. Refer to "WARRANTY AND MAINTENANCE MANUAL". Especially important in trailer operation are manual transaxle oil, automatic transaxle fluid, engine oil, rear axle oil, belt, cooling system and brake system. Each of these is covered in this manual.

For details, please refer to the "Vehicle care and maintenance" section.

Check periodically to see that all hitch nuts and bolts are tight.

Trailer brakes

Mitsubishi Motors recommends that any trailer having a total weight of 1,250 lbs (567 kg) or more (2400 models), 1,400 lbs (635 kg) or more (3000 models) be equipped with its own electric or surge-type brakes.

If you choose electric brakes, be sure they are electrically actuated. Do not attempt to tap into your vehicle's hydraulic system. No matter how successful it may seem, any attempt to attach trailer brakes to your vehicle's hydraulic system will lower braking effectiveness and create a potential hazard.

Trailer lights

Trailer lights and equipment must comply with federal, state, and local regulations. Check with your local recreational vehicle dealer for the requirements in your area, and use only equipment designed for your vehicle.

Since lighting and wiring vary by trailer type and brand, you should have a qualified technician install a suitable connector between the vehicle and the trailer. Improper equipment or installation can cause damage to your vehicle's electrical system and affect your vehicle warranty.

Additional trailer equipment

Many states and Canadian provinces require special outside mirrors when towing a trailer. Even if they do not, you should install special mirrors if you cannot clearly see behind you, or if the trailer creates a blind spot.

Ask your trailer sales or rental agency if any other items are recommended or required for your towing situation.

Operating hints

▲ WARNING

- If you have a rear window open and you tow a trailer with your vehicle, carbon monoxide gas which you cannot see or smell could come into your vehicle. It can cause unconsciousness or death. Refer to "Exhaust system" on page 7-38.
To maximize your safety when towing a trailer:
- Have your exhaust system inspected for leaks, and make necessary repairs before starting on your trip.
- Keep the rear windows closed.
- If exhaust does come into your vehicle through a window or another opening, drive with your front, main heating or cooling system on and with the blower on any speed. This will bring fresh, outside air into your vehicle. Do not use recirculation because it only recirculates the air inside your vehicle. Refer to "Air selection switch" on page 5-8, 5-18, 5-28, 5-38.

Driver preparation

Towing a trailer requires a certain amount of experience. Before setting out for the open road, you'll want to get to know your trailer. Acquaint yourself with the feel of handling and braking with the added weight of the trailer. And always keep in mind that the vehicle you are driving is now a good deal longer and not nearly as responsive as your vehicle is without a trailer.

Driving safety

Vehicle preparation

Before you start, check the trailer hitch, safety chains, tires and mirror adjustment.

Tire

Be sure your vehicle's tires are inflated to the cold inflation pressure listed in the manual. You'll find these numbers on the tire and loading information placard at the sill of the driver's door.

Refer to "Tire inflation pressures" on page 7-27.

Following distance

Stay at least twice as far behind the vehicle ahead as you would when driving your vehicle without a trailer. This can help you avoid situations that require heavy braking and sudden turns.

4

Passing

You'll need more passing distance up ahead when you're towing a trailer. And, because you're a good deal longer, you'll need to go much farther beyond the passed vehicle before you can return to your lane.

Backing up

Hold the bottom of the steering wheel with one hand. Then, to move the trailer to the left, just move that hand to the left. To move the trailer to the right, move your hand to the right. Always back up slowly and, if possible, have someone guide you.

Making turns

CAUTION

- Making sharp turns while towing a trailer could cause the trailer to come in contact with the vehicle. Your vehicle could be damaged. Avoid making sharp turns while towing a trailer.

When you're turning with a trailer, make wider turns than normal to help prevent the trailer from striking shoulders, curbs, road signs, trees or other objects.

Avoid jerky or sudden maneuvers. Signal well in advance.

Overheating

Towing a trailer puts additional burden on the engine and transaxle, which may cause overheating. Following are some suggestions to reduce overheating:

Cause of overheating

Air conditioning on
Highway speeds
Going up hills
Stop-and-go city traffic



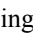
Solution

Turn off
Reduce speed
Select lower position
With the vehicle stopped, shift to the "N" (NEUTRAL) position and idle the engine at high idle.

Driving safety

When towing at high altitudes, engine coolant and automatic transaxle oil will overheat at a lower temperature than at normal altitudes.

If you turn your engine off immediately after towing at high altitude on steep uphill grades, your vehicle may show signs similar to overheating. To avoid this, let the engine run while parked (preferably on level ground) with the automatic transaxle in the “P” (PARK) position for a few minutes before turning the engine off.

- If the engine coolant temperature indicator  flashes on the information screen in the multi-information display or the engine power drops suddenly, refer to “Engine overheating” on page 6-5.
- If the  warning display or  warning display illuminates, refer to “Warning display” on page 3-99.

Driving on hills

Reduce speed and downshift before you start down a long or steep downgrade. If you don't shift down, over using the brakes can cause reduced brake efficiency.

You can tow in “D” (DRIVE) position. You may want to shift the selector lever to the 3rd or a lower position, under heavy loads or hilly conditions.

Parking

Always place chocks or blocks under both the vehicle and trailer wheels when parking. Be sure that the parking brake is firmly set and that the selector lever is in the “P” (PARK) position. Avoid parking on a hill with a trailer, but if it cannot be avoided, do so only after performing the following:

1. Apply the brakes and keep them applied.
2. Have someone place chocks or blocks under both the vehicle and trailer wheels.
3. When the chocks or blocks are in place, release your brakes slowly until the chocks or blocks absorb the load.
4. Apply the parking brake firmly.
5. Set the selector lever to the “P” (PARK) position and turn off the engine.

Driving safety

When restarting out after parking on a hill:

1. Check that the selector lever is set to the “P” (PARK) position.
2. Start the engine. Be sure to keep the brake pedal depressed.
3. Set the selector lever to the “D” (DRIVE) position or “R” (REVERSE) position.
4. Release the parking brake and brake pedal and slowly pull or back away from the chocks or blocks. Stop and apply your brakes.
5. Have someone retrieve the chocks or blocks.

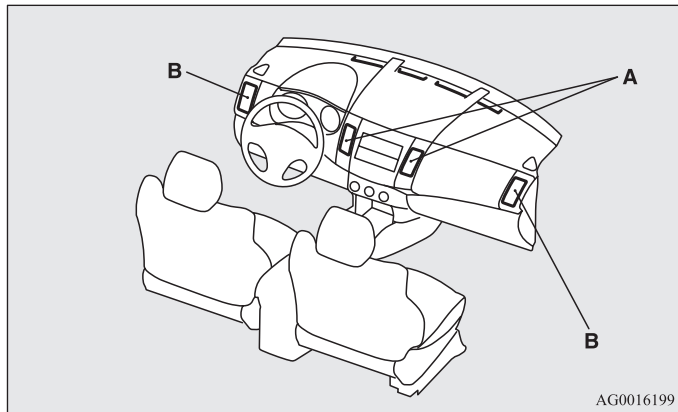
Comfort controls

Vents	5- 2	To use the external audio input function (if so equipped)	5-118
Manual air conditioning-Type 1 (if so equipped)	5- 6	To listen to a disc in the rear-seat display (vehicles with rear-seat display)	5-119
Manual air conditioning-Type 2 (if so equipped)	5- 16	Steering wheel audio remote control switch (if so equipped)	5-120
Automatic air conditioning-Type1 (if so equipped)	5- 25	Error codes	5-123
Automatic air conditioning-Type2 (if so equipped)	5- 35	Error codes (SIRIUS Satellite Radio) (if so equipped)	5-125
Important air conditioning operating tips	5- 45	Error codes (iPod)	5-127
Air purifier	5- 46	Error codes (USB memory device)	5-129
AM/FM electronically tuned radio with CD player (RBDS and MP3 compatible) (if so equipped)	5- 46	Handling of compact discs	5-131
AM/FM electronically tuned radio with 6 CD autochanger (RBDS and MP3 compatible) (if so equipped)	5- 66	Antenna	5-134
To play tracks from USB device (if so equipped)	5- 97	Clock (if so equipped)	5-136
To play tracks from a Bluetooth® device (vehicles with Bluetooth® 2.0 interface)	5-114	General information about your radio	5-137

Comfort controls

Vents

N00729900236



- A- Center vents
- B- Side vents

5

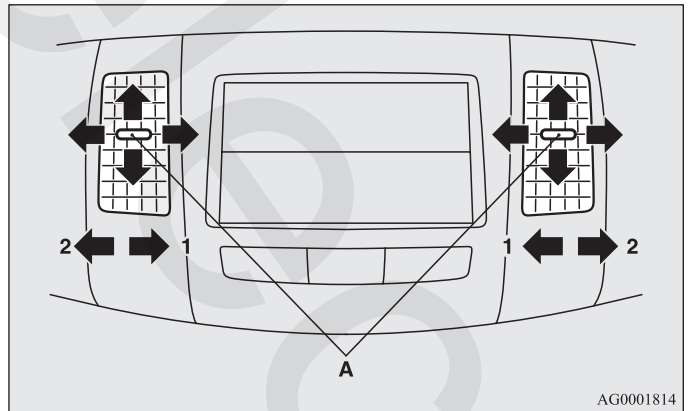
Air flow and direction adjustments

N00730200297

Center vents

Move the knob (A) to make adjustments.

To close the vent, move the knob (A) to the inside as far as possible.

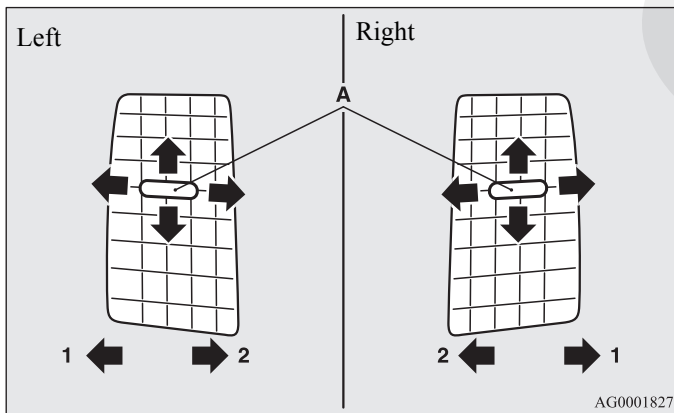


- 1- Close
- 2- Open

Comfort controls

Side vents

Move the knob (A) to make adjustments.
To close the vent, move the knob (A) to the outside as far as possible.



- 1- Close
- 2- Open

NOTE

- On rare occasions, air from the vents of an air-conditioned vehicle may be foggy. This is only moist air cooling suddenly and does not indicate a problem.
- Do not let drinks or other liquids get into the vents as they could prevent the air conditioning from operating normally.

Changing the mode selection

N00736400578

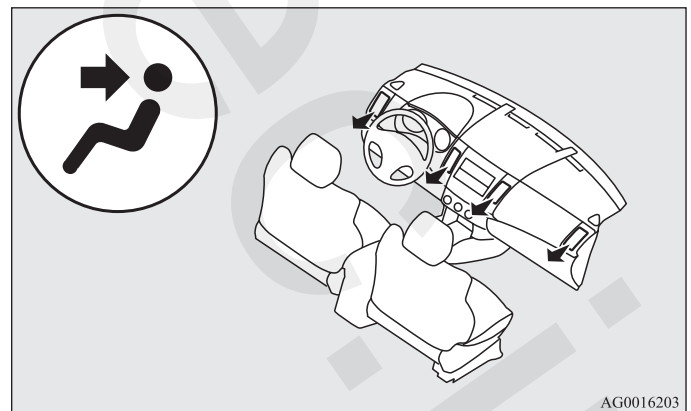
To change the position and amount of air flowing from the vents, turn the mode selection dial. Refer to “Mode selection dial” on page 5-7, 5-17, 5-27, 5-37.

These symbols are used in the next several illustrations to demonstrate the quantity of air coming from the vents.

- : Small amount of air from the vents
- ➔ : Medium amount of air from the vents
- ➔➔ : Large amount of air from the vents

Face position

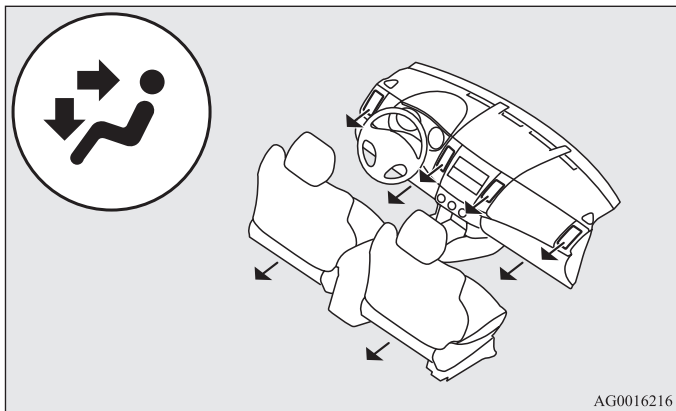
Air flows only to the upper part of the passenger compartment.



Comfort controls

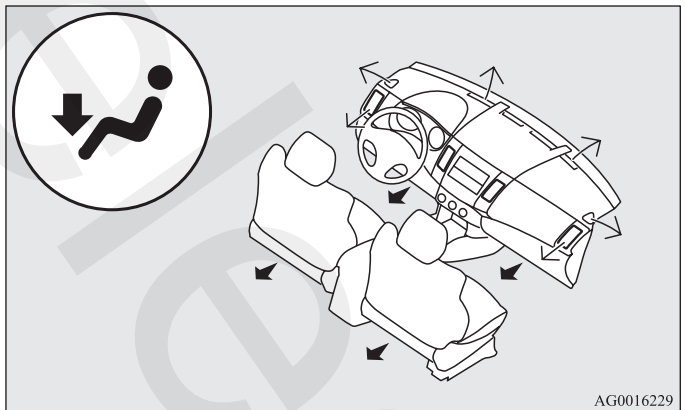
Foot/Face position

Air flows to the upper part of the passenger compartment, and flows to the leg area.



Foot position

Air flows mainly to the leg area.



5

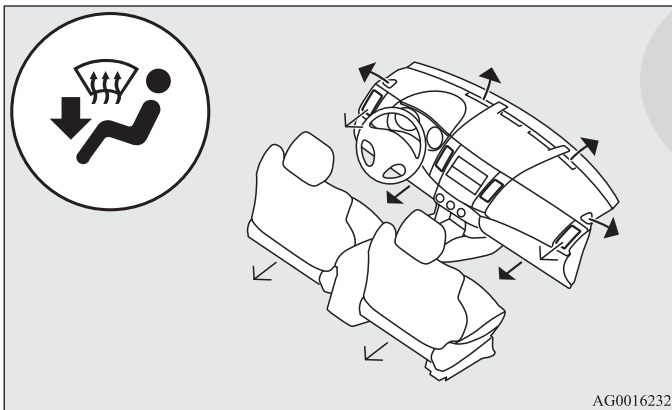
NOTE

- With the mode selection dial between the “ ” and “ ” positions, air flows mainly to the upper part of the passenger compartment. With the mode selection dial between the “ ” and “ ” positions, air flows mainly to the leg area.

Comfort controls

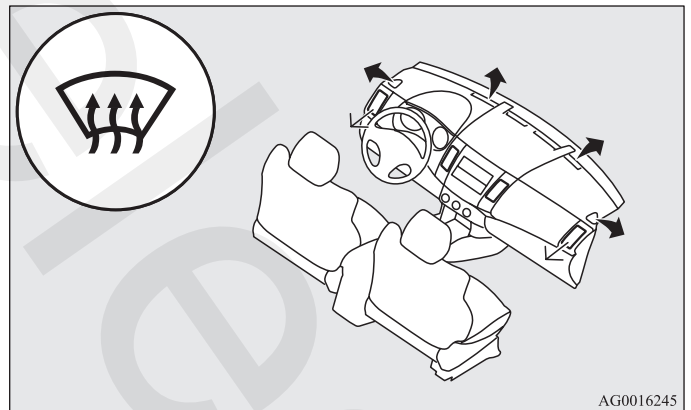
Foot/Defroster position

Air flows to the leg area, the windshield and the door windows.



Defroster position

Air flows mainly to the windshield and the door windows.



NOTE

- With the mode selection dial between the “” and “” positions, air flows mainly to the leg area. With the mode selection dial between the “” and “” positions, air flows mainly to the windshield and the door windows.

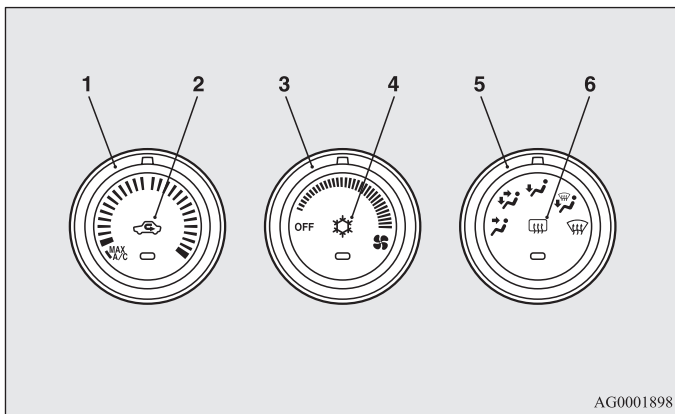
Comfort controls

Manual air conditioning-Type 1 (if so equipped)

N00730300272

Control panel

N00730500186

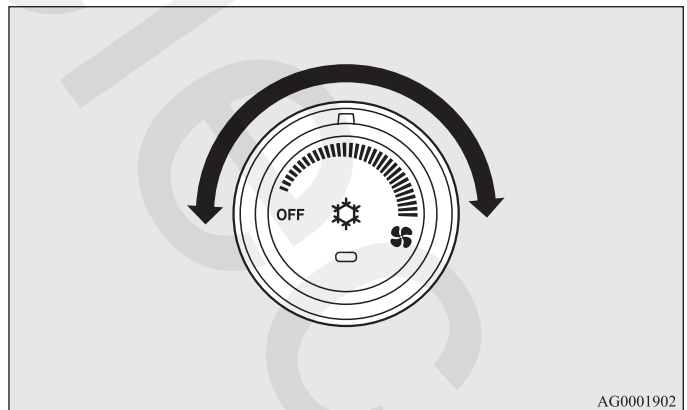


- 1- Temperature control dial
- 2- Air selection switch
- 3- Blower speed selection dial
- 4- Air conditioning switch
- 5- Mode selection dial
- 6- Electric rear window defogger switch→ P.3-237

Blower speed selection dial

N00736500146

When the ignition switch is in the “ON” position, select the blower speed by turning the blower speed selection dial. Turning the dial clockwise will increase the blower speed; turning the dial counterclockwise will decrease it. When the dial is set to the “OFF” position, all fan-driven airflow will stop.

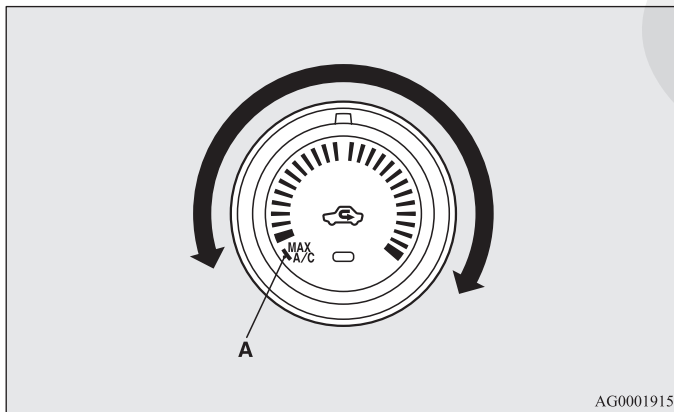


Comfort controls

Temperature control dial

N00736600189

Turn the temperature control dial clockwise to make the air warmer. Turn it counterclockwise to make the air cooler.



Mode selection dial

N00736700151

To change the amount of air flowing from the vents, turn the mode selection dial. Refer to “Changing the mode selection” on page 5-3.



NOTE

- While the engine coolant temperature is low, the temperature of the air from the heater will be cool/cold until the engine warms up, even if you have selected warm air with the dial.
- For instructions on how to use the “MAX A/C” position (A), refer to “For quick cooling” on page5-12.

Comfort controls

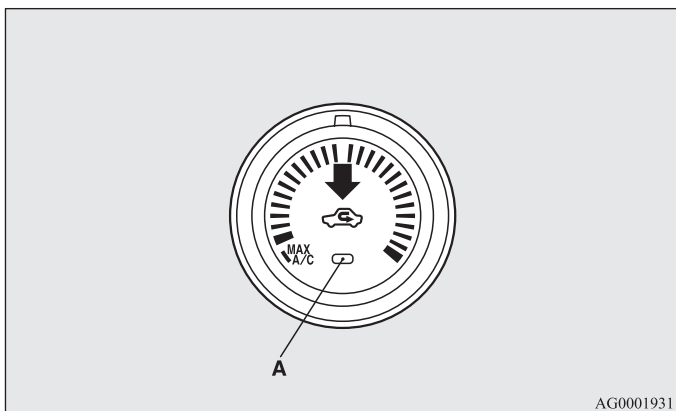
Air selection switch

N00736800370

Normally, use the outside position to keep the windshield and side windows clear and to quickly remove fog or frost from the windshield.

To change the air selection, simply press the air selection switch. A sound will be made every time you push the switch.

- Outside air {Indicator light (A) OFF}
- Recirculated air {Indicator light (A) ON}



AG0001931

When the air conditioning turns on, the air selection is controlled automatically.

When the air conditioning turns off, the air selection automatically goes back to the outside position.

The air selection indicator light (A) shows the selected position.

NOTE

- When the air conditioning operates with the air selection switch in the outside position, the system automatically determines whether to continue using outside air or to perform recirculation.

If the outside temperature is high, the system selects recirculation to achieve rapid cooling and causes the air selection indicator in the switch to illuminate. When the air conditioning turns off or the blower speed selection dial is set to the "OFF" position, the air selection automatically goes back to the outside position.


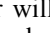
If the outside air is dusty or contaminated in some way, use the recirculation position. Switch to the outside air position every now and then to keep the windows from fogging up.

CAUTION

- Using recirculated air for a long time may cause the windows to fog up.

Comfort controls

NOTE

- While the mode selection dial is set between “” and “” position, the air conditioning compressor will run automatically. The outside air position will also be selected automatically. (In this case, the air conditioning indicator will not change.)
- When the temperature control dial is set to the “MAX A/C” position, the air selection will be automatically set to the recirculation position.
- When the temperature control dial is in the “MAX A/C” position, if it is set to a position other than “MAX A/C”, the setting for the air selection switch is selected as described below. The selection of recirculated air or outside air depends on the setting before “MAX A/C” was used.
 - If automatic control was set:
Automatic control is continued
 - If recirculated air was selected:
Recirculated air is selected
 - If outside air was selected:
Outside air is continued



Personalizing the air selection (Changing the function setting)

N00702100015

You can change the following functions to match your preference.

- **Enable automatic air control:**
When the air conditioning operates, the air selection switch will be automatically controlled.
- **Disable automatic air control:**
Even when the air conditioning operates, the air selection switch will not be automatically controlled.
- **Changing the settings**
Press the air selection switch for about 10 seconds or longer.
When the setting has changed, the system will beep and the indicator light will flash.
 - When the setting has changed from enabled to disabled, the system will beep three times and the indicator will flash three times.
 - When the setting has changed from disabled to enabled, the system will beep two times and the indicator light will flash three times.

NOTE

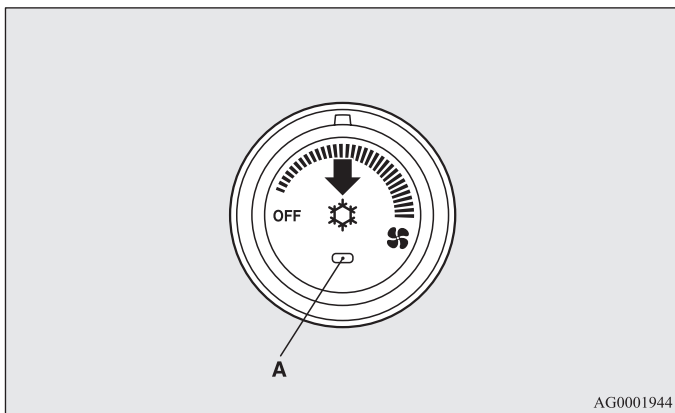
- The factory setting is “Enable automatic air control”.
- While the mode selection dial is set between “” and “” position, the air selection will automatically change to the outside air position, even if the system is set to “Disable automatic air control”, in order to prevent windows from fogging up.

Comfort controls

Air conditioning switch

N00731000377

Push the switch, and the air conditioning compressor will turn on. The air conditioning indicator light (A) will come on. A sound will be made every time you push the switch.



NOTE

- If a problem is detected in the air conditioning compressor, the air conditioning indicator light (A) blinks. Press the air conditioning switch once to turn it off, then once more to turn it back on. If the air conditioning indicator light (A) does not blink, there is no problem. If it does blink, have it checked at an authorized Mitsubishi Motors dealer or a repair facility of your choice.
- Sometimes, for example after using a high-pressure car wash, the condenser can get wet, and the air conditioning indicator light (A) blinks temporarily. Wait for a while, press the air conditioning switch once to turn the system off, then once more to turn it back on. Once the water evaporates, the blinking will stop.

5

Push the switch again and the air conditioning compressor will stop and the indicator light (A) goes off.

CAUTION


- Using the air conditioning slightly increases the engine idle speed. Therefore, make sure your foot is firmly on the brake pedal when shifting the transaxle into drive.

Comfort controls

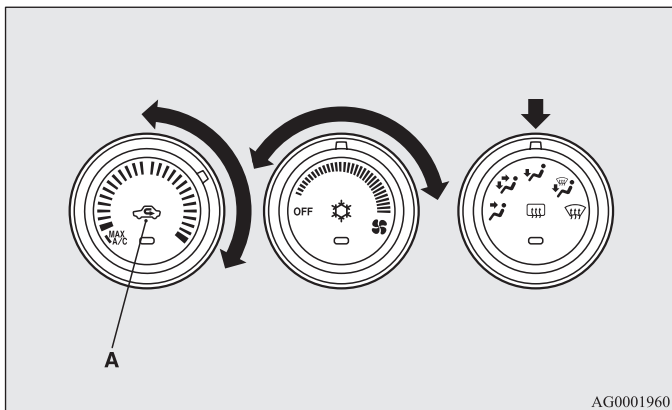
Operating the air conditioning system

N00731100222

Heating

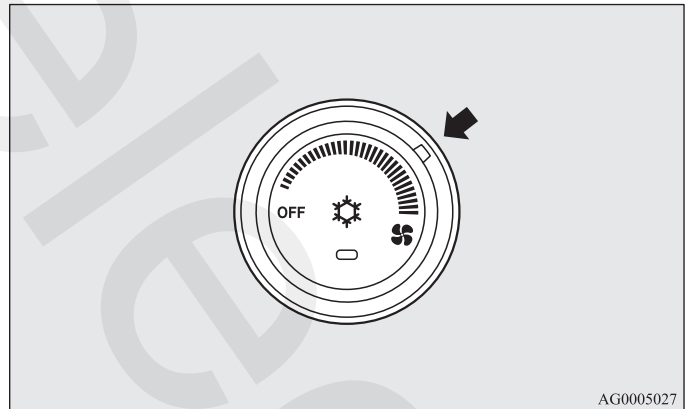
Set the mode selection dial to the “” position and set the air selection switch (A) to the outside air position.

Turn the temperature control dial clockwise or counterclockwise to the desired temperature. Select the best speed to fit your needs.



NOTE

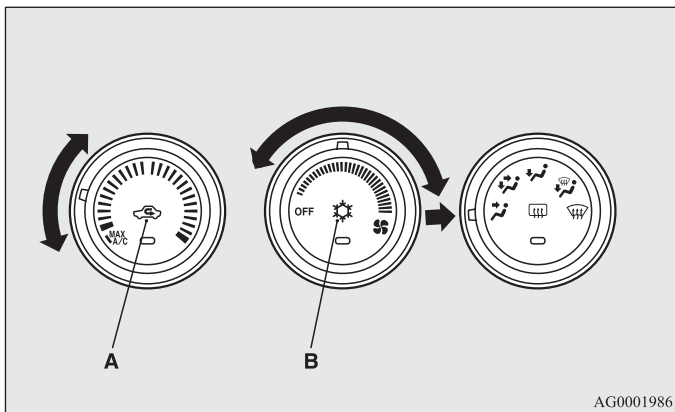
- For quick heating, set the blower speed selection dial to the position shown in the illustration.

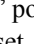


Comfort controls


Cooling

For ordinary cooling

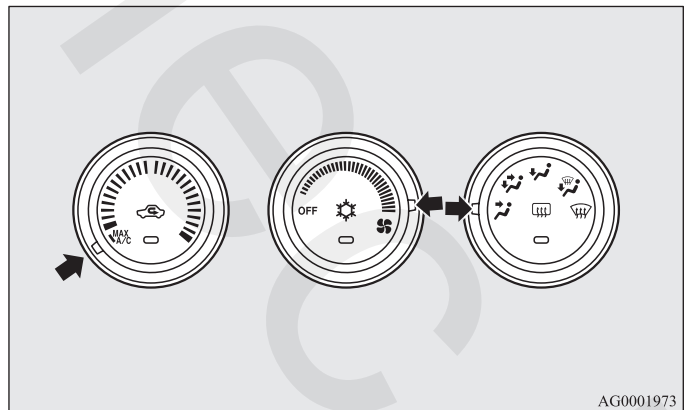


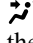
1. Set the mode selection dial to the “” position.
2. Push the air selection switch (A) to set it to the outside position.
3. Push the air conditioning switch (B).
4. Change the temperature by turning the control dial clockwise or counterclockwise.
5. Set the desired blower speed.

NOTE

- If the outside air is dusty or contaminated in some way, push the air selection switch (A) to set it to the recirculation position. Let in some outside air from time to time for good ventilation.
- To cool the leg areas, set the mode selection dial to the “” position.

For quick cooling



1. Set the mode selection dial to the “” position.
2. Set the temperature control dial to the “MAX A/C” position.
3. Set the blower speed to the highest position.

Comfort controls

NOTE

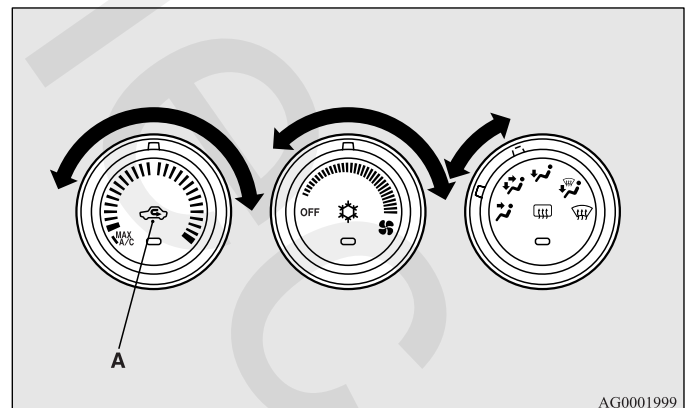
- When the temperature control dial is set to the “MAX A/C” position, the air conditioning compressor will run automatically and the light will come on. The recirculation position will be selected automatically. In this case, you cannot turn the air conditioning off or select the outside position.
- When the temperature control dial is set to a position other than “MAX A/C”, the air selection will automatically change to outside air. The air conditioning will revert to the previous condition in which the “MAX A/C” position was not selected.

Combination of unheated air and heated air

N00731300208

Set the mode selection dial to the positions shown in the illustration and set the air selection switch (A) to the outside position.

Warm air flows to the leg area and unheated or slightly warm air (depending upon the position of the temperature control dial) flows to the upper part of the passenger compartment.





Comfort controls

Defrosting or defogging (windshield, door windows)

N00731400427

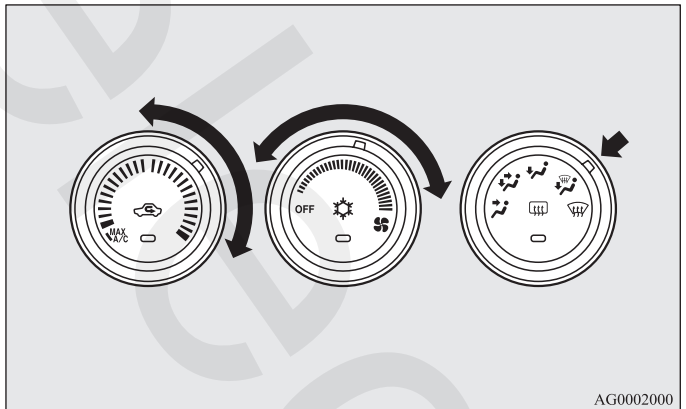
CAUTION


- For safety, make sure you have a clear view through all the windows.

Set the mode selection dial (between “” and “”) to remove frost or mist from the windshield and door window.

For ordinary defrosting

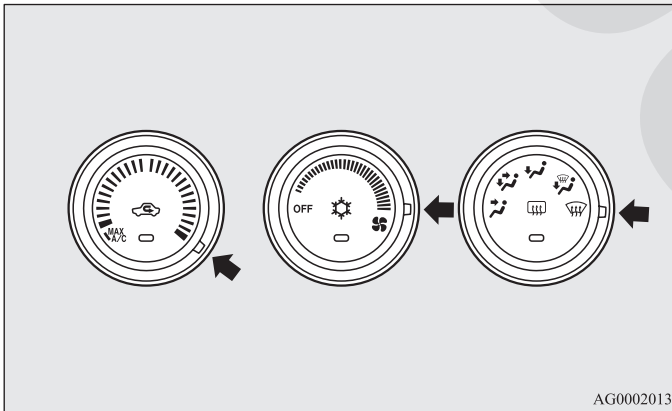
Use this setting to keep the windshield and door windows clear of mist, and to keep the leg area heated (when driving in rain or snow).



1. Set the mode selection dial to the “” position.
2. Select your desired blower speed by turning the blower speed selection dial.
3. Select your desired temperature by turning the temperature control dial.

Comfort controls

For quick defrosting



1. Set the mode selection dial to the “☀️” position.
2. Set your blower to the maximum speed.
3. Set the temperature to the highest position.

NOTE

- While the mode selection dial is set between “☀️” and “☀️” position, the air conditioning compressor will run automatically. The outside air position will also be automatically selected. (In this case, the air conditioning indicator will not change.)
- While the between “☀️” and “☀️” position is selected, you cannot turn the air conditioning off or select the recirculation position. This prevents the windows from fogging up.
- To defog quickly, direct the air flow from the side vents toward the door windows.
- When defrosting, do not set the temperature control dial near the “MAX A/C” cool position. This would blow cool air on the window glass and fog it up.

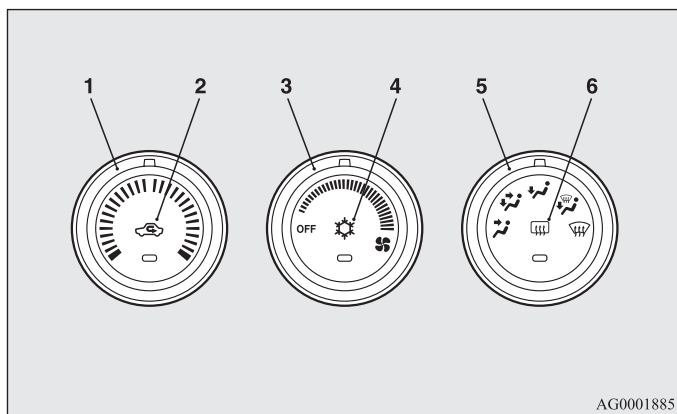
Comfort controls

Manual air conditioning-Type 2 (if so equipped)

N00730300302

Control panel

N00730500173



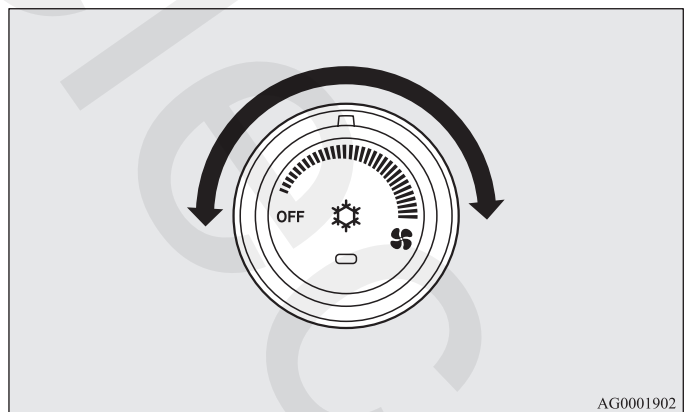
5

- 1- Temperature control dial
- 2- Air selection switch
- 3- Blower speed selection dial
- 4- Air conditioning switch
- 5- Mode selection dial
- 6- Electric rear window defogger switch→ P.3-237

Blower speed selection dial

N00736500133

When the ignition switch is in the “ON” position, select the blower speed by turning the blower speed selection dial. Turning the dial clockwise will increase the blower speed; turning the dial counterclockwise will decrease it. When the dial is set to the “OFF” position, all fan-driven airflow will stop.



Comfort controls

Temperature control dial

N00736600176

Turn the temperature control dial clockwise to make the air warmer. Turn it counterclockwise to make the air cooler.



AG0004990

Mode selection dial

N00736700135

To change amount of air flowing from the vents, turn the mode selection dial. Refer to “Changing the mode selection” on page 5-3.



AG0001928

NOTE

- While the engine coolant temperature is low, the temperature of the air from the heater will be cool/cold until the engine warms up, even if you have selected warm air with the dial.

Comfort controls

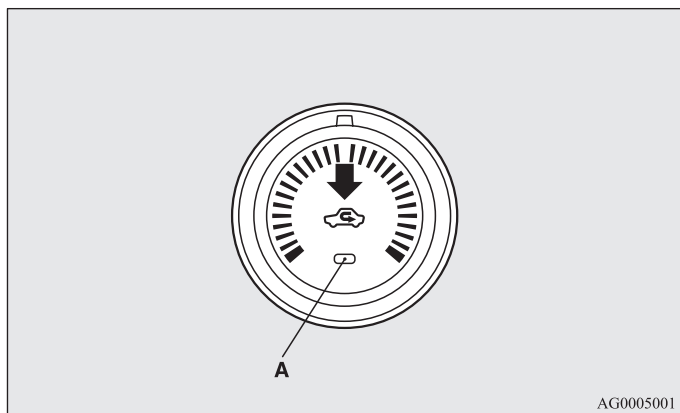
Air selection switch

N00736800309

Normally, use the outside position to keep the windshield and side windows clear and to quickly remove fog or frost from the windshield.

To change the air selection, simply press the air selection switch. A sound will be made every time you push the switch.

- Outside air {Indicator light (A) OFF}
- Recirculated air {Indicator light (A) ON}



When the air conditioning turns on, the air selection is controlled automatically.

The air selection indicator light (A) shows the selected position.

NOTE

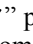
- When the air conditioning operates with the air selection switch in the outside position, the system automatically determines whether to continue using outside air or to perform recirculation. If the outside temperature is high, the system selects recirculation to achieve rapid cooling and causes the air selection indicator in the switch to illuminate. Press the air selection switch to return to outside air.

If the outside air is dusty or contaminated in some way, use the recirculation position. Switch to the outside air position every now and then to keep the windows from fogging up.

CAUTION

- Using recirculated air for a long time may cause the windows to fog up.

NOTE

- While the mode selection dial is set to the “” position, the air conditioning compressor will run automatically. The outside air position will also be selected automatically.

Comfort controls

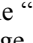
Personalizing the air selection (Changing the function setting)

N00702100044

You can change the following functions to match your preference.

- Enable automatic air control:
When the air conditioning operates, the air selection switch will be automatically controlled.
- Disable automatic air control:
Even when the air conditioning operates, the air selection switch will not be automatically controlled.
- Changing the settings
Press the air selection switch for about 10 seconds or longer.
When the setting has changed, the system will beep and the indicator light will flash.
 - When the setting has changed from enabled to disabled, the system will beep three times and the indicator will flash three times.
 - When the setting has changed from disabled to enabled, the system will beep two times and the indicator light will flash three times.

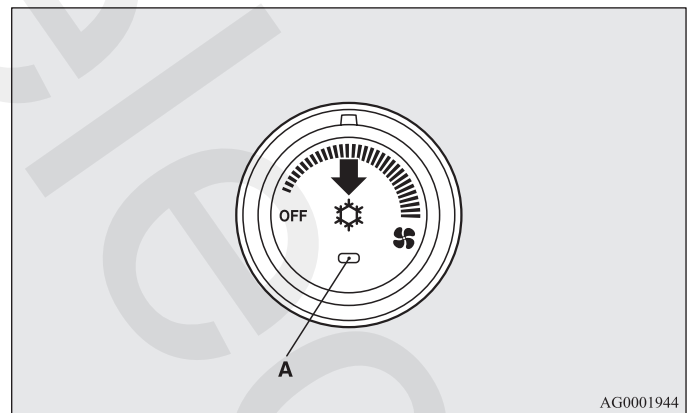
NOTE

- The factory setting is “Enable automatic air control”.
- While the mode selection dial is set to the “” position, the air selection will automatically change to the outside air position, even if the system is set to “Disable automatic air control”, in order to prevent windows from fogging up.

Air conditioning switch

N00731000364

Push the switch, and the air conditioning compressor will turn on. The air conditioning indicator light (A) will come on. A sound will be made every time you push the switch.



AG0001944

Push the switch again and the air conditioning compressor will stop and the indicator light (A) goes off.

CAUTION

- Using the air conditioning slightly increases the engine idle speed. Therefore, make sure your foot is firmly on the brake pedal when shifting the transaxle into drive.

Comfort controls

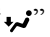
NOTE

- If a problem is detected in the air conditioning compressor, the air conditioning indicator light (A) blinks. Press the air conditioning switch once to turn it off, then once more to turn it back on. If the air conditioning indicator light (A) does not blink, there is no problem. If it does blink, have it checked at an authorized Mitsubishi Motors dealer or a repair facility of your choice.
- Sometimes, for example after using a high-pressure car wash, the condenser can get wet, and the air conditioning indicator light (A) blinks temporarily. Wait for a while, press the air conditioning switch once to turn the system off, then once more to turn it back on. Once the water evaporates, the blinking will stop.

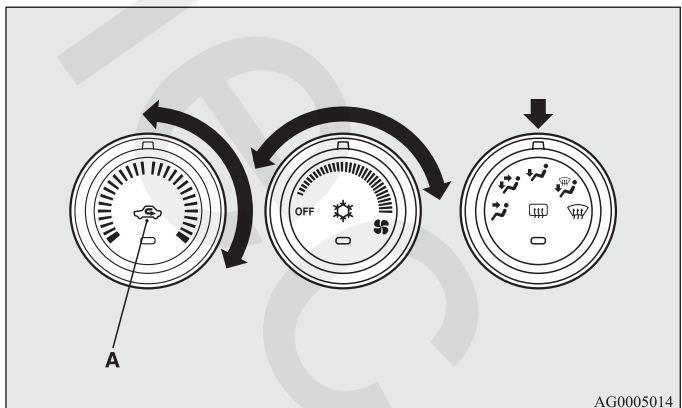
Operating the air conditioning system

N00731100219

Heating

Set the mode selection dial to the “” position and set the air selection switch (A) to the outside air position.

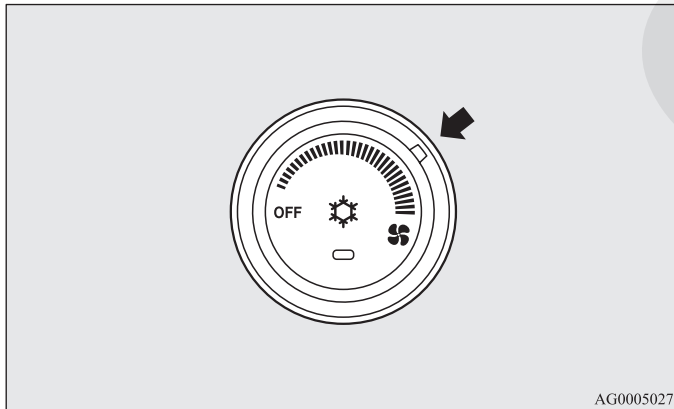
Turn the temperature control dial clockwise or counterclockwise to the desired temperature. Select the best speed to fit your needs.



Comfort controls

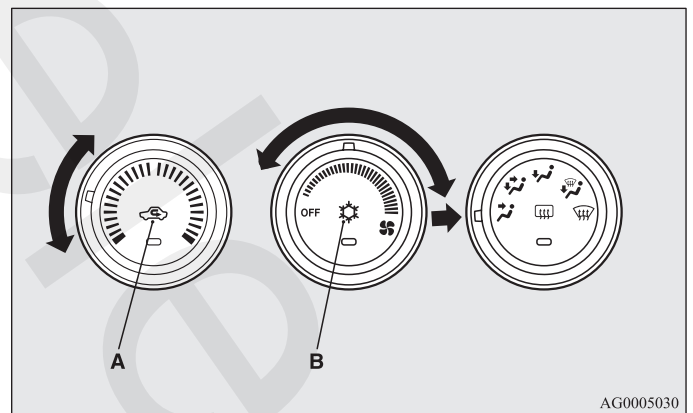
NOTE


- For quick heating, set the blower speed selection dial to the position shown in the illustration.



Cooling

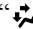
N00731200324



1. Set the mode selection dial to the “” position.
2. Push the air selection switch (A) to set it to the outside position.
3. Push the air conditioning switch (B).
4. Change the temperature by turning the control dial clockwise or counterclockwise.
5. Set the desired blower speed.

Comfort controls

NOTE

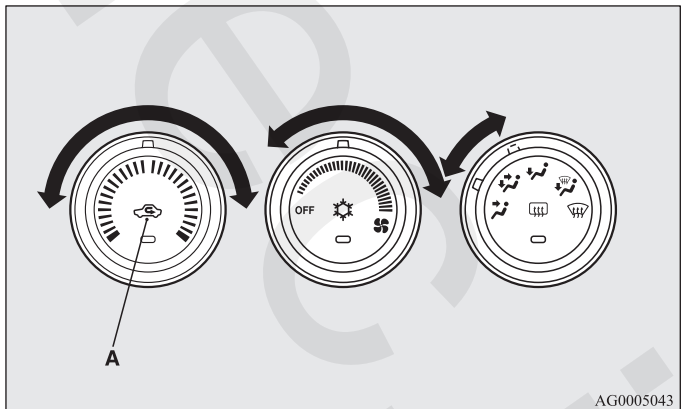
- If the outside air is dusty or contaminated in some way, push the air selection switch (A) to set it to the recirculation position. Let in some outside air from time to time for good ventilation.
- To cool the leg areas, set the mode selection dial to the “” position.

Combination of unheated air and heated air

N00731300181

Set the mode selection dial to the positions shown in the illustration and set the air selection switch (A) to the outside position.

The air flow will be directed to the leg area and the upper part of the passenger compartment. Set the desired blower speed. Warm air flows to the leg area and unheated or slightly warm air (depending upon the position of the temperature control dial) flows to the upper part of the passenger compartment.

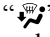
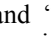


Defrosting or defogging (windshield, door windows)

N00731400528

CAUTION

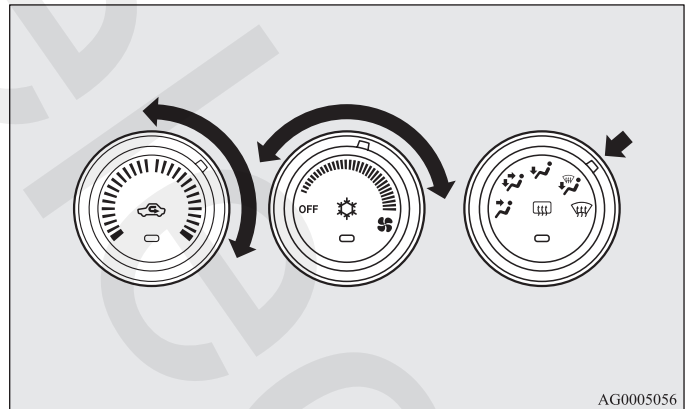
- For safety, make sure you have a clear view through all the windows.


Set the mode selection dial (between “” and “”) to remove frost or mist from the windshield and door window.

Comfort controls

For ordinary defrosting

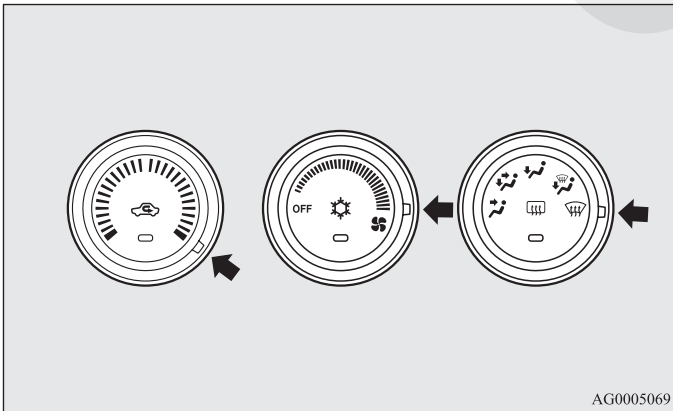
Use this setting to keep the windshield and door windows clear of mist, and to keep the leg area heated (when driving in rain or snow).



1. Set the mode selection dial to the “” position.
2. Select your desired blower speed by turning the blower speed selection dial.
3. Select your desired temperature by turning the temperature control dial.

Comfort controls

For quick defrosting



1. Set the mode selection dial to the “☼” position.
2. Set your blower to the maximum speed.
3. Set the temperature to the highest position.

NOTE

- While the mode selection dial is set to the “☼” position, the air conditioning compressor will run automatically. The outside air position will also be automatically selected.
- While the “☼” position is selected, you cannot turn the air conditioning off or select the recirculation position. This prevents the windows from fogging up.
- To defog quickly, direct the air flow from the side vents toward the door windows.
- When defrosting, do not set the temperature control dial near the maximum cool position. This would blow cool air on the window glass and fog it up.

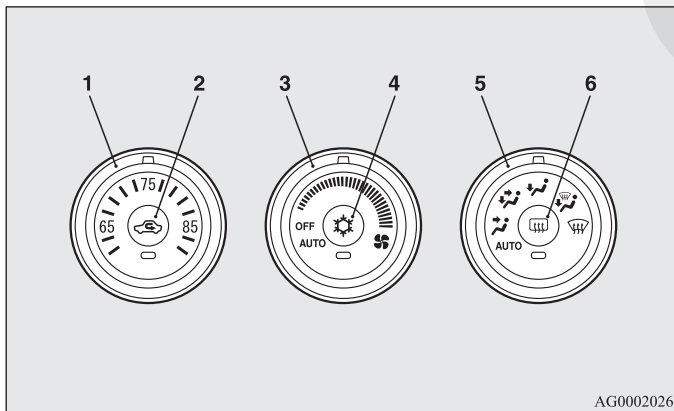
Comfort controls

Automatic air conditioning-Type1 (if so equipped)

N00731500268

Control panel

N00711800425

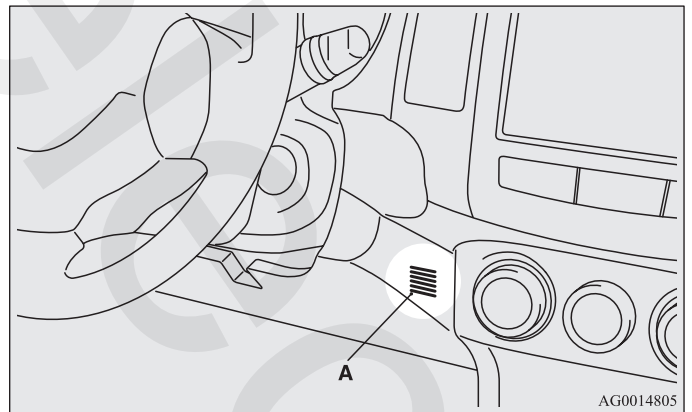


- 1- Temperature control dial
- 2- Air selection switch
- 3- Blower speed selection dial
- 4- Air conditioning switch
- 5- Mode selection dial
- 6- Electric rear window defogger switch→ P.3-237

NOTE

- There is an interior air temperature sensor (A) in the illustrated position.

Never place anything over the sensor, since doing so will prevent it from functioning properly.

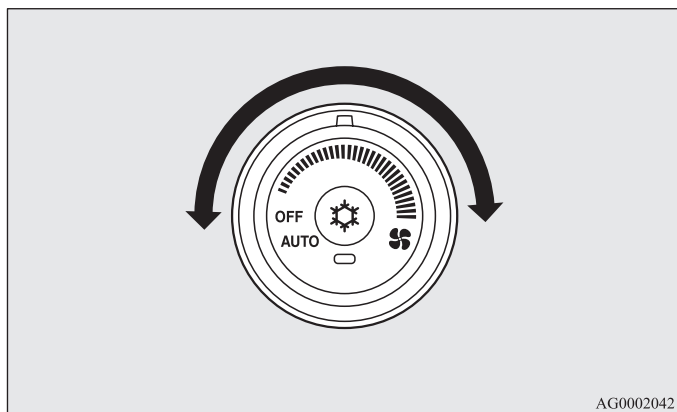


Comfort controls

Blower speed selection dial

N00736900094

When the ignition switch is in the “ON” position, select the blower speed by turning the blower speed selection dial. Turning the dial clockwise will increase the blower speed; turning the dial counterclockwise will decrease it. When the dial is set to the “OFF” position, all fan-driven airflow will stop.



Temperature control dial

N00737000207

Use this dial to adjust the temperature in the passenger compartment. Turn the temperature control dial clockwise to make the air warmer. Turn it counterclockwise to make the air cooler.



Comfort controls

NOTE

- While the engine coolant temperature is low, the temperature of the air from the heater will be cool/cold until the engine warms up, even if you have selected warm air with the dial.
- When the temperature is set to the highest or the lowest setting under the AUTO operation, the air selection and the air conditioning will be automatically changed as follows.

Also, if the air selection is operated manually after an automatic changeover, manual operation will be selected.

- Quick Heating (When the temperature is set to the highest setting)
Outside air will be introduced and the air conditioning will stop.
- Quick Cooling (When the temperature is set to the lowest setting)
Inside air will be recirculated and the air conditioning will operate.

The above indicates the factory settings. You can personalize the air selection switch and air conditioning switch to match your personal preferences.

Contact your Mitsubishi Motors dealer or a repair facility of your choice for assistance.

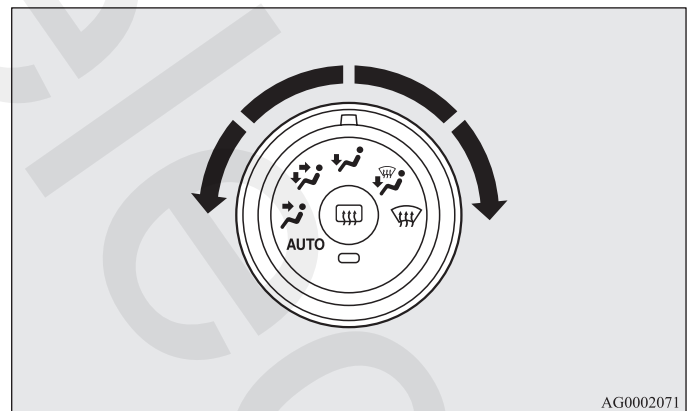
Refer to “Personalizing the air conditioning switch (Changing the function setting)” on page5-31.

Refer to “Personalizing the air selection (Changing the function setting)” on page5-29.

Mode selection dial

N00737100093

To change the amount of air flowing from the vents, turn the mode selection dial. Refer to “Changing the mode selection” on page 5-3.



Comfort controls

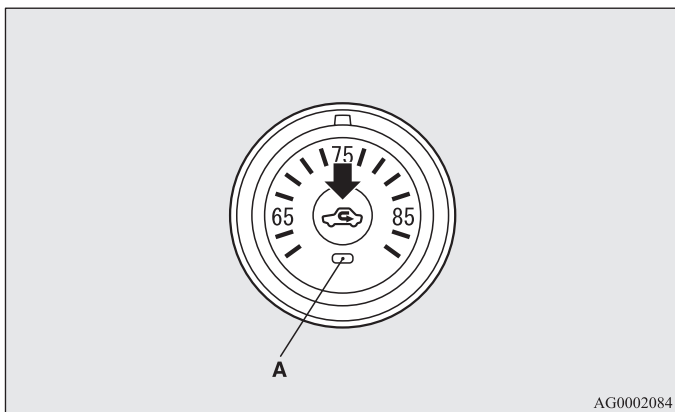
Air selection switch

N00737200209

Normally, use the outside position to keep the windshield and side windows clear and to quickly remove fog or frost from the windshield.

To change the air selection, simply press the air selection switch. A sound will be made every time you press the switch.

- Outside air {Indicator light (A) OFF}
Outside air is introduced into the passenger compartment.
- Recirculated air {Indicator light (A) ON}
Air is recirculated inside the passenger compartment.



AG0002084

When the air conditioning turns on, the air selection is controlled automatically. When the air conditioning turns off, the air selection automatically goes back to the outside position.

If high cooling performance is desired, or if the outside air is dusty or contaminated in some way, use the recirculation position. Switch to the outside position every now and then to keep the windows from fogging up.

CAUTION

- Using recirculated air for a long time may cause the windows to fog up.

NOTE

- If the mode selection dial is set between “” and “” you cannot turn the air conditioning off or select the recirculation position.
This prevents the windows from fogging up.
- When the mode selection dial or the blower speed selection dial is set to the “AUTO” position again after manual operation, the air selection switch will also be automatically controlled.

Comfort controls


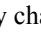
Personalizing the air selection (Changing the function setting)

N0076000018

You can change the following functions to match your preference.

- **Enable automatic air control:**
When the mode selection dial or the blower speed selection dial is set to the “AUTO” position, the air selection switch will also be automatically controlled.
- **Disable automatic air control:**
Even when the mode selection dial or the blower speed selection dial is set to the “AUTO” position, the air selection switch will not be automatically controlled.
- **Changing the settings**
Press the air selection switch for about 10 seconds or longer.
When the setting has changed, the system will beep and the indicator light will flash.
 - When the setting has changed from enabled to disabled, the system will beep three times and the indicator will flash three times.
 - When the setting has changed from disabled to enabled, the system will beep two times and the indicator light will flash three times.

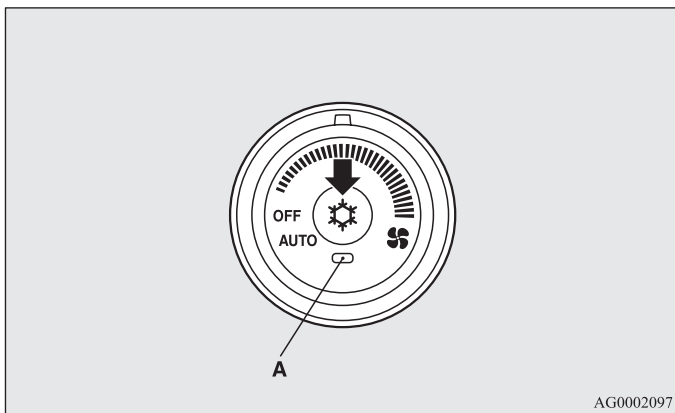
NOTE

- The factory setting is “Enable automatic air control”.
- While the mode selection dial is set between “” and “” position, the air selection will automatically change to the outside air position, even if the system is set to “Disable automatic air control”, in order to prevent windows from fogging up.

Comfort controls

Air conditioning switch

Push the switch, and the air conditioning compressor will turn on. The air conditioning indicator light (A) will come on. A sound will be made every time you push the switch.



NOTE

- If a problem is detected in the air conditioning compressor, the air conditioning indicator light (A) blinks. Press the air conditioning switch once to turn it off, then once more to turn it back on. If the air conditioning indicator light does not blink there is no problem. If it does blink, have it checked at an authorized Mitsubishi Motors dealer or a repair facility of your choice.
- Sometimes, for example after using a high-pressure car wash, the condenser can get wet, and the air conditioning indicator light (A) blinks temporarily. Wait for a while, press the air conditioning switch once to turn the system off, then once more to turn it back on. Once the water evaporates, the blinking will stop.

5

Push the switch again and the air conditioning compressor will stop and the indicator light (A) goes off.

CAUTION

- Using the air conditioning slightly increases the engine idle speed. Therefore, make sure your foot is firmly on the brake pedal when shifting the transaxle into drive.

Comfort controls


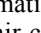
Personalizing the air conditioning switch (Changing the function setting)

N0075980045

You can change the following functions to match your preference.

- Enable automatic air conditioning control:
When the mode selection dial or blower speed selection dial has been set to the “AUTO” position or when the temperature control dial has been set to the minimum temperature, the air conditioning switch is automatically controlled.
- Disable automatic air conditioning control:
The air conditioning switch is not automatically controlled, unless the air conditioning switch is used.
- Changing the settings
Press the air conditioning switch for about 10 seconds or longer.
When the setting has changed, the system will beep and the indicator light will flash.
 - When the setting has changed from enabled to disabled, the system will beep three times and the indicator will flash three times.
 - When the setting has changed from disabled to enabled, the system will beep two times and the indicator light will flash three times.

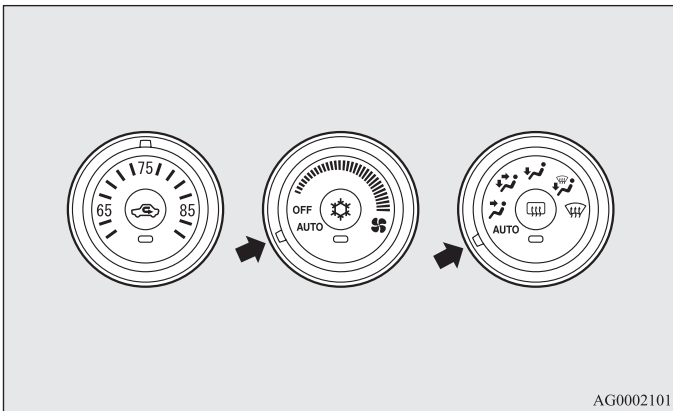
NOTE

- The factory setting is “Enable automatic air conditioning control”.
- While the mode selection dial is set between “” and “” position, the air conditioning will run automatically, even if the system is set to “Disable automatic air conditioning control”, in order to prevent windows from fogging up.

Comfort controls

Operating the air conditioning system (automatic mode)

N00731700260



NOTE

- Set the temperature at about 75 under normal conditions.
- While the engine coolant temperature is low, the temperature of the air from the heater will be cool/cold until the engine warms up, even if you have selected warm air with the dial. To prevent the windshield and windows from fogging up, the vent mode will be changed to “” or “” and the blower speed will be reduced.

5

In normal conditions, use the system in the AUTO mode and follow these procedures:

1. Set the blower speed selection dial to the “AUTO” position.
2. Select the temperature control dial to the desired temperature. The temperature can be set within a range of around 61 to 89. The temperature will increase as the dial is turned to the right.
3. Set the mode selection dial to the “AUTO” position.

The vents (except between “” and “”), recirculation/outside air, blower speed, and ON/OFF of air conditioning will be controlled automatically.

Comfort controls


Operating the air conditioning system (manual mode)


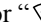
N00731800072

Blower speed and vent mode may be controlled manually by setting the blower speed selection dial and the mode selection dial to the desired positions. To return to automatic operation, set the dials to the “AUTO” position.

Defrosting or defogging (windshield, door windows)

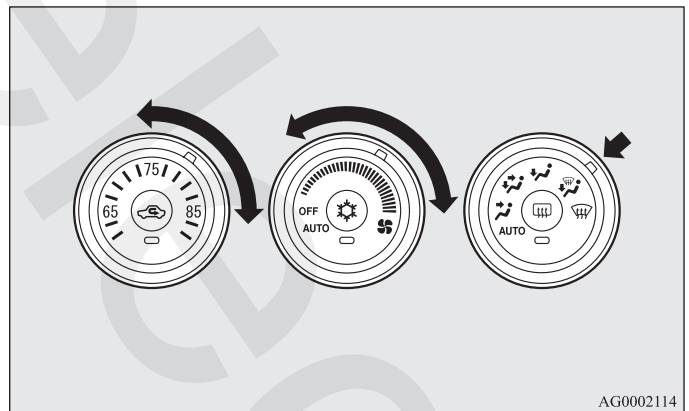
N00732400280

 CAUTION
<p>● For safety, make sure you have a clear view through all the windows.</p>

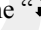
To remove frost or mist from the windshield and door windows, use the mode selection dial (“” or “”).

For ordinary defrosting

Use this setting to keep the windshield and door windows clear of mist, and to keep the leg area heated (when driving in rain or snow).

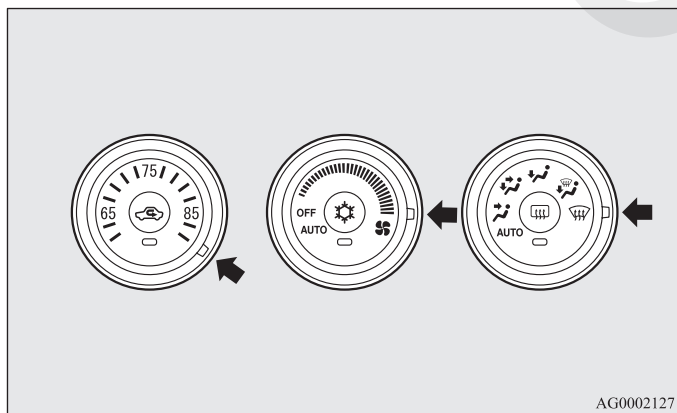


AG0002114

1. Set the mode selection dial to the “” position.
2. Select your desired blower speed by turning the blower speed selection dial.
3. Select your desired temperature by turning the temperature control dial.

Comfort controls

For quick defrosting



1. Set the mode selection dial to the “” position.
2. Set your blower to the maximum speed.
3. Set the temperature to the highest position.

NOTE

- While the mode selection dial is set between “” and “” position, the air conditioning compressor will run automatically. The outside air position will also be selected automatically.
- If the mode selection dial is set between “” and “” you cannot turn the air conditioning off or select the recirculation position. This prevents the windows from fogging up.
- To defog quickly, direct the air flow from the side vents toward the door windows.
- When defrosting, do not set the temperature control dial to the maximum cool position. This will blow cool air on the window glass and fog it up.

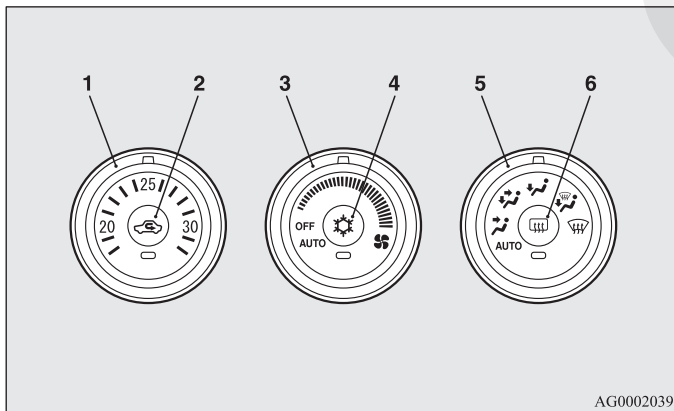
Comfort controls

Automatic air conditioning-Type2 (if so equipped)

N00731500271

Control panel

N00711800438

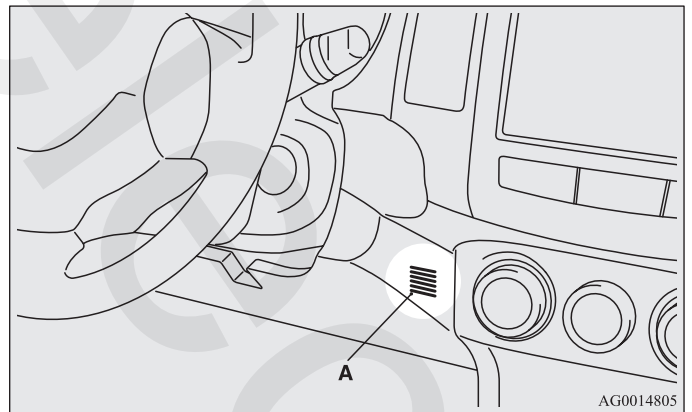


- 1- Temperature control dial
- 2- Air selection switch
- 3- Blower speed selection dial
- 4- Air conditioning switch
- 5- Mode selection dial
- 6- Electric rear window defogger switch→ P.3-237

NOTE

- There is an interior air temperature sensor (A) in the illustrated position.

Never place anything over the sensor, since doing so will prevent it from functioning properly.

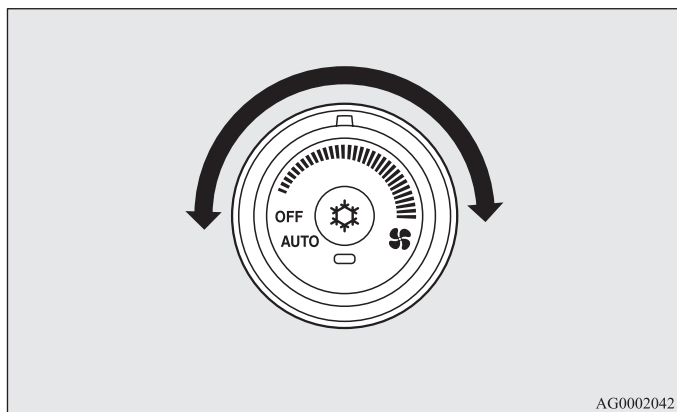


Comfort controls

Blower speed selection dial

N00736900111

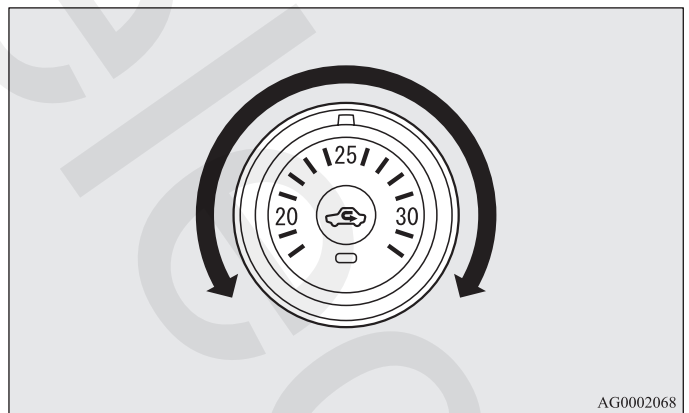
When the ignition switch is in the “ON” position, select the blower speed by turning the blower speed selection dial. Turning the dial clockwise will increase the blower speed; turning the dial counterclockwise will decrease it. When the dial is set to the “OFF” position, all fan-driven airflow will stop.



Temperature control dial

N00737000311

Use this dial to adjust the temperature in the passenger compartment. Turn the temperature control dial clockwise to make the air warmer. Turn it counterclockwise to make the air cooler.



Comfort controls

NOTE

- While the engine coolant temperature is low, the temperature of the air from the heater will be cool/cold until the engine warms up, even if you have selected warm air with the dial.
- When the temperature is set to the highest or the lowest setting under the AUTO operation, the air selection and the air conditioning will be automatically changed as follows.

Also, if the air selection is operated manually after an automatic changeover, manual operation will be selected.

- Quick Heating (When the temperature is set to the highest setting)
Outside air will be introduced and the air conditioning will stop.
- Quick Cooling (When the temperature is set to the lowest setting)
Inside air will be recirculated and the air conditioning will operate.

The above indicates the factory settings. You can personalize the air selection switch and air conditioning switch to match your personal preferences.

Contact your Mitsubishi Motors dealer or a repair facility of your choice for assistance.

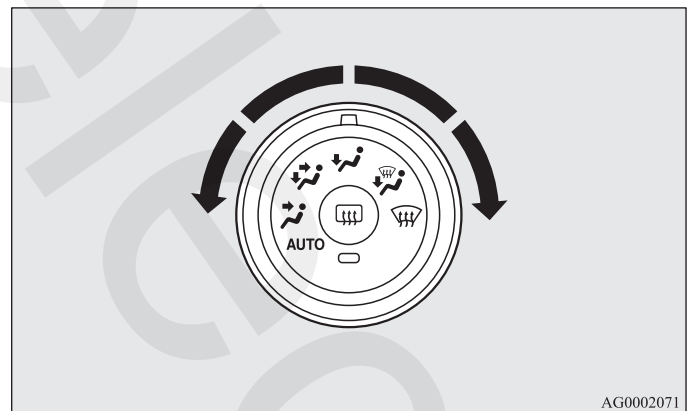
Refer to “Personalizing the air conditioning switch (Changing the function setting)” on page 5-41.

Refer to “Personalizing the air selection (Changing the function setting)” on page 5-39.

Mode selection dial

N00737100136

To change the amount of air flowing from the vents, turn the mode selection dial. Refer to “Changing the mode selection” on page 5-3.



Comfort controls

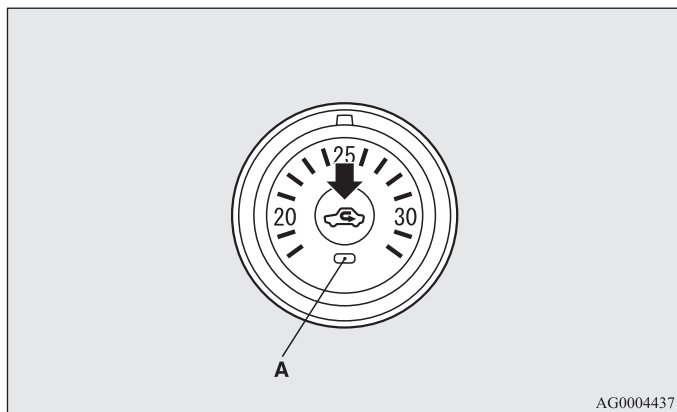
Air selection switch

N00737200355

Normally, use the outside position to keep the windshield and side windows clear and to quickly remove fog or frost from the windshield.

To change the air selection, simply press the air selection switch. A sound will be made every time you press the switch.

- Outside air {Indicator light (A) OFF}
Outside air is introduced into the passenger compartment.
- Recirculated air {Indicator light (A) ON}
Air is recirculated inside the passenger compartment.



When the air conditioning turns on, the air selection is controlled automatically. When the air conditioning turns off, the air selection automatically goes back to the outside position.

If high cooling performance is desired, or if the outside air is dusty or contaminated in some way, use the recirculation position. Switch to the outside position every now and then to keep the windows from fogging up.

CAUTION

- Using recirculated air for a long time may cause the windows to fog up.

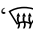
Personalizing the air selection (Changing the function setting)

N0076000021

You can change the following functions to match your preference.

- **Enable automatic air control:**
When the mode selection dial or the blower speed selection dial is set to the “AUTO” position, the air selection switch will also be automatically controlled.
- **Disable automatic air control:**
Even when the mode selection dial or the blower speed selection dial is set to the “AUTO” position, the air selection switch will not be automatically controlled.
- **Changing the settings**
Press the air selection switch for about 10 seconds or longer.
When the setting has changed, the system will beep and the indicator light will flash.
 - When the setting has changed from enabled to disabled, the system will beep three times and the indicator will flash three times.
 - When the setting has changed from disabled to enabled, the system will beep two times and the indicator light will flash three times.

NOTE

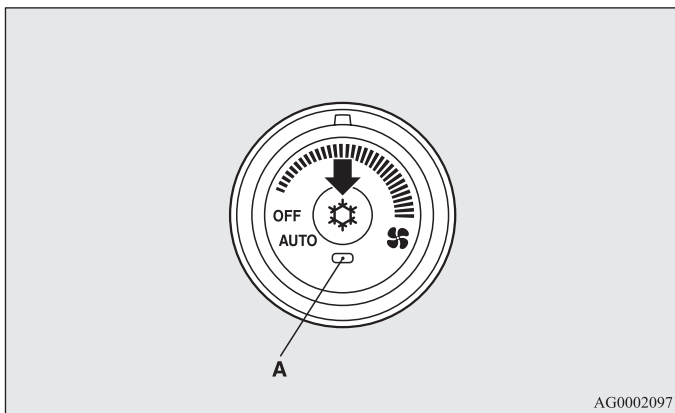
- The factory setting is “Enable automatic air control”.
- While the mode selection dial is set to the “” position, the air selection will automatically change to the outside air position, even if the system is set to “Disable automatic air control”, in order to prevent windows from fogging up.

Comfort controls

Air conditioning switch

N00737300239

Push the switch, and the air conditioning compressor will turn on. The air conditioning indicator light (A) will come on. A sound will be made every time you push the switch.



NOTE

- If a problem is detected in the air conditioning compressor, the air conditioning indicator light (A) blinks. Press the air conditioning switch once to turn it off, then once more to turn it back on. If the air conditioning indicator light does not blink there is no problem. If it does blink, have it checked at an authorized Mitsubishi Motors dealer or a repair facility of your choice.
- Sometimes, for example after using a high-pressure car wash, the condenser can get wet, and the air conditioning indicator light (A) blinks temporarily. Wait for a while, press the air conditioning switch once to turn the system off, then once more to turn it back on. Once the water evaporates, the blinking will stop.

5

Push the switch again and the air conditioning compressor will stop and the indicator light (A) goes off.

CAUTION

- Using the air conditioning slightly increases the engine idle speed. Therefore, make sure your foot is firmly on the brake pedal when shifting the transaxle into drive.

Comfort controls

Personalizing the air conditioning switch (Changing the function setting)

N0075980029

You can change the following functions to match your preference.

- **Enable automatic air conditioning control:**
When the mode selection dial or blower speed selection dial has been set to the “AUTO” position or when the temperature control dial has been set to the minimum temperature, the air conditioning switch is automatically controlled.
- **Disable automatic air conditioning control:**
The air conditioning switch is not automatically controlled, unless the air conditioning switch is used.
- **Changing the settings**
Press the air conditioning switch for about 10 seconds or longer.
When the setting has changed, the system will beep and the indicator light will flash.
 - When the setting has changed from enabled to disabled, the system will beep three times and the indicator will flash three times.
 - When the setting has changed from disabled to enabled, the system will beep two times and the indicator light will flash three times.

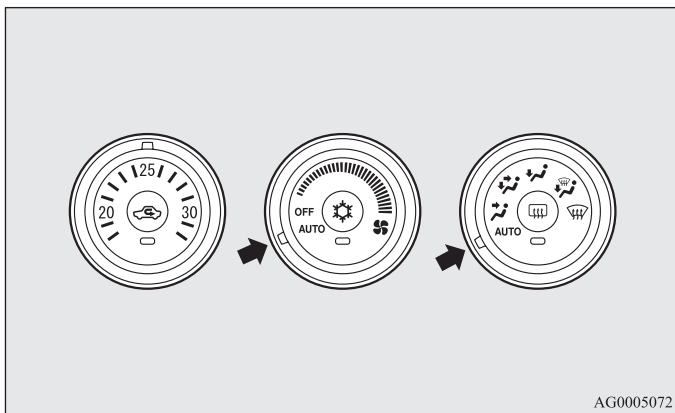
NOTE

- The factory setting is “Enable automatic air conditioning control”.
- While the mode selection dial is set to the “☞” position, the air conditioning will run automatically, even if the system is set to “Disable automatic air conditioning control”, in order to prevent windows from fogging up.

Comfort controls

Operating the air conditioning system (automatic mode)

N00731700286



NOTE

- Set the temperature at about 25 under normal conditions.
- While the engine coolant temperature is low, the temperature of the air from the heater will be cool/cold until the engine warms up, even if you have selected warm air with the dial. To prevent the windshield and windows from fogging up, the vent mode will be changed to “” or “” and the blower speed will be reduced.

5 In normal conditions, use the system in the AUTO mode and follow these procedures:

1. Set the blower speed selection dial to the “AUTO” position.
2. Select the temperature control dial to the desired temperature. The temperature can be set within a range of around 18 to 32. The temperature will increase as the dial is turned to the right.
3. Set the mode selection dial to the “AUTO” position.

The vents (except “”), recirculation/outside air, blower speed, and ON/OFF of air conditioning will be controlled automatically.

Comfort controls

Operating the air conditioning system (manual mode)

N0073180098


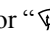
Blower speed and vent mode may be controlled manually by setting the blower speed selection dial and the mode selection dial to the desired positions. To return to automatic operation, set the dials to the “AUTO” position.

Defrosting or defogging (windshield, door windows)

N00732400323

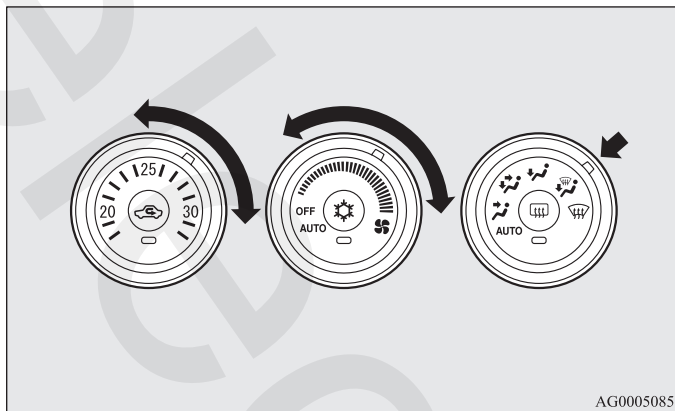
CAUTION

- For safety, make sure you have a clear view through all the windows.

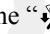
To remove frost or mist from the windshield and door windows, use the mode selection dial (“” or “”).

For ordinary defrosting

Use this setting to keep the windshield and door windows clear of mist, and to keep the leg area heated (when driving in rain or snow).

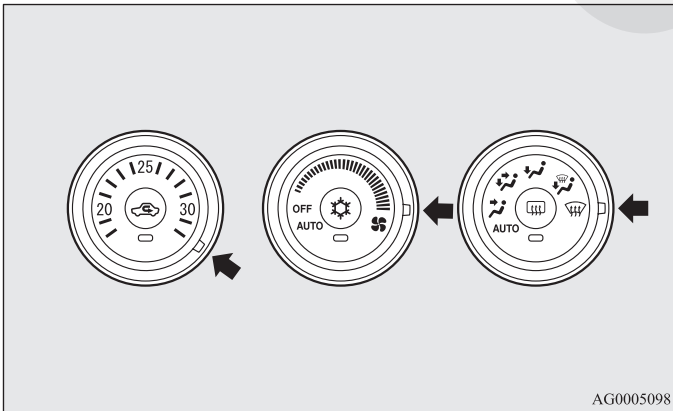


AG0005085

1. Set the mode selection dial to the “” position.
2. Select your desired blower speed by turning the blower speed selection dial.
3. Select your desired temperature by turning the temperature control dial.

Comfort controls

For quick defrosting



1. Set the mode selection dial to the “” position.
2. Set your blower to the maximum speed.
3. Set the temperature to the highest position.

NOTE

- While the mode selection dial is set to the “” position, the air conditioning compressor will run automatically. The outside air position will also be selected automatically.
- While the “” position is selected, you cannot turn the air conditioning off or select the recirculation position. This prevents the windows from fogging up.
- To defog quickly, direct the air flow from the side vents toward the door windows.
- When defrosting, do not set the temperature control dial to the maximum cool position. This will blow cool air on the window glass and fog it up.

Important air conditioning operating tips

N00733700280

1. Park the vehicle in the shade whenever possible. Parking in the hot sun makes the vehicle interior extremely hot which then requires more time to cool. If it is necessary to park in the sun, open the windows for the first few minutes of air conditioning to expel the hot air.
2. Afterwards, keep the windows closed when the air conditioning is in use. The entry of outside air through open windows will reduce cooling efficiency.
3. When running the air conditioning, make sure the air intake, which is located in front of the windshield, is free of obstructions such as leaves. Leaves collected in the air-intake chamber may reduce air flow and plug the water drains.

Air conditioning system refrigerant and lubricant recommendations

If the air conditioning seems less effective than usual, the cause might be a refrigerant leak.

Have the system inspected by your authorized Mitsubishi Motors dealer or a repair facility of your choice.

⚠ CAUTION

- **The air conditioning system in your vehicle must be charged with the refrigerant HFC-134a and the lubricant SUN-PAG56.**

Use of any other refrigerant or lubricant will cause severe damage and may require replacing your vehicle's entire air conditioning system.

The release of refrigerant into the atmosphere is not recommended.

The new refrigerant HFC-134a in your vehicle is designed not to harm the earth's ozone layer. However, it may contribute slightly to global warming.

It is recommended that the old refrigerant be saved and recycled for future use.

During a long period of disuse

The air conditioning should be operated for at least five minutes each week, even in cold weather. This includes the quick defrosting mode. Operating the air condition system weekly maintains lubrication of the compressor internal parts to keep the air conditioning in the best operating condition.

Comfort controls

Air purifier

N00733800151

The air conditioning system is equipped with an air filter to remove pollen and dust.

The air filter's ability to collect pollen and dirt is reduced as it becomes dirty, so replace it periodically. For the maintenance interval, refer to the "WARRANTY AND MAINTENANCE MANUAL".

NOTE

- Operation in certain conditions such as driving on a dusty road and frequent use of the air conditioning can lead to reduction of service life of the filter. When you feel that the air flow is lower than normal or when the windshield or windows start to fog up easily, replace the air filter. Contact your Mitsubishi Motors dealer or a repair facility of your choice for assistance.

AM/FM electronically tuned radio with CD player (RBDS and MP3 compatible) (if so equipped)

N00734300964

The audio system can only be used when the ignition switch is in the "ON" or "ACC" position.

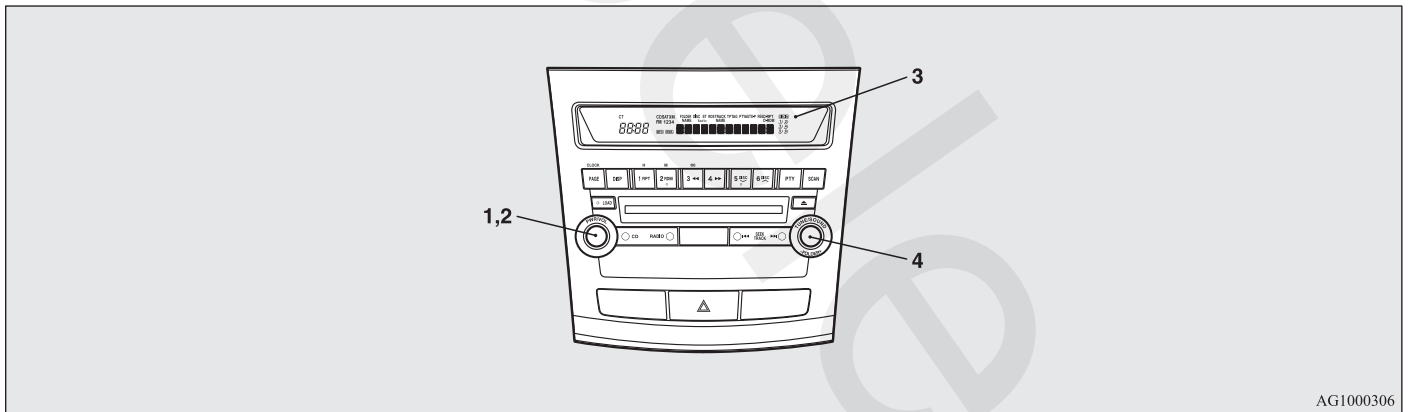
NOTE

- To listen to the audio system while the engine is not running, turn the ignition switch to the "ACC" position. If the ignition switch is left in the "ACC" position, the accessory power will automatically turn off after a certain period of time and you will no longer be able to use the audio system. The accessory power comes on again if the ignition switch is turned from the "ACC" position. Refer to "ACC power auto-cutout function" on page 3-90.
- If a cellular phone is used inside the vehicle, it may create noise in the audio equipment. This does not mean that anything is wrong with your audio equipment. In such a case, use the cellular phone at a place as far as possible from the audio equipment.
- If foreign objects or water get into the audio equipment, or if smoke or a strange odor comes from it, immediately turn off the audio system and have it checked at an authorized Mitsubishi Motors dealer or a repair facility of your choice. Never try to repair it yourself. Avoid using the audio system until it is inspected by a qualified person.
- If the audio system is damaged by foreign objects, water, or fire, have the system checked by a qualified Mitsubishi Motors technician.

Comfort controls

N00711900631

Volume and tone control panel



AG1000306

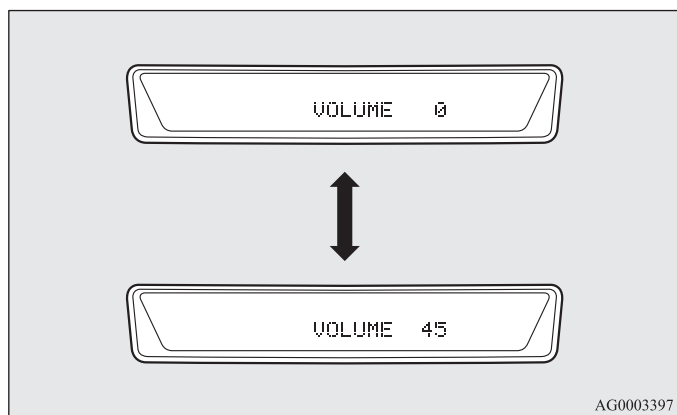
- 1- PWR (On-Off) switch
- 2- VOL (Volume control) knob
- 3- Display
- 4- SOUND (Sound control) switch

Comfort controls

To adjust the volume

Turn the VOL knob (2) clockwise to increase the volume; counterclockwise to decrease the volume. The status will be displayed in the display (3).

N00712000310



5

NOTE

- The volume control mode will shut off automatically if either the radio or CD is selected, or if no adjustment is made within about 2 seconds.

To adjust the tone

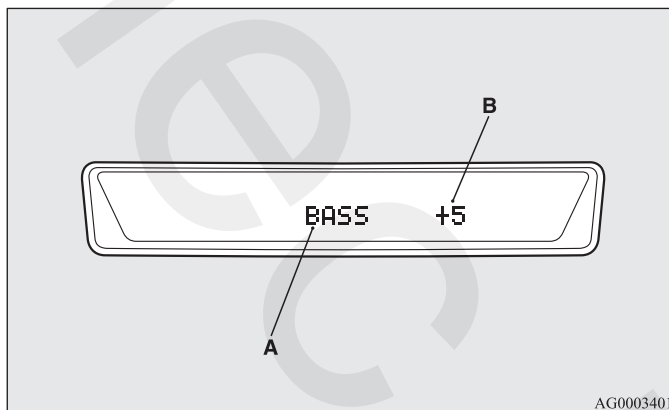
N00712100601

1. Press the SOUND switch (4) repeatedly to select the tone or balance control to change. The order is: TYPE → FIELD → BASS → MID → TREBLE → FADER → BALANCE → Audio adjust mode OFF

QUICK ACCESS MODE

To access the sound customization features quickly, push and hold the SOUND switch (4), then turn the switch clockwise or counterclockwise to access your desired sound customization setting. Release the switch to adjust the setting.

2. Turn the SOUND switch (4) either clockwise or counterclockwise to change the tone/balance setting. The status will be displayed in the display (3).



- A- Adjust mode
- B- Adjust level

Comfort controls

Adjust mode	Adjust level	Sound control switch operation	
		Counterclockwise turn	Clockwise turn
TYPE	NORMAL ↔ POP ↔ ROCK ↔ HIP-HOP ↔ COUNTRY		
FIELD	NORMAL ↔ STAGE ↔ LIVE ↔ HALL		
BASS	-6 to 6	Weaker	Stronger
MID			
TREBLE			
FADER	F11 to R11	R (Rear) increases	F (Front) increases
BALANCE	L11 to R11	L (Left) increases	R (Right) increases

TYPE (acoustic characteristic selection)

To select the desired acoustic characteristic.

Acoustic characteristic	Description
NORMAL	Sounds good for all types of music.
POP	Tight bass and high frequency sound.
ROCK	Tuned for hard rock and heavy metal with powerful drums, guitars, and vocals.
HIP-HOP	Deep bass punch and well-defined vocals.
COUNTRY	Enhanced main vocals.

Comfort controls

FIELD (Sound field selection)

To select the desired sound field.

Sound field type	Description
NORMAL	Allows the listeners to enjoy an image of a sound stage where music is performed so that the instrumental sound surrounds them, while keeping the vocalist in front.
STAGE	Places the image of a sound stage in front of the driver with the vocalist in the center (for driver only).
LIVE	Front seat occupants are surrounded by sound from front and rear speakers.
HALL	Places the image of a sound stage in front of the driver with the vocalist in the center (for driver only). Sound reflections are added to the rear speakers to simulate the experience of being at a concert hall. Best with classical or vocalist music.

BASS (Bass tone control)

To select the desired bass level.

MID (Midrange tone control)

To select the desired midrange level.

TREBLE (Treble tone control)

To select the desired treble level.

FADER (Front/Rear balance control)

To balance the volume from the F (front) and the R (rear) speakers.

BALANCE (Left/Right balance control)

To balance the volume from the L (left) and the R (right) speakers.

NOTE

- When set to “0”, it will beep.
- When TYPE or FIELD is changed, the sound will cut out briefly, but this does not indicate a malfunction.
- The audio adjust mode will automatically shut off when either the radio or CD is selected, or if no adjustment is made within about 10 seconds.
- If the SOUND switch (4) is pushed and held for more than 2 seconds during the audio adjust mode, it will change to “Hold” mode. The selected audio mode will be held until the SOUND switch (4) is pushed for more than 2 seconds again.

Speed Compensated Volume function

N00752200200

Speed Compensated Volume function is a feature that automatically adjusts the VOLUME, BASS, MID, and TREBLE settings in accordance with the vehicle speed. It is possible to turn this function ON-OFF using the following methods:

1. If you are presently pushing the SOUND switch (4) and making a tone adjustment, finish making the tone adjustment.
2. Push the SOUND switch (4) for at least about 2 seconds. The system will switch to MENU mode and the characters "SCV ON" will be shown on the display.
3. Turn the SOUND switch (4) clockwise to turn the function ON. Turn it counterclockwise to turn the function OFF.

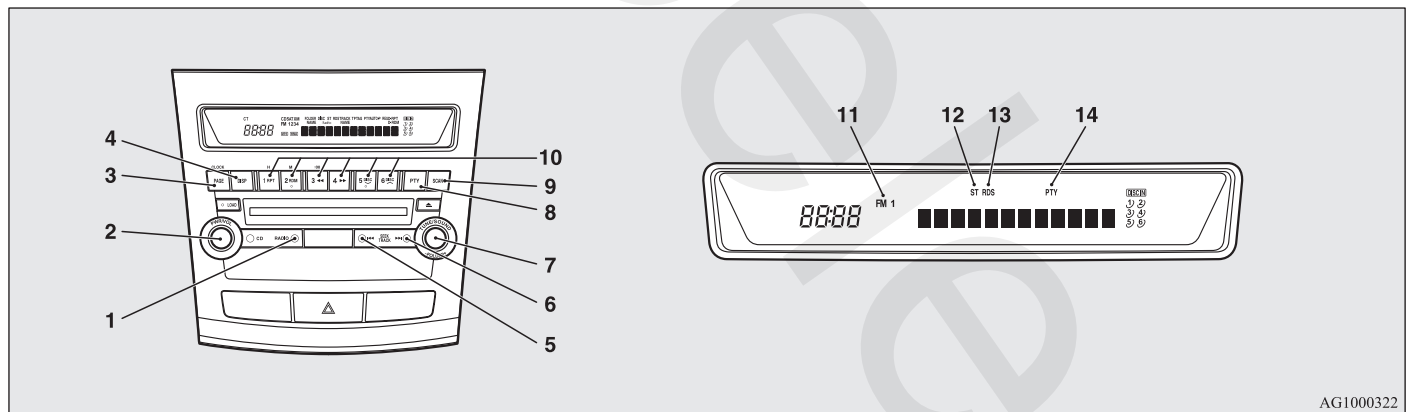
NOTE

- The factory setting for the Speed Compensated Volume function is ON.
- The MENU mode will automatically shut off when either the radio or CD is selected or the user does not move any of the switches for 10 seconds.

Comfort controls

Radio control panel and display

N00734900742



AG1000322

5

- 1- RADIO (AM/FM selection) button
- 2- PWR (On-Off) switch
- 3- PAGE button
- 4- DISP (Display) button
- 5- SEEK (Down-seek) button
- 6- SEEK (Up-seek) button
- 7- TUNE switch
- 8- PTY (Program Type) button
- 9- SCAN button
- 10- Memory select buttons
- 11- FM (FM1/FM2) indicator
- 12- ST (Stereo) indicator
- 13- RBDS (Radio Broadcast Data System) indicator
- 14- PTY (Program Type) indicator

Comfort controls

To listen to the radio

N00735000809

1. Press the PWR switch (2) to turn the audio system ON and OFF. The system turns on in the last mode used. Press the RADIO button (1) to turn ON the radio.
2. Press the RADIO button (1) to select the desired band (AM/FM1/FM2).
3. Press the SEEK button (5 or 6) to tune to a station, or press one of the Memory select buttons (10) to tune in to a station memorized for that button.
Refer to “Automatic tuning”, “Manual tuning” or “To enter frequencies into the memory”.

Automatic tuning

After pressing the SEEK button (5 or 6), a receivable station will be automatically selected and reception of the station will begin.

SCAN function

Press the SCAN button (9). The radio will tune consecutively to each available station for about 5 seconds per station. If you want to stop scanning, press the SCAN button again. The frequency display of the current station flashes once per second during SCAN.

Manual tuning

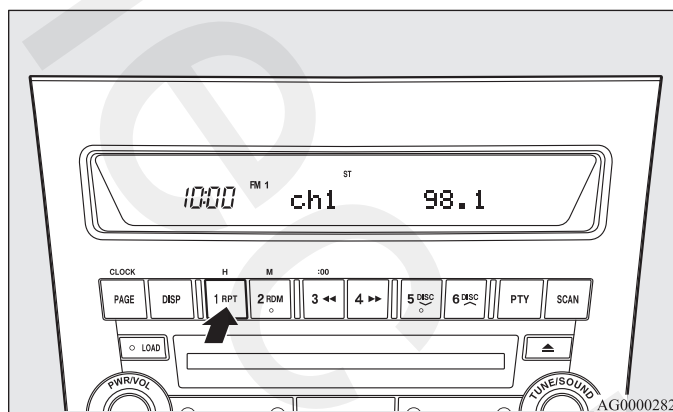
The frequency changes every time the TUNE switch (7) is turned. Turn the switch to select the desired station.

To enter frequencies into the memory

As many as 6 AM and 12 FM stations can be entered into the memory.

To store a frequency in the memory, follow these steps:

1. Press the SEEK button (5 or 6), or turn the TUNE switch (7) to tune to the frequency you wish to keep in the memory.
2. Press one of the Memory select buttons (10) until it beeps. The sound will be momentarily interrupted while the frequency is being entered into the memory. The number of the button matching the entry in the memory as well as the frequency are displayed.



3. To recall a frequency that has been saved in memory, press the corresponding button briefly for no longer than about 1 second.

NOTE

- Disconnecting the battery cables erases all the radio station settings stored in the memory.

Comfort controls

Radio Broadcast Data System (RBDS)

N00751800078

RBDS features are available for use only on FM stations that broadcast RBDS information.

This RBDS radio can search for stations broadcasting the selected type of programming and display messages from radio stations.

PTY (Program Type)

RBDS broadcasts are classified according to program type (PTY) as follows.

1. ROCK
2. COUNTRY
3. EASY LIS
4. CLASSICL
5. JAZZ
6. Top 40
7. R&B
8. INFORM
9. RELIGION
10. MISC

To search for a broadcast of desired PTY

1. To enter PTY (Program Type) mode, press the PTY button (8) during FM reception.
2. Press the PTY button repeatedly until your desired PTY is reached.
You can press one of the Memory select buttons (10) for about 2 seconds to save the currently displayed PTY to that Memory select button. Thereafter, you can easily call up your desired PTY by pressing the corresponding Memory select button.
3. Press the SEEK button (5 or 6), and the radio will begin to search for a broadcast of the selected PTY. During search, the selected PTY on the display blinks and the sound will be momentarily interrupted.
4. When the radio picks up a station with your desired PTY, the PTY and the frequency will each appear on the display for 2 seconds. Then the PTY and the station name will alternately appear on the display for 6 seconds.
5. The frequency will appear on the display. Then the radio will start receiving the program and exit the PTY mode.

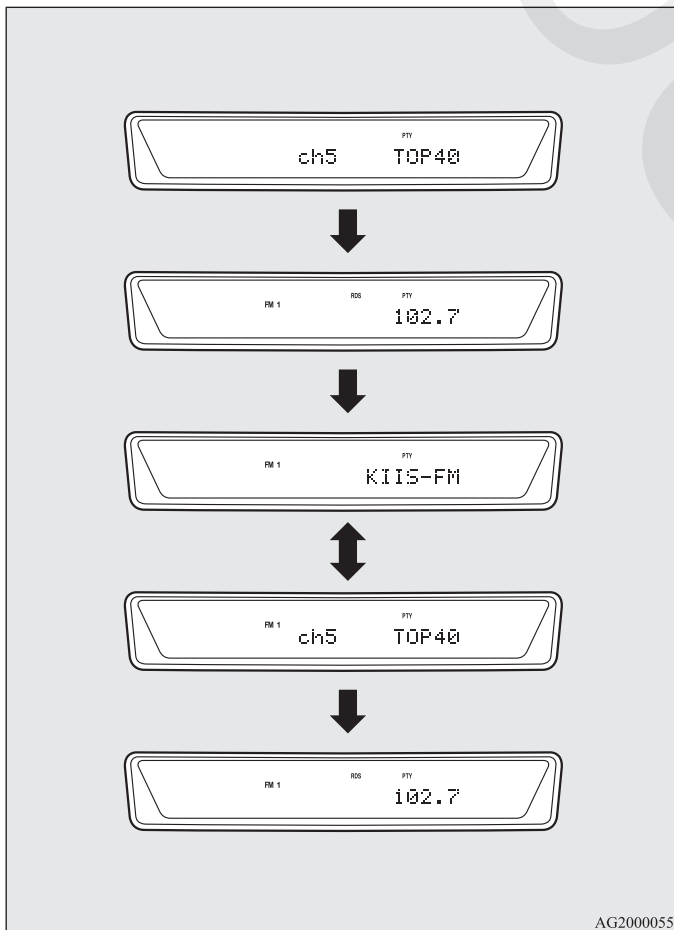
Comfort controls

NOTE

- If you wish to listen to another station of the same PTY as currently selected, repeat the previous procedure from step 2.
- To display the station name and the PTY, press the DISP button (4) and the PTY button (8) respectively.
- If no station is found with your desired PTY, “EMPTY” will appear on the display for 5 seconds. Then the radio will return to the previous station and exit the PTY mode.
- If the radio cannot read the station name, the PTY and the frequency will alternately appear on the display for 6 seconds. Then the radio will start receiving the program and exit the PTY mode.

Scan function

1. After selecting your desired PTY, press the SCAN button (9). The radio will tune consecutively to each available station of the selected PTY for about 5 seconds per station.
2. To stop the scan mode, press the SCAN button again.



Comfort controls

Text message

The radio can receive text messages broadcast by some RBDS stations.

1. While tuning in to an RBDS station, press the DISP button (4).
2. A text message will appear on the display. If a station name appears, press the DISP button again, then the text message will be displayed.
3. To cancel the text message display, press the DISP button again.

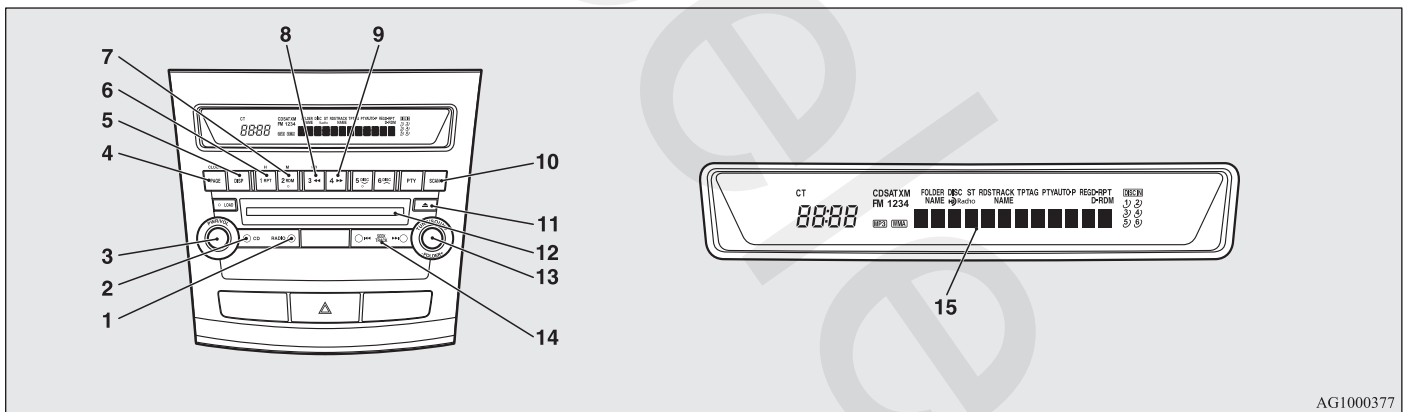
NOTE

- When there is no text message to be displayed, the display shows "NO MESSAGE" and then shows the frequency.
- The display can show up to 12 characters. If a text message has more than 12 characters, press the PAGE button (3) to view the next 12 characters.

Comfort controls

CD control panel and display

N00735300642



AG1000377

- 1- RADIO (AM/FM selection) button
- 2- CD (CD mode changeover) button
- 3- PWR (On-Off) switch
- 4- PAGE button
- 5- DISP (Display) button
- 6- RPT (Repeat) button
- 7- RDM (Random) button
- 8- Fast-reverse button
- 9- Fast-forward button
- 10- SCAN button
- 11- Eject button
- 12- Disc loading slot
- 13- FOLDER switch
- 14- TRACK (Track up/down) button
- 15- Display

Comfort controls

To listen to a CD

To set discs

1. Press the PWR switch (3) to turn the audio system ON and OFF. The system turns on in the last mode used.
2. Insert the disc with the label facing up.
When a disc is inserted, the CD player will begin playing even if the radio is being used. The CD player will also begin playing when the CD button (2) is pressed with a disc set in the CD player or in the disc loading slot (12), even if the radio is being used.

NOTE

- For information concerning the adjustment of volume and tone, refer to “To adjust the volume” on page 5-48 and “To adjust the tone” on page 5-48.
- For information concerning the handling of the compact discs, refer to “Handling of compact discs” on page 5-131.

5

To eject discs

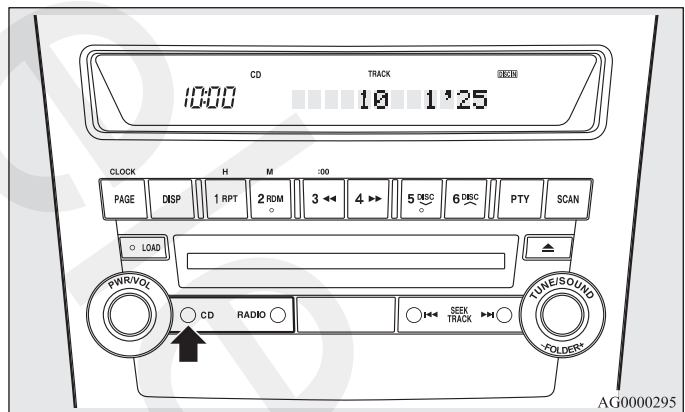
When the eject button (11) is pressed, the disc automatically stops and is ejected. The system automatically switches to radio mode.

NOTE

- If you do not remove an ejected disc before 15 seconds have elapsed, the disc will be reloaded.

To listen to a music CD

N00735501061

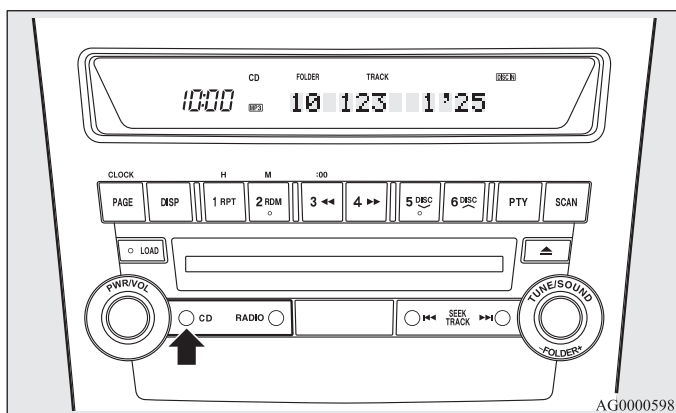


Push the CD button (2) if a disc is already in the CD player. The audio system will enter CD mode and start playback. The track number and the playing-time will appear on the display. The tracks in the disc will be played consecutively and continuously.

Comfort controls

To listen to an MP3 CD

This CD player allows you to play MP3 (MPEG Audio Layer-3) files recorded on CD-ROMs, CD-Rs (recordable CDs), and CD-RWs (rewritable CDs) in ISO9660 Level 1/ Level 2, Joliet, and Romeo formats. Each disc may have a maximum of 16 trees, 100 folders and 255 files. During MP3 playback, the unit can display ID3 tag information. For information concerning ID3 tag, refer to “CD text and MP3 title display” on page 5-64.



Push the CD button (2) if a disc is already in the CD player. The display shows “READING”, then playback begins. The folder number, the track number, the playing-time, and “MP3” indicator will appear on the display.

NOTE

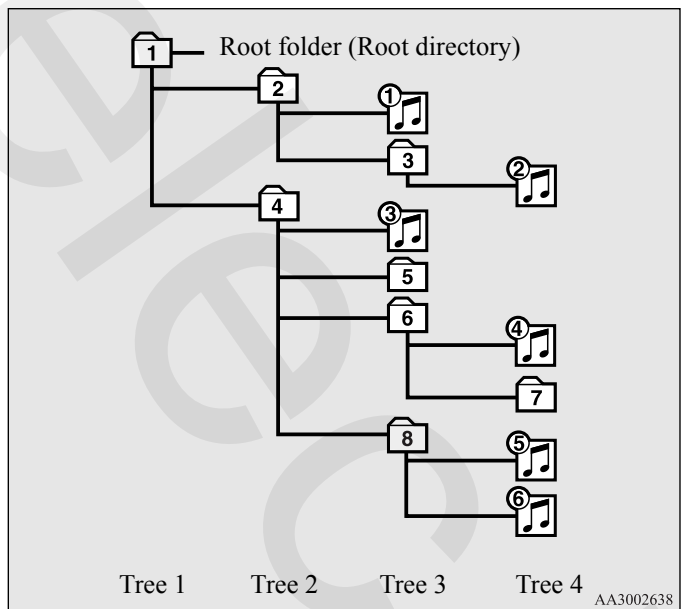
- While listening to a disc on which CD-DA (CD-Digital Audio) and MP3 files have both been recorded, you can switch between reading of the CD-DA, reading of the MP3 files, and the external audio input mode by pressing the CD button for 2 seconds or longer (until you hear a beep). For information on the external audio input, refer to “To use the external audio input function” on 5-118.
- With a disc that contains both CD-DA and MP3 files, the CD-DA files are automatically played first.
- The playback sound quality differs depending on the encoding software and the bit rate. For details, refer to the user manual of your encoding software.
- Depending on file/folder configurations on a disc, it may take some time before playback starts.
- MP3 encode software and writing software are not supplied with this CD player.
- You may encounter trouble in playing an MP3 or displaying the information of MP3 files recorded with certain writing software or CD recorders (CD-R/RW drivers).
- If you record too many folders or files other than MP3 onto a disc, it may take some time before playback starts.
- This unit does not record MP3 files.
- For information concerning CD-Rs/RWs, refer to “Notes on CD-Rs/RWs” on page 5-133.

Comfort controls

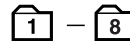
CAUTION

- Attempting to play a file not in the MP3 format which has the “.mp3” file name may produce noise from the speakers and speaker damage, and can damage your hearing.

Folder selection order/MP3 file playback order (Example)



Folder selection
In the order



File selection
In the order



Comfort controls

To fast forward/reverse the disc

To fast forward or fast reverse the disc, press the fast-forward button (9) or the fast-reverse button (8).

Fast forward

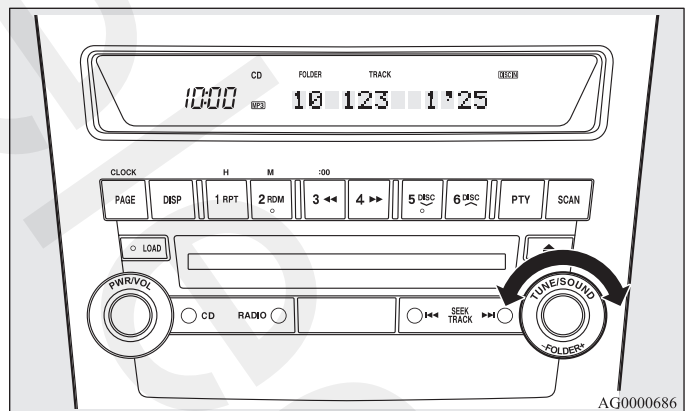
You can fast forward the disc by pressing the fast-forward button (9). While the button is kept pressed, the disc will be fast-forwarded.

Fast reverse

You can fast reverse the disc by pressing the fast-reverse button (8). While the button is kept pressed, the disc will be fast-reversed.

To select a desired folder (MP3 CDs only)

You can select your desired folder by turning the FOLDER switch (13).



Folder up

Turn the FOLDER switch (13) clockwise until the desired folder number appears on the display.

Folder down

Turn the FOLDER switch (13) counterclockwise until the desired folder number appears on the display.

Comfort controls

To select a desired track

You can select your desired track by using the TRACK button (14).

Track up

Press the ►| side of the TRACK button (14) repeatedly until the desired track number appears on the display.

When listening to a MP3 CD, keep pressing the button to continue to move up tracks.

Track down

Press the |◀ side of the TRACK button (14) repeatedly until the desired track number appears on the display.

When listening to a MP3 CD, keep pressing the button to continue to move down tracks.

NOTE

- Pressing the |◀ side of the TRACK button (14) once during the song will cause the CD player to restart playback from the beginning of the song.

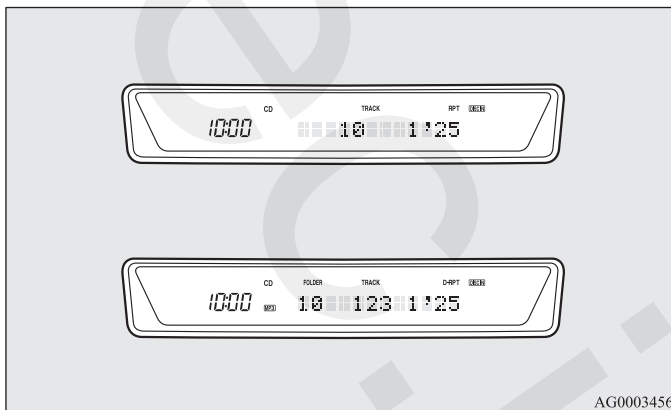
To repeat a track

To repeat a track

Press the RPT button (6) briefly while the track is playing. “RPT” will appear on the display. To exit the repeat mode, press the RPT button again.

To repeat songs in the same folder (MP3 CDs only)

While a song is playing, press the RPT button (6) for 2 seconds or longer (until you hear a beep). “D-RPT” will appear on the display. The autochanger will repeat all the songs in the folder that contains the song currently playing. To exit the repeat mode, briefly press the RPT button again.



NOTE

- The single track repeat mode will be canceled by pressing the TRACK button (14) or the eject button (11).

- With a disc that contains both CD-DA and MP3 files, the repeat mode causes only files of the same format (CD-DA only or MP3 files only) to be repeated.

To change the order of tracks for playback

Random playback for a disc (music CDs only)

Press the RDM button (7) briefly. "RDM" will appear on the display. Tracks on the currently selected disc will be played in a random sequence.

To exit the random mode, press the RDM button again.

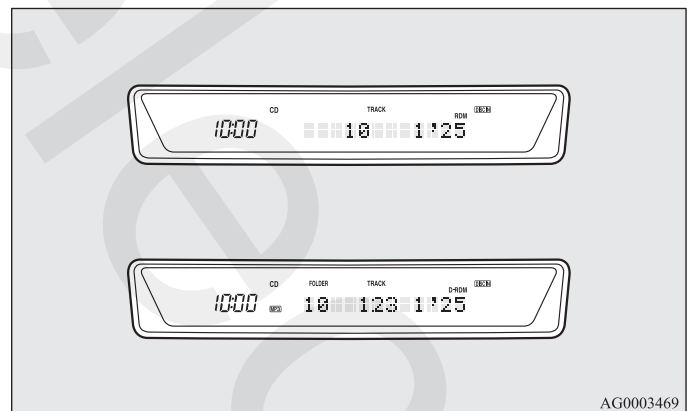
Random playback for a folder (MP3 CDs only)

Press the RDM button (7) briefly. "RDM" will appear on the display. Tracks in the currently selected folder will be played in a random sequence. To exit the random mode, press the RDM button again.

Comfort controls

Random playback for all folders on a disc (MP3 CDs only)

Press the RDM button (7) for 2 seconds or longer (until you hear a beep). "D-RDM" will appear on the display. Tracks from all the folders on the currently selected disc will be played in a random sequence. To exit the random mode, briefly press the RDM button again.



NOTE

- With a disc that contains both CD-DA and MP3 files, the random mode causes only files of the same format (CD-DA only or MP3 files only) to be played in a random sequence.

Comfort controls

To find the start of each track on a disc for playback

Press the SCAN button (10). “SCAN” will appear on the display and the CD player will play back the first 10 seconds of each track on the selected disc.

The track number will blink while the scan mode is selected. To stop the scan mode, press the SCAN button again.

NOTE

- Once all tracks on the disc have been scanned, playback of the disc will restart from the beginning of the track that was playing when scanning started.
- The scan mode will be canceled when radio or CD operation is selected.
- With a disc that contains both CD-DA and MP3 files, the scan mode causes only files of the same format (CD-DA only or MP3 files only) to be played.

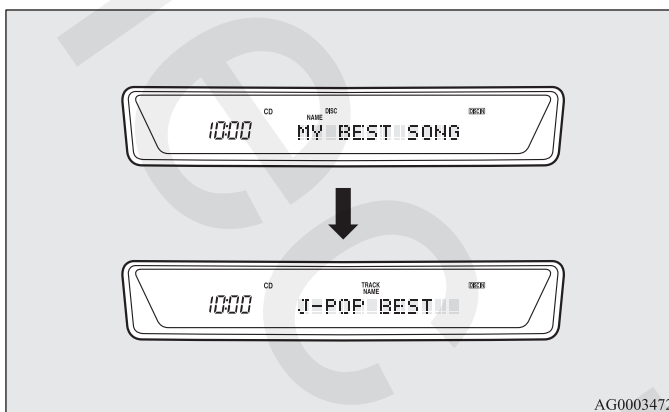
CD text and MP3 title display

N00752100108

This CD player can display CD text and MP3 titles including ID3 tag information.

CD text

The CD player can display disc and track titles for discs encoded with disc and track title information. Press the DISP button (5) repeatedly to make selections in the following sequence: disc name → track name → normal display mode.



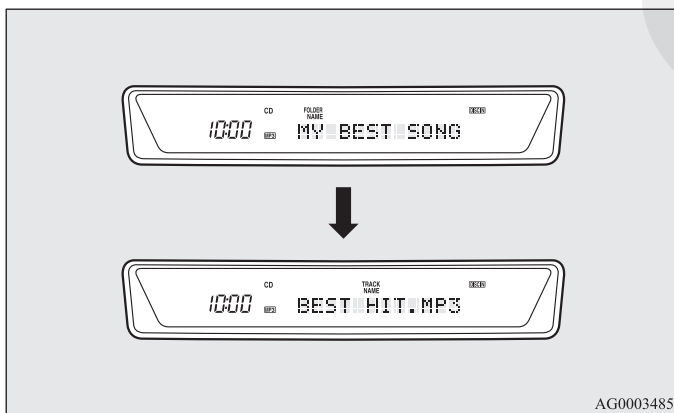
AG0003472

NOTE

- The display can show up to 12 characters. If a disc name or track name has more than 12 characters, press the PAGE button (4) to view the next 12 characters.
- When there is no title information to be displayed, the display shows “NO TITLE”.
- Characters that the CD player cannot display are shown as “.”.

MP3 title

The CD player can display folder and track titles for discs encoded with folder and track information. Press the DISP button (5) repeatedly to make selections in the following sequence: folder name → track name → normal display mode.

**ID3 tag information**

The CD player can display ID3 tag information for files that have been recorded with ID3 tag information.

1. Press the DISP button (5) for 2 seconds or longer to switch to the ID3 tag information. “TAG” indicator will appear on the display.
2. Press the DISP button (5) repeatedly to make selections in the following sequence: album name → track name → artist name → normal display mode.

NOTE

- To return from ID3 tag information to the folder name, press the DISP button (5) again for 2 seconds or longer.
- When there is no title information to be displayed, the display shows “NO TITLE”.
- The display can show up to 12 characters. If a folder name, track name, or item of ID3 tag information has more than 12 characters, press the PAGE button (4) to view the next 12 characters.
- Folder names and track names can each be displayed up to a length of 32 characters. Items of ID3 tag information can each be displayed up to a length of 30 characters.
- Characters that the CD player cannot display are shown as “.”.

Comfort controls

AM/FM electronically tuned radio with 6 CD autochanger (RBDS and MP3 compatible) (if so equipped)

N00734301046

The audio system can only be used when the ignition switch is in the "ON" or "ACC" position.

NOTE

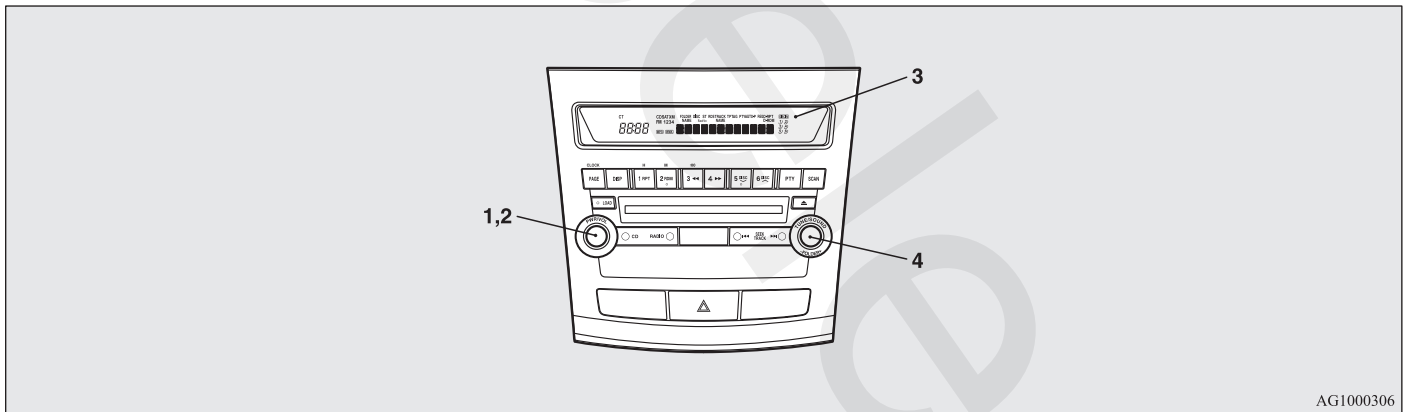
- To listen to the audio system while the engine is not running, turn the ignition switch to the "ACC" position. If the ignition switch is left in the "ACC" position, the accessory power will automatically turn off after a certain period of time and you will no longer be able to use the audio system. The accessory power comes on again if the ignition switch is turned from the "ACC" position. Refer to "ACC power auto-cutout function" on page 3-90.
- If a cellular phone is used inside the vehicle, it may create noise in the audio equipment. This does not mean that anything is wrong with your audio equipment. In such a case, use the cellular phone at a place as far as possible from the audio equipment.
- If foreign objects or water get into the audio equipment, or if smoke or a strange odor comes from it, immediately turn off the audio system and have it checked at an authorized Mitsubishi Motors dealer or a repair facility of your choice. Never try to repair it yourself. Avoid using the audio system until it is inspected by a qualified person.
- If the audio system is damaged by foreign objects, water, or fire, have the system checked by a qualified Mitsubishi Motors technician.

- The audio amplifier (if so equipped) is located under the front right seat. Do not subject the amplifier to a strong impact. It could damage the amplifier or malfunctioning could result.

Comfort controls

N00711900644

Volume and tone control panel



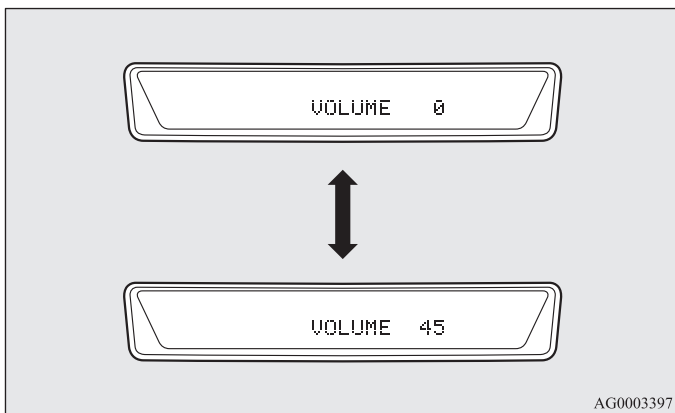
AG1000306

- 1- PWR (On-Off) switch
- 2- VOL (Volume control) knob
- 3- Display
- 4- SOUND (Sound control) switch

Comfort controls

To adjust the volume

Turn the VOL knob (2) clockwise to increase the volume; counterclockwise to decrease the volume. The status will be displayed in the display (3).



NOTE

- The volume control mode will shut off automatically if either the radio or CD is selected, or if no adjustment is made within about 2 seconds.

To adjust the tone

1. Press the SOUND switch (4) repeatedly to select the tone or balance control to change. The order is: SUB PUNCH → TYPE → FIELD → BASS → MID → TREBLE → FADER → BALANCE → Audio adjust mode OFF

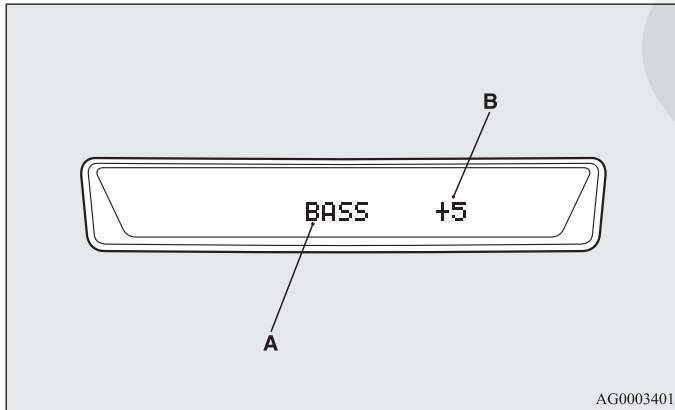
NOTE

- SUB PUNCH can be adjusted only on vehicles with a premium sound system. On vehicles without a premium sound system, TYPE will display first (no SUB PUNCH display).

QUICK ACCESS MODE

To access the sound customization features quickly, push and hold the SOUND switch (4), then turn the switch clockwise or counterclockwise to access your desired sound customization setting. Release the switch to adjust the setting.

2. Turn the SOUND switch (4) either clockwise or counterclockwise to change the tone/balance setting. The status will be displayed in the display (3).



- A- Adjust mode
B- Adjust level

Comfort controls

Adjust Mode	Adjust Level	Sound control switch operation	
		Counterclockwise turn	Clockwise turn
SUB PUNCH	1 to 6	Weaker	Stronger
TYPE	NORMAL ↔ POP ↔ ROCK ↔ HIP-HOP ↔ COUNTRY		
FIELD	NORMAL ↔ STAGE ↔ LIVE ↔ HALL		
BASS	-6 to 6	Weaker	Stronger
MID			
TREBLE			
FADER	F11 to R11	R (Rear) increases	F (Front) increases
BALANCE	L11 to R11	L (Left) increases	R (Right) increases

Comfort controls***SUB PUNCH (subwoofer volume control)***

To select the desired deep bass level.

TYPE (acoustic characteristic selection)

To select the desired acoustic characteristic.

Acoustic characteristic	Description
NORMAL	Sounds good for all types of music.
POP	Tight bass and high frequency sound.
ROCK	Tuned for hard rock and heavy metal with powerful drums, guitars, and vocals.
HIP-HOP	Deep bass punch and well-defined vocals.
COUNTRY	Enhanced main vocals.

FIELD (Sound field selection)

To select the desired sound field.

Sound field type	Description
NORMAL	Optimized for the Rockford Fosgate high bass output.
STAGE	Places the image of a sound stage in front of the driver with the vocalist in the center (for driver only).
LIVE	Front seat occupants are surrounded by sound from front and rear speakers.
HALL	Places the image of a sound stage in front of the driver with the vocalist in the center (for driver only). Sound reflections are added to the rear speakers to simulate the experience of being at a concert hall. Best with classical or vocalist music.

BASS (Bass tone control)

To select the desired bass level.

MID (Midrange tone control)

To select the desired midrange level.

TREBLE (Treble tone control)

To select the desired treble level.

FADER (Front/Rear balance control)

To balance the volume from the F (front) and the R (rear) speakers.

Comfort controls

BALANCE (Left/Right balance control)

To balance the volume from the L (left) and the R (right) speakers.

NOTE

- When set to “0”, it will beep.
- When SUB PUNCH, TYPE or FIELD is changed, the sound will cut out briefly, but this does not indicate a malfunction.
- The audio adjust mode will automatically shut off when either the radio or CD is selected, or if no adjustment is made within about 10 seconds.
- If the SOUND switch (4) is pushed and held for more than 2 seconds during the audio adjust mode, it will change to “Hold” mode. The selected audio mode will be held until the SOUND switch (4) is pushed for more than 2 seconds again.

Speed Compensated Volume function

N00752200213

Speed Compensated Volume function is a feature that automatically adjusts the VOLUME, BASS, MID, and TREBLE settings in accordance with the vehicle speed. It is possible to turn this function ON-OFF using the following methods:

1. If you are presently pushing the SOUND switch (4) and making a tone adjustment, finish making the tone adjustment.
2. Push the SOUND switch (4) for at least about 2 seconds. The system will switch to MENU mode and the characters “SCV ON” will be shown on the display.

NOTE

- When you enter the MENU mode while listening to satellite radio (if so equipped), “SKIP SETTING” will be shown on the display and you will enter the satellite radio setting mode. Every time you press the SOUND switch (4), the display will change in the following order: “SKIP SETTING” → “LOCK SETTING” → “SCV ON.” Press the SOUND switch (4) until “SCV ON” is shown on the display, to switch to the setting mode for the Speed Compensated Volume function.

3. Turn the SOUND switch (4) clockwise to turn the function ON. Turn it counterclockwise to turn the function OFF.

NOTE

- The factory setting for the Speed Compensated Volume function is ON.

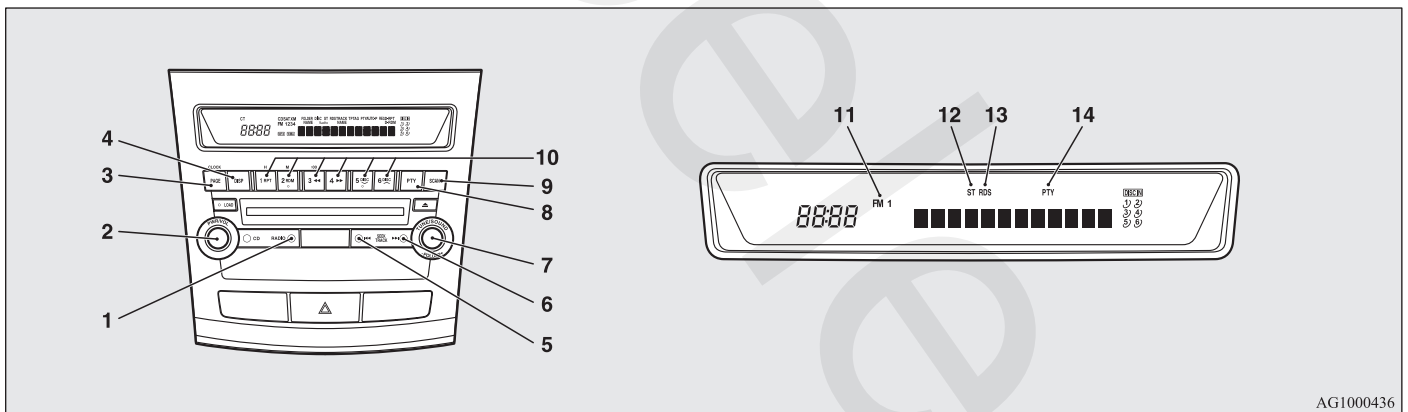
Comfort controls

- The MENU mode will automatically shut off when either the radio or CD is selected or the user does not move any of the switches for 10 seconds.

Comfort controls

Radio control panel and display

N00734900755



AG1000436

- 1- RADIO (AM/FM selection) button
- 2- PWR (On-Off) switch
- 3- PAGE button
- 4- DISP (Display) button
- 5- SEEK (Down-seek) button
- 6- SEEK (Up-seek) button
- 7- TUNE switch
- 8- PTY (Program Type) button
- 9- SCAN button
- 10- Memory select buttons
- 11- FM (FM1/FM2) indicator
- 12- ST (Stereo) indicator
- 13- RBDS (Radio Broadcast Data System) indicator
- 14- PTY (Program Type) indicator

Comfort controls

To listen to the radio

N00735000812

1. Press the PWR switch (2) to turn the audio system ON and OFF. The system turns on in the last mode used. Press the RADIO button (1) to turn ON the radio.
2. Press the RADIO button (1) to select the desired band (AM/FM1/FM2).
3. Press the SEEK button (5 or 6) to tune to a station, or press one of the Memory select buttons (10) to tune in to a station memorized for that button.
Refer to “Automatic tuning”, “Manual tuning” or “To enter frequencies into the memory”.

Automatic tuning

After pressing the SEEK button (5 or 6), a receivable station will be automatically selected and reception of the station will begin.

SCAN function

Press the SCAN button (9). The radio will tune consecutively to each available station for about 5 seconds per station. If you want to stop scanning, press the SCAN button again. The frequency display of the current station flashes once per second during SCAN.

Manual tuning

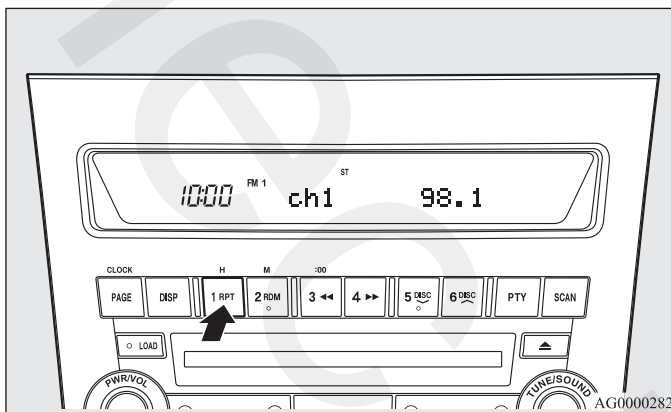
The frequency changes every time the TUNE switch (7) is turned. Turn the switch to select the desired station.

To enter frequencies into the memory

As many as 6 AM and 12 FM stations can be entered into the memory.

To store a frequency in the memory, follow these steps:

1. Press the SEEK button (5 or 6), or turn the TUNE switch (7) to tune to the frequency you wish to keep in the memory.
2. Press one of the Memory select buttons (10) until it beeps. The sound will be momentarily interrupted while the frequency is being entered into the memory. The number of the button matching the entry in the memory as well as the frequency are displayed.



3. To recall a frequency that has been saved in memory, press the corresponding button briefly for no longer than about 1 second.

NOTE

- Disconnecting the battery cables erases all the radio station settings stored in the memory.

Radio Broadcast Data System (RBDS)

N00751800081

RBDS features are available for use only on FM stations that broadcast RBDS information.

This RBDS radio can search for stations broadcasting the selected type of programming and display messages from radio stations.

PTY (Program Type)

RBDS broadcasts are classified according to program type (PTY) as follows.

1. ROCK
2. COUNTRY
3. EASY LIS
4. CLASSICL
5. JAZZ
6. Top 40
7. R&B
8. INFORM
9. RELIGION
10. MISC

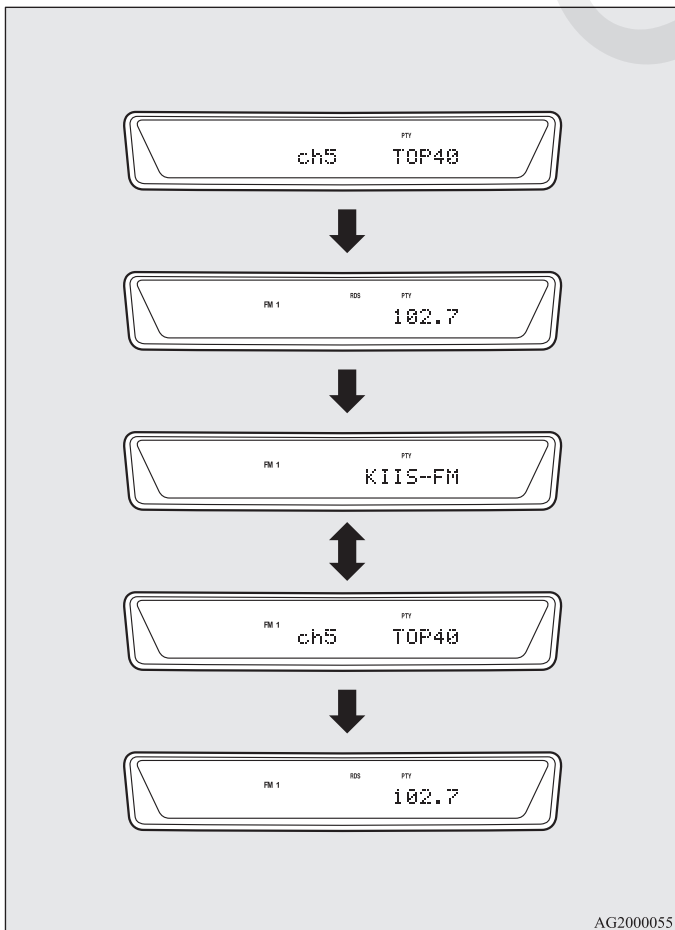
To search for a broadcast of desired PTY

1. To enter PTY (Program Type) mode, press the PTY button (8) during FM reception.
2. Press the PTY button repeatedly until your desired PTY is reached.

You can press one of the Memory select buttons (10) for about 2 seconds to save the currently displayed PTY to that Memory select button. Thereafter, you can easily call up your desired PTY by pressing the corresponding Memory select button.

3. Press the SEEK button (5 or 6), and the radio will begin to search for a broadcast of the selected PTY. During search, the selected PTY on the display blinks and the sound will be momentarily interrupted.
4. When the radio picks up a station with your desired PTY, the PTY and the frequency will each appear on the display for 2 seconds. Then the PTY and the station name will alternately appear on the display for 6 seconds.
5. The frequency will appear on the display. Then the radio will start receiving the program and exit the PTY mode.

Comfort controls



NOTE

- If you wish to listen to another station of the same PTY as currently selected, repeat the previous procedure from step 2.
- To display the station name and the PTY, press the DISP button (4) and the PTY button (8) respectively.
- If no station is found with your desired PTY, “EMPTY” will appear on the display for 5 seconds. Then the radio will return to the previous station and exit the PTY mode.
- If the radio cannot read the station name, the PTY and the frequency will alternately appear on the display for 6 seconds. Then the radio will start receiving the program and exit the PTY mode.

Scan function

1. After selecting your desired PTY, press the SCAN button (9). The radio will tune consecutively to each available station of the selected PTY for about 5 seconds per station.
2. To stop the scan mode, press the SCAN button again.

Comfort controls

Text message

The radio can receive text messages broadcast by some RBDS stations.

1. While tuning in to an RBDS station, press the DISP button (4).
2. A text message will appear on the display. If a station name appears, press the DISP button again, then the text message will be displayed.
3. To cancel the text message display, press the DISP button again.

NOTE

- When there is no text message to be displayed, the display shows “NO MESSAGE” and then shows the frequency.
- The display can show up to 12 characters. If a text message has more than 12 characters, press the PAGE button (3) to view the next 12 characters.

SIRIUS™ Satellite Radio (if so equipped)

N00760100136

Satellite radio uses direct satellite to receiver broadcasting technology to provide clear digital sound, coast to coast. The subscription service provider is SIRIUS Satellite Radio. This service offers over 100 channels of music, sports, news, entertainment, and programming for listeners, directly from its satellites and broadcasting studios.

System activation

To activate your SIRIUS Satellite Radio service, call the toll-free number 888-539-SIRIUS (7474), or visit the Sirius web site at www.sirius.com. Please have the following information available when activating your system:

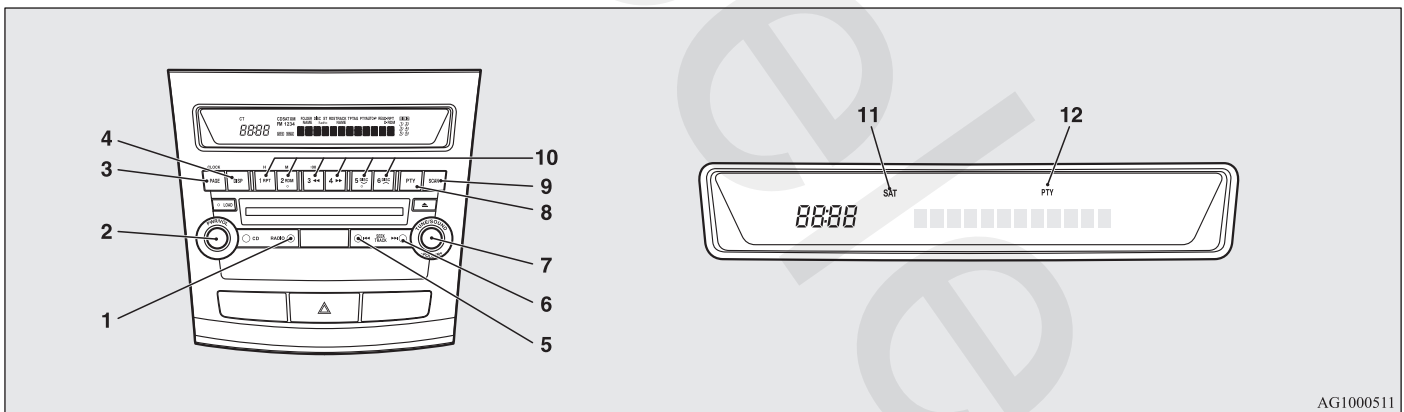
1. The Sirius Identification Number (SIRIUS ID). Refer to the section “To listen to the SIRIUS satellite radio: SIRIUS ID indication” on page 5-79.
2. Credit card information.
3. Your Vehicle Identification Number. Refer to “Vehicle identification number plate” on page 9-2

“SIRIUS”, the SIRIUS dog logo and channel names and logos are trademarks of SIRIUS Satellite Radio, Inc.

Comfort controls

SIRIUS satellite radio control panel and display

N00700200214



AG1000511

5

- 1- RADIO (AM/FM/Satellite radio selection) button
- 2- PWR (On-Off) switch
- 3- PAGE button
- 4- DISP (Display) button
- 5- Channel selection up button
- 6- Channel selection down button
- 7- TUNE/SOUND (Category selection) switch
- 8- PTY button
- 9- SCAN button
- 10- Memory select buttons
- 11- SAT (SAT1/SAT2/SAT3/SAT4) display
- 12- PTY indicator

Comfort controls**To listen to the SIRIUS satellite radio**

N00760500228

1. Press the PWR switch (2) to turn the audio system ON and OFF. The system turns on in the last mode used. Press the RADIO button (1) to turn ON the radio.
2. Press the RADIO button (1) to select the desired band (SAT1/SAT2/SAT3/SAT4). Each time you push the button, the display will change in the following order: AM→FM1→FM2→SAT1→SAT2→SAT3→SAT4. Once the display shows "SIRIUS", satellite radio reception will begin.

Category selection

1. Pressing the PTY button (8) will cause the category of the channel that is currently being received to be displayed for around 2 seconds.
2. If the TUNE/SOUND switch (7) is turned, the system will change to the category selection mode, the current category will be shown in the display, and the PTY indicator (12) will light up.
3. Turning the TUNE/SOUND switch (7) while in the category selection mode, the next category will be shown.

NOTE

- Selecting a different category will not change the channel. During category selection, the original channel will continue to be received. Use a channel select button (5 or 6) to change the channel.
- If you do not use the satellite radio again before 15 seconds have elapsed, the category selection mode will be canceled. (The PTY indicator (12) will go out.)

- Pressing the PTY button (8) while in the category selection mode will cause the current channel to be displayed for around 2 seconds.

Channel selection

You can select a channel by pressing a channel select button (5 or 6).

NOTE

- While in the category selection mode, only channels in the category can be selected.

Scan function

1. Pressing the SCAN button (9) will cause the satellite radio to tune consecutively to each available channel for about 7 seconds per channel.
2. To stop the scan mode, press the SCAN button (9) again.

NOTE

- While in the category selection mode, only channels in the category can be scanned.

To enter channels into the memory

You can save one channel to each Memory select button (10), for a maximum of 24 channels in memory.

To store a channel in the memory, follow these steps:

1. Press a channel select button (5 or 6) and select the channel that you wish to keep in the memory.
2. Press one of the Memory select buttons (10) until it beeps, indicating that the channel has been stored in memory.

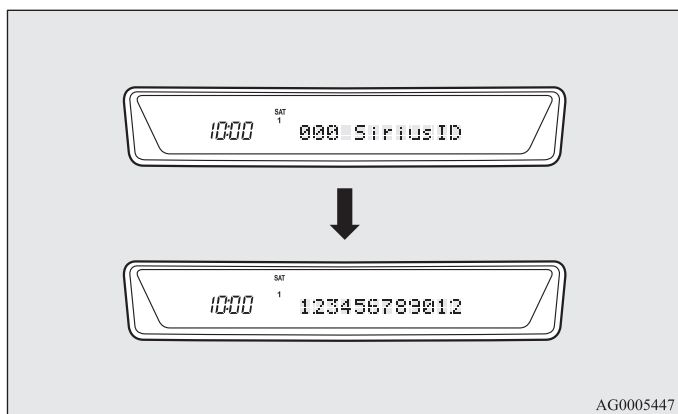
Comfort controls

NOTE

- If you store a channel in the memory, you can call up your desired channel immediately by simply pushing the corresponding Memory select button (10).

SIRIUS ID indication

If you press a channel selection button (5 or 6) to select “CH 0”, the SIRIUS ID will be displayed.



1. If you select “CH 0”, the SIRIUS ID (12 digits) will be displayed.
2. To stop the SIRIUS ID indication, press a channel selection button (5 or 6) and select a channel other than “CH 0”.

To skip or lock a desired channel - MENU mode

You can set the satellite radio so that it locks a desired channel or skips the channel during channel selection.

1. While the satellite radio is tuned in to the channel, press the TUNE/SOUND switch (7) for about 2 seconds or longer to enter the MENU mode.
2. In the MENU mode, the satellite radio channel SKIP setting and LOCK setting are possible. Each time you press the TUNE/SOUND switch (7), the status will change in the following sequence. “SKIP SETTING” (SKIP setting mode) → “LOCK SETTING” (LOCK setting mode) → “SCV ON” → “PHONE OFF” → MENU mode off.

NOTE

- The MENU mode will automatically shut off when either the radio or CD is selected, when the TUNE/SOUND switch (7) is pressed for about 2 seconds or longer, or when the radio is left alone for 10 seconds.
- The SKIP settings, LOCK settings and lock cancellation code are stored in memory. Disconnecting the battery cable will erase these settings. (The lock cancellation code will reset to the factory setting: “1111”.)
- For more information on the SCV function, refer to “Speed Compensated Volume function” on page 5-51.
- “PHONE OFF” is displayed but the function is not enabled.
- If the vehicle is equipped with a Mitsubishi Motors authorized hands-free phone system, “PHONE OFF” will not be displayed.

Comfort controls**“SKIP SETTING” (SKIP Setting Mode)**

You can set any channel to be skipped during channel selection. You can also cancel a skip setting.

You can turn the TUNE/SOUND switch (7) and select “SKIP CH” or “UNSKIP ALL”.

These functions are described below.

SKIP CH: Sets the satellite radio so that it skips the channel that is currently being received.

UNSKIP ALL: Cancels skip setting on all channels.

“LOCK SETTING” (LOCK Setting Mode)

You can lock any channel of your choice or unlock a locked channel.

You can turn the TUNE/SOUND switch (7) and select “LOCK CH” (or “UNLOCK CH”), “UNLOCK ALL” or “CODE EDIT”.

These functions are described below.

LOCK CH: Locks the channel that is currently being received.

UNLOCK CH: Unlocks the channel that is currently being received.

UNLOCK ALL: Cancels lock setting on all channels.

CODE EDIT: Changes the lock cancellation code.

NOTE

- If the channel that is currently being received is not locked, you can select “LOCK CH”; if it is locked, you can select “UNLOCK CH”.

To skip a desired channel

You can set any channel to be skipped during channel selection.

1. Select the channel that you want to skip.
2. Press the TUNE/SOUND switch (7) for about 2 seconds or longer to enter the MENU mode. Then select the SKIP setting mode.
3. In the SKIP setting mode, turn the TUNE/SOUND switch (7) and select “SKIP CH”.
4. Press the TUNE/SOUND switch (7). “STORED” will be shown for 2 seconds and then the channel that is currently being received will be set to be skipped.
5. After the skip setting is made, the radio will tune into the next channel after the channel that was set to be skipped. If you want to this channel to be skipped as well, press the TUNE/SOUND switch (7) again.

NOTE

- The channel that was set to be skipped will be skipped automatically during channel selection.
- Channels that are stored in the preset memory can also be set to be skipped. When the corresponding memory select button (10) is pushed to call up the channel, “SKIP CHANNEL” will appear on the display and the audio will be muted.

Comfort controls

To cancel skip settings

You can cancel skip settings on channels.

1. Press the TUNE/SOUND switch (7) for about 2 seconds or longer to enter the MENU mode. Then select the SKIP setting mode.
2. In the SKIP setting mode, turn the TUNE/SOUND switch (7) and select "UNSKIP ALL".
3. Press the TUNE/SOUND switch (7). "STORED" will be shown for 2 seconds and then skip settings on all channels will be cancelled. After you cancel the setting, the satellite radio will return to the SKIP setting mode. (The display will show "SKIP SETTING".)

To lock a desired channel

You can lock any channel of your choice.

1. Select the channel that you want to lock.
2. Press the TUNE/SOUND switch (7) for about 2 seconds or longer to enter the MENU mode. Then select the LOCK setting mode.
3. In the LOCK setting mode, turn the TUNE/SOUND switch (7) and select "LOCK CH".
4. Press the TUNE/SOUND switch (7). "LOCKED" will be displayed for 2 seconds and then the channel that is currently being received will be locked. The satellite radio then returns to the LOCK setting mode.

NOTE

- If you attempt to select a locked channel, the display will show "LOCKED" or "PARENTAL LOCK".
- Channels that are stored in the preset memory can also be locked.

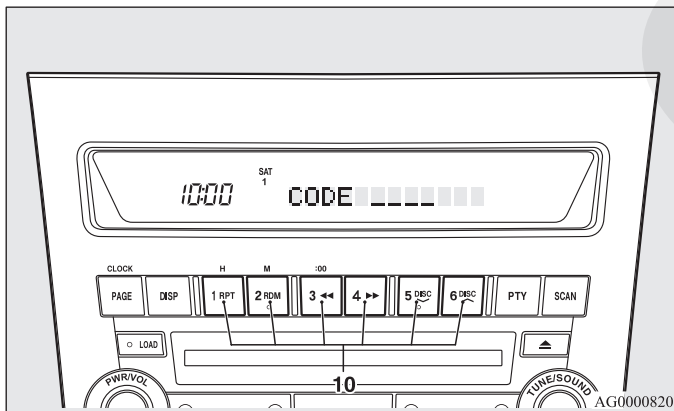
To unlock locked channels

There are two ways to unlock a locked channel. One way is to unlock a single locked channel of your choice. The other way is to unlock all locked channels.

To unlock a locked channel, you must enter the lock cancellation code.

1. To unlock a single locked channel of your choice, select the locked channel that you want to unlock. (If you want to unlock all locked channels, it doesn't matter which locked channel you have selected.)
2. Press the TUNE/SOUND switch (7) for about 2 seconds or longer to enter the MENU mode. Then select the LOCK setting mode.
3. In the LOCK setting mode, turn the TUNE/SOUND switch (7) and select "UNLOCK CH" when you want to unlock one locked channel of your choice or "UNLOCK ALL" when you want to unlock all locked channels.
4. When you press the TUNE/SOUND switch (7), the code entry window will be shown in the display.

5. Use the Memory select buttons (10) to enter the code (1111 to 6666) and then press the TUNE/SOUND switch (7).



Comfort controls

6. If the entered code is correct, “UNLOCKED” will be shown and the locked channel(s) will be unlocked. The satellite radio will then return to the LOCK setting mode. If the entered code is incorrect, a warning sound will be emitted and “CODE ERROR” will be displayed. The code entry window will then be shown again. You can try to enter the code again, no matter how many times an incorrect code has been entered.

NOTE

- The default factory setting for the code is “1111”.
- You can change the code to any number you want with the “CODE EDIT” function.
- To cancel a code entry, turn the TUNE/SOUND switch (7) while the code entry window is displayed. The code entry will be cancelled and then the setting menu will be switched.

Comfort controls

To change the lock cancellation code

You can change the code for unlocking channel(s) to any number you want.

1. Press the TUNE/SOUND switch (7) for about 2 seconds or longer to enter the MENU mode. Then select the LOCK setting mode.
2. In the LOCK setting mode, turn the TUNE/SOUND switch (7) and select "CODE EDIT".
3. When you press the TUNE/SOUND switch (7), the code entry window will be shown in the display.
4. Use the memory select buttons (10) to enter the current code and then press the TUNE/SOUND switch (7).
5. If the correct code is entered, the code entry window will be shown again. Enter your desired code.

If the entered code is incorrect, a warning sound will be emitted and "CODE ERROR" will be displayed. The code entry window will then be shown again.

You can try to enter the code again, no matter how many times an incorrect code has been entered.

6. After you enter the new code, press the TUNE/SOUND switch (7). The code entry window will be shown again for confirmation. Enter the new code again and press the TUNE/SOUND switch (7).

7. "STORED" will be displayed for 2 seconds, the code will be changed and the satellite radio will return to the LOCK setting mode.

NOTE

- The SKIP settings, LOCK settings and lock cancellation code are stored in memory. Disconnecting the battery cable will erase these settings. (The lock cancellation code will reset to the default factory setting: "1111").

To reset the lock cancellation code

In case you forget the code, it is possible to reset the code to the factory setting (1111).

1. With the audio power OFF, press the PWR switch (2) and the TUNE/SOUND switch (7) at the same time. The display will show "CODE INITIAL".
2. Press the TUNE/SOUND switch (7). "YES" will be displayed. To reset the code, press the TUNE/SOUND switch (7) again. "STORED" will be shown for 2 seconds and the code will be reset.

If you do not want to reset the code, turn the TUNE/SOUND switch (7) to display "CANCEL" and then press the TUNE/SOUND switch (7) again.

Comfort controls

Text message

You can change what is shown on the display when the satellite radio tunes into a channel.

Press the DISP button (4) repeatedly to change to your desired display mode. The order is: Channel Number + Channel Name → Category Name → Artist Name → Song Title → Composer Name

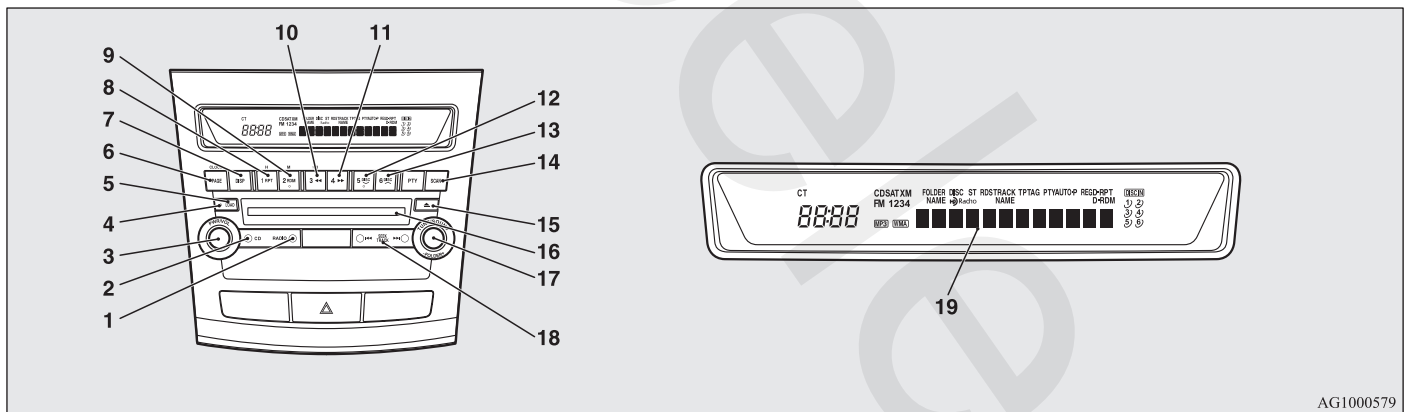
NOTE

- Category name can also be displayed by pressing the PTY button (8).
- The display can show up to 12 characters. If there are more than 12 characters, press the PAGE button (3) to view the next 12 characters.

Comfort controls

CD control panel and display

N00735300655



AG1000579

5

- 1- RADIO (AM/FM selection) button
- 2- CD (CD mode changeover) button
- 3- PWR (On-Off) switch
- 4- LOAD indicator
- 5- LOAD button
- 6- PAGE button
- 7- DISP (Display) button
- 8- RPT (Repeat) button
- 9- RDM (Random) button
- 10- Fast-reverse button
- 11- Fast-forward button
- 12- DISC (Disc down) button
- 13- DISC (Disc up) button
- 14- SCAN button
- 15- Eject button
- 16- Disc loading slot
- 17- FOLDER switch
- 18- TRACK (Track up/down) button
- 19- Display

5-86

Comfort controls

To listen to a CD

N00735500963

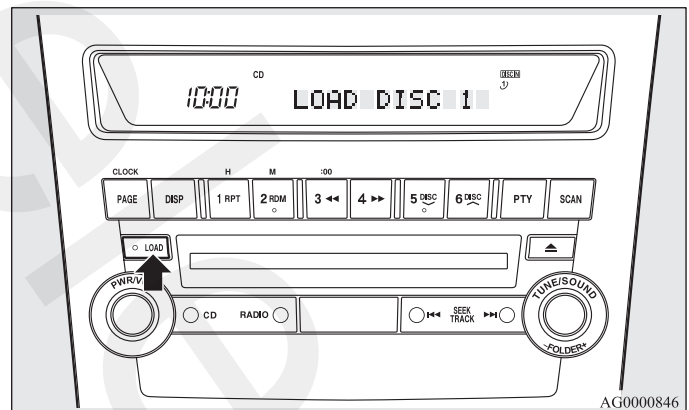
The compact disc (CD) can be loaded or ejected by pressing the LOAD button (5) or the eject button (15) even if the audio system power is OFF.

1. Press the PWR switch (3) to turn the audio system ON and OFF. The system turns on in the last mode used.
2. Press the CD button (2) to enter CD mode. The autochanger will start playback if the CD is already in the autochanger.
3. To stop the CD, turn off the power by pressing the PWR switch (3) or change over to radio mode by pressing the RADIO button (1), or eject the disc by pressing the eject button (15).

NOTE

- For information concerning the adjustment of volume and tone, refer to “To adjust the volume” on page 5-68 and “To adjust the tone” on page 5-68.
- As many as 6 CDs can be inserted into the CD autochanger.
- For information concerning the handling of the compact discs, refer to “Handling of compact discs” on page 5-131.

To set discs



To set a single disc

1. Press the LOAD button (5) briefly.
2. The autochanger will show “WAIT” on the display and start making itself ready for disc loading.
3. When the autochanger is ready for disc loading, the LOAD indicator (4) will illuminate and the display will show “LOAD DISC No. (1-6)”.
4. When a disc is inserted into the CD slot, the disc will begin to play.

NOTE

- If there are multiple empty slots, you can select your desired slot by pressing the DISC buttons (12 or 13).
- If you do not insert a disc for about 15 seconds after the autochanger starts standing by for loading, the loading standby mode will be canceled.

Comfort controls

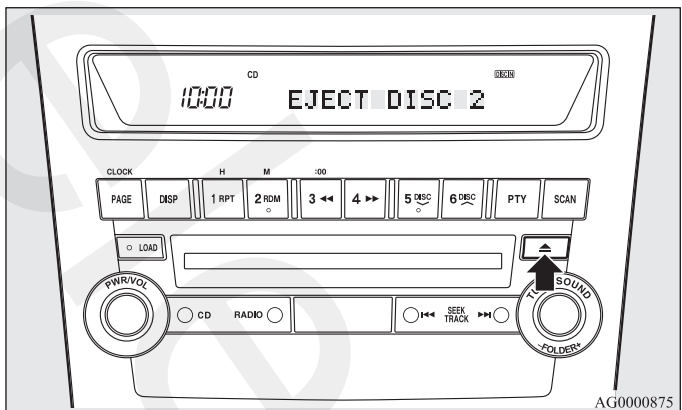
To set all the discs

1. Press the LOAD button (5) for 2 seconds or longer (until you hear a beep).
2. The autochanger will select the lowest-numbered empty slot and switch to loading standby mode.
3. When the display shows "LOAD DISC No.(1-6)", insert a disc. The autochanger will then automatically select the next empty slot and enter loading standby mode.
4. Repeat the above-described steps until every slot contains a disc. Playback will then begin with the disc that you inserted last.

NOTE

- If you press the LOAD button (5) again while the autochanger is in loading standby mode, the loading standby mode will be canceled.

To eject discs



To eject a single disc

Press the eject button (15) briefly to eject the currently selected disc.

NOTE

- If you press the eject button (15) while the display is showing "LOAD DISC No.(1-6)", the loading standby mode will be canceled and the next disc will be ejected.
- If you do not remove an ejected disc before 15 seconds have elapsed, the disc will be reloaded and the eject mode will be canceled. The reloaded disc will not be played.

Comfort controls

To eject all the discs

1. Press the eject button (15) for 2 seconds or longer (until you hear a beep).
2. The currently selected disc will be ejected. When you remove the ejected disc, the next disc will automatically be ejected.
3. Repeat the above-described steps until all of the discs have been ejected. The autochanger will then enter loading standby mode.

NOTE

- If you do not remove an ejected disc before 15 seconds have elapsed, the disc will be reloaded and the eject mode will be canceled. The reloaded disc will not be played.

To select a desired disc

You can select your desired disc by using the DISC button (12 or 13). The active disc will be indicated by “ \cup ” on the display.

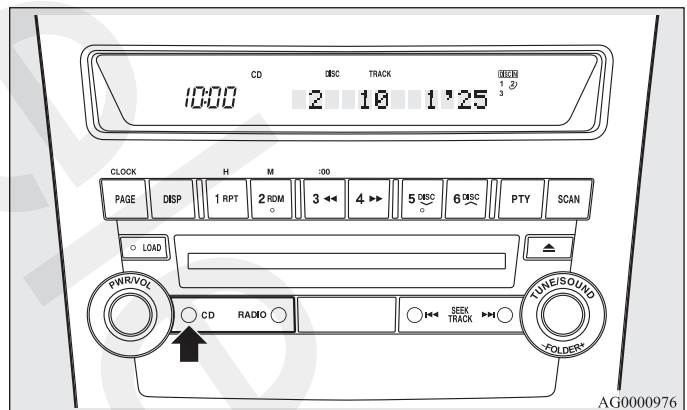
Disc up

Press the DISC button (13) repeatedly until the desired disc number appears on the display.

Disc down

Press the DISC button (12) repeatedly until the desired disc number appears on the display.

To listen to a music CD

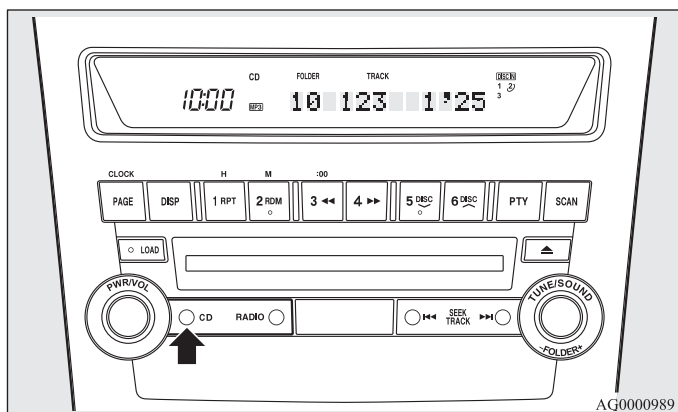


Push the CD button (2) if the discs are already in the autochanger. The autochanger will enter CD mode and start playback. The disc number, the track number, and the playing-time will appear on the display. The discs in the unit will be played consecutively and continuously.

Comfort controls

To listen to an MP3 CD

This autochanger allows you to play MP3 (MPEG Audio Layer-3) files recorded on CD-ROMs, CD-Rs (recordable CDs), and CD-RWs (rewritable CDs) in ISO9660 Level 1/Level 2, Joliet, and Romeo formats. Each disc may have a maximum of 16 trees, 100 folders and 255 files. During MP3 playback, the unit can display ID3 tag information. For information concerning ID3 tag, refer to “CD text and MP3 title display” on page 5-95.



Push the CD button (2) if the discs are already in the autochanger.

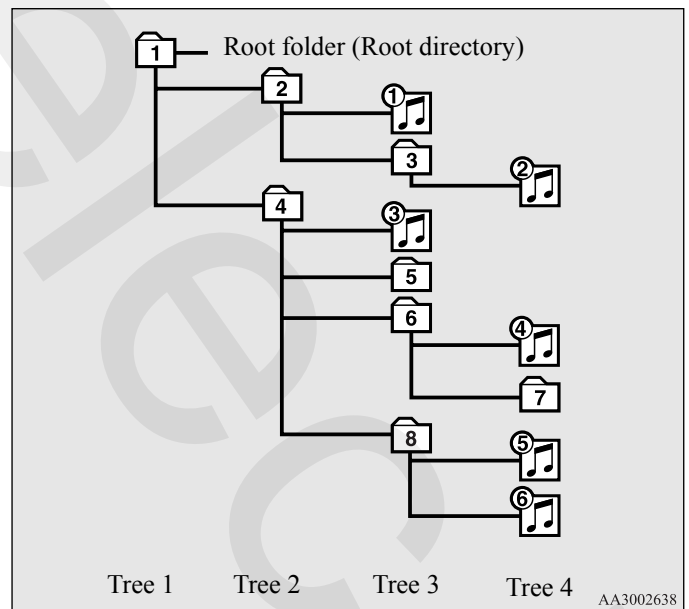
The display shows “READING”, then playback begins. The folder number, the track number, the playing-time, and “MP3” indicator will appear on the display.

NOTE

- While listening to a disc on which CD-DA (CD-Digital Audio) and MP3 files have both been recorded, you can switch between reading of the CD-DA, reading of the MP3 files, and the external audio input mode by pressing the CD button for 2 seconds or longer (until you hear a beep).
For information on the external audio input, refer to “To use the external audio input function” on 5-118.
- With a disc that contains both CD-DA and MP3 files, the CD-DA files are automatically played first.
- The playback sound quality differs depending on the encoding software and the bit rate. For details, refer to the user manual of your encoding software.
- Depending on file/folder configurations on a disc, it may take some time before playback starts.
- MP3 encode software and writing software are not supplied with this unit.
- You may encounter trouble in playing an MP3 or displaying the information of MP3 files recorded with certain writing software or CD recorders (CD-R/RW drivers).
- If you record too many folders or files other than MP3 onto a disc, it may take some time before playback starts.
- This unit does not record MP3 files.
- For information concerning CD-Rs/RWs, refer to “Notes on CD-Rs/RWs” on page 5-133.

⚠ CAUTION
● Attempting to play a file not in the MP3 format which has the “.mp3” file name may produce noise from the speakers and speaker damage, and can damage your hearing.

Folder selection order/MP3 file playback order (Example)



Folder selection
In the order 1 - 8

File selection
In the order 1 - 6

Comfort controls

To fast forward/reverse the disc

To fast forward or fast reverse the disc, press the fast-forward button (11) or the fast-reverse button (10).

Fast forward

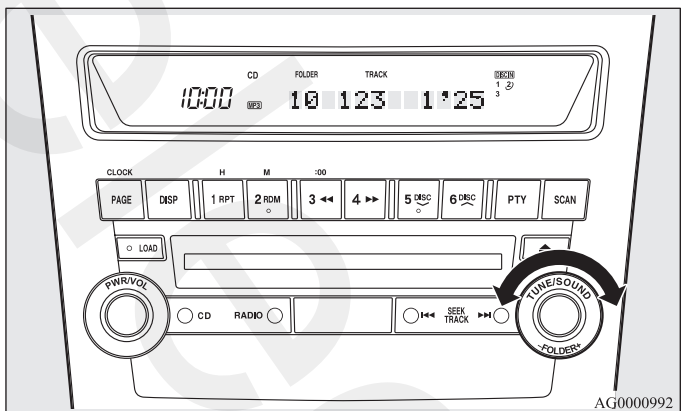
You can fast-forward the disc by pressing the fast-forward button (11). While the button is kept pressed, the disc will be fast-forwarded.

Fast reverse

You can fast reverse the disc by pressing the fast-reverse button (10). While the button is kept pressed, the disc will be fast-reversed.

To select a desired folder (MP3 CDs only)

You can select your desired folder by turning the FOLDER switch (17).



Folder up

Turn the FOLDER switch (17) clockwise until the desired folder number appears on the display.

Folder down

Turn the FOLDER switch (17) counterclockwise until the desired folder number appears on the display.

Comfort controls

To select a desired track

You can select your desired track by using the TRACK button (18).

Track up

Press the ►► side of the TRACK button (18) repeatedly until the desired track number appears on the display. When listening to a MP3 CD, keep pressing the button to continue to move up tracks.

Track down

Press the ◀◀ side of the TRACK button (18) repeatedly until the desired track number appears on the display. When listening to a MP3 CD, keep pressing the button to continue to move down tracks.

NOTE

- Pressing the ◀◀ side of the TRACK button (18) once during the song will cause the autochanger to restart playback from the beginning of the song.

To repeat a track

To repeat a track

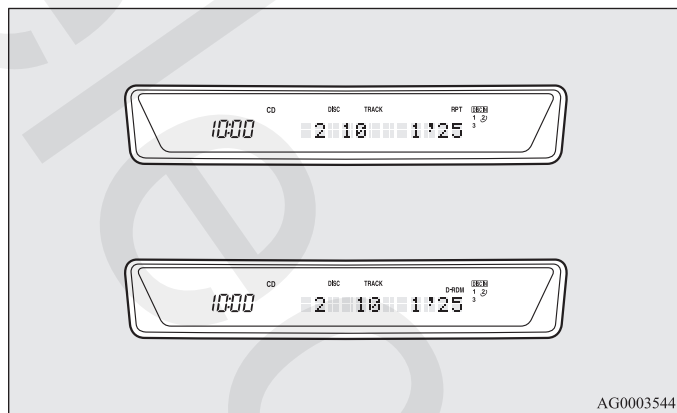
Press the RPT button (8) briefly while the track is playing. "RPT" will appear on the display. To exit the repeat mode, press the RPT button again.

To repeat a disc (music CDs only)

While a song is playing, press the RPT button (8) for 2 second or longer (until you hear a beep). "D-RPT" will appear on the display. You can listen to the music CD repeatedly. To exit the repeat mode, briefly press the RPT button again.

To repeat songs in the same folder (MP3 CDs only)

While a song is playing, press the RPT button (8) for 2 seconds or longer (until you hear a beep). "D-RPT" will appear on the display. The autochanger will repeat all the songs in the same folder. To exit the repeat mode, briefly press the RPT button again.



NOTE

- The single track repeat mode will be canceled by pressing the TRACK button (18) or the eject button (15).
- The disc or folder repeat mode will be canceled by pressing the DISC button (12 or 13) or the eject button.
- With a disc that contains both CD-DA and MP3 files, the repeat mode causes only files of the same format (CD-DA only or MP3 files only) to be repeated.

Comfort controls

To change the order of tracks for playback

Random playback for a disc (music CDs only)

Press the RDM button (9) briefly. "RDM" will appear on the display. Tracks on the currently selected disc will be played in a random sequence.

To exit the random mode, press the RDM button again.

Random playback for a folder (MP3 CDs only)

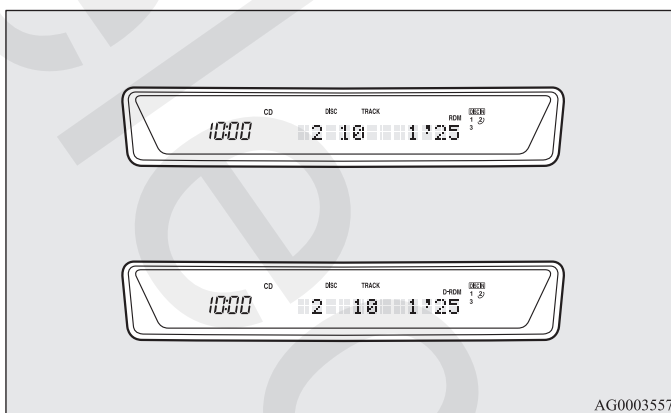
Press the RDM button (9) briefly. "RDM" will appear on the display. Tracks in the currently selected folder will be played in a random sequence. To exit the random mode, press the RDM button again.

Random playback for all discs in the autochanger (music CDs only)

Press the RDM button (9) for 2 seconds or longer (until you hear a beep). "D-RDM" will appear on the display. Tracks from all the discs loaded in the autochanger will be played in a random sequence. To exit the random mode, briefly press the RDM button again.

Random playback for all folders on a disc (MP3 CDs only)

Press the RDM button (9) for 2 seconds or longer (until you hear a beep). "D-RDM" will appear on the display. Tracks from all the folders on the currently selected disc will be played in a random sequence. To exit the random mode, briefly press the RDM button again.



NOTE

- In the all discs random mode, if an MP3 CD has been loaded in the autochanger, the autochanger will skip over it to the next music CD.
- With a disc that contains both CD-DA and MP3 files, the random mode causes only files of the same format (CD-DA only or MP3 files only) to be played in a random sequence.

Comfort controls

To find the start of each track on a disc for playback

Press the SCAN button (14). "SCAN" will appear on the display and the autochanger will play back the first 10 seconds of each track on the selected disc.

The track number will blink while the scan mode is selected. To stop the scan mode, press the SCAN button again.

NOTE

- Once all tracks on the disc have been scanned, playback of the disc will restart from the beginning of the track that was playing when scanning started.
- The scan mode will be canceled when radio or CD operation is selected.
- With a disc that contains both CD-DA and MP3 files, the scan mode causes only files of the same format (CD-DA only or MP3 files only) to be played.

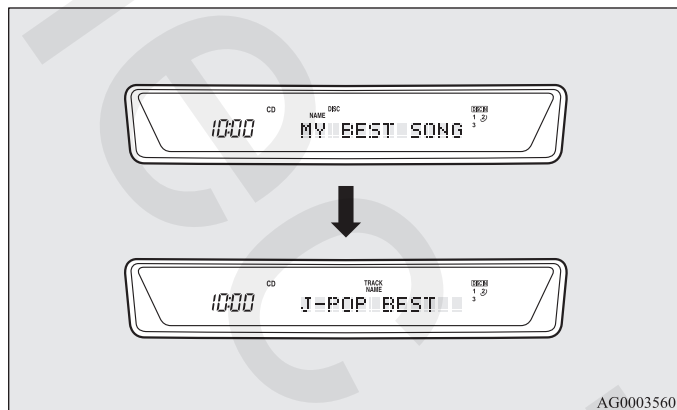
CD text and MP3 title display

N00752100078

This autochanger can display CD text and MP3 titles including ID3 tag information.

CD text

The autochanger can display disc and track titles for discs with converted disc and track title information. Press the DISP button (7) repeatedly to make selections in the following sequence: disc name → track name → normal display mode.



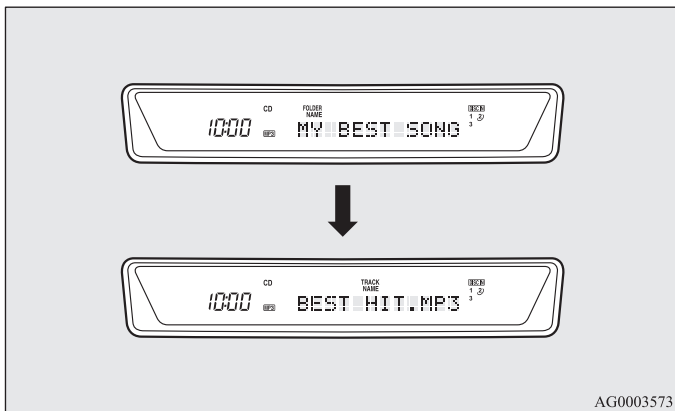
NOTE

- The display can show up to 12 characters. If a disc name or track name has more than 12 characters, press the PAGE button (6) to view the next 12 characters.
- When there is no title information to be displayed, the display shows "NO TITLE".
- Characters that the autochanger cannot display are shown as "•".

Comfort controls

MP3 title

The autochanger can display folder and track titles for discs with converted folder and track information. Press the DISP button (7) repeatedly to make selections in the following sequence: folder name → track name → normal display mode.



5

ID3 tag information

The autochanger can display ID3 tag information for files that have been recorded with ID3 tag information.

1. Press the DISP button (7) for 2 seconds or longer to switch to the ID3 tag information. “TAG” indicator will appear on the display.
2. Press the DISP button repeatedly to make selections in the following sequence: album name → track name → artist name → normal display mode.

NOTE

- To return from ID3 tag information to the folder name, press the DISP button (7) again for 2 seconds or longer.
- When there is no title information to be displayed, the display shows “NO TITLE”.
- The display can show up to 12 characters. If a folder name, track name, or item of ID3 tag information has more than 12 characters, press the PAGE button (6) to view the next 12 characters.
- Folder names and track names can each be displayed up to a length of 32 characters. Items of ID3 tag information can each be displayed up to a length of 30 characters.
- Characters that the autochanger cannot display are shown as “•”.

To play tracks from USB device (if so equipped)

N00762200027

You can connect your iPod or USB memory device to the USB input terminal and play music files stored in the iPod or USB memory device.

See the following section for the types of connectable devices and supported files.

Refer to “Types of connectable devices and supported file specifications” on page 3-268.

See the following sections for the connecting methods, “How to connect an iPod” on page 3-267 and “How to connect a USB memory device” on page 3-265.

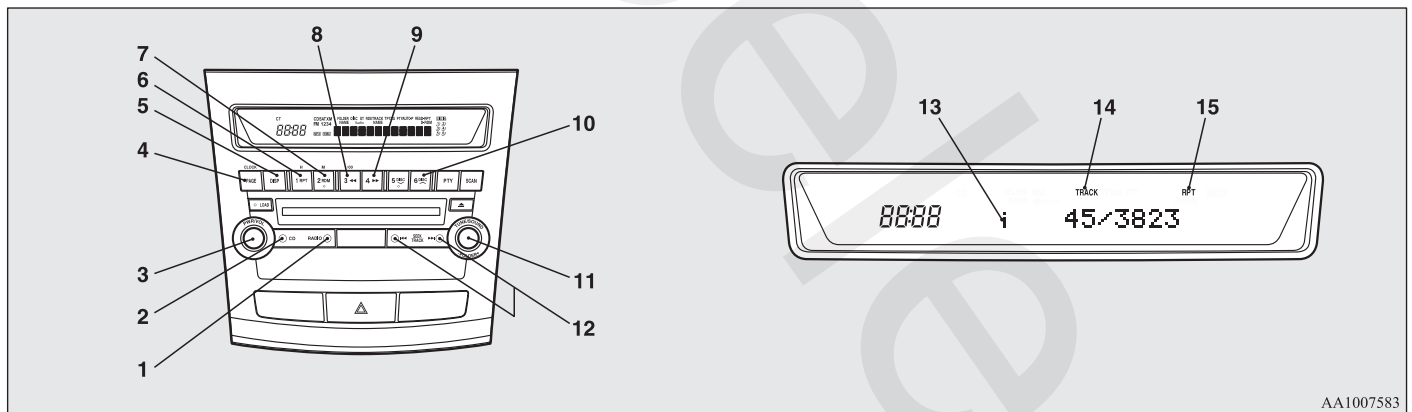
If your vehicle is equipped with a Bluetooth® 2.0 interface, you can play music files in your iPod or USB memory device via voice operation.

Refer to “To play iPod tracks via voice operation” on page 5-102 and “To play USB memory device tracks via voice operation” on page 5-113.

Comfort controls

iPod control panel and display

N00762300015



AA1007583

15- RPT/RDM/D-RDM indicator

- 1- RADIO button
- 2- CD (Mode change) button
- 3- PWR (On-Off) button
- 4- PAGE (Title scroll) button
- 5- DISP (Title display) button
- 6- RPT (Repeat) button
- 7- RDM (Random) button
- 8- ◀◀ (Fast-reverse) button
- 9- ▶▶ (Fast-forward) button
- 10- DISC UP button
- 11- FOLDER switch
- 12- TRACK (Track up/down) button
- 13- i (iPod) indicator
- 14- TRACK indicator

Comfort controls

To play from an iPod

N0076240058

1. Press the PWR button (3) to turn on the audio system. The system turns on in the last mode used.
2. Connect your iPod to the USB input terminal.
Refer to “How to connect an iPod” on page 3-267.
3. Press the CD button (2) several times to switch to the iPod mode. The input mode changes every time the CD button is pressed.

CD mode → iPod mode → Bluetooth® mode (if so equipped) → Rear-seat display mode (if so equipped)

NOTE

- If your vehicle is equipped with audio/video input RCA terminals, pressing and holding the CD button for 2 seconds or more switches the system to the AUX mode.

4. Once the device is selected, playback starts and “i” appears on the display.

NOTE

- Depending on the condition of your iPod, it may take a longer time before the playback starts.

5. To stop the playback, press the RADIO button (1) or CD button (2) to switch to a different mode.

NOTE

- Buttons on the iPod are disabled while the iPod is connected to the audio system.
- To adjust the volume and tone, refer to “To adjust the volume” on page 5-48, 5-68 and “To adjust the tone” on page 5-48, 5-68.

To fast-forward/reverse the track

N00762500017

To fast-forward/reverse the current track, press the ►► button (9) or ◀◀ button (8).

Fast-forward

To fast-forward the current track, press the ►► button (9). While the button is pressed, the track will be fast-forwarded.

Fast-reverse

To fast-reverse the current track, press the ◀◀ button (8). While the button is pressed, the track will be fast-reversed.

Comfort controls

To select a desired track

Press the TRACK button (12) to select the desired track number.

- Press ►► : The track number increases by one.
- Press ◄◄ : The track number decreases by one.
- Press ►► for a long period (approx. 2 seconds or more) : The track number increases continuously while the button is pressed.
- Press ◄◄ for a long period (approx. 2 seconds or more) : The track number decreases continuously while the button is pressed.

If the ◄◄ side of the button is pressed once while a track is playing, playback returns to the start of that track.

NOTE

- Every time the track selection button is pressed, the track number in the display changes.

To find a track from the iPod menu

You can select desired tracks from the “Playlists”, “Artists”, “Albums”, “Songs” or “Genre” (vehicles with Bluetooth® 2.0 interface) menus on your iPod.

Operate the following switch to select desired tracks. The selected menu or category or track is shown in the display.

- Turn the FOLDER switch (11) : To show the menu or category or track.
- Press the FOLDER switch (11) : To select the menu or category or track.

NOTE

- To cancel the selection, press the DISC UP button (10) to return to the previous step.
- If no operation is performed for 10 seconds or more or another button is operated after the FOLDER button has been pressed, searching of the desired tracks is canceled.
- If no operation is performed for 5 seconds or more after the track is displayed, playback starts.

Comfort controls**To play the same track repeatedly**

N0076280010

Press the RPT button (6) during playback to show “RPT” in the display.

To exit this mode, press the button again.

To play tracks in random order

N0076290011

Press the RDM button (7) to show “RDM” in the display.

The iPod randomly selects tracks from the current category and plays the selected tracks.

To exit this mode, press the button again.

To play tracks in each album in random order

N0076300019

Press and hold the RDM button (7) until you hear a beep to show “D-RDM” in the display.

The iPod randomly selects tracks in the album from the current category and play the selected tracks.

To exit this mode, press the button again.

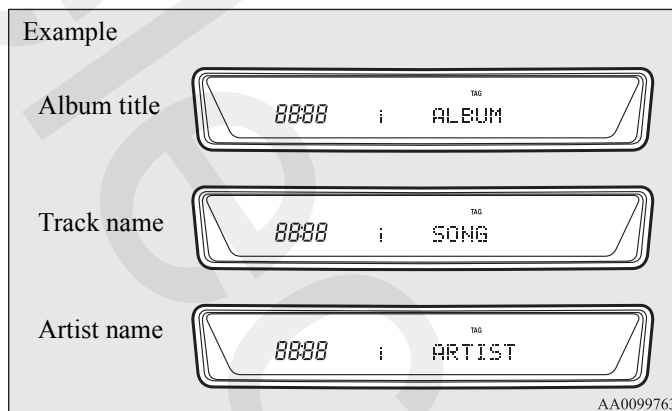
To switch the display

N0076310036

You can display the track titles, artist names and album titles recorded in the iPod.

The display changes as follows every time the DISP button (5) is pressed during playback.

Album title → Track name → Artist name → Normal display

**NOTE**

- Up to 10 characters are shown in the display at once. If the title is cut off in the middle, press the PAGE button (4). The next characters are displayed every time this button is pressed.
- If no title is stored, “NO TITLE” is shown in the display.
- Characters that cannot be displayed are substituted by “•”.

Comfort controls

To play iPod tracks via voice operation (vehicles with Bluetooth® 2.0 interface)

N00763200024

Desired tracks can be selected and played from your iPod by “Artist”, “Album”, “Playlist” and “Genre” using voice commands.

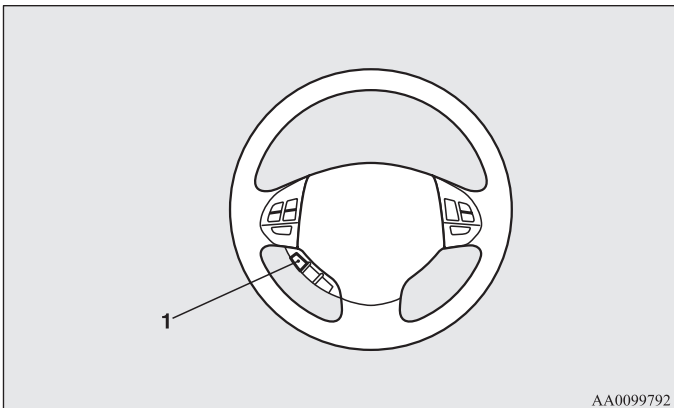
For information concerning the voice recognition function or speaker registration function, refer to “Bluetooth® 2.0 interface” on page 3-239.

The following explains how to prepare for voice operation and play the tracks.

Preparation for voice operation

N00763300012

To use the voice operation, press the SPEECH button (1) first.



AA0099792

To search by artist name

N00763400042

1. Say “Play” on the main menu.

NOTE

- The Bluetooth® 2.0 interface starts recognizing the connected device.
If the connected device cannot be recognized or a connection error occurs, the Bluetooth® 2.0 interface starts an appropriate voice guide. Follow the voice guide.

2. After the voice guide says “Would you like to play by Artist, Album, Playlist or Genre?,” say “Artist”.

NOTE

- If you say “Artist <name>,” you can skip step 3.

3. After the voice guide says “What Artist would you like to play?,” say the artist name.

4. If there is only one match, the system proceeds to step 6.

5. If there are two or more matches, the voice guide will say “More than one match was found, would you like to play <artist name>?” If you say “Yes,” the system proceeds to step 6.
If you say “No,” the next matching artist is uttered by the system.

NOTE

- If you say “No” to three or all artist names uttered by the system, the voice guide will say “Artist not found, please try again” and the system returns to step 2.
- Search time depends on the number of songs on your connected device. Devices containing a large number of songs may take longer to return search results.

6. After the voice guide says “Playing <artist name>,” the system creates a playlist index for the artist.

NOTE

- If the confirmation function is active, the voice guide confirms if the artist name is correct. If the artist name is correct, say “Yes”. If not, say “No”. After the voice guide says “Artist not found, please try again,” the system returns to step 2.
7. The system exits the voice recognition mode and starts playback.

Comfort controls

To search by album title

N00763500043

1. Say “Play” on the main menu.

NOTE

- The Bluetooth® 2.0 interface starts recognizing the connected device.
If the connected device cannot be recognized or a connection error occurs, the Bluetooth® 2.0 interface starts an appropriate voice guide. Follow the voice guide.

2. After the voice guide says “Would you like to play by Artist, Album, Playlist or Genre?,” say “Album”.

NOTE

- If you say “Album <title>,” you can skip step 3.
3. After the voice guide says “What Album would you like to play?” say the album title.
 4. If there is only one match, the system proceeds to step 6.
 5. If there are two or more matches, the voice guide will say “More than one match was found, would you like to play <album title>?” If you say “Yes,” the system proceeds to step 6.
If you say “No,” the name of the next matching album is uttered by the system.

NOTE

- If you say “No” to three or all album titles uttered by the system, the voice guide will say “Album not found, please try again” and the system returns to step 2.

Comfort controls

6. After the voice guide says “Playing <album title>,” the system creates a playlist index for the album title.

NOTE

- If the confirmation function is active, the voice guide confirms if the album title is correct. If the album title is correct, say “Yes”. If not, say “No”. After the voice guide says “Album not found, please try again,” the system returns to step 2.
7. The system exits the voice recognition mode and starts playback.

To search by playlist

N00763600028

1. Say “Play” on the main menu.

NOTE

- The Bluetooth[®] 2.0 interface starts recognizing the connected device.
If the connected device cannot be recognized or a connection error occurs, the Bluetooth[®] 2.0 interface starts an appropriate voice guide. Follow the voice guide.

2. After the voice guide says “Would you like to play by Artist, Album, Playlist or Genre?,” say “Playlist”.

NOTE

- If you say “Playlist <playlist>,” you can skip step 3.
If the device has no playlist, the voice guide will say “There are no playlists stored on device” and the system returns to step 2.

3. After the voice guide says “What Playlist would you like to play?,” say the playlist name.
4. If there is only one match, the system proceeds to step 6.

5. If there are two or more matches, the voice guide will say “More than one match was found, would you like to play <playlist>?” If you say “Yes,” the system proceeds to step 6.
If you say “No,” the next matching playlist name is uttered by the system.

NOTE

- If you say “No” to three or all playlist names uttered by the system, the voice guide will say “Playlist not found, please try again” and the system returns to step 2.

6. After the voice guide says “Playing <playlist>,” the system creates an index for the playlist.

NOTE

- If the confirmation function is active, the voice guide confirms if the playlist name is correct. If the playlist name is correct, say “Yes”. If not, say “No”. After the voice guide says “Playlist not found, please try again,” the system returns to step 2. Refer to “Confirmation function setting” on page 3-243.

7. The system exits the voice recognition mode and starts playback.

Comfort controls

To search by genre

N00763700029

1. Say “Play” on the main menu.

NOTE

- The Bluetooth® 2.0 interface starts recognizing the connected device.
If the connected device cannot be recognized or a connection error occurs, the Bluetooth® 2.0 interface starts an appropriate voice guide. Follow the voice guide.

2. After the voice guide says “Would you like to play by Artist, Album, Playlist or Genre?,” say “Genre”.

NOTE

- If you say “Genre <type>,” you can skip step 3.

3. After the voice guide says “What Genre would you like to play?,” say the music type.
4. If there is only one match, the system proceeds to step 6.
5. If there are two or more matches, the voice guide will say “More than one match was found, would you like to play <genre>?” If you say “Yes,” the system proceeds to step 6.
If you say “No,” the next matching genre is uttered by the system.

NOTE

- If you say “No” to three or all genres uttered by the system, the voice guide will say “Genre not found, please try again” and the system returns to step 2.

Comfort controls

6. After the voice guide says "Playing <genre>," the system creates an index for the genre.

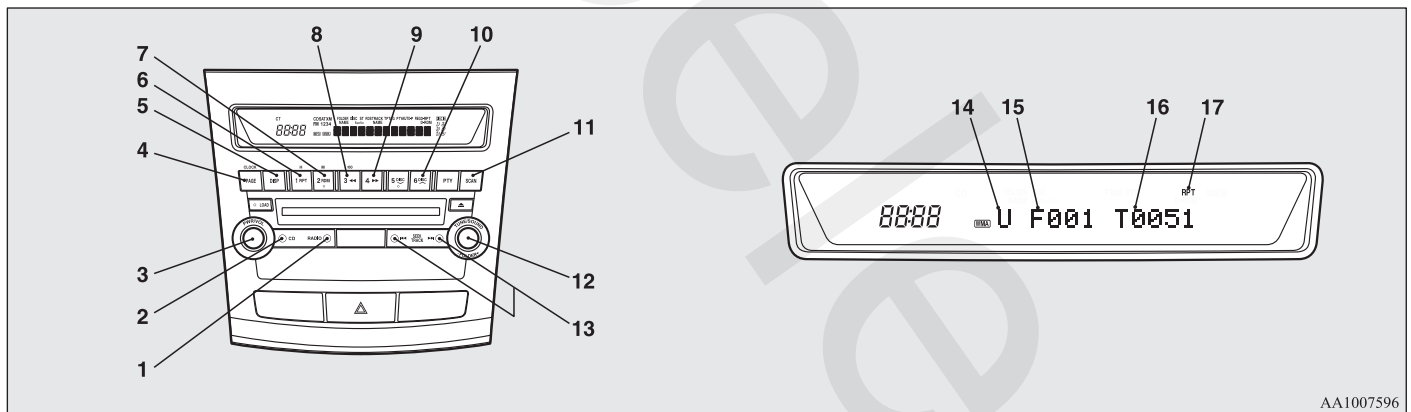
NOTE

- If the confirmation function is active, the voice guide confirms if the genre is correct. If the genre is correct, say "Yes". If not, say "No". After the voice guide says "Genre not found, please try again," the system returns to step 2. Refer to "Confirmation function setting" on page 3-243.
7. The system exits the voice recognition mode and starts playback.

Comfort controls

USB control panel and display

N0076390018



AA1007596

- 1- RADIO button
- 2- CD (Mode change) button
- 3- PWR (On-Off) button
- 4- PAGE (Title scroll) button
- 5- DISP (Title display) button
- 6- RPT (Repeat) button
- 7- RDM (Random) button
- 8- ◀◀ (Fast-reverse) button
- 9- ▶▶ (Fast-forward) button
- 10- DISC UP button
- 11- SCAN button
- 12- FOLDER switch
- 13- TRACK (Track up/down) button
- 14- U (USB) indicator

- 15- FOLDER indicator
- 16- TRACK indicator
- 17- RPT/D-RPT/RDM/D-RDM/SCAN/F-SCAN indicator

Comfort controls

To play from a USB memory device

N00764000058

1. Press the PWR button (3) to turn on the audio system. The system turns on in the last mode used.
2. Connect your USB memory device to the USB input terminal.
Refer to “How to connect a USB memory device” on page 3-265.
3. Press the CD button (2) several times to switch to the USB mode. The input mode changes as follows every time the CD button is pressed.
CD mode → USB mode → Bluetooth® mode (if so equipped) → Rear-seat display mode (if so equipped)

NOTE

- If your vehicle is equipped with audio/video input RCA terminals, pressing and holding the CD button for 2 seconds or more switches the system to the AUX mode.

5

4. Once the device is selected, playback starts and “U” appears on the display.

NOTE

- Depending on the condition of your USB device, it may take a longer time before the playback starts.

5. To stop the playback, press the RADIO button (1) or CD button (2) to switch to a different mode.

NOTE

- To adjust the volume and tone, refer to “To adjust the volume” on page 5-48, 5-68 and “To adjust the tone” on page 5-48, 5-68.

Supported compressed music files

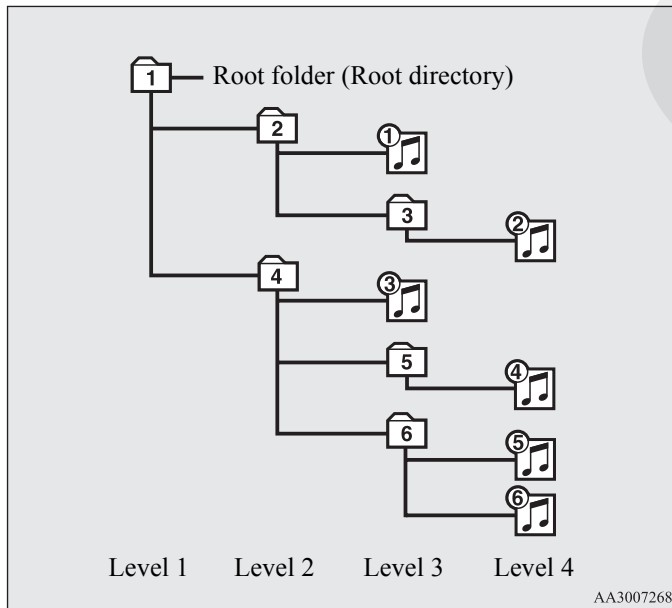
N00764100059

This audio can play MP3, WMA, AAC and WAV files recorded in a USB memory device. This audio supports up to 65,535 files in 700 folders on 8 levels.

Comfort controls

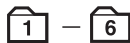
Folder selection order/file playback order (example)

The folder and file hierarchy in the USB memory device is shown below.



Folder selection

In the order



File selection

In the order



NOTE

- If a file protected by copyrights is played, “USB FILE ERROR” will appear and the file will be skipped.

To fast-forward/reverse the track

N00764200018

To fast-forward/reverse the current track, press the ►► button (9) or ◀◀ button (8).

Fast-forward

To fast-forward the current track, press the ►► button (9). While the button is pressed, the track will be fast-forwarded.

Fast-reverse

To fast-reverse the current track, press the ◀◀ button (8). While the button is pressed, the track will be fast-reversed.

Comfort controls

To select a file

Press the TRACK button (13) to select the desired file number.

- Press ►► : The file number increases by one.
Press ◄◄ : The file number decreases by one.
Press ►► for a long period (approx. 2 seconds or more) : The file number increases continuously while the button is pressed.
Press ◄◄ for a long period (approx. 2 seconds or more) : The file number decreases continuously while the button is pressed.

If the ◄◄ side of the button is pressed once after a few seconds, playback returns to the start of that track.

NOTE

- Every time the TRACK button (13) is pressed, the file number in the display changes.

To find a track

You can select a folder to find a desired track.

1. Turn the FOLDER switch (12) to show the desired folder in the display.

NOTE

- If no operation is performed for 10 seconds or more or another button is operated after the FOLDER switch has been turned, the selected track becomes unselected and the display returns to the playback display.

2. Press the FOLDER switch (12) to select the folder.

NOTE

- When the DISC UP button (10) is pressed, the selected folder is played from the beginning.

3. Turn the FOLDER switch (12) to show the desired track in the display.

NOTE

- If no operation is performed for 5 seconds or more after the FOLDER switch (12) is turned, the displayed track is played.

4. Press the FOLDER switch (12) to select the file.

Comfort controls

To play the same file repeatedly

N00764500011

Press the RPT button (6) to show “RPT” in the display. To cancel this mode, press the button again.

To play the files in the same folder repeatedly

N00764600012

Press and hold the RPT button (6) until you hear a beep to show “D-RPT” in the display.

All tracks in the current folder are played repeatedly. To exit this mode, press the button again.

To play a folder in random order

N00764700013

Press the RDM button (7) to show “RDM” in the display. The audio randomly selects tracks from the current folder and plays the selected tracks. To exit this mode, press the button again.

To play all folders in random order

N00764800014

Press and hold the RDM button (7) until you hear a beep to show “D-RDM” in the display. The audio randomly selects tracks from all folders and plays the selected tracks. To exit this mode, press the button again.

To find the start of each track in a folder for playback

N00764900044

Press the SCAN button (11). “SCAN” is shown in the display and the tracks in the current folder are played for several seconds from the beginning.

The file number flashes during this cueing playback. To exit this mode, press the button again.

NOTE

- Once all tracks in the folder have been cued, playback will restart from the beginning of the track that was playing when cueing started.

To find the start of first tracks in all folders for playback

N00765000013

Press and hold the SCAN button (11) until you hear a beep to show “F-SCAN” in the display.

The first tracks in all folders are played for several seconds from the beginning.

Playback starts from the folder next to the one currently playing.

The folder number flashes during this cueing playback.

To exit this mode, press the button again.

NOTE

- Once the cueing playback ends, playback will start from the track at the beginning of the folder next to the one that was playing when the cueing started.

Comfort controls

To switch the display

You can display titles with tag information.

Folder title

The display changes as follows every time the DISP button (5) is pressed during playback.

Folder title → File title → Normal display

Tag information

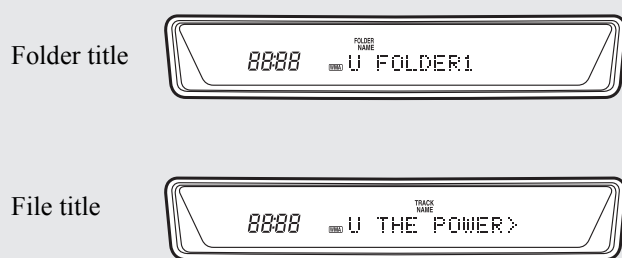
1. Press and hold the DISP button (5) until you hear a beep to show "TAG" in the display.
2. The display changes as follows every time the DISP button (5) is pressed briefly.
Album title → Track title → Artist name → Genre (vehicles with Bluetooth® 2.0 interface) → Normal display

N00765100014

NOTE

- Press and hold the DISP button (5) again until you hear a beep, and the tag information display returns to the folder title display.
- Up to 10 characters are shown in the display at once. If the title is cut off in the middle, press the PAGE button (4). The next characters are displayed every time this button is pressed.
- If no title is stored, "NO TITLE" is shown in the display.
- Characters that cannot be displayed are substituted by "•".

Example



AA0099776

Comfort controls

To play USB memory device tracks via voice operation (vehicles with Bluetooth® 2.0 interface)

N00765200028

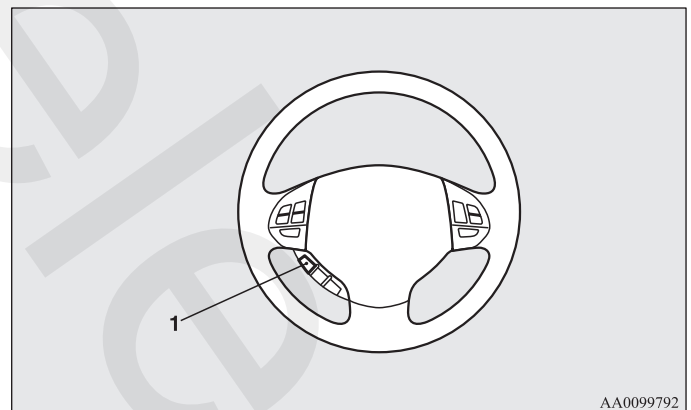
Desired tracks can be selected and played from your USB memory device by “Artist”, “Album”, “Playlist” and “Genre” using voice commands.

For information concerning the voice recognition function or speaker registration function, refer to “Bluetooth® 2.0 interface” on page 3-239.

The playback sequence of tracks is the same as when an iPod is connected. Refer to the “To play iPod tracks via voice operation” on page 5-102.

Preparation for voice operation

To use the voice operation, press the SPEECH button (1) first.



AA0099792

Comfort controls

To play tracks from a Bluetooth[®] device (vehicles with Bluetooth[®] 2.0 interface)

N00765300074

You can wirelessly connect a digital audio player or cellular phone supporting Bluetooth[®] to listen to the tracks on the connected device.

Refer to “Bluetooth[®] 2.0 interface” for the connecting method, etc. on page 3-239.

The following explains the basic playback method.

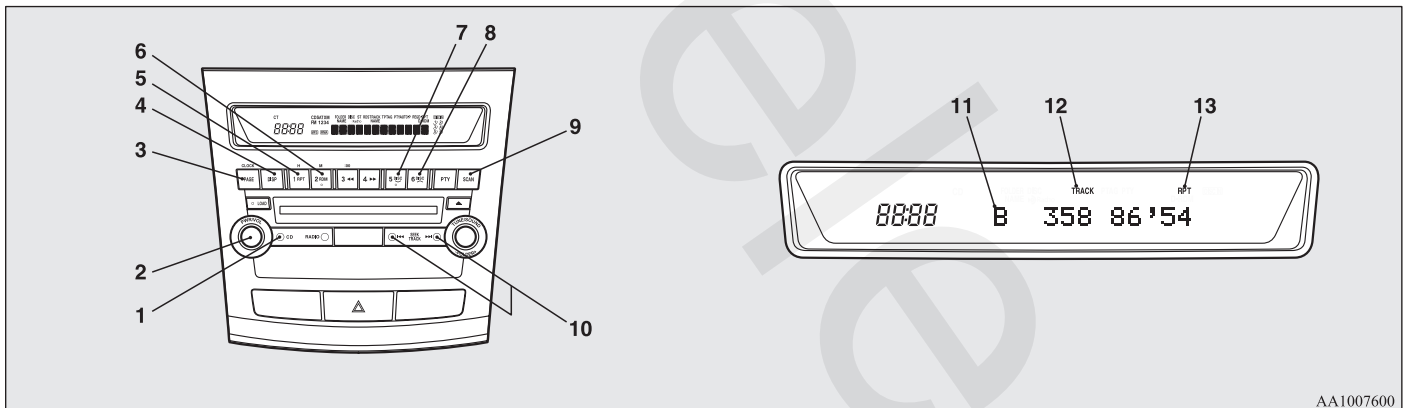
NOTE

- This function may not be available depending on the connected device.
- The voice operation is not available to access music files on the connected Bluetooth[®] device.

Comfort controls

Bluetooth® device control panel and display

N00765400017



AA1007600

- 1- CD (Mode change) button
- 2- PWR (On-Off) button
- 3- PAGE (Title scroll) button
- 4- DISP (Title display) button
- 5- RPT (Repeat) button
- 6- RDM (Random) button
- 7- DISC DOWN (Pause/Stop) button
- 8- DISC UP (Play) button
- 9- SCAN button
- 10- TRACK (Track up/down) button
- 11- B (Bluetooth®) indicator
- 12- TRACK indicator
- 13- RPT/RDM/SCAN indicator

Comfort controls

To listen to tracks from a device connected via Bluetooth®

N00765500076

1. Press the PWR button (2) to turn on the audio system. The system turns on in the last mode used.
2. Press the CD button (1) several times to switch to the B (Bluetooth®) mode. The input mode changes as follows every time the CD button is pressed.
CD mode → USB (iPod) mode → Bluetooth® mode → Rear-seat display mode (if so equipped)

NOTE

- For vehicles equipped with audio/video input RCA terminals, pressing and holding the CD button for 2 seconds or more switches the system to the AUX mode.
3. Connect your Bluetooth® device.
Refer to “Connecting the Bluetooth® 2.0 interface and Bluetooth® device” on page 3-246.
 4. Playback starts automatically.

NOTE

- Depending on the connected device, the playback may not start automatically.
In this case, operate the connected device to start the playback.

To stop the playback (if supported by the device)

N00765600019

To stop the playback, press the DISC DOWN button (7).
To restart the playback, press the DISC UP button (8).

To pause the playback (if supported by the device)

N00765700010

To pause the playback, press the DISC DOWN button (7).
To restart the playback, press the DISC UP button (8).

To select a track (if supported by the device)

N00765800011

Press the TRACK button (10) to select the desired track number.

- | | |
|--|--|
| Press ►► | : The track number increases by one. |
| Press ◀◀ | : The track number decreases by one. |
| Press ►► for a long period (approx. 2 seconds or more) | : The track number increases continuously while the button is pressed. |
| Press ◀◀ for a long period (approx. 2 seconds or more) | : The track number decreases continuously while the button is pressed. |

If the ◀◀ side of the button is pressed once while a track is playing, playback returns to the start of that track.

NOTE

- Every time the track selection button is pressed, the track number in the display changes.

To play the same track repeatedly (if supported by the device)

N00765900012

Press the RPT button (5) during playback to show “RPT” in the display.

To exit this mode, press the button again.

Comfort controls

To play tracks in random order (if supported by the device)

N0076600010

Press the RDM button (6) to show “RDM” in the display. The system randomly selects and plays tracks from all tracks in the Bluetooth® device.

To exit this mode, press the button again.

To find the start of each track for playback (if supported by the device)

N00766100011

Press the SCAN button (9). “SCAN” is shown in the display and all tracks in the Bluetooth® device are played for approximately 10 seconds from the beginning.

To exit this mode, press the button again.

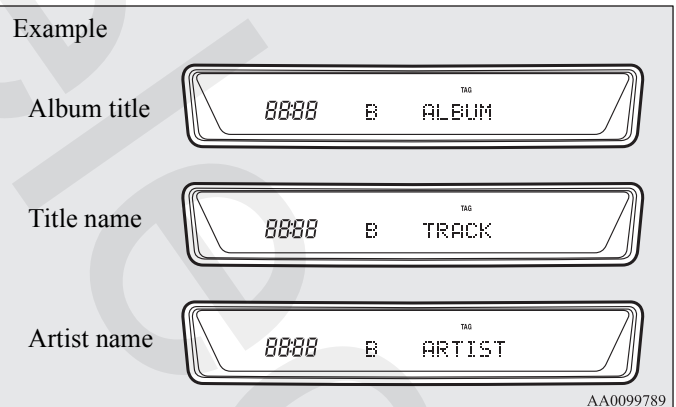
To switch the display (if supported by the device)

N00766200038

The system can display tag information.

1. Press and hold the DISP button (4) until you hear a beep to show “TAG” in the display.

2. The display changes as follows every time the DISP button (4) is pressed briefly:
Album title → Title name → Artist name → Genre
→ Normal display



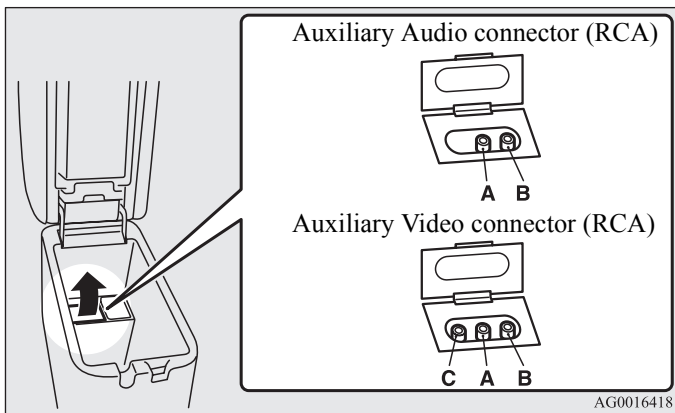
NOTE

- Press and hold the DISP button (4) again until you hear a beep, and the tag information disappears.
- Up to 10 characters are shown in the display at once. If the title is cut off in the middle, press the PAGE button (3). The next characters are displayed every time this button is pressed.
- If no title is stored, “NO TITLE” is shown in the display.
- Characters that cannot be displayed are substituted by “•”.

Comfort controls

To use the external audio input function (if so equipped)

N00702200188



AG0016418

5

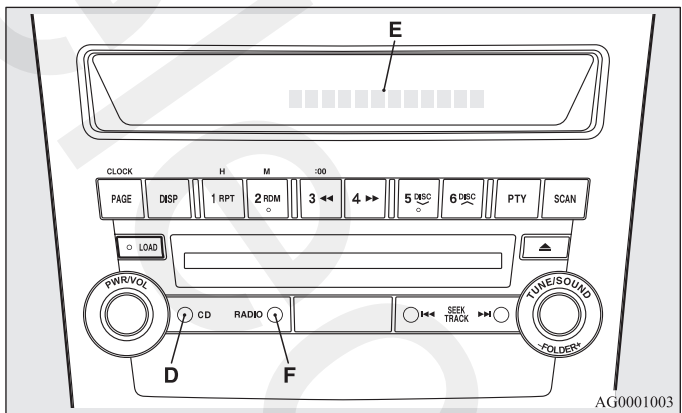
- Auxiliary Audio connector (RCA)
- A- Left audio input connector (white)
- B- Right audio input connector (red)
- Auxiliary Video connector (RCA)
- A- Left audio input connector (white)
- B- Right audio input connector (red)
- C- Video input connector (yellow)

You can listen to commercially available audio equipment, such as a portable audio system, from your vehicle's speakers, by connecting the audio equipment to the audio input connectors, which are external input connectors (pin jacks).

NOTE

- For information on using the Auxiliary Video connector (RCA), refer to the separate owner's manual for the rear-seat display.

To activate the external audio input mode



AG0001003

1. Use a commercially available audio cable to connect the audio equipment to the internal audio input connector.
2. [Vehicles with a premium sound system]
Press the CD button (D) for more than 2 seconds.
The display (E) will show "AUX" and then the external audio input mode will be activated.

Comfort controls

[Vehicles with a rear-seat display]

Press the CD button (D) for more than 2 seconds.

When the power of the rear-seat display is off, the display (E) will show “REAR” and then the external audio input mode will be activated.

Press the CD button (D) for more than 2 seconds.

When the power of the rear-seat display is on, the display (E) will show “AUX REAR”. Press the SOURCE button of the rear-seat display to activate VIDEO mode. (For details, refer to the separate rear-seat display owner’s manual.)

- To deactivate the external audio input mode, press the RADIO button (F) or the CD button (D) to switch to another mode.

⚠ CAUTION
<ul style="list-style-type: none"> ● Do not operate the connected audio equipment while driving. This could distract you and an accident might occur.

NOTE

- The connected audio equipment cannot be operated with the vehicle’s audio system.
- Depending on the connected audio equipment, it may produce noise from the speakers.
- For information on how to connect and operate the audio equipment, refer to the owner’s manual for the equipment.

To listen to a disc in the rear-seat display (vehicles with rear-seat display)

N00762100039

It is possible to listen to the audio from the rear-seat display using the vehicle’s speakers.

Press the CD button (4) to select the rear-seat display mode. Each push of the CD button (4) changes the mode to the next one in the following sequence: CD mode → rear-seat display mode → CD mode.

The following operation of the rear-seat display is possible from the audio system.

Source	Operation
CD	Track selection
MP3/WMA	Folder/Track selection
Video CD	Track/Scene selection
DVD video	Title/Chapter selection
DVD audio	Group/Track selection

To make your desired selection, use the TRACK button (11) or the FOLDER button (12 or 13) on the audio system.

NOTE

- For more details about the rear-seat display, refer to the separate owner’s manual.

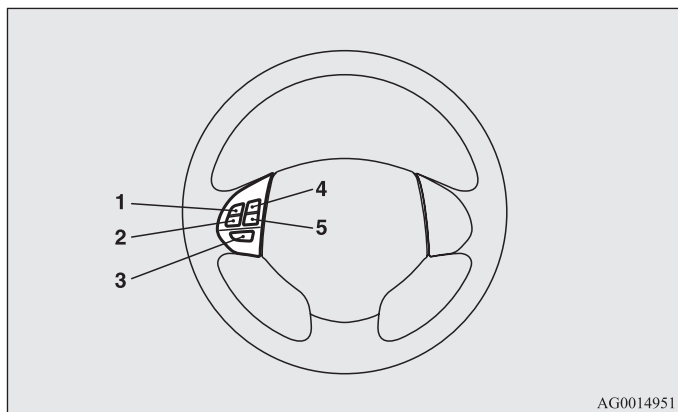
Comfort controls

Steering wheel audio remote control switch (if so equipped)

N00714800468

The remote control switch is located on the left side of the steering wheel.

The switch can be operated when the ignition switch is in either the "ON" or "ACC" position.



AG0014951

- 1- Volume up button
- 2- Volume down button
- 3- Power switch/Mode selector button
- 4- Seek up/Track up/File up/Fast-forward button
- 5- Seek down/Track down/File down/Fast-reverse button

NOTE

- Do not press multiple buttons at the same time when using the steering wheel audio remote control switch.

To turn on the power

Press the power switch (3) to turn on the power. When the power is turned on, the last mode used before turning off is displayed. To turn off the power, press and hold down the power switch (3) for about 2 seconds until you hear a beep.

Volume control

Volume up button - 1

While the button is pressed, the volume will continue to increase.

Volume down button - 2

While the button is pressed, the volume will continue to decrease.

Mode selection

Press the mode selector button (3) to select the desired mode. The mode changes in the following order.

AM → FM1 → FM2 → (SAT1 → SAT2 → SAT3 → SAT4) → CD → (RSES) → USB or iPod* → Bluetooth®* → AM

*: If you connect these devices.

To listen to the radio

Press the mode selector button (3) and select AM or FM mode.

Automatic tuning

Seek up button - 4 / Seek down button - 5

After pressing one of these buttons, a receivable station will be automatically selected and reception of the station will begin.

Comfort controls

Channel selection / Category selection (Vehicles with satellite radio)

Seek up button - 4 / Seek down button - 5

Press the button to select the desired channel.

Pressing down the button for 2 seconds or longer will change the system to category selection mode. While the button is pressed, the category will change in order. When you reach the desired category, release the button.

To listen to a CD

Press the mode selector button (3) and select CD mode.

To fast forward/reverse the disc (music CDs only)

To fast forward or fast reverse the disc, press the fast-forward button (4) or the fast-reverse button (5).

Fast forward

You can fast forward the disc by holding down the fast-forward button (4). While the button is kept pressed, the disc will be fast-forwarded.

Fast reverse

You can fast reverse the disc by holding down the fast-reverse button (5). While the button is kept pressed, the disc will be fast-reversed.

NOTE

- With an MP3 CD, you can fast forward and fast reverse tracks in the same folder.

To select a desired track

You can select your desired track by using the track up button (4) or the track down button (5).

NOTE

- Pressing the track down button once during the song will cause the system to restart playing from the beginning of the song.

To listen to an iPod

Press the mode selector button (3) and select iPod mode.

To select a desired track

Track up button - 4

Press the button repeatedly until the desired track number appears on the display.

NOTE

- The track number continues to increase while the button is pressed.

Track down button - 5

Press the button repeatedly until the desired track number appears on the display.

NOTE

- The track number continues to decrease while the button is pressed.

Comfort controls

To listen to a USB memory device

Press the mode selector button (3) and select USB mode.

To select a desired file

File up button - 4

Press the button repeatedly until the desired track number appears on the display.

NOTE

- The track number continues to increase while the button is pressed.

File down button - 5

Press the button repeatedly until the desired track number appears on the display.

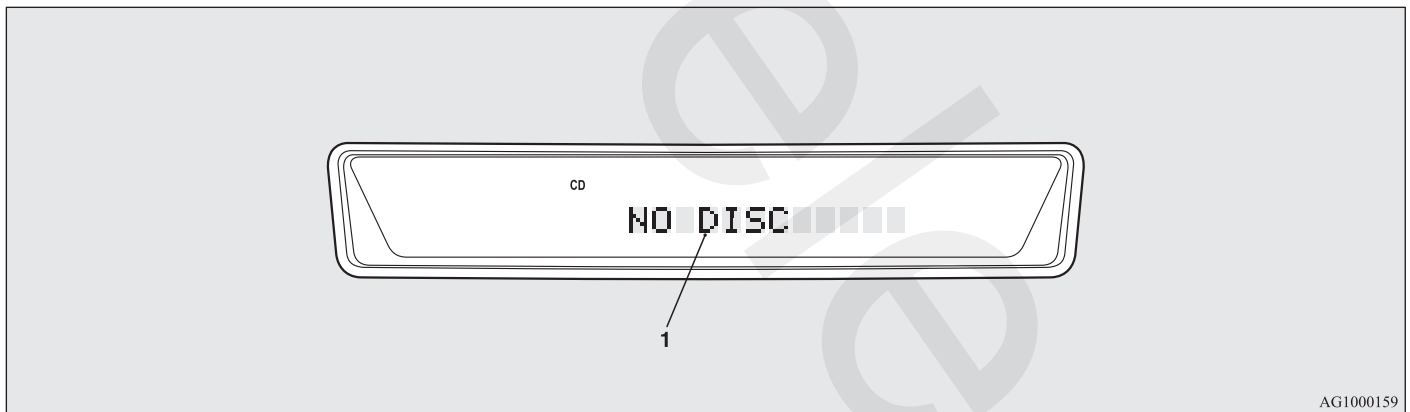
NOTE

- The track number continues to decrease while the button is pressed.

Comfort controls

Error codes

N00736100605



AG1000159

If an error code (1) appears in the display, take action in accordance with the table below.

Error display	Problem	Item	Repair
NO DISC	No disc inserted	Disc is not in CD player.	Insert disc.
ERROR 01	Focus error	Disc is not loaded correctly, or condensation on disc.	Insert disc with label facing up. Remove moisture from disc.
ERROR 02	Disc error	Disc is dirty, scratched, or deformed; or excessive vehicle vibration.	Clean or replace disc. Retry when vibrations stop.
ERROR 03	Mechanism error	Loading or eject error. Pick-up is out of position.	Eject disc and reload. If disc will not eject, bring your vehicle to your authorized Mitsubishi Motors dealer or a repair facility of your choice for repair.

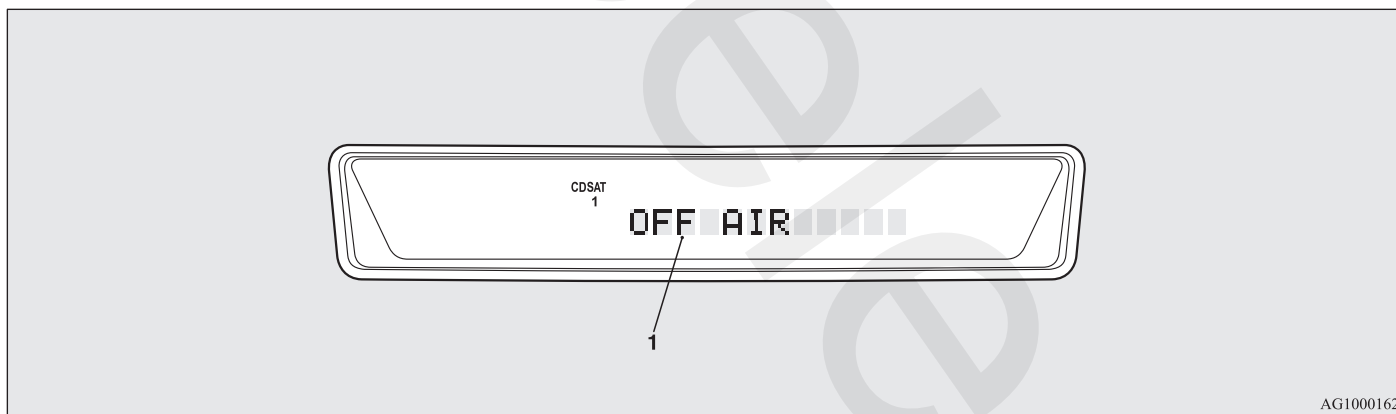
Comfort controls

Error display	Problem	Item	Repair
ERROR HOT	Inside of audio system is hot.	Internal protection against high temperatures.	Allow radio to cool by waiting about 30 minutes.
ERROR	Communication or power supply error	Communication error between external device and equipment. Power supply error of external device.	Check connection of display and radio. If there is poor connection, repair the connection.

Comfort controls

Error codes (SIRIUS Satellite Radio) (if so equipped)

N00760300082



AG1000162

If an error code (1) appears in the display, take action in accordance with the table below.

Error display	Problem	Description	Repair
ANTENNA ↔ ERROR	Antenna error	The antenna may be faulty, not securely connected, or open-circuited.	Take the vehicle to your authorized Mitsubishi Motors dealer or a repair facility of your choice.
ACQUIRING	Cannot pick up signal.	The signal is too weak to be received.	Move to a place where the signal is easy to receive.
CALL ↔ 888-539-SIRIUS	Unauthorized channel	Contract does not include reception of this channel.	Contact SIRIUS Satellite Radio and obtain a contract.
NO CHANNEL	There is no selectable channel.	There is no selectable channel.	Cancel SKIP settings.

Comfort controls

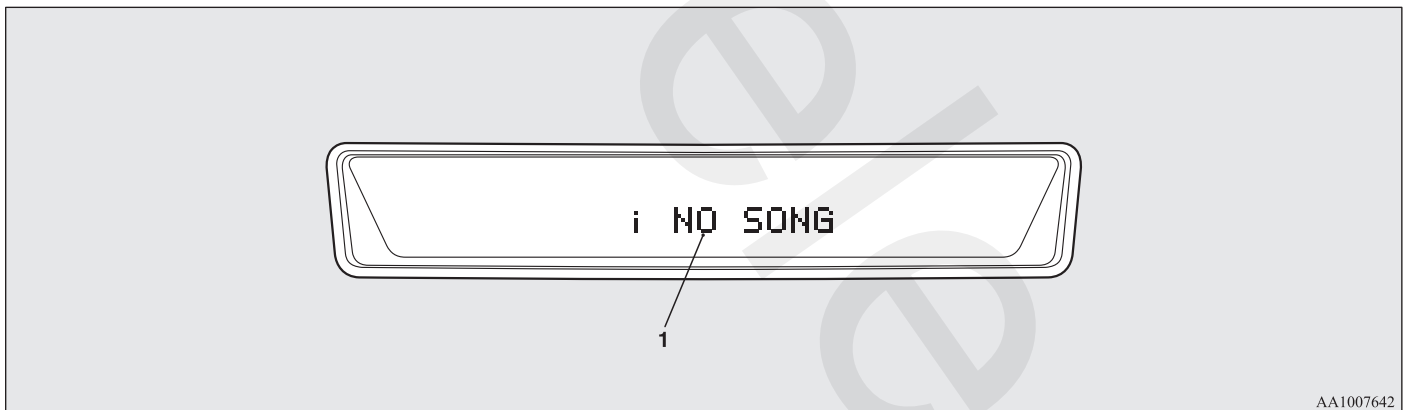
Error display	Problem	Description	Repair
INVALID ↔ CHANNEL	Channel is invalid	No program is currently being broadcast on this channel; or reception is not possible with this channel.	Consult SIRIUS Satellite Radio at 888-539-SIRUS.
SAT ERROR	Mechanical fault or bad connection	There is a mechanical fault or a bad connection.	Take the vehicle to your authorized Mitsubishi Motors dealer or a repair facility of your choice.
OFF AIR	OFF AIR	This channel is not broadcasting at the present time; or satellite radio broadcasting is suspended.	Check the broadcast times with SIRIUS Satellite Radio.
NOT ACTIVATED	ID not registered	The ID code in the receiver has not been registered with SIRIUS Satellite Radio.	Contact your authorized Mitsubishi Motors dealer or a repair facility of your choice.
READING	Data reading in progress	Reading of received data is in progress.	Received data are being read. Please wait.
UPDATING	Channel data updating in progress	SIRIUS Satellite Radio is presently updating the channel data.	Wait until updating is complete.
SUB UPDATED	Contract status updating complete	The contract status has been updated.	Press any audio key.

NOTE

- Reception may not be possible in a place where the signal is interrupted by a tunnel, by the roof of a garage or other structure, by woods, or by a tall building. At such times, the audio is muted. This behavior does not indicate a fault.
- Reception conditions may vary according to the angle of the satellite used for the satellite radio service.
- Reception may deteriorate if a luggage carrier is attached to the roof or snow collects on the antenna.
- Satellite radio reception may not be possible in certain regions.

Error codes (iPod)

N00766300013



AA1007642

If an error code (1) appears in the display, take action in accordance with the table below.

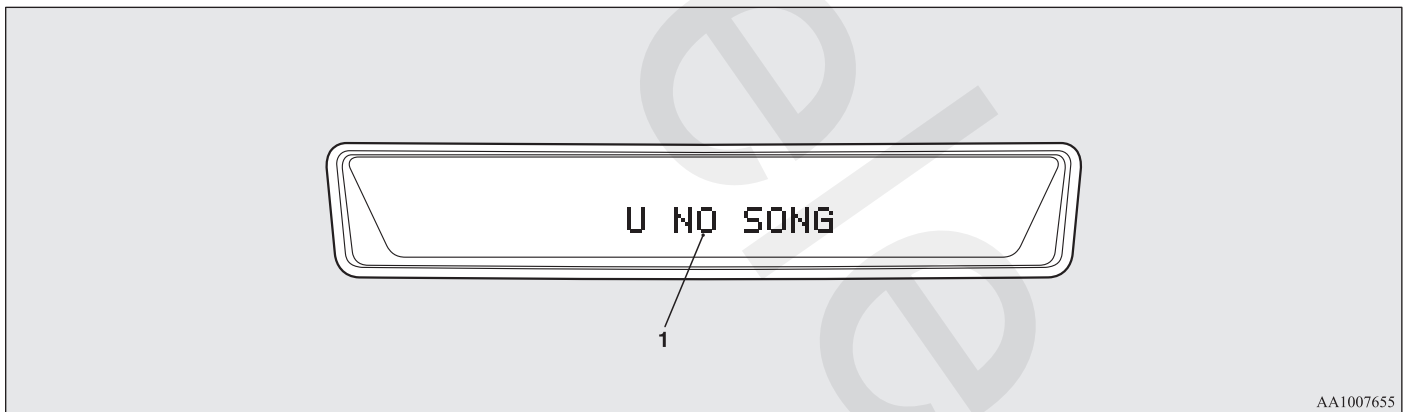
Error display	Item	Repair
NO SONG	There are no playable music files.	Record music files in the iPod.
VER ERROR (Blink)	The iPod or its software cannot be recognized.	Connect a supported iPod.
USB BUS PWR (Blink)	An overcurrent or other power-supply error has occurred.	Remove the iPod. Have the vehicle inspected at an authorized Mitsubishi Motors dealer or a repair facility of your choice.

Comfort controls

Error display	Item	Repair
CONNECT RETRY (Blink)	If the iPod indicator illuminates, the iPod cannot be authenticated.	Reconnect the iPod.
	If the iPod indicator goes out, it shows the USB communication error.	Reconnect the iPod correctly. If this error is displayed again, have the vehicle inspected at an authorized Mitsubishi Motors dealer or a repair facility of your choice.

Error codes (USB memory device)

N00766400014



AA1007655

If an error code (1) appears in the display, take action in accordance with the table below.

Error display	Item	Repair
U NO SONG	There are no playable music files.	Record music files in the format supported by the USB memory device.
U FILE ERROR (Blink)	The file cannot be played.	The file is protected by copyrights, etc. An error is displayed for several seconds, and then the next playable file is played automatically.
UNSUPPORTED DEVICE (Blink)	The USB memory device cannot be recognized.	Remove the USB memory device.
UNSUPPORTED FORMAT (Blink)	The USB memory device format cannot be recognized.	Remove the USB memory device.

Comfort controls

Error display	Item	Repair
USB BUS PWR (Blink)	An overcurrent or other power-supply error has occurred.	Remove the USB memory device. Have the vehicle inspected at an authorized Mitsubishi Motors dealer or a repair facility of your choice.
U LSI ERROR (Blink)	Internal device errors	Have the vehicle inspected at an authorized Mitsubishi Motors dealer or a repair facility of your choice.
U CONNECT RETRY (Blink)	USB communication error	Reconnect the USB memory device correctly. If this error is displayed again, have the vehicle inspected at an authorized Mitsubishi Motors dealer or a repair facility of your choice.

Handling of compact discs

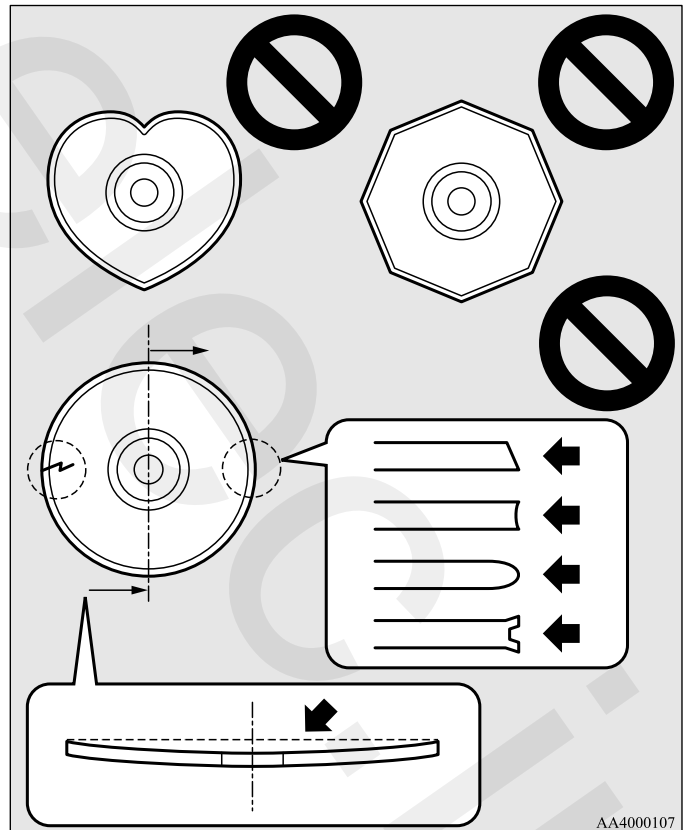
N00734100337

- Use only the type of compact discs that have the mark shown in the illustration below. (Playback of CD-R or CD-RW discs may cause problems.)



- The use of special shaped, damaged compact discs (like cracked discs) or low-quality compact discs (like warped discs or burrs on the discs) such as those shown will damage the CD player.

Comfort controls



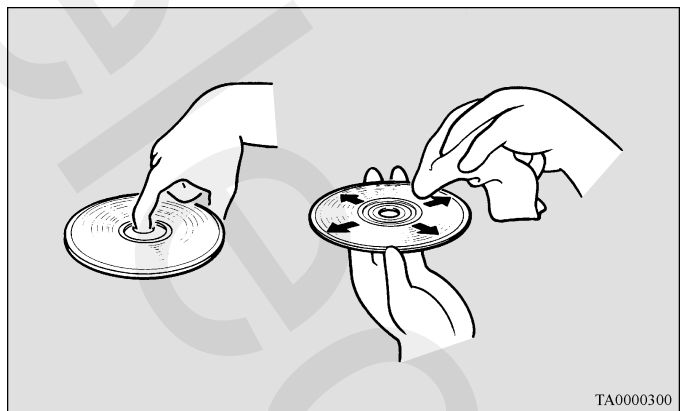
Comfort controls

- In the following circumstances, moisture can form on compact discs and inside the audio system, preventing normal operation.
 - When there is high humidity (for example, when it is raining).
 - When the temperature suddenly rises, such as right after the heater is turned on in cold weather.

In this case, wait until the moisture has had time to dry out.

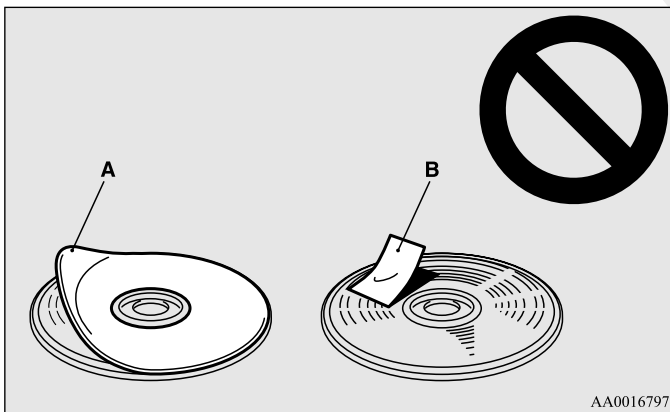
- When the CD player is subjected to violent vibrations, such as during off-road driving, the tracking may not work.
- When storing compact discs, always store them in their separate cases. Never place compact discs in direct sunlight, or in any place where the temperature or humidity is high.
- Never touch the flat surface of the disc where there isn't a label. This will damage the disc surface and could affect the sound quality. When handling a compact disc, always hold it by the outer edge and the center hole.

- To clean a disc, use a soft, clean, dry cloth. Wipe directly from the center hole toward the outer edge. Do not wipe in a circle. Never use any chemicals such as benzine, paint thinner, a disc spray cleaner, or an anti-static agent on the disc.



- Do not use a ball point pen, felt pen, pencil, etc. to write on the label surface of the disc.

- Do not put additional labels (A) or stickers (B) on compact discs. Also, do not use any compact disc on which a label or sticker has started to peel off or any compact disc that has stickiness or other contamination left by a peeled-off label or sticker. If you use such a compact disc, the CD player may stop working properly and you may not be able to eject the compact disc.



Comfort controls

Notes on CD-Rs/RWs

N00751900066

- You may have trouble playing back some CD-R/RW discs recorded on CD recorders (CD-R/RW drives), either due to their recording characteristics or dirt, fingerprints, scratches, etc. on the disc surface.
- CD-R/RW discs are less resistant to high temperatures and high humidity than ordinary music CDs and can therefore be damaged and rendered unplayable if left inside your vehicle for a long time.
- Depending on the combination of the writing software, the CD recorder (CD-R/RW drive), and the disc used to create a CD-R/RW, the disc might not play successfully.
- This player cannot play the CD-R/RW discs if the session is not closed.
- This player cannot play CD-R/RW discs which contain data other than CD-DA or MP3 data (Video CD, etc.).
- Be sure to observe the handling instructions for the CD-R/RW disc.

▲ WARNING

- Operating the CD player in a manner other than specifically instructed herein may result in hazardous radiation exposure. Do not remove the cover and attempt to repair the CD player by yourself. There are no user serviceable parts inside. In case of malfunction, contact an authorized Mitsubishi Motors dealer or a repair facility of your choice.

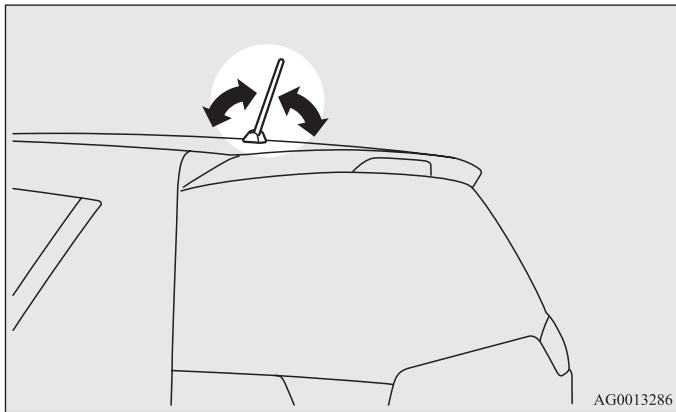
Comfort controls

Antenna

N00734200400

Roof antenna (except for vehicles with SIRIUS satellite radio)

When listening to the radio, fold the antenna toward the rear of the vehicle until you hear it click.

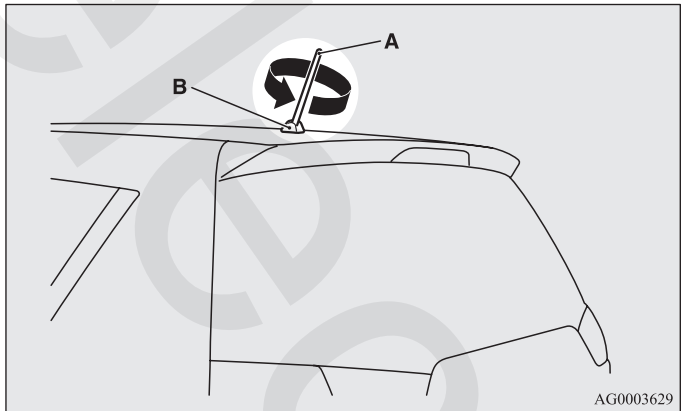


To remove

Turn the pole (A) counterclockwise.

To install

Screw the pole (A) clockwise into the base (B) until it is securely retained.



NOTE

- Be sure to remove the roof antenna in the following cases:
 - When using an automatic car wash
 - When covering your vehicle with a car cover
- Before driving into a structure that has a low ceiling, fold down the antenna toward the front of the vehicle to prevent it from hitting the ceiling.

Roof antenna (for vehicles with SIRIUS satellite radio)

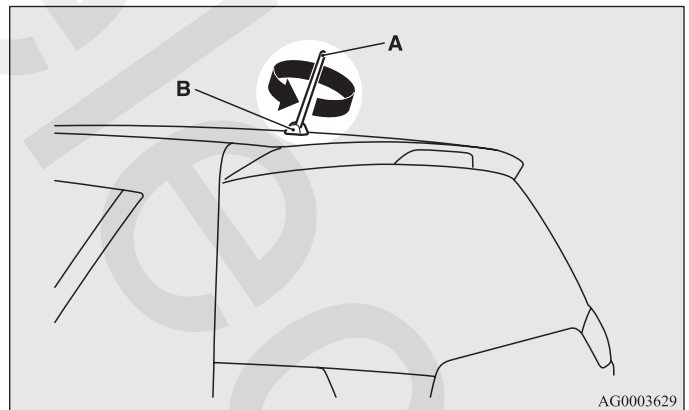
For securing the best satellite reception, the angle of the antenna is fixed.

To remove

Turn the pole (A) counterclockwise.

To install

Screw the pole (A) clockwise into the base (B) until it is securely retained.



NOTE

- Be sure to remove the roof antenna in the following cases:
 - When entering a place with low clearance
 - When using an automatic car wash
 - When covering your vehicle with a car cover

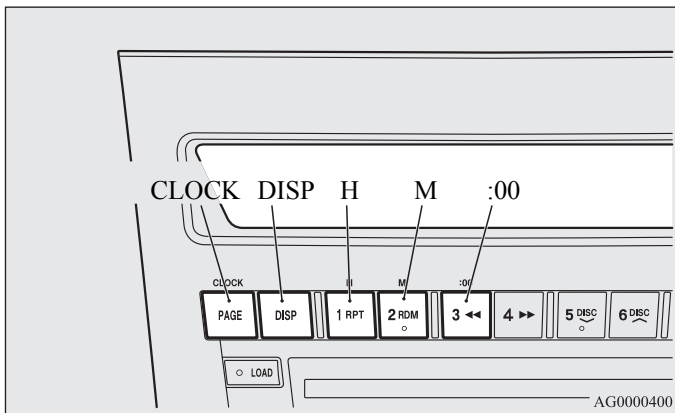
Comfort controls

Clock (if so equipped)

N00755000078

The time is displayed when the ignition switch is in the “ON” or “ACC” position.

To set the time



1. Press and hold the CLOCK button and the clock display flashes.
2. Press the various buttons to adjust.

- H — “Hour” setting
Press this button to fast-forward the “hours”.
- M — “Minutes” setting
Press this button to fast-forward the “minutes”.

- :00 — Time signal setting
At the same time the button is pressed, the following modifications are made.
10:00 - 10:29Change to 10:00
10:30 - 11:00Change to 11:00

3. When the time is set, press the DISP button to stop the clock display from flashing. After time signal setting, however, the clock display automatically stops flashing.

NOTE

- Reset the time after the battery terminals are disconnected and reconnected.
- Seconds do not appear in the clock display, but after adjusting the “Minutes” setting and time signal setting, the clock begins to operate from 0 seconds.

General information about your radio

N00733900413

Your vehicle's radio receives both AM and FM stations. The quality of your reception is affected by distance, obstacles, and signal interference.

This radio complies with Part 15 of Federal Communications Commission (FCC) Rules (for vehicles sold in U.S.A.). Operation is subject to the following conditions:

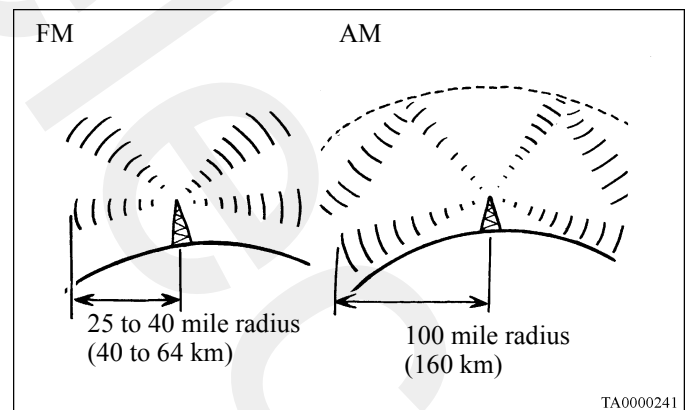
- The device may not cause harmful interference.
- This device must accept any interference received, including interference that may cause undesirable operation.

CAUTION

- Changes or modifications not expressly approved by the party meeting the above conditions could void the user's authority to operate the equipment.

Signal transmission

FM signals do not follow the earth surface nor are they reflected by the upper atmosphere. For this reason, FM broadcasts cannot be received over long distances. AM signals follow the earth's surface and are reflected by the upper atmosphere. For this reason, AM broadcasts can be received over longer distances.



Weak reception (fading)

Because of the limited range of FM signals and the way FM waves transmit, you may experience weak or fading FM reception. When the broadcast is blocked by mountains or similar obstructions, reception can be disturbed.

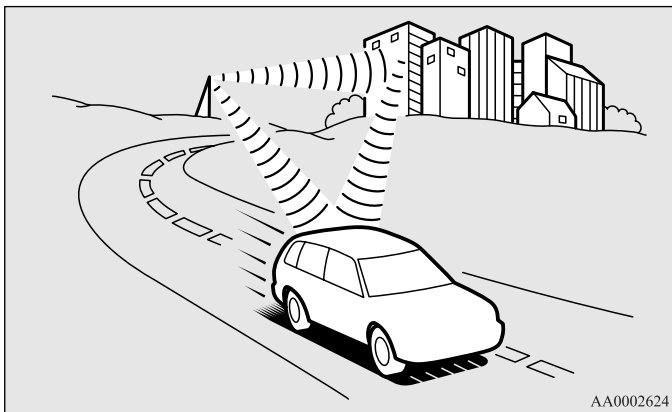
Comfort controls

Reflection

The reason why one can hear FM but not AM in parking garages, under bridges etc., is that FM signals, unlike AM signals, are reflected by solid objects such as buildings, etc. Because FM signals are easily reflected by buildings, this can also cause reception disturbances.

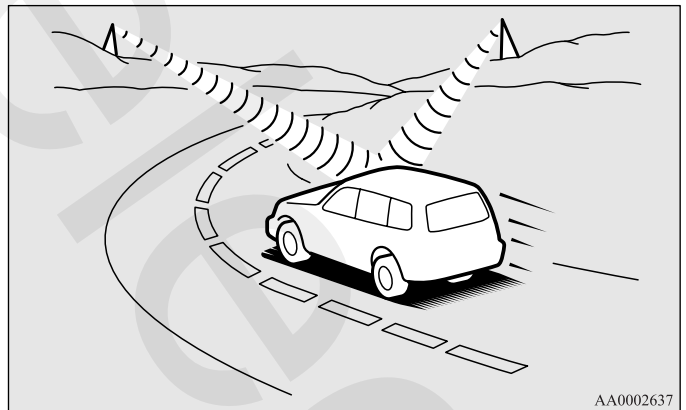
The direct signal from the broadcast station reaches the antenna slightly before the reflected signal. This time difference may cause some reception disturbance or flutter.

This problem occurs primarily in urban areas.



Cross modulation

If one listens to a weak station and is in the vicinity of another strong station, both stations might be received simultaneously.



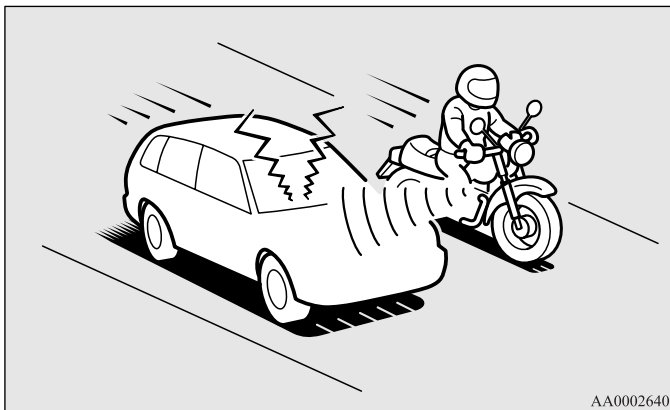
FM stereo reception

Stereo reception requires a high quality broadcast signal. This means that types of disturbances mentioned previously become more marked and the reception range is somewhat diminished during stereo reception.

Causes of disturbances

FM reception is affected by the electrical systems of vehicles in the vicinity, especially those without an electronic noise suppression device. The disturbance is even greater if the station is weak or poorly tuned.

FM reception is not as sensitive to electrical disturbances as AM. AM reception is sensitive to electrical disturbances such as power lines, lightning and other types of similar electrical phenomena.



For emergencies

If the vehicle breaks down	6- 2
Jump-starting the engine	6- 2
Engine overheating	6- 5
Jack and tools	6- 7
How to change a tire	6- 10
Towing	6- 25
Operation under adverse driving conditions	6- 27

For emergencies

If the vehicle breaks down

N00836300158

If your vehicle breaks down on the road, move to the shoulder and turn on the hazard warning flashers. If there is no shoulder, or the shoulder is not safe, drive in the right lane slowly, with the hazard lights flashing, until you come to a safe stopping place. Keep the flashers flashing.

If the engine stops/fails

If the engine stops, there will be no power assist to the steering and brakes, making these difficult to use.

- The brake booster will not work, so the brakes will not grip well. The brake pedal will be harder to press than usual.
- Since there is no power steering assist, the steering wheel will be hard to turn.

When the engine fails at the intersection

Get help from your passengers, bystanders, etc. to push the vehicle and move it to a safe zone.

Jump-starting the engine

N00836400524

If the engine cannot be started because the battery is weak or dead, you can start it with the battery from another vehicle using jumper cables.

⚠ WARNING

- When using jumper cables to start a vehicle, follow the procedures and be very cautious.

⚠ CAUTION

- Do not try to start your vehicle by pushing or towing. Vehicles with automatic transaxles cannot be started this way. Also, there is more risk of an accident when a vehicle is being pushed or towed.

1. Take off any metal jewelry such as watch bands or bracelets that might make an accidental electrical contact.
2. Position the vehicles close enough together so that the jumper cables can reach, but be sure the vehicles aren't touching each other.

⚠ CAUTION

- Check the other vehicle. It must have a 12-volt battery. If the other system isn't 12-volt, both systems can be damaged.

3. You could be injured if the vehicles move. Set the parking brake firmly on each vehicle. Put an automatic transaxle or CVT in “P” (PARK) or a manual transaxle in “N” (Neutral). Turn the ignition switch to the “LOCK” position.

For emergencies

5. Connect one end of one jumper cable to the positive (+) terminal of the discharged battery (A), and the other end to the positive (+) terminal of the booster battery (B).

⚠ WARNING

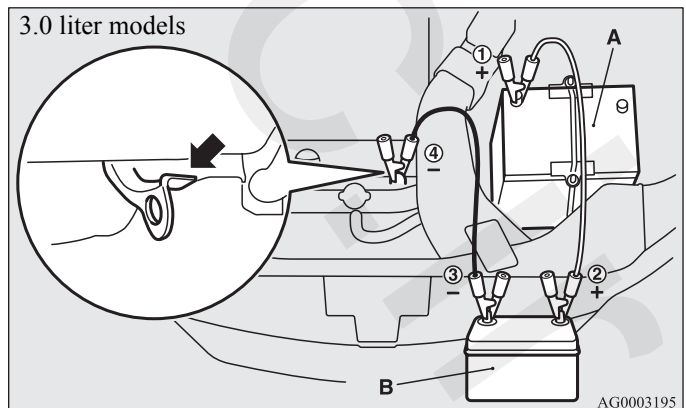
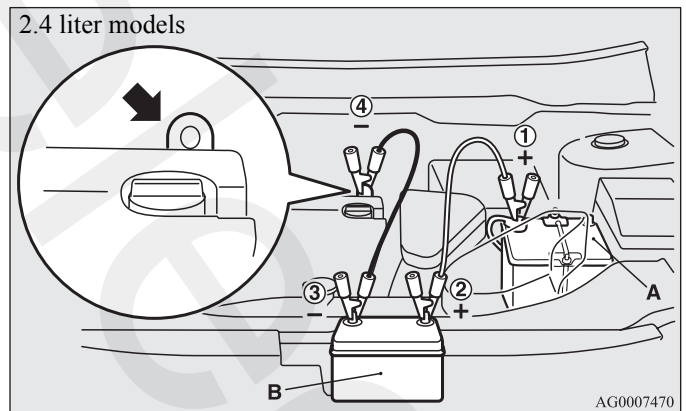
- Turn the ignition switch to the “LOCK” position on both vehicles. Make sure that the cables or your clothes cannot be caught by the fan or drive belt. Personal injury could result.

NOTE

- Turn off all lights, heater, and other electrical loads. This will avoid sparks and help save both batteries.
4. Make sure your battery electrolyte is at the proper level. (Refer to “Battery” on page 7-21.)

⚠ WARNING

- If the electrolyte fluid is not visible, or looks frozen, DO NOT ATTEMPT JUMP STARTING!! The battery might split open or explode if the temperature is below the freezing point or if it is not filled to the proper level.



For emergencies**NOTE**

- Open the terminal cover before connecting the jumper cable to the positive terminal of the battery. (Refer to “Battery” on page 7-21.)
- Use the proper cables suitable for the battery size. Otherwise heat damage to the cables could result.
- Check the jumper cables for damage and corrosion before use.
- 6. Connect one end of the other jumper cable to the negative (-) terminal of the booster battery (B), and the other end to the engine block of the vehicle with the low battery (A) at the point farthest from the battery.

⚠ WARNING

- Be sure to follow the proper order when connecting the batteries, of: ①→②→③→④
- Make sure that the connection ④ is made to the engine properly. If the connection is directly made to the negative terminal of the battery, the flammable gases from inside the battery might catch fire and explode, causing personal injury.
- When connecting the jumper cable, do not connect the positive (+) cable to the negative (-) terminal. Otherwise sparks can make the battery explode.

⚠ CAUTION

- Make sure that the jumper cable will not be caught in the cooling fan or other moving parts in the engine compartment.

- 7. Start the engine in the vehicle providing the boost. Let the engine idle a few minutes, then start the engine in the vehicle with the low battery.
- 8. After the engine is started, disconnect the cables in the reverse order from the way you connected them.

⚠ WARNING

- Charging your battery while it is still in your vehicle might cause the battery to catch fire and explode. If you have to charge it while in the vehicle, disconnect the negative (-) terminal.
- Keep sparks, cigarettes, and flames away from the battery because the battery could explode.
- Keep your work area well vented when charging or using the battery in an enclosed space.
- Remove all the caps before charging the battery.
- Electrolyte (battery acid) is made of corrosive diluted sulfuric acid. If electrolyte comes in contact with your hands, eyes, clothes, or the painted surface of your vehicle, thoroughly flush with water. If electrolyte gets in your eyes, flush them immediately and thoroughly with water, and get prompt medical attention.
- Always wear protective clothing and goggles when working near the battery.
- Keep the battery out of the reach of children.


As your vehicle has anti-lock brakes

If you drive your vehicle with a low battery charge after the engine has been started by using jumper cables, the engine may misfire. This can cause the anti-lock braking system warning light to blink on and off. This is only due to the low battery voltage. It is not a problem with the brake system. If this happens, fully charge the battery and ensure the charging system is operating properly.

For emergencies

Engine overheating

N00836500349

When the engine is overheating, the information screen in the multi-information display will be interrupted and the engine coolant temperature warning display will appear. Also “” will blink. If so happens:

1. Stop the vehicle in a safe place. Turn on the hazard warning flashers.
2. With the engine still running, carefully raise the engine hood to vent the engine compartment.
3. Check that the cooling fan is running. If the fan is not turning, stop the engine immediately and contact an authorized Mitsubishi Motors dealer or a repair facility of your choice for assistance.

▲ WARNING

- To avoid personal injury, keep hands, hair, jewelry and clothes away from the cooling fan. The cooling fan can start at any time.

4. If you see steam or spray coming from under the hood, turn off the engine.

For emergencies

5. If you do not see steam or spray coming from under the hood, leave the engine on until the bar graph for the engine coolant temperature warning display on the multi-information display goes down. When it is in the middle of the normal zone, you can start driving again. If the bar graph stays in the red zone, turn off the engine.

⚠ WARNING

- Before raising the engine hood, check to see if there is steam or spray coming from under the hood. Steam or spray coming from an overheated engine could seriously scald you. Do not open the hood until there is no steam or spray.

6. When you do not see any more steam or spray, open the hood. Look for obvious leaks, such as a split radiator hose. Be careful as components will be hot. Any leak source must be repaired.
7. If there is no obvious leak source, check the coolant level in the engine coolant reserve tank. If there is none, or if it is too low, slowly add coolant.

8. If the engine coolant reserve tank needs coolant, you will probably also need to add coolant to the radiator. Do not loosen or remove the radiator cap until the engine has cooled down.

⚠ WARNING

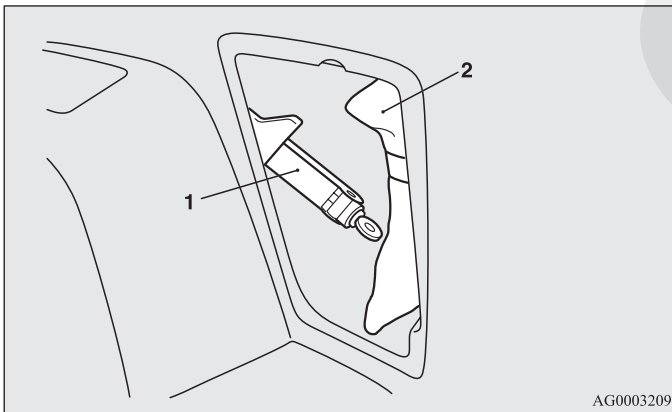
- Removing the radiator cap could scald you with escaping hot water or steam. When checking the radiator level, cover the cap with a cloth before trying to remove it. Turn it slowly counterclockwise, without pressing down, to the first notch. The pressure in the system will then be let out. When the pressure is **COMPLETELY LET OUT**, press down and keep turning the cap counterclockwise until it comes off.

9. Start the engine, and slowly add coolant, up to the bottom of the filler neck. Use plain water if you have to (and replace it with the right coolant as soon as possible).
10. Replace the radiator cap and tighten it fully. Check the engine coolant temperature display on the multi-information display. You can start driving again when the bar graph for the engine coolant temperature display returns to the normal zone.
11. Have the system inspected by your authorized Mitsubishi Motors dealer or a repair facility of your choice.

Jack and tools

N00836600340

Storage

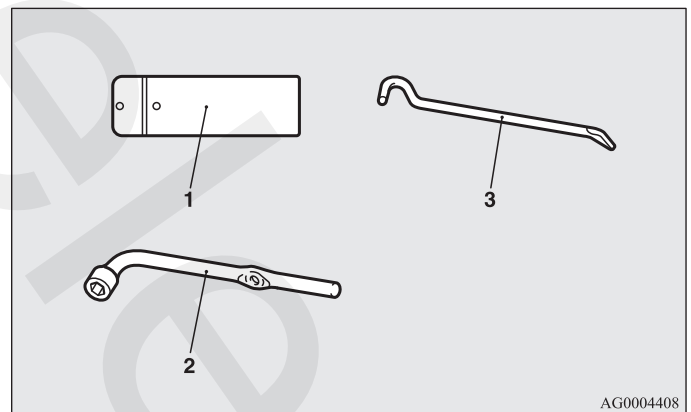


- 1- Jack
- 2- Tools

The jack and tools are stowed on the right side of the luggage compartment.

For emergencies

Tools



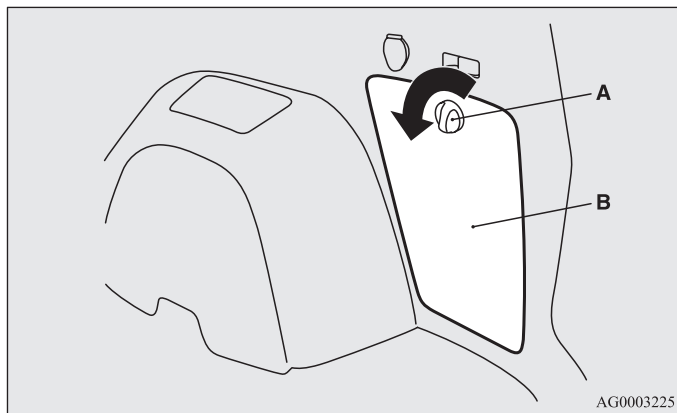
- 1- Tool case
- 2- Wheel nut wrench
- 3- Bar

For emergencies

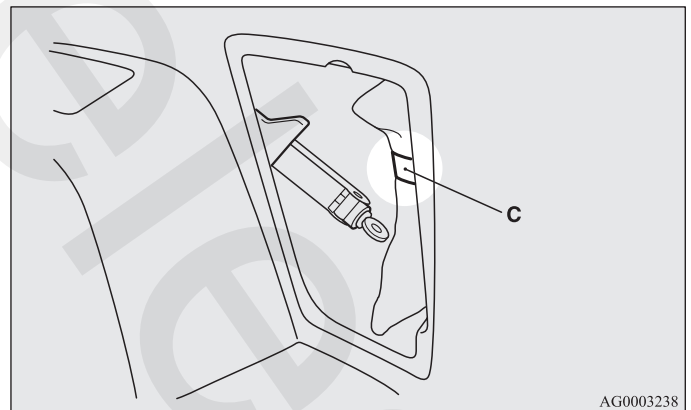
Removing and storing the jack and tools

To remove

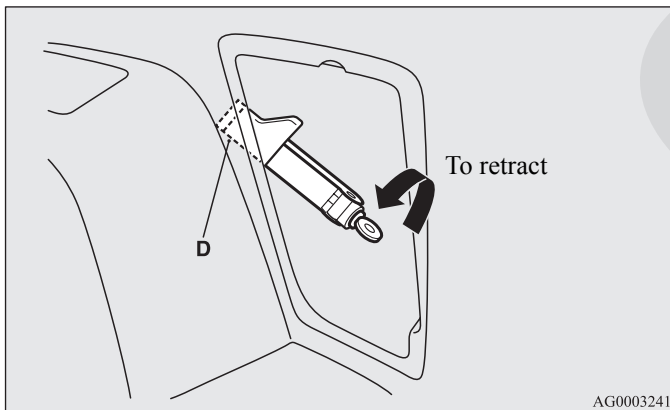
1. Turn the knob (A) counterclockwise and remove the lid (B).



2. Undo the securing band (C) around the tools and remove the tools.

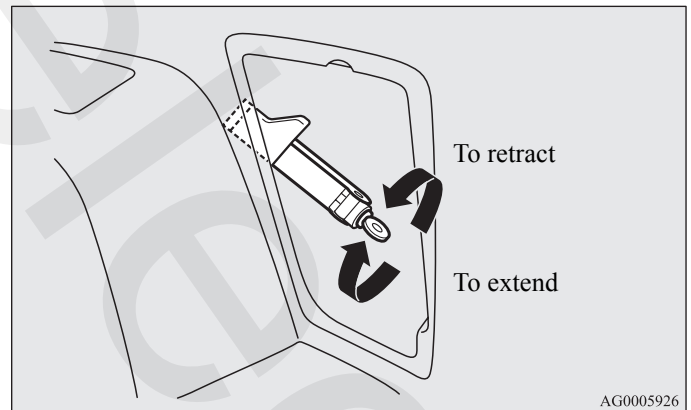


3. Retract the jack to remove it from the attaching hardware (D).



To store

1. Retract the jack, then return it to its original position.
2. Extend the jack and firmly set it in its storage area.



3. Place the tools back in the tool case, return the case to its original position and firmly fix it in place with the securing band.
4. Attach the lid and tighten the knob by turning it clockwise.

For emergencies

For emergencies

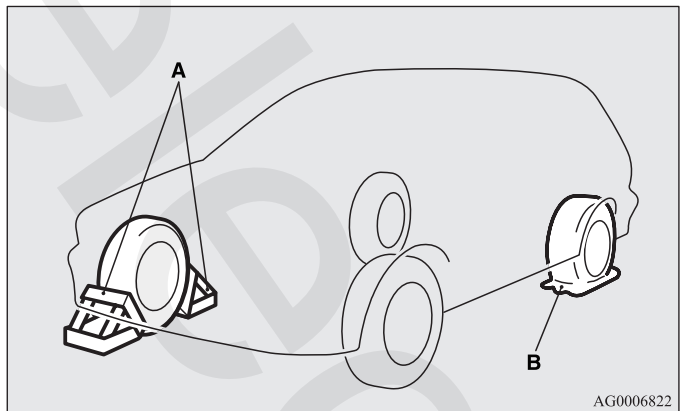
How to change a tire

N00836900747

Before changing a tire, first stop your vehicle in a safe, flat location.

1. Park the vehicle on level and stable ground.
2. Be sure that the parking brake is firmly set and that the selector lever is in the "P" (PARK) position.
3. Turn on the hazard flashers and turn the ignition switch to the "LOCK" position.
4. Set up a warning triangle, flashing signal light, etc., at an adequate distance from the vehicle, and have all your passengers leave the vehicle.

5. To prevent the vehicle from rolling when it is raised on the jack, place chocks or blocks (A) in front of and behind the tire that is diagonally opposite from the tire (B) you are changing.



For emergencies

N00849600315

⚠ WARNING

- Be sure to apply chocks or blocks to the correct tire when jacking up the vehicle. If the vehicle moves while jacked up, the jack could slip out of position, leading to an accident.

NOTE

- The chocks shown in the illustration do not come with your vehicle. It is recommended that you purchase chocks or blocks and keep them in the vehicle for use if needed.
 - If chocks or blocks are not available, use stones or any other objects that are large enough to hold the wheel in position.
6. Get the jack, bar and wheel nut wrench ready.
(Refer to “Jack and tools” on page 6-7.)

Spare tire information

Compact spare tire

The compact spare tire is stowed below the luggage compartment floor. It is designed to save space in the luggage compartment. Its lighter weight makes it easier to use if a flat tire occurs.

⚠ WARNING

- Tires, including spare tire, degrade over time with age even when they are not being used. It is recommended that tires over 6 years generally be replaced even if damage is not obvious.

⚠ CAUTION

- While the compact spare tire is stowed, the inflation pressure should be checked at least once a month to assure that it remains at the recommended inflation pressure. See the tire and loading information placard attached to the driver’s door sill. Refer to “Tire and loading information placard” on page 9-4.
- Driving with an improperly inflated tire can cause an accident. If you have no choice but to drive with an under-inflated tire, keep your speed down and avoid sudden steering or braking, if possible. Inflate the tire to the correct pressure as soon as possible. Refer to “Tire inflation pressures” on page 7-27.

For emergencies

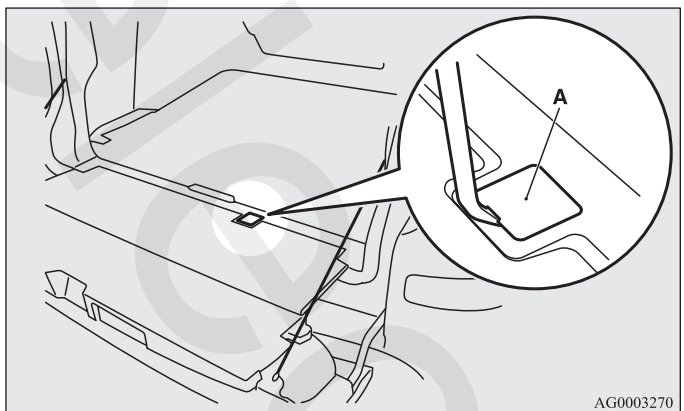
⚠ CAUTION

- The compact spare tire should be used only temporarily. While the compact spare tire is being used, the tire pressure monitoring system will not function properly. Have the tire replaced or repaired at an authorized Mitsubishi Motors dealer or a repair facility of your choice as soon as possible.
- Do not go over 50 mph (80 km/h) when driving with the compact spare tire.
- Avoid sudden starting and braking when driving with the compact spare tire.
- Do not drive through automatic car washes and over obstacles that could possibly damage the underside of your vehicle. Because the compact spare tire is smaller than the original tire, there is less clearance between the ground and your vehicle.
- Because the compact spare tire is designed only for your vehicle, do not use it on any other vehicle.
- Do not put the compact spare tire on a different wheel, and do not put standard tires, snow tires, wheel covers or trim rings on the compact spare wheel. Otherwise, you could damage these parts or other parts on your vehicle.
- Do not use tire chains with your compact spare tire. Using a chain could cause damage to your vehicle and loss of the chains.

To remove the spare tire

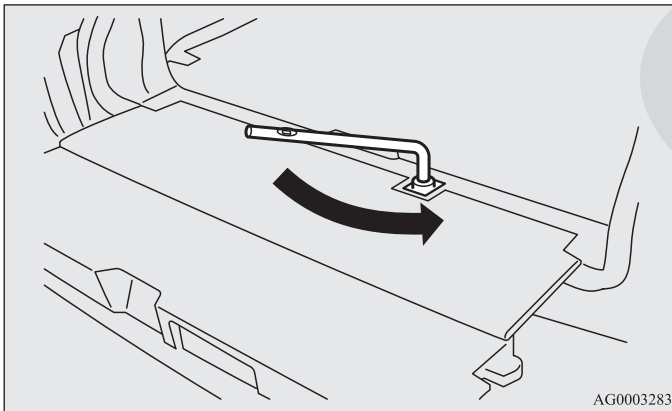
N00849700260

1. Open the tailgate and use the bar to remove the cover (A) over the tire hanger mounting bolt.
Refer to “Flap-fold tailgate: To open” on page 3-61.



AG0003270

2. With the wheel nut wrench, loosen the tire hanger mounting bolt by turning it counterclockwise.



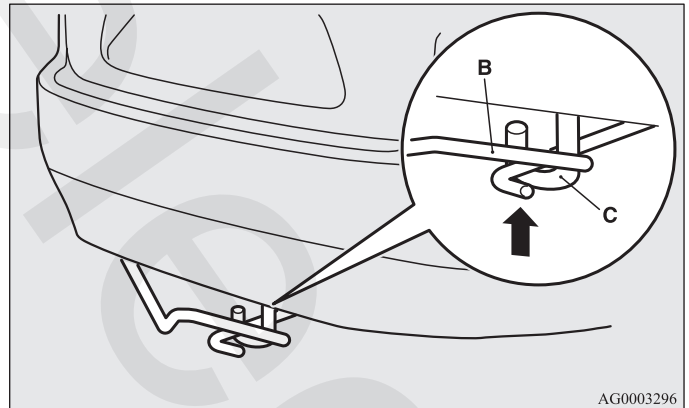
⚠ CAUTION

- While checking the tire hanger, carefully loosen the tire hanger mounting bolt. Loosening it too much could pull out the hook and cause the compact spare tire to drop.

3. Raise the lower gate until it clicks and locks.
Refer to “Flap-fold tailgate: To close” on page 3-61.

For emergencies

4. Lift up the section of the tire hanger (B) that is marked with the arrow in the illustration and remove it from the hook (C). Then lower it and remove the tire.



⚠ CAUTION

- When hooking or unhooking the tire hanger, be sure to hold the tire hanger firmly to prevent it from dropping on your foot.

For emergencies

To install

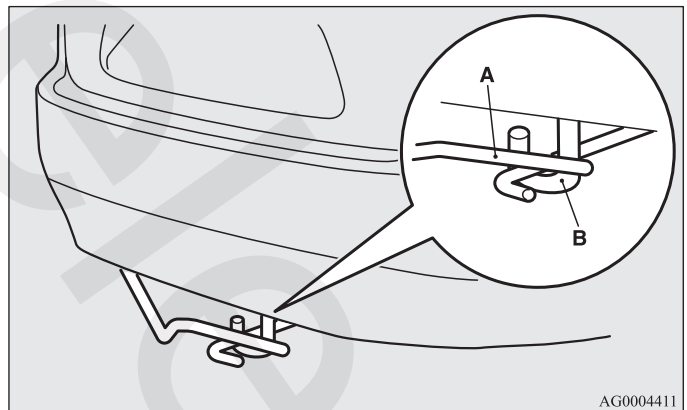
1. Place the tire on the center of the tire hanger, with the wheel surface facing upwards.

N00860500027

⚠ CAUTION

- Storing the tire with the wheel surface facing down may damage the wheel or tire hanger. If you find any damage on a spare tire, do not use the tire and contact an authorized Mitsubishi Motors dealer or a repair facility of your choice.

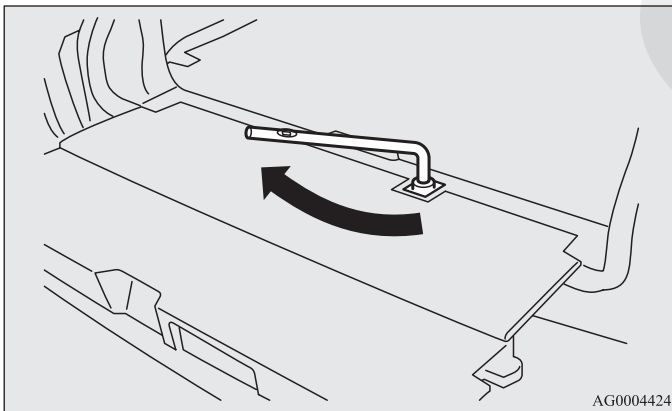
2. Lift up the tire hanger (A) and hook it on the hook (B).



⚠ CAUTION

- Make sure you hook the tire hanger in the proper position. If the tire hanger is not hooked properly, the hook could damage the vehicle body or the tire could fall off the vehicle while driving, causing an accident.

3. Open the lower gate.
Refer to “Flap-fold tailgate: To open” on page 3-61.
4. With the wheel nut wrench, firmly tighten the tire hanger mounting bolt by turning it clockwise.



⚠ CAUTION

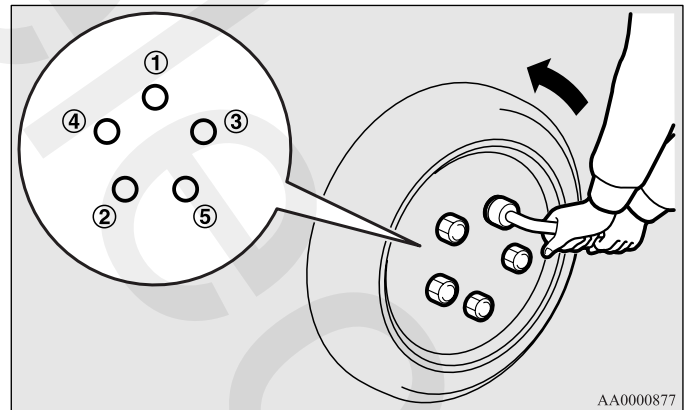
- Confirm that the tire hanger is firmly secured after storing the spare tire. If the tire hanger is not secured, it could drop out while driving, causing an accident.
- When hooking or unhooking the tire hanger, be sure to hold the tire hanger firmly to prevent it from dropping on your foot.

5. Install the cover over the tire hanger mounting bolt.

To change a tire

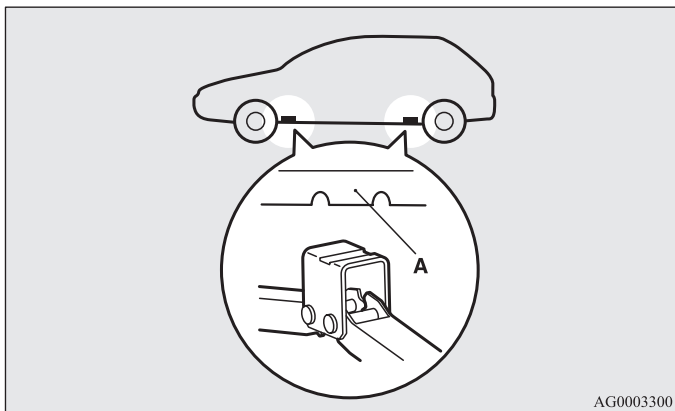
N00849800418

1. On vehicles with wheel covers, first remove the covers (refer to “Wheel covers” on page 6-23). Then, loosen the wheel nuts with the wheel nut wrench. Do not remove the wheel nuts yet.



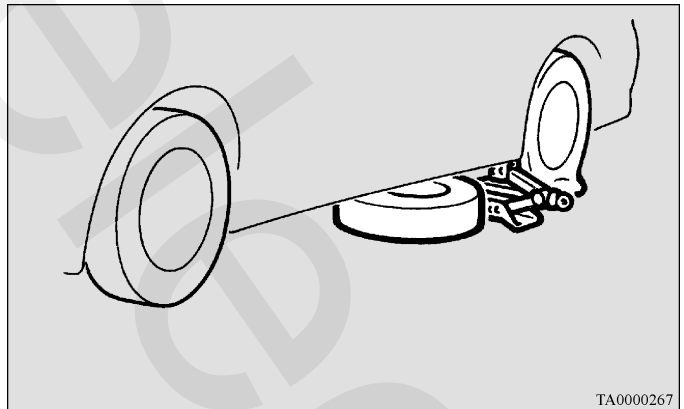
For emergencies

2. Place the jack under one of the jacking points (A) shown in the illustration. Use the jacking point closest to the tire you wish to change.



NOTE

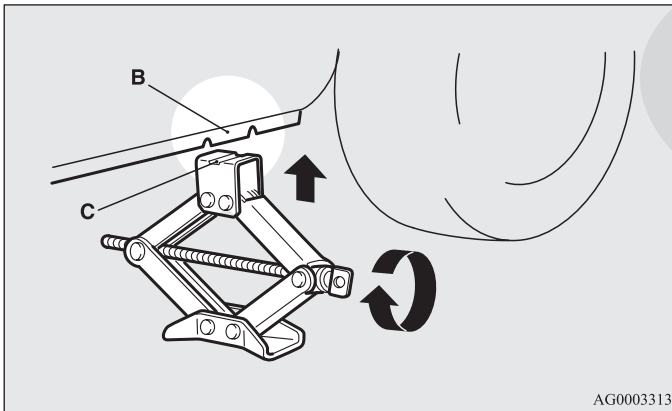
- Put the spare wheel under the vehicle body near the jack. This makes it safer if the jack slips out of position.



⚠ WARNING

- Set the jack only at the positions shown here. If the jack is set at a wrong position, it could dent your vehicle or the jack might fall over and cause personal injury.
- Do not use the jack on a tilted or soft surface. Otherwise, the jack might slip and cause personal injury. Always use the jack on a flat, hard surface. Before setting the jack, make sure there are no sand or pebbles under the jack base.

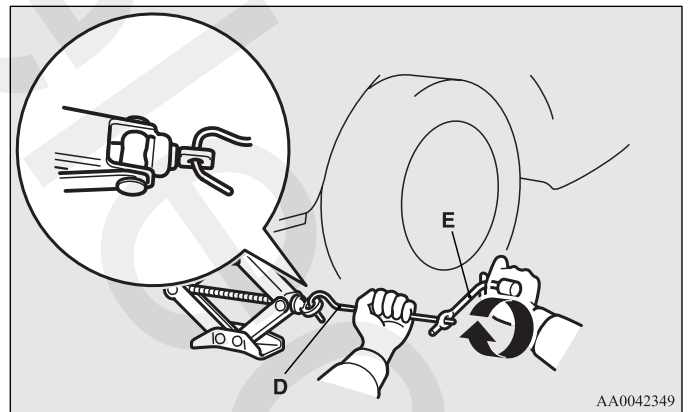
3. Rotate the jack by hand until the flange portion (B) fits in the groove (C) at the top of the jack.



For emergencies

4. Insert the bar (D) into the wheel nut wrench (E). Then put the end of the bar into the shaft's jack end, as shown in the illustration.

Slowly rotate the wheel nut wrench until the tire is raised slightly off the ground surface.



⚠ WARNING

- Stop jacking up the vehicle as soon as the tire is raised off the ground. It is dangerous to raise the vehicle any higher.
- Do not get under your vehicle while using the jack.
- Do not bump the raised vehicle or leave it sitting on the jack for a long time. Both are very dangerous.
- Do not use a jack except the one that came with your vehicle.
- The jack should not be used for any purpose other than to change a tire.

For emergencies

⚠ WARNING

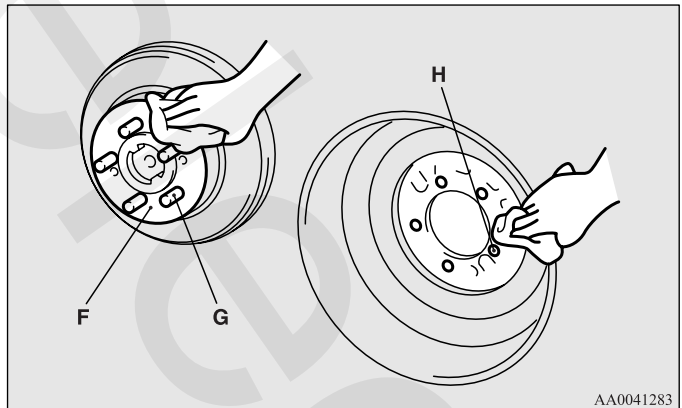
- No one should be in your vehicle when using the jack.
- Do not start or run the engine while your vehicle is on the jack.
- Do not turn the raised wheel. The tires that are still on the ground could turn and make your vehicle fall off the jack.

5. Remove the wheel nuts with the wheel nut wrench, then take the wheel off.

⚠ CAUTION

- Handle the wheel carefully when changing the tire, to avoid scratching the wheel surface.

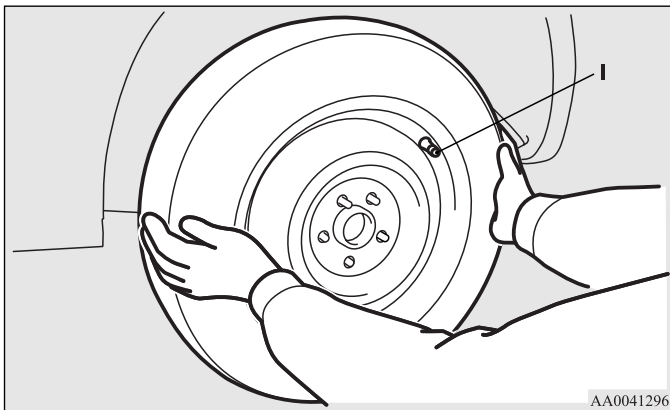
6. Clean out any mud, etc. on the hub surface (F), hub bolts (G) or in the installation holes (H) in the wheel, and then mount the spare tire.



For emergencies

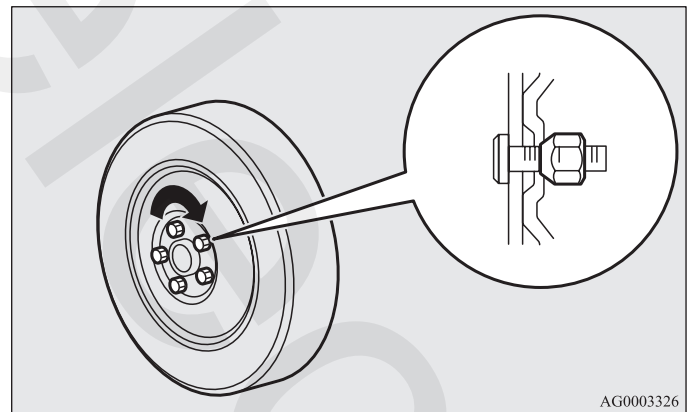
⚠ WARNING

- **Mount the spare wheel with the valve stem (I) facing outward. If you cannot see the valve stem (I), you have installed the wheel backwards. Operating the vehicle with the spare wheel installed backwards can cause vehicle damage and result in an accident.**



7. [Vehicle with steel wheels]

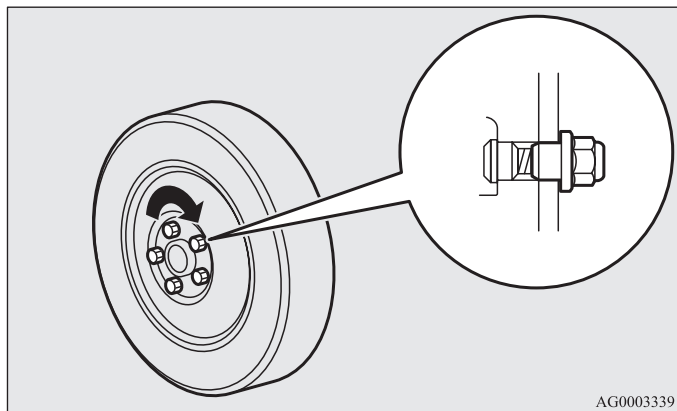
- Normal wheels and compact spare wheel
Install the wheel nuts (tapered nuts) with their tapered ends facing inward, then tighten by hand until the wheel is no longer loose.



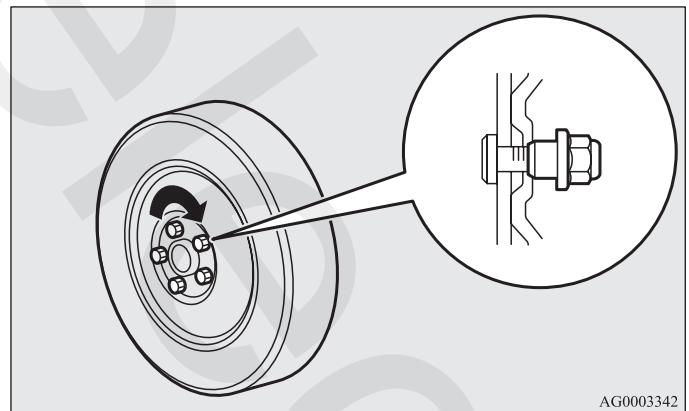
For emergencies

[Vehicle with aluminum wheels]

- Normal wheels
Temporarily tighten the wheel nuts (flange nuts) until their flange section comes in contact with the wheel and it is no longer loose.



- Compact spare wheel
Install the wheel nuts with their tapered ends facing inward, then tighten by hand until the wheel is no longer loose.



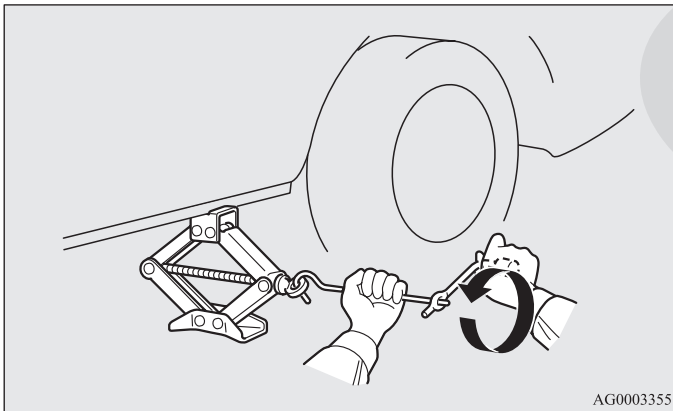
CAUTION

- Never apply oil to either the wheel bolts or the nuts or they will tighten too much.

NOTE

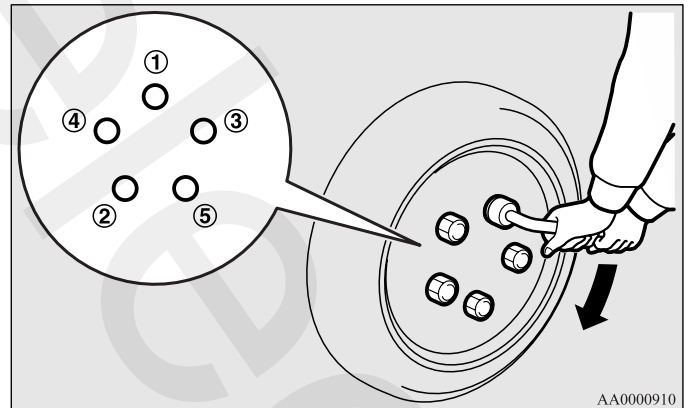
- Flange nuts can be temporarily used on the compact spare or steel wheel, but return them to the original wheel and tire as soon as possible.
- If all 4 wheels are changed to steel wheels, use tapered nuts.

8. Lower the vehicle slowly until the tire touches the ground, by rotating the wheel nut wrench counterclockwise.



For emergencies

9. Tighten the nuts in the order shown in the illustration until each nut has been tightened to the torque listed here.
65 to 80 ft-lb (88 to 108 N•m)



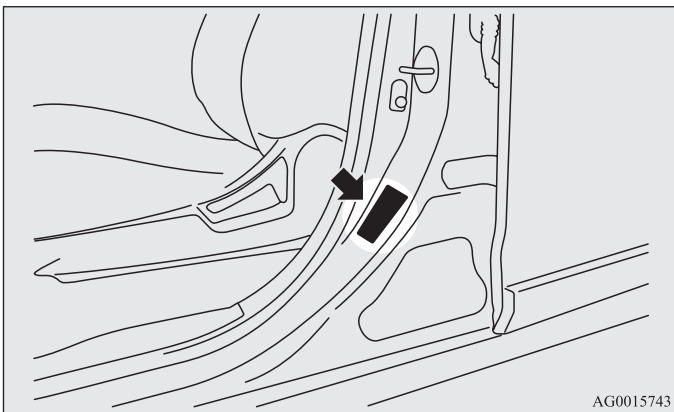
⚠ CAUTION

- Never use your foot or a pipe extension to apply added force to the wheel nut wrench when tightening the wheel nuts. If you do so, you can over-tighten the wheel nuts and damage the wheel, wheel nuts and hub bolts.

10. Lower the jack all the way and remove it.

For emergencies

11. Check the tire inflation pressure. The recommended tire pressure for your vehicle is listed on the tire and loading information placard attached to the driver's door sill as shown in the illustration. Refer to "Tire inflation pressures" on page 7-27.



⚠ CAUTION

- Driving with an improperly inflated tire can cause an accident. If you have no choice but to drive with an under-inflated tire, keep your speed down and avoid sudden steering or braking, if possible. Inflate the tire to the correct pressure as soon as possible. Refer to "Tire inflation pressures" on page 7-27.
- After changing the tire and driving the vehicle about 620 miles (1,000 km), retighten the wheel nuts to make sure that they have not come loose.
- If the steering wheel vibrates when driving after changing the tire, have the tire checked for balance at an authorized Mitsubishi Motors dealer or a repair facility of your choice.
- Do not mix one type of tire with another or use a different size from the one listed. This would cause early wear and poor handling.

To store the flat tire or spare tire, jack, bar and wheel nut wrench

N0085000090

Store the flat tire in the luggage compartment. Reverse the removing procedure when storing the spare tire, jack, bar and wheel nut wrench.

Refer to "Spare tire information: To install" on page 6-14 and "Jack and tools" on page 6-7.

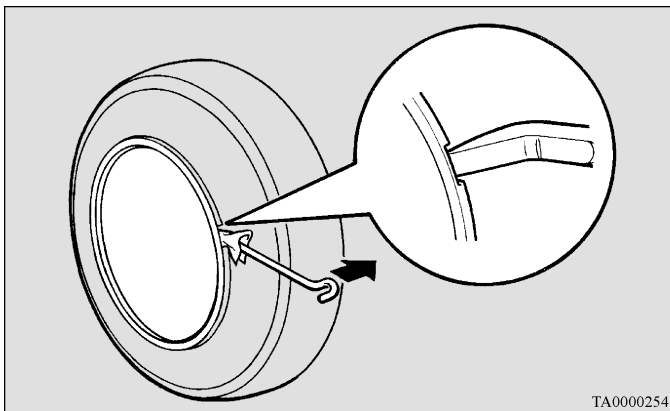
For emergencies

Wheel cover (if so equipped)

To remove

Wrap the tip of the bar with a cloth, insert it deeply into the notch provided in the wheel cover, and pry the cover away from the wheel.

Using the same procedure at the other wheel cover notches, work the wheel cover away from the wheel to remove it completely.



NOTE

- The wheel cover is made of plastic. Be careful when prying it off.

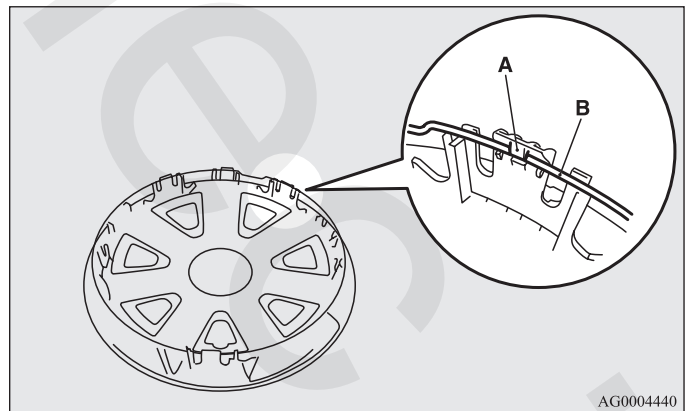
CAUTION

- Trying to remove the wheel cover with only your bare hands can seriously injure your fingers.

To install

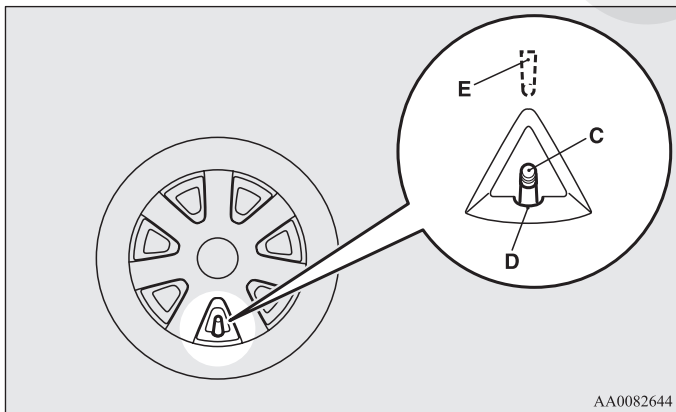
CAUTION

- Before installing the wheel cover to the wheel, make sure that the tabs (A) on the back of the wheel cover correctly engage the ring (B) to prevent the wheel cover from coming off. Do not install a wheel cover that has broken tabs.



For emergencies

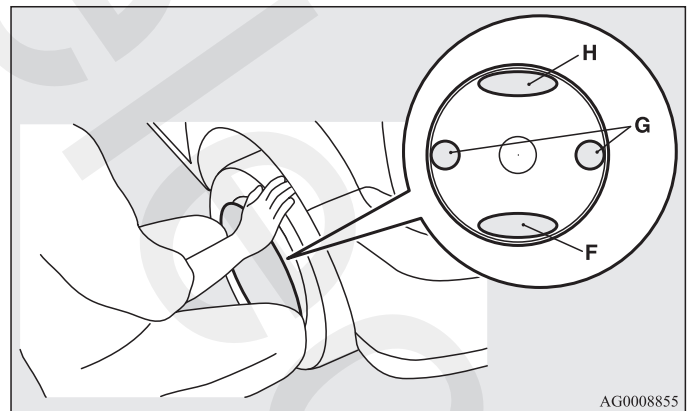
1. Align the tire air valve (C) and the wheel cover notch (D).



NOTE

- The back of the cover has a symbol (E) that shows the position of the notch.

2. Push the bottom (F) of the wheel cover into the wheel.
3. Gently push in both sides (G) of the wheel cover and hold them in place with both knees.
4. Gently tap the top (H) of the wheel cover around its outer circumference to push it in.



Towing

N00837000846

If your vehicle needs to be towed

If towing is necessary, we recommend you to have it done by a commercial tow truck service.

When towing is required, transport the vehicle using a tow truck.

Incorrect towing equipment could damage your vehicle.

CAUTION

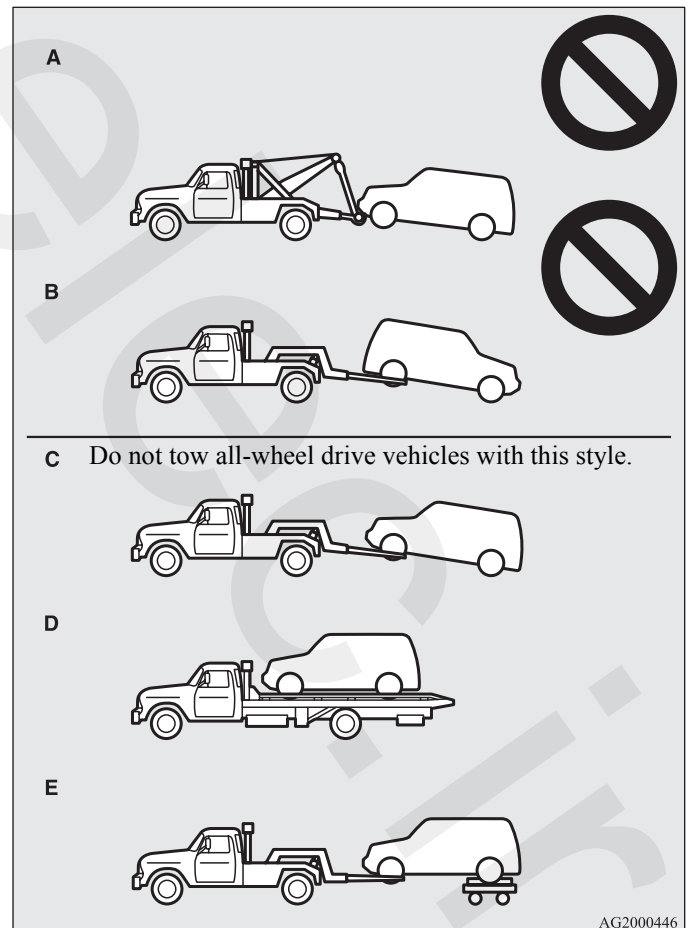
- Do not attempt to be towed by another vehicle with a rope.

NOTE

- Do not use the tie-down hooks for towing. These hooks are provided only for the purpose of transporting the vehicle itself.
- Your vehicle cannot tow any other vehicle.

There may be local regulations concerning towing in your area. Obey the regulations of the area where you are driving your vehicle.

For emergencies



For emergencies

Towing the vehicle by a tow truck

⚠ CAUTION

- This vehicle must not be towed by a tow truck using sling lift type equipment (Type A) as illustrated. Using a sling lift will damage the bumper and front end.
- This vehicle must not be towed with the driving wheels on the ground (Type B) as illustrated. This could result in the driving system damage.
- Do not tow all-wheel drive vehicles with the rear wheels on the ground (Type C) as illustrated. This could result in the driving system damage or vehicle may jump at the carriage.
If you tow all-wheel drive vehicles, use only Type D or E equipment.
All-wheel drive vehicles cannot be towed with only the front or rear tires on the ground even if it is in "2WD" or "TARMAC" drive mode.
- [For front-wheel drive vehicle equipped with the active stability control (ASC)]
If the vehicle is towed with the ignition switch in the "ON" position and only the front wheels raised off the ground (Type C), the ASC may operate, resulting in an accident. When towing the vehicle with the front wheels raised, keep the ignition switch in the "LOCK" or "ACC" position.

Towing a front-wheel drive vehicle with front wheels off the ground (Type C)

Release the parking brake.

Set the selector lever to the "N" (NEUTRAL) position.

For emergencies

Operation under adverse driving conditions

N00837200718

If your vehicle becomes stuck in sand, mud or snow

If your vehicle becomes stuck in snow, sand, or mud, it can often be moved by a rocking motion. Rock your vehicle back and forth to free it.

Do not rev the engine or spin the wheels. Constant efforts to free a stuck vehicle can cause overheating and transaxle failure. Let the engine idle for a few minutes to cool the transaxle before trying again.

If your vehicle is still stuck after several rocking attempts, call for help.

WARNING

- When trying to rock your vehicle out of a stuck position, make sure that there are no people nearby. The rocking motion can make your vehicle suddenly lurch forward or backward, and injure any bystanders.

On wet roads

CAUTION

- Avoid flooded roads. Water is often deeper than it looks, and you could be seriously hurt by driving into flood water.
- When driving in rain, on water-covered roads, or through a car wash, water could get into the brake discs and make them fail temporarily. In such cases, lightly press the brake pedal to see if they are working properly. If they are not, press the pedal lightly several times while driving to dry the brake pads or linings, then check them again.
- When driving in rain, a layer of water may form between the tires and the road surface (hydroplaning). This loosens your tires' grip on the road, making it difficult to steer or brake properly. When driving on a wet road:
 - Drive your vehicle at a safe speed.
 - Do not drive on worn tires.
 - Always keep the tires at the correct inflation pressures.

For emergencies

On snowy or icy roads

- When driving on a road covered with snow or ice, use snow tires. Tire chains cannot be used on your vehicle. There may be state or local regulations about using snow tires. Always check the regulations in your local area before using them. Refer to “Snow tires” on page 7-32 and “Tire chains” on page 7-32.
- Drive slowly. Do not make sudden starts or stops, sharp turns, or slam on the brakes.
- Allow extra distance between your vehicle and the vehicle in front of you, and avoid sudden braking.
- If a skid occurs when the accelerator pedal is depressed, take your foot off the pedal. Steer gently in the direction of the skid.
- Your vehicle is equipped with an anti-lock braking system (ABS). Hold the brake pedal down firmly and keep it depressed. Do not pump the brake pedal which will result in reduced braking performance.
- After parking on snowy or icy road, it may be difficult to move your vehicle due to freeze-up of the brake. Depress the accelerator pedal little by little to move the vehicle after confirming safety of the vehicle.

CAUTION

- Do not depress the accelerator pedal rapidly. The vehicle could start moving when it breaks free from the ice, possibly resulting in an accident.

On a bumpy or rutted road

- Drive as slow as possible when driving on bumpy, rutted roads or over potholes.

CAUTION

- Driving on bumpy, rutted roads or over potholes can damage the tires and wheels. Wheels with low-profile tires or under-inflated tires are especially at risk for damage.

Vehicle care and maintenance

Service precautions	7- 2	General maintenance	7- 37
Catalytic converter	7- 3	For cold and snowy weather	7- 39
Engine hood	7- 4	Fusible links	7- 39
View of the engine compartment	7- 7	Fuses	7- 40
Engine oil and oil filter	7- 8	Replacement of light bulbs	7- 48
Engine coolant	7- 12	Vehicle care precautions	7- 78
Air cleaner filter	7- 14	Cleaning the inside of your vehicle	7- 79
Automatic transaxle fluid (if so equipped)	7- 16	Cleaning the outside of your vehicle	7- 81
Continuously variable transmission (CVT) fluid (if so equipped)	7- 18		
Transfer oil (All-wheel drive models)	7- 18		
Rear axle oil (All-wheel drive models)	7- 19		
Washer fluid	7- 19		
Brake fluid	7- 20		
Power steering fluid	7- 21		
Battery	7- 21		
Tires	7- 24		
Brake pedal free play	7- 33		
Parking brake	7- 33		
Wiper blades	7- 34		
Emission-control system maintenance	7- 35		

Vehicle care and maintenance

Service precautions

N00937300286

Taking regular care of your vehicle will preserve its value and appearance as long as possible.

You can do some of the maintenance work yourself, and the rest should only be performed by an authorized Mitsubishi Motors dealer or a repair facility of your choice.

If you discover a malfunction or other problem, have it corrected by an authorized Mitsubishi Motors dealer or a repair facility of your choice.

This section describes the maintenance inspections that you can do yourself, if you so desire. Follow the instructions and precautions for each procedure.

⚠ WARNING

- When checking or servicing the inside of the engine compartment, be sure the engine is stopped and has had a chance to cool down.
- If you need to work in the engine compartment with the engine running, be especially careful that your clothing, hair, etc. does not get caught in the fan, drive belts, or other moving parts.
- The fan can turn on automatically even if the engine is not running. Turn the ignition switch to the "LOCK" position to be safe while you work in the engine compartment.
- Do not smoke or allow open flames around fuel or the battery. The fumes are flammable.

⚠ WARNING

- Be extremely careful when working around the battery. It contains poisonous and corrosive sulfuric acid.
- Do not get under your vehicle while it is on a jack. Always use properly rated automotive jack stands.
- Handling your vehicle's parts and materials in the wrong way can injure you. Ask an authorized Mitsubishi Motors dealer or a repair facility of your choice if you have questions.



DIAMOND CARE[™] PROTECTION PLAN

Have you purchased the Mitsubishi Motors Diamond Care Protection Plan? The Plan supplements your new vehicle warranties. See your authorized Mitsubishi Motors dealer for details.

Catalytic converter

N00937400346

The catalytic converter requires you to use unleaded fuel only. Leaded gasoline will destroy the emission-control effectiveness of the converter.

Normally, the catalytic converter does not require maintenance. However, it is important to keep the engine properly tuned for the converter to continue to work properly.

⚠ CAUTION

- **Damage to the catalytic converter can result if your vehicle is not kept in proper operating condition. If the engine malfunctions or misfires, or if your vehicle performance suffers, have it serviced promptly. Running your vehicle when it is overheated may result in damage to the converter and vehicle.**

⚠ WARNING

- **Do not park or run your vehicle in areas where combustible materials such as dry grass or leaves can come in contact with a hot exhaust, since a fire could occur.**
- **Do not put undercoat paint on the catalytic converter.**

Vehicle care and maintenance

To reduce the possibility of catalytic converter damage:

- Use UNLEADED GASOLINE ONLY of the type of recommended in "Fuel selection".
- Do not drive with an extremely low fuel level. Running out of gas could damage the catalytic converter.
- Do not try to start the engine by pushing or towing the vehicle. If the battery is weak or run down, use jumper cables to properly start the engine.
- Do not idle the engine with any spark plug wires disconnected or removed, such as when performing diagnostic tests.
- Do not idle the engine for a long time if it is idling roughly or otherwise obviously malfunctioning.
- To prevent the catalytic converter from being damaged from unburned gas, do not race the engine when turning off the ignition switch.
- Stop driving the vehicle if you think the performance is noticeably low, or the engine has a malfunction such as with the ignition, etc. If you are not able to stop driving immediately, slow down and drive for only a short time. Have your vehicle checked at an authorized Mitsubishi Motors dealer or a repair facility of your choice as soon as possible.
- In unusual situations involving major engine problems, a burning odor may indicate severe and abnormal catalytic converter overheating. If this occurs, stop in a safe place, shut the engine off and let the vehicle cool. Once the engine is cool, immediately take your vehicle to a dealer or a repair facility of your choice for service.

Vehicle care and maintenance

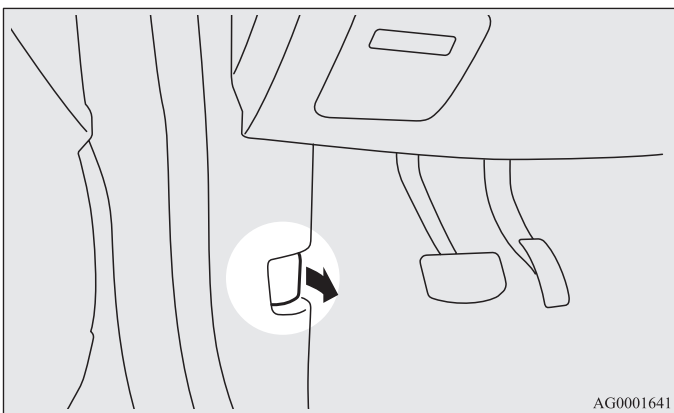
Engine hood

N00937500507

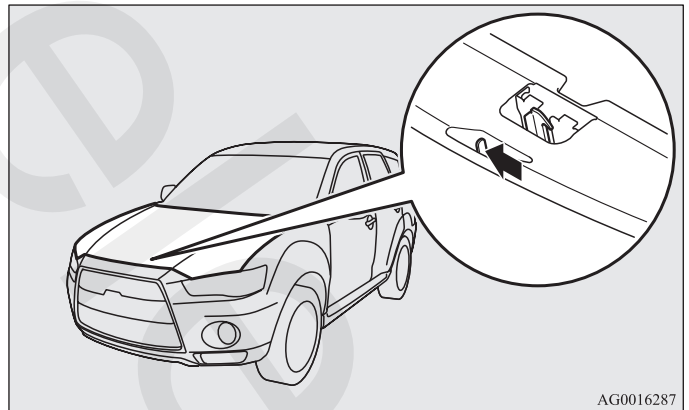
To open

Use the engine hood release lever (located under the instrument panel near the driver's door) to unlock the engine hood.

Pull the lever toward you to release the engine hood latch.



Release the lever and lift the engine hood.



NOTE

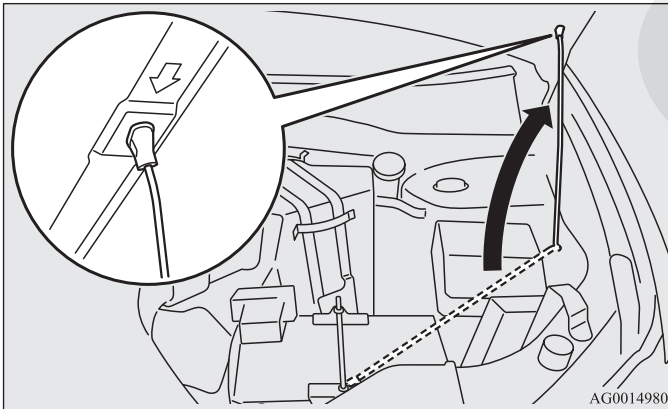
- To prevent damage to the engine hood and wipers, make sure the wipers are at resting position when you open the engine hood.

⚠ WARNING

- Never use the release lever to unlatch the engine hood while the vehicle is in motion.
- Do not drive your vehicle unless the engine hood is locked.

Vehicle care and maintenance

Support the engine hood with the hood prop. Insert the hood prop securely in the opening under the hood marked with an arrow.

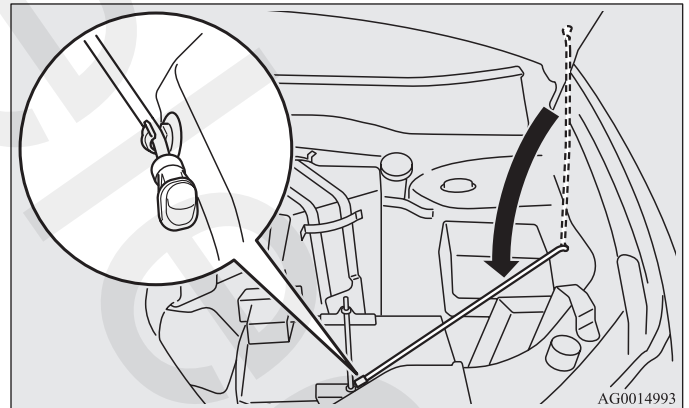


⚠ CAUTION

- Always insert the support prop into the hole specially made for it. Propping the engine hood at any other place could cause the prop to slip out and lead to an accident.
- The hood prop can fall out if the hood is lifted by a strong wind.

To close

Unlatch the prop from the engine hood and put it back in its retainer.



Slowly lower the engine hood about 8 inches (20 cm), then let it drop from its own weight.

⚠ CAUTION

- Be careful not to trap your hands or fingers when closing the engine hood.
- Make sure the engine hood is firmly closed before driving.
If you drive without the engine hood completely closed, it could open up while driving.

Vehicle care and maintenance

NOTE

- If this does not close the engine hood properly, drop it again from a slightly higher position.
- Do not push down strongly on the engine hood. Depending on how strongly or where you push down, you could create a dent in the vehicle body.
- If you drive with the engine hood left open, warning display is displayed on the information screen in the multi-information display.

Type 1

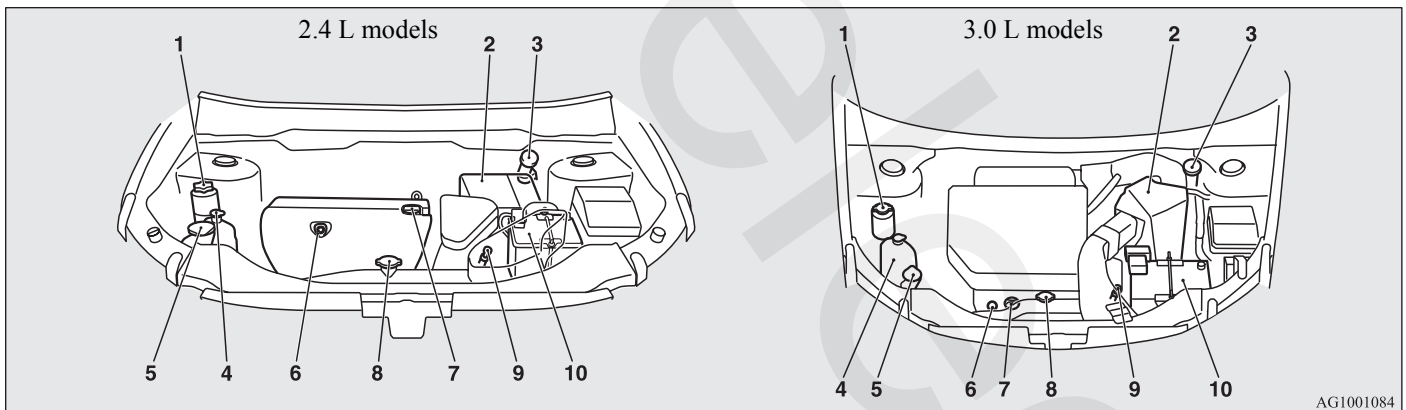


Type 2



View of the engine compartment

N00937600579



AG1001084

- 1- Power steering fluid reservoir
- 2- Air cleaner filter
- 3- Brake fluid tank
- 4- Engine coolant reserve tank
- 5- Windshield and rear window washer fluid reservoir
- 6- Engine oil level dipstick
- 7- Engine oil filler cap
- 8- Radiator cap
- 9- Automatic transaxle fluid level dipstick
- 10- Battery

Vehicle care and maintenance

Engine oil and oil filter

N00937700916

To check and refill engine oil

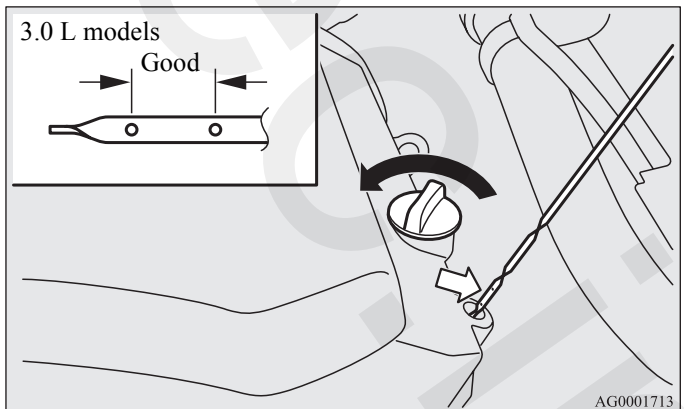
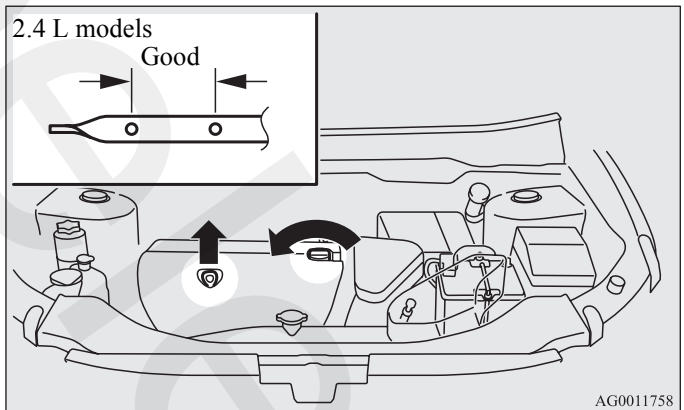
It is normal for an engine to use oil. You may need to add oil between the recommended oil change intervals. Before starting the engine, check the engine oil level. Refill if necessary.

To check the oil level, remove the dipstick, wipe it off, and gently reinsert it all the way. Slowly pull the dipstick straight out and check the oil level by checking the upper surface of the dipstick. The oil level must not go above the line on the dipstick.

NOTE

- If it is difficult to verify the oil level, wipe off the dipstick and reinsert it. Wait a moment and then recheck the oil level by checking the upper surface of the dipstick.

If the level does not reach the line which shows the smallest amount of oil required, remove the oil filler cap on the engine valve cover, and fill to within the “Good” range.



⚠ CAUTION

- Overfilling will cause oil aeration and loss of oil pressure, which could damage the engine.

⚠ WARNING

- Used engine oil is poisonous, and can damage your skin. Prolonged and repeated contact may cause serious skin disorders, including dermatitis and cancer. Do not let used oil touch your skin and wash thoroughly after working with it.
- Keep used oil out of the reach of children.

NOTE

- Engine oil consumption is greatly influenced by payload, engine speed, etc.
- The engine oil will deteriorate rapidly if the vehicle is subjected to severe conditions (for example, repeated operation on rough roads, in mountainous regions, on roads with many uphill and downhill gradients, or over short distances). Consequently, the oil will require earlier replacement in accordance with the schedule in the “WARRANTY AND MAINTENANCE MANUAL”.

Vehicle care and maintenance

Engine oil identification mark

Mitsubishi Motors recommends using only engine oils with the ILSAC certification symbol on the front of the container.

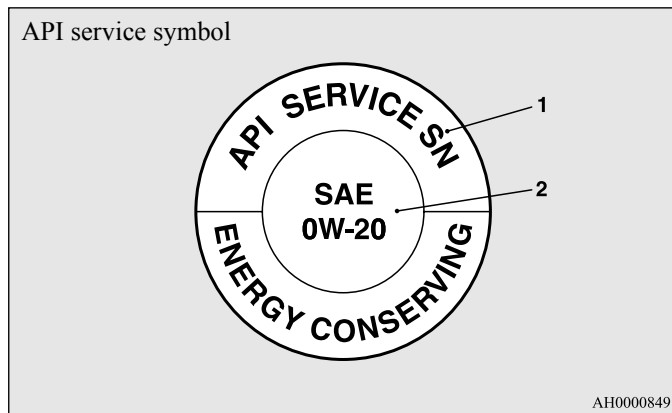
ILSAC certification symbol



TA0000313

Vehicle care and maintenance

If you cannot find oils with the ILSAC certification symbol, use an API classification SN oil with the following label. This mark appears on the top of the oil container and tells you two important things about the oil.

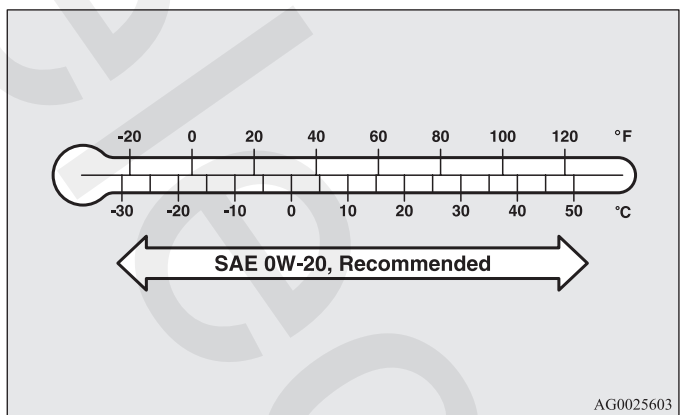


- 1- The upper part indicates the quality of the oil.
- 2- The center part indicates the SAE grade of the oil viscosity.

Recommended engine oil viscosity

Use engine oil with the proper thickness for the outdoor temperatures where you will be driving.

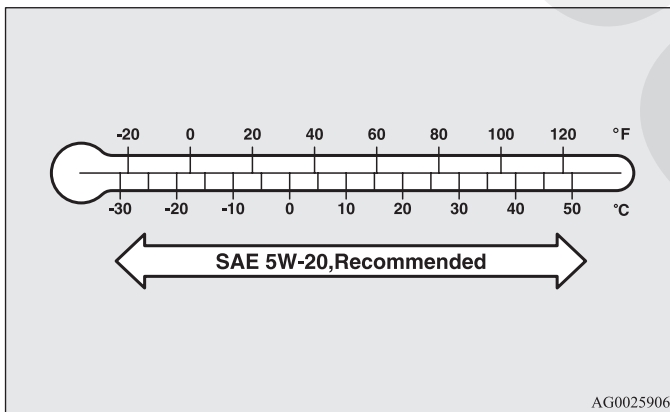
2.4 L models



SAE 0W-20 engine oil is strongly recommended for optimum fuel economy and cold starting.

If SAE 0W-20 is not available, the ILSAC certification oil of other viscosity grades can be temporarily used.

3.0 L models



SAE 5W-20 engine oil is strongly recommended for optimum fuel economy and cold starting.

To replace the oil filter

The oil filter should be replaced at the time or mileage specified in the “WARRANTY AND MAINTENANCE MANUAL”.

Only use high quality replacement filters on this vehicle. The manufacturer’s specifications for Genuine Mitsubishi oil filters require that the filter can withstand a pressure of 256 psi (1.8 MPa). A Genuine Mitsubishi oil filter is the best replacement filter.

Follow the installation instructions printed on the filter.

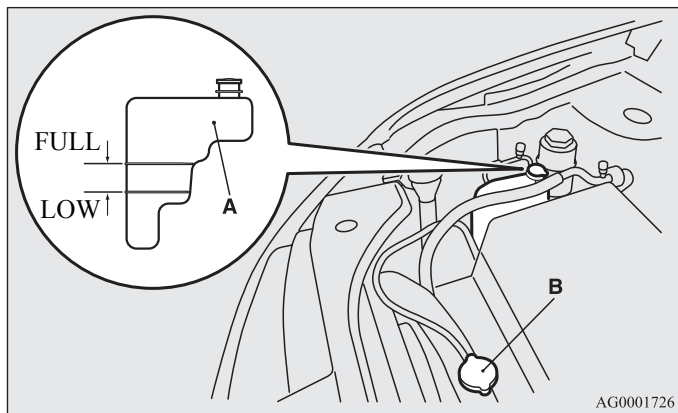
Vehicle care and maintenance

Engine coolant

N00937800571

To check the coolant level

The engine coolant reserve tank (A) lets you quickly see when you need to add coolant. When the engine is cold, the level of the coolant in the reserve tank should be between the FULL and LOW marks. The radiator usually stays full so there is no reason to remove the radiator cap (B) except when you check the coolant freeze point or replace the antifreeze coolant.



To add coolant

Use “Mitsubishi Motors Genuine Super Long Life Coolant Premium” or equivalent*.

*: similar high quality ethylene glycol based non-silicate, non-amine, non-nitrate and non-borate coolant with long life hybrid organic acid technology

Mitsubishi Motors Genuine Coolant provides excellent protection against corrosion and rust formation on all metals, including aluminum, and prevents clogs in some parts of engine.

If you need to add coolant often, or if the level in the reserve tank does not drop when the engine cools, the cooling system should be pressure-tested for leaks. Take your vehicle to an authorized Mitsubishi Motors dealer or a repair facility of your choice for testing.

⚠ CAUTION

- Do not use alcohol or methanol antifreeze or any engine coolants that contain them. Using the wrong antifreeze can corrode aluminum parts.
- The required concentration of anti-freeze differs depending on the expected ambient temperature.
 Above -31 °F (-35 °C) : 50 % concentration of anti-freeze
 Below -31 °F (-35 °C) : 60 % concentration of anti-freeze
 You can check the concentration level with a gauge from an automotive supply store, or your authorized Mitsubishi Motors dealer or service station can check it for you.

⚠ CAUTION

- Do not use water to adjust the concentration of coolant.
- Do not top off the tank with plain water only. Water by itself boils at a lower temperature and does not stop rust or freezing. If the water freezes, it will damage your cooling system. Do not use tapwater. It can cause corrosion and rust.

Radiator cap

The radiator cap must be tight sealed to prevent losing coolant, which may result in engine damage. Only use a Genuine Mitsubishi Parts radiator cap, or an approved equivalent.

⚠ WARNING

- Wait for the engine to cool down before opening the radiator cap. Otherwise hot steam or boiling coolant could spray up from the radiator and scald you.

Points to remember

- Do not overfill the reserve tank.
- Your vehicle uses a special radiator cap that stays sealed and lets the coolant flow from the reserve tank back to the radiator when the engine cools down. If you need to change the cap, use the exact same kind.
- Check the coolant freeze point in the radiator with the proper gauge, and only when it is safe. If you add anti-freeze, the contents of the reserve tank must be protected against freezing.
- Keep the front of the radiator and condenser clean.

Vehicle care and maintenance

- If the engine coolant temperature does not rise after the engine is warmed-up, take your vehicle to an authorized Mitsubishi Motors dealer or a repair facility of your choice to have the thermostat checked, and replaced if necessary.

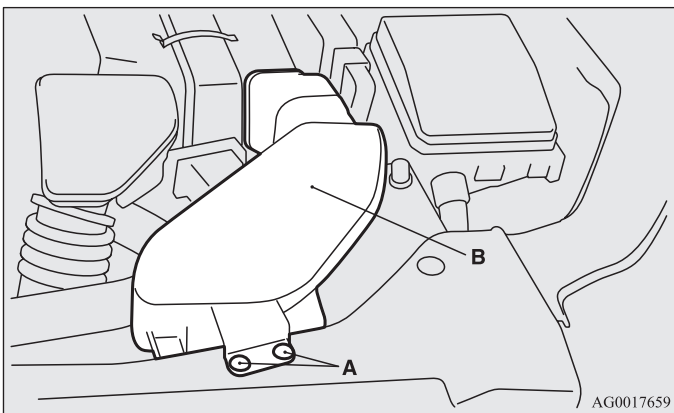
Vehicle care and maintenance

Air cleaner filter

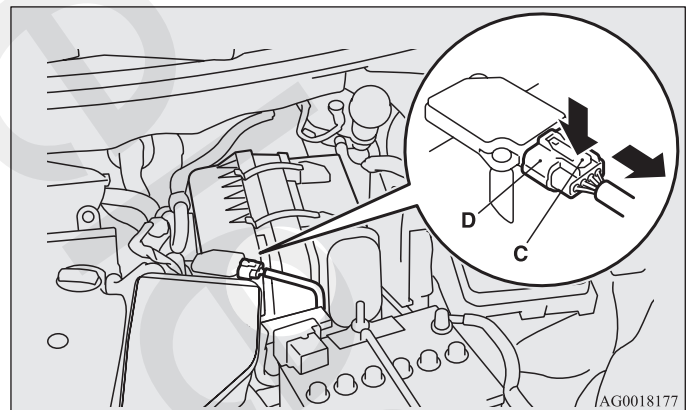
N00937900367

The air cleaner filter will get dirty and dusty from use and not filter properly. Replace it with a new filter using the schedule in the “WARRANTY AND MAINTENANCE MANUAL”.

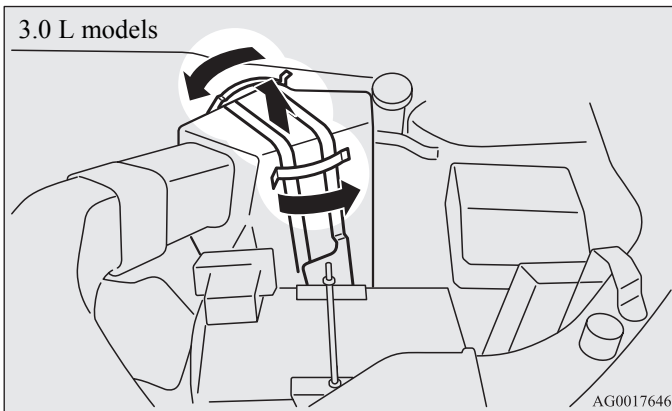
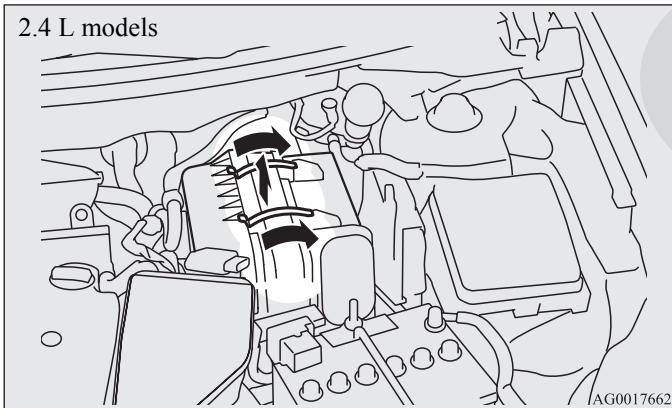
1. For 2.4 L models, remove the two clips (A), then remove the duct (B).



2. For 2.4 L models, while holding down the tab (C), pull out the connector (D).



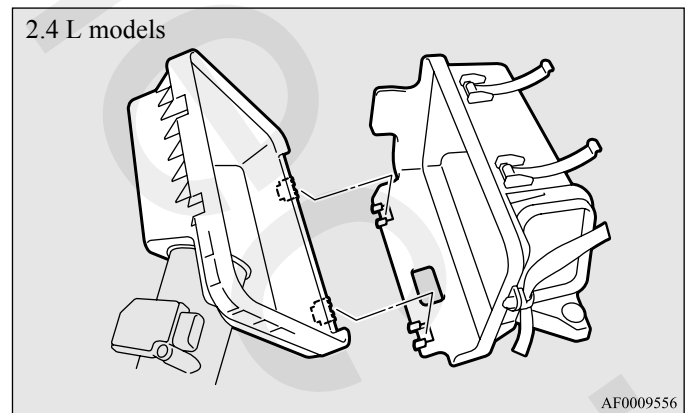
3. Unclamp the cover. Open up the top of the cover and take out the air cleaner filter.



4. Replacing the air cleaner filter and put the cover back on in its original position.

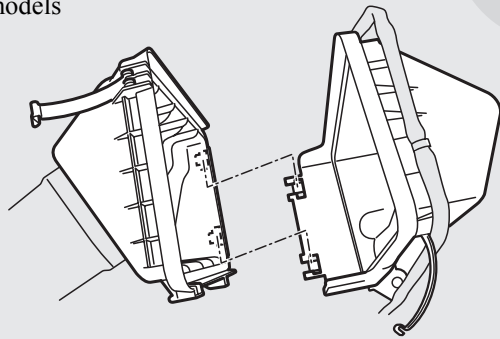
NOTE

- Genuine Mitsubishi Motors Parts are recommended when replacing the air cleaner filter.
- For 2.4 L models, make sure that the connector is properly reconnected.
- After replacing the air cleaner filter, make sure that the hinges at the bottom of cover are firmly set.



Vehicle care and maintenance

3.0 L models



AG0017675

⚠ CAUTION

- Take care not to scratch the engine air flow sensor when removing the air cleaner cover.

5. For 2.4 L models, put the duct back on in its original position.

Automatic transaxle fluid (if so equipped)

N00938000570

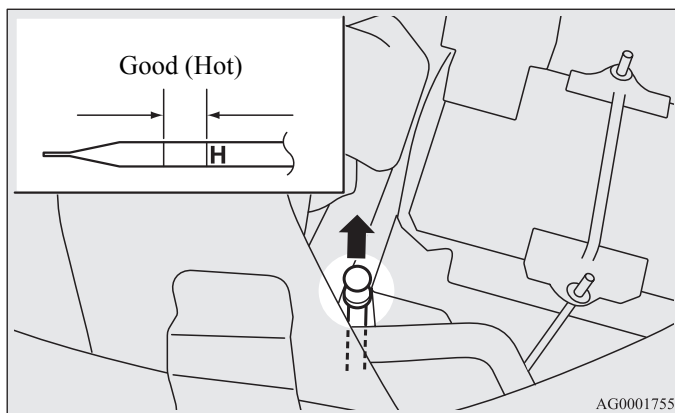
The automatic transaxle should be maintained and serviced by an authorized Mitsubishi Motors dealer or a repair facility of your choice to obtain the best performance and longest life. It is important that the transaxle fluid is kept at the correct level.

To check the fluid level

The fluid level should be checked when the bar graph for the engine coolant temperature display on the multi-information display shows the engine is warmed up and the fluid in the transaxle is heated to its normal working temperature. Driving with the wrong fluid level will rapidly wear out the transaxle and destroy the fluid.

Procedure for checking the fluid level

1. With the brake pedal fully depressed and the engine idling, select each gear momentarily, ending with the selector lever in the "P" (PARK) position.
2. The fluid level should be at the HOT mark, but never above the HOT mark when the engine is warmed up. Add or drain fluid to get to the correct level.
3. Make certain that the dipstick cap is installed properly to keep dirt and water out of the transaxle.



⚠ WARNING

- Transaxle fluid is extremely flammable and poisonous. Do not spill fluid when adding or draining.

Fluid type

Use only "Mitsubishi Motors Genuine ATF-J3" transaxle fluid to ensure optimum transaxle performance.

⚠ CAUTION

- Using the improper transaxle fluid may damage the transaxle.

Special additives

Mitsubishi Motors Corporation does not recommend the addition of any fluid additives to the transaxle.

Vehicle care and maintenance

***Continuously variable transmission (CVT)
fluid (if so equipped)***

N00938100076

The continuously variable transmission (CVT) should be maintained and serviced by an authorized Mitsubishi Motors dealer or a repair facility of your choice to obtain the best performance and longest life. It is important that the transmission fluid is kept at the correct level.

Fluid type

Use only “Mitsubishi Motors Genuine CVTF-J4” transmission fluid to ensure optimum transmission performance.

Special additives

Do not use any fluid additives to the transmission.

Transfer oil (All-wheel drive models)

N00938400268

Whenever the transfer oil level is checked, add oil as necessary to maintain the proper level. Fill or change the oil according to the table.

Fluid type

Lubricant	Mitsubishi Motors Genuine Super Hypoid Gear Oil API classification GL-5
Viscosity range	SAE 80

Vehicle care and maintenance

Rear axle oil (All-wheel drive models)

N00915200256

Whenever the oil level is checked, add oil as necessary to maintain the proper level.
Fill or change oil according to the table.

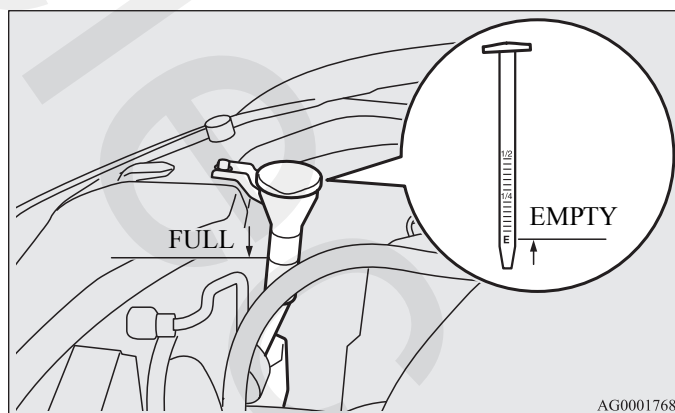
Fluid type

Lubricant	Mitsubishi Motors Genuine Super Hypoid Gear Oil API classification GL-5
Viscosity range	SAE 80

Washer fluid

N00938600228

The windshield and rear window washer fluid reservoir is in the engine compartment.
Check the washer fluid level at regular intervals and add washer fluid to reservoir if necessary.
Open the reservoir cap and check the fluid level with the dipstick.



When freezing weather is anticipated, flush out the water in the reservoir by operating the pump. Fill the reservoir with windshield antifreeze (not radiator antifreeze), and operate the system for a few seconds to flush out the residual water.

Vehicle care and maintenance

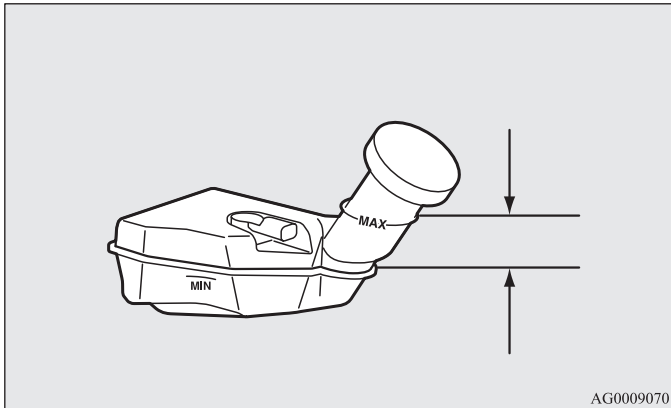
Brake fluid

N00938700203

To check the fluid level

Check the fluid level in the reservoir.

The fluid level must be between the “MAX” and “MIN” marks on the reservoir.



The fluid level falls slightly with wear of the brake pads, but this does not indicate any abnormality.

If the fluid level falls markedly in a short length of time, it indicates leaks from the brake system.

If this occurs, have the vehicle checked by an authorized Mitsubishi Motors dealer or a repair facility of your choice.

Fluid type

Use the recommended brake fluid conforming to DOT 3 or DOT 4. The reservoir cap must be tightly sealed to keep dirt and water out.

7-20

CAUTION

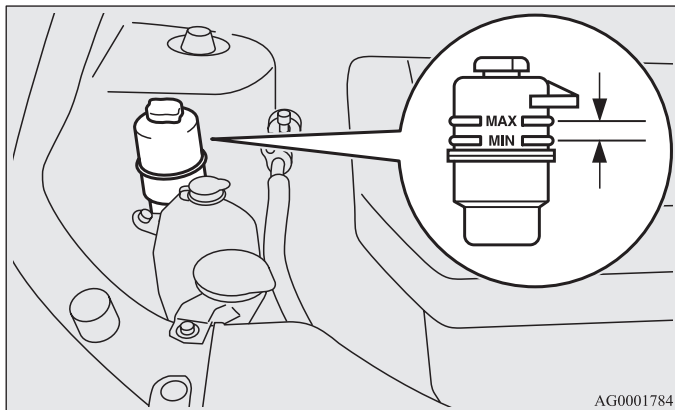
- Do not let any petroleum-based fluid touch, mix with, or get into the brake fluid. This will damage the seals.
- Be careful when handling brake fluid. It can damage painted surfaces.
- Use only the listed brake fluid. Different brands of brake fluid have different additives, and these can cause a chemical reaction. Do not mix brands of brake fluid.
- Keep the reservoir tank cap closed to keep the brake fluid from evaporating.

Power steering fluid

N00939000405

To check the fluid level

Check the fluid level in the reservoir while the engine is idling. Check to make certain that the power steering fluid level is always between the “MAX” and “MIN” level markings on the fluid reservoir and refill the fluid, if necessary.



AG0001784

Fluid type

Lubricant	Mitsubishi Motors Genuine Power Steering Fluid
-----------	--

Vehicle care and maintenance

Battery

N00939100927

The condition of the battery is very important for quick starting and to keep the vehicle's electrical system working properly. Check the battery regularly.

If battery performance is suspect, have the battery and charging system tested by an authorized Mitsubishi Motors dealer or a repair facility of your choice.

NOTE

- After replacing the battery, the electronic control system data for the automatic transaxle, etc., will be erased. As a result, shifting may be rough. Shifting will become smoother after several changes in speed.

Vehicle care and maintenance

Checking battery electrolyte level

The electrolyte level must be between the limits shown on the outside of the battery. Fill it with distilled water as needed. The inside of the battery is divided into several compartments. Take the cap off of each compartment and fill to the mark.

Do not fill above the top line because a spill during driving could cause damage.

During cold weather

The battery is weaker in cold temperatures. This has to do with its chemical and physical properties and is why a very cold battery, especially one with a low charge, will have a hard time starting your vehicle.

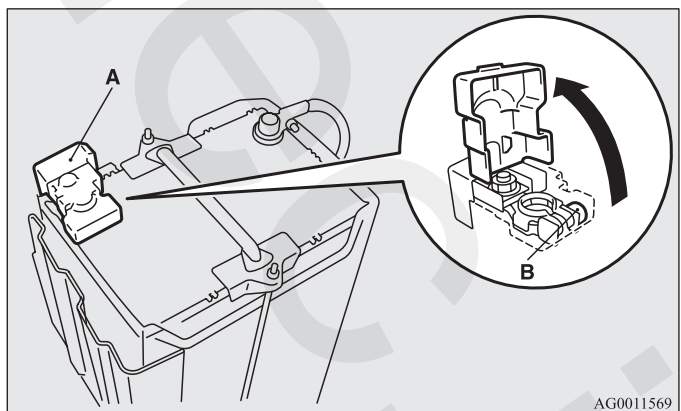
It is recommended that you have your battery and charging system checked by an authorized Mitsubishi Motors dealer or a repair facility of your choice before the start of cold weather. If necessary, have it charged. This will guarantee more reliable starting, and longer battery life.

Disconnection and connection

To disconnect the battery cable, stop the engine. Disconnect the negative (-) terminal first, then the positive (+) terminal. To reconnect the battery, first connect the positive (+) terminal and then the negative (-) terminal, before starting the vehicle.

NOTE

- Open the terminal cover (A) before disconnecting or connecting the positive (+) terminal of the battery.
- Loosen the nut (B) and then disconnect the battery cable from the positive (+) terminal.



⚠ WARNING

- Never disconnect the battery while the engine is running, or you could damage the vehicle's electrical parts.
- Never short-circuit the battery. This could cause it to overheat and be damaged.
- Keep sparks, cigarettes, and flames away from the battery because the battery could explode.
- Electrolyte (battery acid) is made of corrosive diluted sulfuric acid. If it spills on nearby parts, it can crack, stain, or discolor them. And if it gets on your skin or in your eyes, it can cause burns or blindness. Please observe the following handling instructions:
 - If electrolyte gets on plastic parts or other nearby parts, wipe it off with a soft cloth or chamois soaked in a solution of water and neutral detergent then immediately rinse the affected parts with plenty of water.
 - If electrolyte gets on your hands or clothes, rinse thoroughly with water. If electrolyte gets in your eyes, flush them with water immediately and get immediate medical attention.
- Open doors and windows in any closed space where you may be charging or working with the battery.
- Always wear protective clothing and goggles when working with the battery, or have a skilled automobile technician do it.
- If you are quick-charging your battery, first disconnect the battery cables.

⚠ WARNING

- In order to prevent a short-circuit, be sure to disconnect the negative (-) terminal first, and reconnect it last.
- If the electrolyte level is very low, have the battery checked at an authorized Mitsubishi Motors dealer or a repair facility of your choice.
- Battery posts, terminals and related accessories contain lead and lead compounds. Wash hands after handling.

NOTE

- Check each battery terminal for corrosion. You can stop more corrosion by washing with a solution of baking soda and water. Grease the posts and clamps after cleaning or tightening them.
- Check to see that the battery is securely installed and cannot be moved. Also check each terminal for tightness.
- If you will not be driving your vehicle for a long period of time, remove the battery and store it in a place where the battery fluid will not freeze. The battery only should be stored with a full charge.
- Before cleaning the battery, tighten all the filler port caps to keep dirt and moisture out.

Vehicle care and maintenance

Tires

N00939200494

⚠ WARNING

- **Driving with tires that are worn, damaged or improperly inflated is dangerous. These type tire conditions will adversely affect vehicle performance. These type tire conditions can also cause a tread separation or blowout which may result in an accident causing serious injury or death.**
- **Tires, including spare tire, degrade over time with age even when they are not being used. It is recommended that tires over 6 years generally be replaced even if damage is not obvious.**

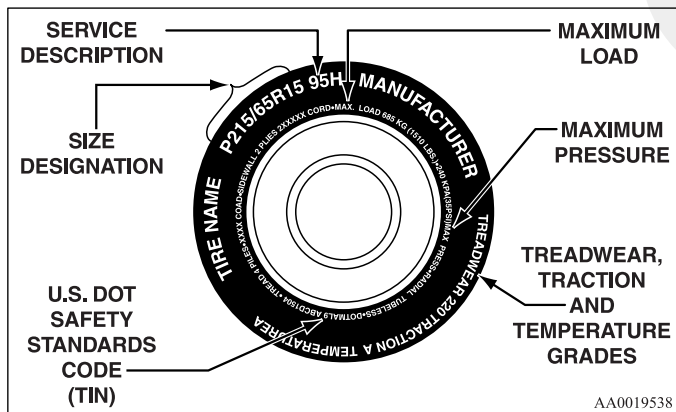
It is important to familiarize yourself with the following terms:

- Cold tire pressure:
 - The measured pressure after the vehicle has been parked for at least three hours,
 - or
 - The measured pressure when the vehicle is driven less than 1 mile (1.6 km) after having been parked for three hours.
- Maximum pressure: the maximum permissible cold tire inflation pressure for this tire.
- Recommended inflation pressure: the inflation pressure for optimum tire performance.

- Intended outboard sidewall:
 - The sidewall that contains a whitewall, bears white lettering or bears manufacturer, brand, and/or model name molding that is higher or deeper than the same molding on the other sidewall of the tire, or
 - The outward facing sidewall of an asymmetrical tire that has a particular side that must always face outward when mounted on a vehicle.
- Passenger car tire: a tire intended for use on passenger cars, multipurpose passenger vehicles, and trucks, that have a gross vehicle weight rating (GVWR) of 10,000 pounds or less.
- Light truck (LT) tire: a tire designated by its manufacturer as primarily intended for use on lightweight trucks or multipurpose passenger vehicles.
- Tread: portion of a tire that comes into contact with the road.
- Tread rib: a tread section running circumferentially around a tire.
- Tread separation: pulling away of the tread from the tire carcass.
- Carcass: the tire structure, except tread and sidewall rubber which, when inflated, bears the load.
- Sidewall: portion of a tire between the tread and bead.
- Section width: the linear distance between the exteriors of the sidewalls of an inflated tire, excluding elevations due to labeling, decoration, or protective bands.
- Bead: the part of the tire that is made of steel wires, wrapped or reinforced by ply cords and that is shaped to fit the rim.
- Ply: a layer of rubber-coated parallel cords.
- Cord: the strands forming the plies in the tire.

- Rim: a metal support for a tire or a tire and tube assembly upon which the tire beads are seated.
- Rim diameter: nominal diameter of the bead seat.
- Groove: the space between two adjacent tread ribs.

Tire Markings



Size Designation

EXAMPLE: P215/65R15

P	Passenger car tire size based on U.S.A. design standards
215	Section width in millimeters (mm)
65	Aspect ratio in percent (%) Ratio of section height to section width of tire.
R	Construction code • “R” means radial construction. • “D” means diagonal or bias construction.
15	Rim diameter in inches (in)

NOTE

- European/Japanese metric tire sizing is based on European/Japanese design standards. Tires designed to these standards have the tire size molded into the sidewall beginning with the section width. The letter “P” is absent from this tire size designation. Example: 215/65R15 96H.
- LT (Light Truck) -metric tire sizing is based on U.S.A. design standards. The size designation for LT-metric tires is the same as for P-metric tires except for the letters “LT” that are molded into the sidewall preceding the size designation. Example: LT235/85R16.
- Temporary spare tires are high pressure compact spares designed for temporary emergency use only. Tires designed to this standard have the letter “T” molded into the sidewall preceding the size designation. Example: T145/80D18 103M.

Vehicle care and maintenance

Service Description

EXAMPLE: 95H

95	Load index A numerical code associated with the maximum load a tire can carry.
H	Speed symbol A symbol indicating the range of speeds at which a tire can carry a load corresponding to its load index under certain operating conditions. The maximum speed corresponding to the speed symbol should only be achieved under specified operating conditions. (i.e. tire pressure, vehicle loading, road conditions and posted speed limits)

Maximum Load

Maximum load indicates the maximum load this tire is designed to carry.

⚠ WARNING

- **Overloading of your tire is dangerous. Overloading can cause tire failure, affect vehicle handling, and increase your stopping distance. Use tires of the recommended load capacity for your vehicle. Never overload them.**

Maximum Pressure

Maximum Pressure indicates the maximum permissible cold tire inflation pressure for this tire.

Tire Identification Number (TIN)

The TIN may be found on one or both sides of the tire but the date code may only be on one side. Look for the TIN on the outboard side of tires as mounted on the vehicle. If the TIN is not found on the outboard side then you will find it on the inboard side of the tire.

EXAMPLE: DOT MA L9 ABCD 1504

DOT	Department of Transportation This symbol certifies that the tire is in compliance with the U.S. Department of Transportation tire safety standards, and is approved for highway use.
MA	Code representing the tire manufacturing location. (2 digits)
L9 ABCD	Code representing the tire size. (2 digits) Code used by tire manufacturer. (1 to 4 digits)
15	Number representing the week in which the tire was manufactured. (2 digits)
04	Number representing the year in which the tire was manufactured. (2 digits)

Treadwear, Traction and Temperature Grades

Treadwear

The treadwear grade is a comparative rating based on the wear rate of the tire when tested under controlled conditions on a specified government test course. For example, a tire graded 150 would wear one and one-half ($1\frac{1}{2}$) times as well on the government course as a tire graded 100. The relative performance of tires depends upon the actual conditions of their use, however, and may depart significantly from the norm due to variations in driving habits, service practices and differences in road characteristics and climate.

Traction

The traction grades, from highest to lowest, are AA, A, B and C. Those grades represent the tire's ability to stop on wet pavement as measured under controlled conditions on a specified government test surfaces of asphalt and concrete. A tire marked C may have poor traction performance.

Temperature

The temperature grades are A (the highest), B and C, representing the tire's resistance to the generation of heat and its ability to dissipate heat when tested under controlled conditions on a specified indoor laboratory test wheel. Sustained high temperature can cause the material of the tire to degenerate and reduce tire life, and excessive temperature can lead to sudden tire failure. The grade C corresponds to a level of performance which all passenger car tires must meet under the Federal Motor Vehicle Safety Standard No. 109. Grades B and A represent higher levels of performance on the laboratory test wheel than the minimum required by law.

Tire inflation pressures

Proper tire inflation pressure is essential for the safe and satisfactory operation of your vehicle. The wrong tire pressure will cause problems in three major areas:

- **Safety**
Too little pressure increases flexing in the tire and can cause tire failure. Too much pressure can cause a tire to lose its ability to cushion shock. Objects on the road and potholes could then cause tire damage that may result in tire failure.
- **Economy**
The wrong tire pressure can cause uneven wear patterns in the tire tread. These abnormal wear patterns will reduce the tread life, and the tire will have to be replaced sooner. Too little pressure also makes it harder for the tire to roll, and this uses up more fuel.
- **Ride comfort and vehicle stability**
The superior riding experience built into your vehicle partly depends on the correct tire pressure. Too much pressure gives an uncomfortable and jarring ride. Too little pressure feels as if your vehicle is slow to respond. Unequal tire pressures can make steering your vehicle uneven and unpredictable.

The tire pressure for your vehicle under normal driving conditions is listed on the placard attached to the driver's door sill. (Refer to "Tire and loading information placard" on page 9-4.)

Vehicle care and maintenance

The recommended inflation pressures under normal driving conditions should be used for the tires listed below.

Item	Tire size	Front	Rear
Normal tire	P215/70R16 P225/55R18	240 KPA, 35 PSI	240 KPA, 35 PSI
Compact spare wheel	T155/90D16	420 KPA, 60 PSI	

Tire pressures should be checked, and adjusted if necessary, at least once a month.

Pressures should be checked more often whenever weather temperatures change severely, because tire pressures change with outdoor temperatures. The pressures listed are always “cold inflation pressure”.

Cold inflation pressure is measured after the vehicle has been parked for at least three hours or is driven less than 1 mile (1.6 km) after having been parked for three hours.

Cold inflation pressure must not go above the maximum values molded into the tire sidewall. After driving several miles, your tire inflation pressure may increase 2 to 6 psi (14 to 41 kPa) from the cold inflation pressure. Do not let air out of the tires to get back to the specified cold pressure, or your tires will be too low.

Check your tires each time you refuel. If one tire looks lower than the others, check the pressure for all of them.

You should also take the following safety precautions:

- Keep your tires inflated to the recommended pressures. (See the tire and loading information placard attached to the driver's door sill.)
- Stay within the recommended load limits.
- Make sure that the weight of any load in your vehicle is evenly distributed.
- Drive at safe speeds.
- After filling your tires to the correct pressure, check them for damage and air leaks. Be sure to reinstall the caps on the valve stems.

Replacing tires and wheels

N00939600241

CAUTION

- Avoid using different size tires from the one listed and the combined use of different types of tires, as this can affect driving safety. Refer to “Tires and wheels” on page 9-10.
- On all-wheel drive vehicles, always use tires of the same size, same type, and same brand, and which have no wear differences. Using tires that differ in size, type, brand or the degree of wear, will increase the differential oil temperature, resulting in possible damage to the driving system. Further, the drive train will be subjected to excessive loading, possibly leading to oil leakage, component seizure, or other serious problems.
- Only Mitsubishi Motors Authorized wheels should be used, because your vehicle is equipped with a tire pressure monitoring system. Use of another type of wheel risks air leaks and sensor damage, as it will not be possible to install the tire pressure sensor properly.

Tire maintenance

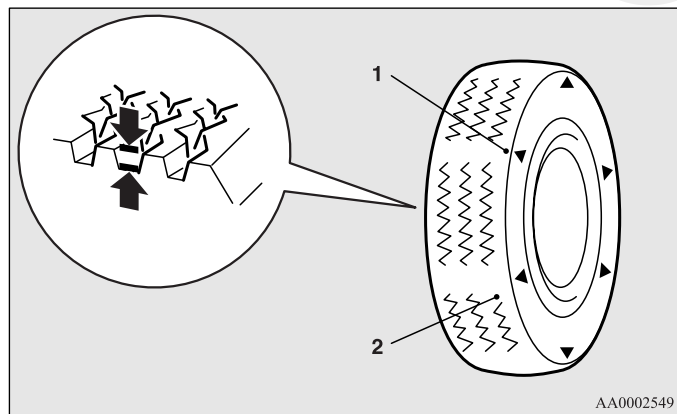
N00939700141

The following maintenance steps are recommended:

- Check tire pressures regularly.
- Have regular maintenance done on the wheel balance and front and rear suspension alignment.
- Rotate your tires regularly as described in the “Tire rotation” section on page 7-30.

Vehicle care and maintenance

Tread wear indicator



- 1- Location of the tread wear indicator
- 2- Tread wear indicator

Tread wear indicators are built into the original equipment tires on your vehicle to help you know when your tires should be replaced. Many states have laws requiring that you replace your tires at this point.

These indicators are molded into the bottom of the tread grooves and will appear when the tire tread is worn down to 1/16 inch (1.6 mm).

When the bands appear next to one another in two or more places, replace your tires.

NOTE

- Tire wear indicators can have different marks and locations depending on the tire manufacturer.

Tire rotation

N00939900488

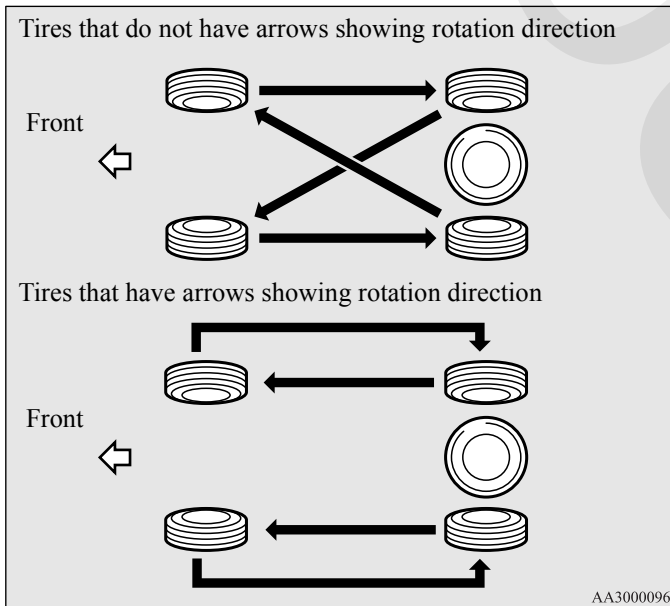
To even out the wear on your tires and make them last longer, Mitsubishi Motors Corporation recommends that you rotate your tires at the mileage listed in the “WARRANTY AND MAINTENANCE MANUAL”.

However, the timing for tire rotation may vary according to your vehicle condition, road surface conditions, and your own personal driving habits. Any time you notice unusual wear, rotate your tires as soon as possible.

When rotating tires, check for uneven wear, damage, and wheel alignment. Abnormal wear is usually caused by a wrong tire pressure, wheels that are not aligned properly, wheels that are out-of-balance, or severe braking.

Check with an authorized Mitsubishi Motors dealer or a repair facility of your choice to find out the reason for uneven tread wear.

The first tire rotation is the most important one. It will allow all your tires to wear evenly.

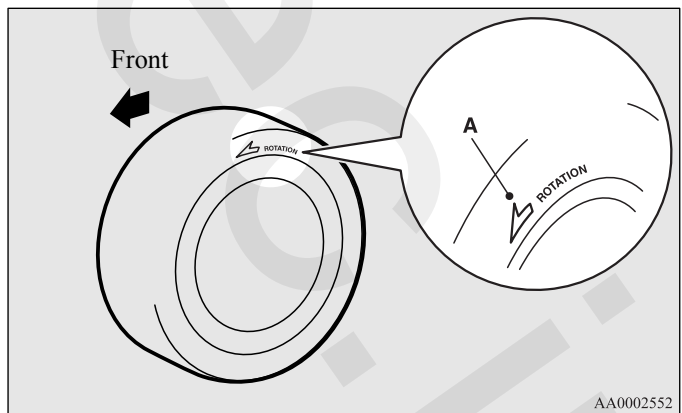


⚠ CAUTION

- A compact spare tire can be installed temporarily in place of a tire that has been removed during the tire rotation. However, it must not be included in the regular tire rotation sequence.

⚠ CAUTION

- If the tires have arrows (A) indicating the correct direction of rotation, swap the front and rear tires on the left-hand side of the vehicle and the front and rear tires on the right-hand side of the vehicle separately. Keep each tire on its original side of the vehicle. When installing the tires, make sure the arrows point in the direction in which the wheels will turn when the vehicle moves forward. Any tire whose arrow points in the wrong direction will not perform to its full potential.



Vehicle care and maintenance

CAUTION

- **Avoid the combined use of different types of tires. Using different types of tires can affect vehicle performance and safety.**

Snow tires

N0094000320

In some areas of the country, snow tires are required for winter driving. If snow tires are required in your area, you must choose snow tires of the same size and type as the original tires provided with your vehicle. Snow tires should also be installed on all four wheels. Otherwise your safety and vehicle handling can be reduced.

Even where laws may permit it, snow tires should not be operated at sustained speeds over 75 mph (120 km/h).

CAUTION

- **Only Mitsubishi Motors Authorized wheels should be used, because your vehicle is equipped with a tire pressure monitoring system. Use of another type of wheel risks air leaks and sensor damage, as it will not be possible to install the tire pressure sensor properly.**

Tire chains

N00940100116

CAUTION

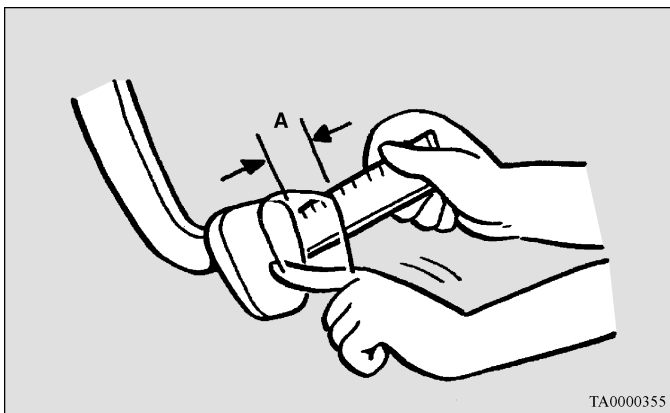
- **Tire chains cannot be used on your vehicle. The clearance between the chains and the body is not sufficient to allow proper clearance, and the vehicle body might be damaged.**

Brake pedal free play

N00940300293

To check the brake pedal free play (A), turn off the engine and press the brake pedal several times with your foot. Then press the pedal down with your fingers until you first feel resistance.

Brake pedal free play:
.1 to .3 inch (3 to 8 mm)



TA0000355

If the free play is not within these limits, take your vehicle to an authorized Mitsubishi Motors dealer or a repair facility of your choice for adjustment.

Vehicle care and maintenance

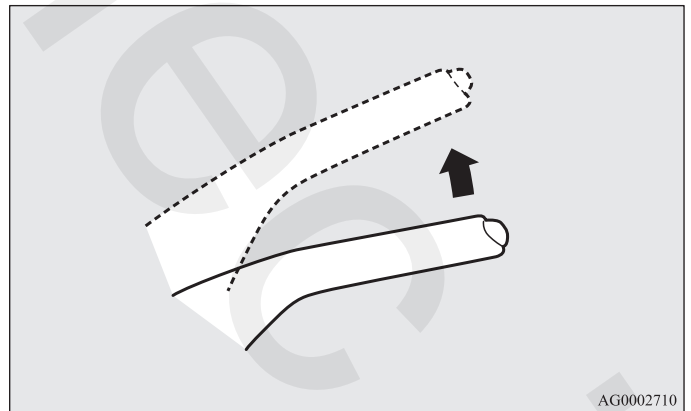
Parking brake

N00940400164

Parking brake lever stroke

Check the parking brake lever travel occasionally. To check this, pull the lever up slowly and count the number of clicks of the ratchet. You should feel the parking brake grab between 3 to 5 notches (clicks).

Also check to see if the lever stays gripped by the ratchet after pulling.



AG0002710

⚠ WARNING

- Continued operation of the vehicle with the parking brake lever out of adjustment may result in the vehicle moving when unattended.

Vehicle care and maintenance

Parking brake break-in

Break-in the parking brake linings whenever the brake performance of the parking brake is insufficient or whenever the parking brake linings and/or drum/discs are replaced, in order to assure the best brake performance.

This procedure is described in the vehicle service manual and can be carried out by an authorized Mitsubishi Motors dealer

Wiper blades

N00940700138

Check the wiper blades occasionally. Clean them regularly to remove deposits of salt and road film. Use a sponge or cloth and a mild detergent or non-abrasive cleaner to clean the blades and glass areas.

Replace the blades if they continue to streak or smear.

NOTE

- Do not run the wipers on dry glass for a long time. This wears out the rubber and can scratch the glass.

During cold weather

If the blades are frozen to the windshield or rear window, do not operate the wipers until the ice has melted and the blades are freed, otherwise the wiper motor may be damaged.

Emission-control system maintenance

N00940800328

Your vehicle is equipped with an emission-control system that meets all the requirements of the U.S. Environmental Protection Agency and Environment Canada. The emission-control system is made of:

- a positive crankcase ventilation system
- an evaporative emission-control system
- an exhaust emission-control system

To be sure the emission-control system works properly, have your vehicle inspected and maintained by an authorized Mitsubishi Motors dealer or a repair facility of your choice. This should be done at the time or mileage specified in the “WARRANTY AND MAINTENANCE MANUAL”.

These, and all the other “general” maintenance services listed in this manual, need to be performed to keep your vehicle running properly and reliably.

You should also have an inspection and service any time you suspect a malfunction.

NOTE

- To meet government regulations and promote cleaner air, your vehicle is equipped with an onboard diagnostic system (OBD). The engine electronic control module that controls OBD functions stores various data (especially about the exhaust emissions). This data will be erased if the battery cable is disconnected, which could make a rapid diagnosis difficult. Do not disconnect the battery cable when the engine malfunction indicator (“SERVICE ENGINE SOON” or “Check engine light”) is ON.

Spark plugs

N00940900231

Spark plugs must fire properly to ensure proper engine performance and emission-control.

Do not reuse spark plugs by cleaning or regapping. Spark plugs should be replaced at the mileage specified in the “WARRANTY AND MAINTENANCE MANUAL”.

NOTE

- Use the recommended or equivalent spark plugs listed under “Engine specifications” on page 9-9. Use of other plugs could cause engine damage, loss of performance or radio noise.

Fuel hoses

N00941000040

Check the hose surfaces for any heat and mechanical damage, hard and brittle rubber, cracking, tears, cuts and abrasions. Pay special attention to the hoses closest to high heat sources such as the exhaust manifold. Check all the hose connections, such as clamps and couplings, to make sure they are secure and that there are no leaks. If you see any wear or damage, replace the hoses immediately.

Intake valve clearance

N00950100050

Have the valve clearance checked at an authorized Mitsubishi Motors dealer at the mileage specified in the “WARRANTY AND MAINTENANCE MANUAL”.

If the engine sounds abnormally loud, have adjustments made by an authorized Mitsubishi Motors dealer.

Vehicle care and maintenance

Fuel system (tank, pipe line and connection, and fuel tank filler cap)

N00941300173

Check these regularly for damage or leaks in the fuel lines and connections. Check the fuel tank filler cap for damage or looseness. Pay special attention to the fuel lines closest to high heat sources such as the exhaust manifold.

▲ WARNING

- If you see a fuel leak or if you smell fuel, do not run the engine. Any spark (including from the ignition), flame or smoking material could cause an explosion or fire. Call an authorized Mitsubishi Motors dealer or a repair facility of your choice for assistance.

Evaporative emission control system (except evaporative emission canister)

N00941400187

If the fuel-vapor vent line is clogged or damaged, the fuel-vapor mixture will escape, polluting the air.

Have the system checked at an authorized Mitsubishi Motors dealer at the mileage specified in the “WARRANTY AND MAINTENANCE MANUAL”.

Vehicle care and maintenance

General maintenance

N00941500247

The next pages list the maintenance service recommended by Mitsubishi Motors Corporation. In addition to the general maintenance that needs to be performed at the times listed, there are other parts which do not usually need regular maintenance.

But, if any of these parts stops working properly, your vehicle performance could suffer. Have these items checked if you notice a problem with them.

See your authorized Mitsubishi Motors dealer for assistance, if you have any questions.

Disc brake pads

N00941600059

Good brakes are essential for safe driving. Check the brake pads for wear. For good braking performance, replace the brake pads with the same type pads as the originals.

Brake hoses

N00941700076

Brake hoses and tubing should be checked for:

- Severe surface cracking, scuffing or worn spots. If the fabric casing of the hose is showing through any cracks or worn spots in the rubber hose cover, the hose should be replaced. The brakes can fail if the hose wears through.
- Improper installation may cause twisting, or wheel, tire or chassis interference.

Ball joint, steering linkage seals, drive shaft boots

N00941800093

Check the following parts for damage and grease leaks:

- Ball joint boots of the suspension and steering linkage
- Bellows on both ends of the drive shaft

Vehicle care and maintenance

Exhaust system

N00942200094

WARNING

- Carbon monoxide gas from your vehicle's exhaust is poisonous. Breathing these fumes can cause unconsciousness or death.

The best way to keep carbon monoxide gas from entering inside your vehicle is to have the engine exhaust system properly serviced.

Have a competent mechanic inspect the complete exhaust system and nearby body areas for broken, damaged, deteriorated, or mispositioned parts if you notice any of the following:

- A change in the sound of the exhaust system
- The smell of exhaust fumes inside the vehicle
- The underside or rear of the vehicle is damaged

Also check the exhaust system each time the vehicle is raised for lubrication, oil changes, or required service. Any open seams or loose connections could let dangerous exhaust fumes seep into the luggage compartment and passenger compartments.

Check for any of the following conditions:

- Check for holes or exhaust gas leaks caused by corrosion or damage.
- Check the joints and connections for looseness or exhaust gas leaks.
- Check the rubber hangers and brackets for damage.

7

Timing belt

N00942300079

The timing belt should be replaced with a new one at the mileage listed in the "WARRANTY AND MAINTENANCE MANUAL".

Hood lock release mechanism and safety catch

N00942500101

The hood lock release mechanism and hood safety catch should be checked, cleaned, and oiled when needed for easy movement and to stop rust and wear. Use Multipurpose Grease NLGI Grade 2 sparingly for all sliding parts of the hood latch and release lever. Work the grease into the hood lock mechanism until all the movable surfaces are covered.

Also, put a light coat of the same grease on the safety catch wherever moving parts touch.

For cold and snowy weather

N00942600102

Ventilation slots

The ventilation slots in front of the windshield should be brushed clear after a heavy snowfall so that the operation of the heating and ventilation systems will not be impaired.

Weatherstripping

To prevent freezing of the weatherstripping on the doors, engine hood, etc., they should be treated with silicone grease.

Additional equipment (For regions where snow is encountered)

It is a good idea to carry a shovel or a short-handled spade in the vehicle during the winter so that you can clear away snow if you get stranded. A small hand-brush for sweeping snow off the vehicle and a plastic scraper for the windshield, side and rear window are also useful.

Vehicle care and maintenance

Fusible links

N00942700291

The fusible links will melt to prevent a fire if a large current attempts to flow through certain electrical systems.

In case of a melted fusible link, see your authorized Mitsubishi Motors dealer or a repair facility of your choice for inspection and replacement.

For the fusible links, please refer to "Fuse load capacities" on page 7-42.

⚠ WARNING

- Fusible links must not be replaced by any other device. Failing to fit the correct fusible link may result in fire in the vehicle, property destruction and serious or fatal injuries at any time.

Vehicle care and maintenance

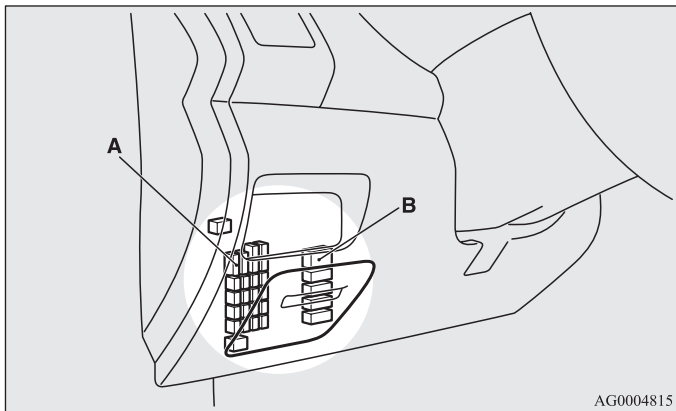
Fuses

N00942800827

Fuse block location

To prevent damage to the electrical system from short-circuiting or overloading, each individual circuit is equipped with a fuse. The fuse blocks are located in the passenger compartment and in the engine compartment.

Passenger compartment



7

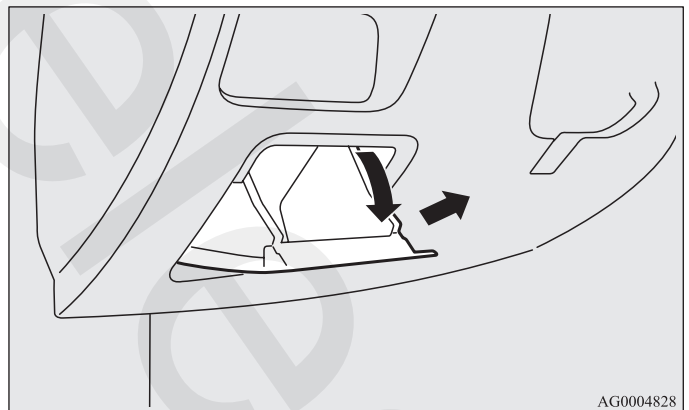
A- Main fuse block

B- Sub fuse block

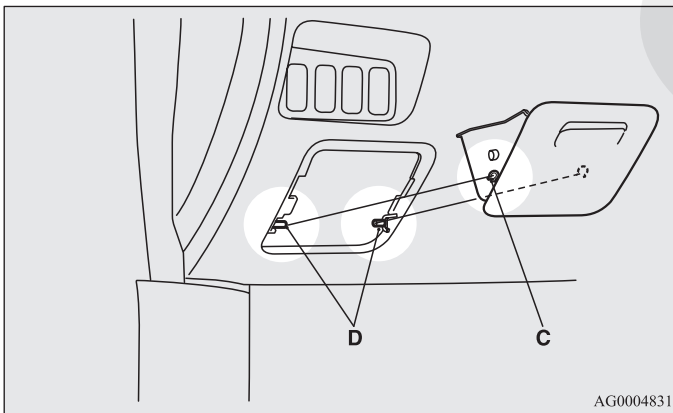
The fuse blocks in the passenger compartment are located behind the personal compartment.

Main fuse block

1. Open the personal compartment and pull to remove it.



2. To put back the personal compartment, line up the personal compartment hook (C) with the clamp (D) on the instrument panel and push the personal compartment back in.



AG0004831

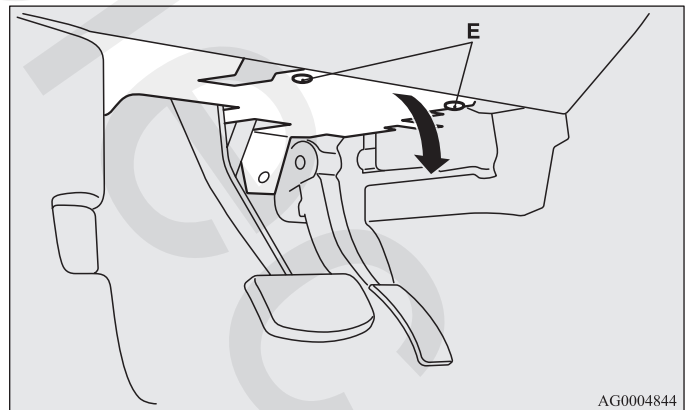
Vehicle care and maintenance

Sub fuse block

1. Remove the personal compartment in the same way that you would with the main fuse block.
2. Use the fuse remover to pry loose the 2 clips (E) on the bottom cover.

The remover is in the fuse block in the engine compartment.

Refer to "Fuse replacement" on page 7-46.



AG0004844

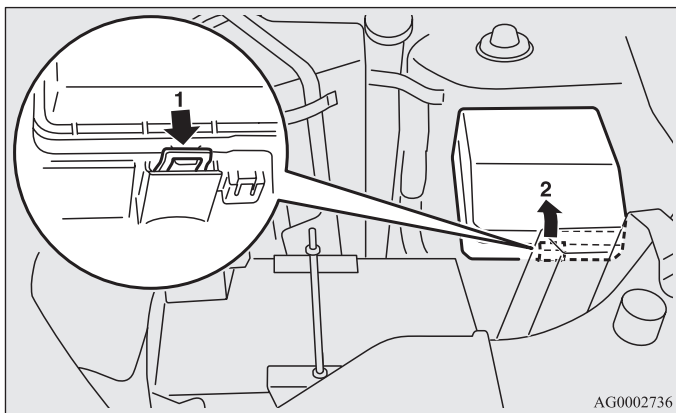
NOTE

- When finished, be sure to return the remover to the fuse block in the engine compartment.

Vehicle care and maintenance

Engine compartment

In the engine compartment, the fuse block is located as shown in the illustration.



- 1- Push the lock lever.
- 2- Remove the fuse block cover.

Fuse load capacities

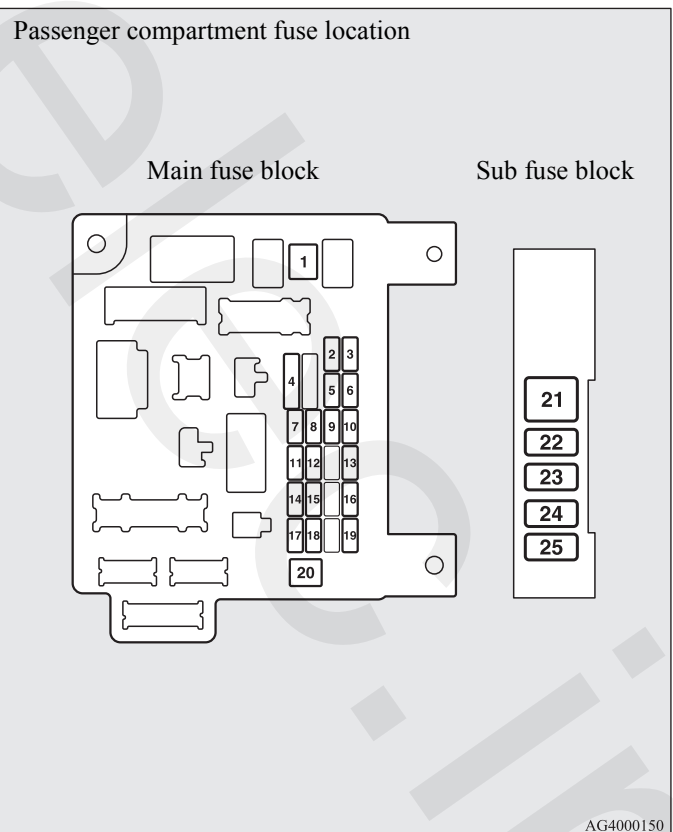
N00954800169

7

This fuse list shows the names of the electrical systems and their fuse capacities.


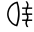




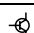






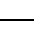
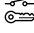

There are spare fuses in the fuse block cover in the engine compartment. Always replace a blown fuse with one of the same capacity as the original.

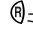


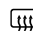



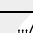
Passenger compartment fuse location table



AG4000150

Vehicle care and maintenance

No.	Symbol	Electrical system	Capacity
1		Heater	30 A*
2	STOP	Stop lights (Brake lights)	15 A
3		Rear fog light	10 A
4		Windshield wiper	30 A
5		Optional	10 A
6		Door locks	20 A
7		Radio	15 A
8		Control unit relay	7.5 A
9		Interior lights (Dome lights)	15 A
10		Hazard warning flasher	15 A
11		Rear window wiper	15 A
12		Gauges	7.5 A
13		Cigarette lighter /Accessory socket	15 A
14		Ignition Switch	10 A
15		Sunroof	20 A
16		Outside rearview mirrors	10 A
17		All-wheel drive system	10 A

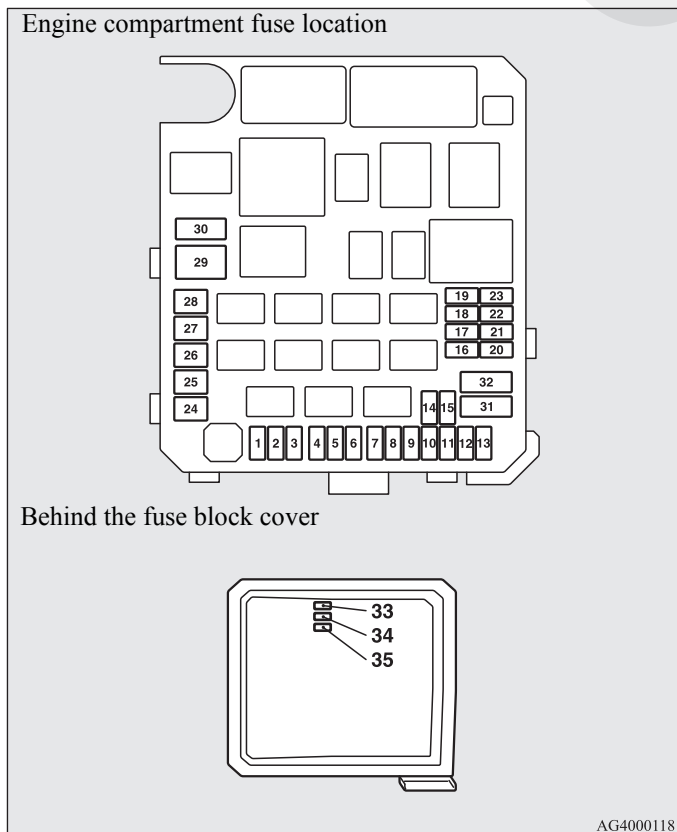
No.	Symbol	Electrical system	Capacity
18		Back-up lights	7.5 A
19		Accessory socket	15 A
20		Power window control	30 A*
21		Defogger	30 A*
22		Heated door mirror	7.5 A
23		115V Power Outlet	15 A
24		Power seats	25 (20) A
25		Heated seats	30 A

*: Fusible link

- Some fuses may not be installed on your vehicle, depending on the vehicle model or specifications.
- The table above shows the main equipment corresponding to each fuse.

Vehicle care and maintenance

Engine compartment fuse location table



No.	Symbol	Electrical system	Capacity
1		Front fog lights	15 A
2		Engine	7.5 A
3		Automatic transaxle	20 A
4		Horn	10 A
5		Alternator	7.5 A
6		Headlight washer	20 A
7		Air conditioning	10 A
8		ETV/Oil cooler fan (Twin Clutch SST)	15 A
9		Security horn	20 A
10		Wiper deicer	15 A
11	—	—	—
12		Power gate	30 A
13		Daytime running lights	10 A
14		Headlight (high beam) (left)	10 A
15		Headlight (high beam) (right)	10 A
16		Headlight (low beam) (left)	Discharge 20 A

Vehicle care and maintenance

No.	Symbol	Electrical system		Capacity
17		Headlight (low beam) (right)	Discharge	20 A
18		Headlight (low beam) (left)	Halogen	10 A
19		Headlight (low beam) (right)	Halogen	10 A
20		ENG/POWER		10 A
21		Ignition coil		10 A
22		ENG/POWER		20 A
		Fuel line heater		25 A
23		Fuel pump		15 A
24		Starter		30 A*
25	—	—		—
26		Anti-lock braking system		40 A*
27		Anti-lock braking system		30 A*
28		Air conditioning condenser fan motor		30 A*
29		Radiator fan		40 A*
30	IOD	IOD		30 A
31		Audio amplifier		30 A

No.	Symbol	Electrical system	Capacity
32		Diesel	30 A
33	—	Spare fuse	10 A
34	—	Spare fuse	15 A
35	—	Spare fuse	20 A

*: Fusible link

- Some fuses may not be installed on your vehicle, depending on the vehicle model or specifications.
- The table above shows the main equipment corresponding to each fuse.

There are no 7.5 A, 25 A or 30 A spare fuses. If a fuse of one of these capacities blows, replace it temporarily by borrowing one of the fuses indicated below.

7.5 A: 10 A spare fuse

25 A: 20 A spare fuse

30 A: 30 A audio amplifier fuse

Replace the borrowed fuse with a fuse that has the correct capacity as soon as possible.

Vehicle care and maintenance

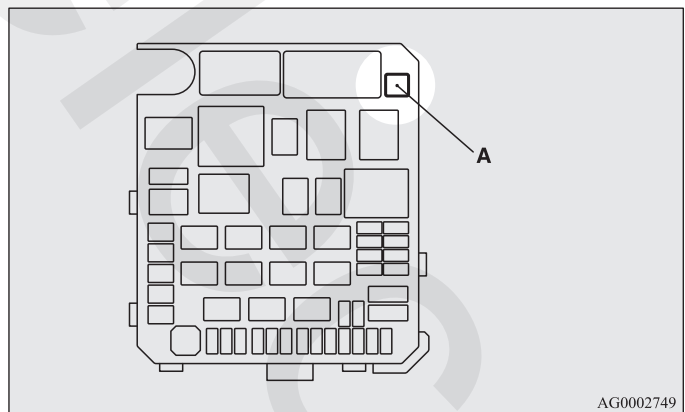
Identification of fuse

Capacity	Color
7.5 A	Brown
10 A	Red
15 A	Blue
20 A	Yellow
25 A	Natural (white)
30 A	Green (fuse type) / Pink (fusible link type)
40 A	Green (fusible link type)

Fuse replacement

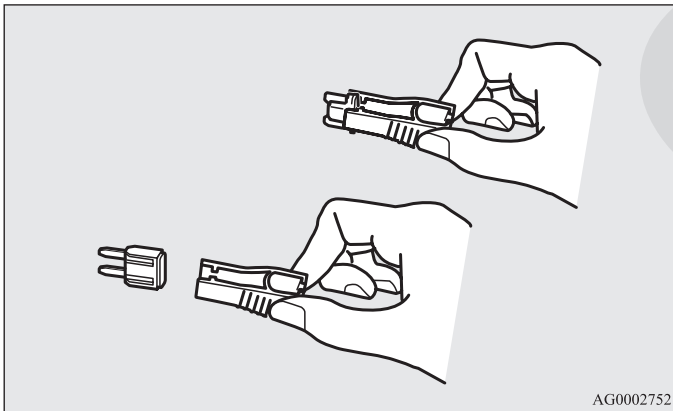
N00954900014

1. Before replacing a fuse, always turn off the electrical item connected to the fuse and turn the ignition switch to the "LOCK" position.
2. There is a fuse remover (A) in the engine compartment fuse block.



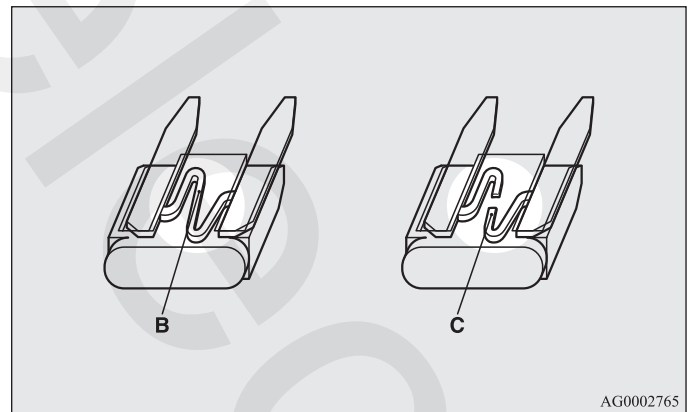
AG0002749

3. Clamp it on the fuse you wish to remove, and pull the fuse straight out from the fuse block.



Vehicle care and maintenance

4. Use the fuse location diagrams and the matching tables, to check the fuse that is related to the problem. If the fuse is not blown, something else must be causing the problem. Have the system inspected by your authorized Mitsubishi Motors dealer or a repair facility of your choice.



- B- Fuse is OK
- C- Blown fuse

Vehicle care and maintenance

5. Insert a new fuse of the same capacity securely into the appropriate slot.

⚠ CAUTION

- Never use a fuse with a capacity greater than the one listed or any substitute, such as wire, foil etc. This would cause the circuit wiring to heat up and could cause a fire.
- If the replacement fuse blows again after a short time, have the electrical system checked by an authorized Mitsubishi Motors dealer or a repair facility of your choice to find and correct the cause.

Replacement of light bulbs

N00942900310

Before replacing the bulb, be sure the light is off. Do not touch the glass part of the new bulb with your bare fingers; the oil from your skin will stay on the glass and dim or destroy the bulb when it gets hot.

⚠ CAUTION

- Bulbs are extremely hot immediately after being turned off.
When replacing the bulb, wait for it to cool sufficiently before touching it. You could otherwise be burned.

NOTE

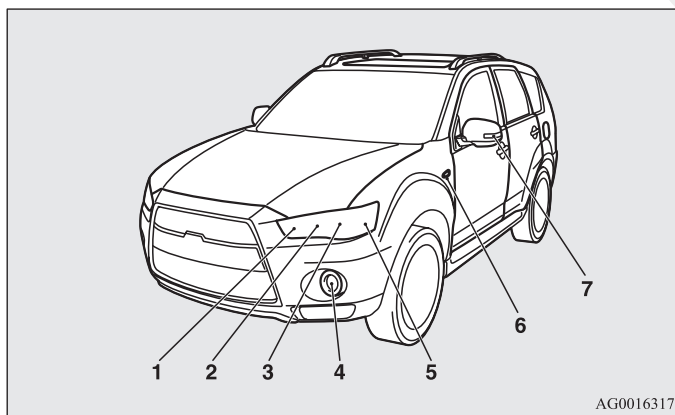
- If you are unsure of how to carry out the work as required, it is recommended that these procedures be carried out by an authorized Mitsubishi Motors dealer or a repair facility of your choice.
- Be careful not to scratch the vehicle body when removing a light and lens.
- When it rains, or when the vehicle has been washed, the inside of the lens sometimes becomes temporarily foggy. This is the same phenomenon as when window glass mists up on a humid day, and does not indicate a functional problem.
When the light is switched on, the heat will remove the fog. However, if water gathers inside the light, please have it checked by an authorized Mitsubishi Motors dealer or a repair facility of your choice.

Vehicle care and maintenance

Bulb capacity

The bulb should only be replaced with a new bulb with the same rating and type. The type and rating are listed on the base of the bulb.

Outside



[For vehicles without high intensity discharge headlights]

Description	Wattage	ANSI Trade No. or Bulb type
1- Front turn signal light	21 W	WY21W
2- Headlight, high beam	60 W	9005 HB3
3- Headlight, low beam	51 W	9006 HB4
4- Front fog light (if so equipped)	55 W	H11
5- Front side-marker and parking light	5 W	WY5W
6- Side turn signal light (on fender) (if so equipped)	5 W	—
7- Side turn signal light (on outside rearview mirror) (if so equipped)	—	—

Vehicle care and maintenance

[For vehicles equipped with high intensity discharge headlights]

Description	Wattage or Candle power	ANSI Trade No. or Bulb type
1- Front turn signal light	21 W	WY21W
2- Daytime running light	27 W 32 cp	1156
3- Headlight, low/high beam (Discharge bulb)	35 W	—
4- Front fog light (if so equipped)	55 W	H11
5- Front side-marker and parking light	5 W	WY5W
7- Side turn signal light (on outside rearview mirror)	—	—

⚠ WARNING

- Check with an authorized Mitsubishi Motors dealer or a repair facility of your choice when it is necessary to repair a high intensity discharge headlight or to replace the bulb.
The power circuit, bulb and electrodes generate high voltages that may cause a severe shock.

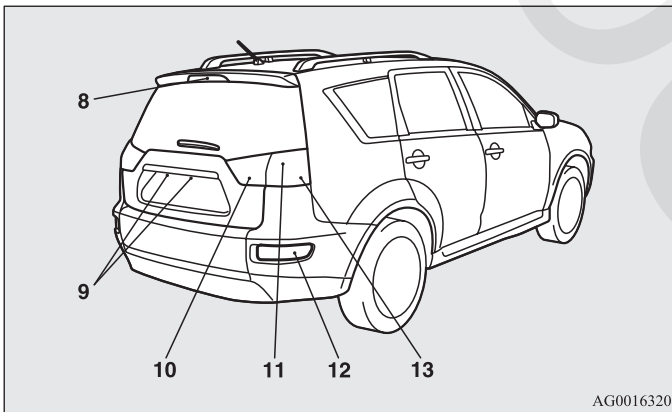
NOTE

- The side turn signal light (on outside rearview mirror) use an LED instead of the bulb. Check with an authorized Mitsubishi Motors dealer or repair facility of your choice when either light needs to be repaired or replaced.
- It is not possible to repair or replace only the bulb for the side turn signal light (on fender).
Check with an authorized Mitsubishi Motors dealer or a repair facility of your choice when the light needs to be repaired or replaced.

Vehicle care and maintenance

Compartment

N00950400620

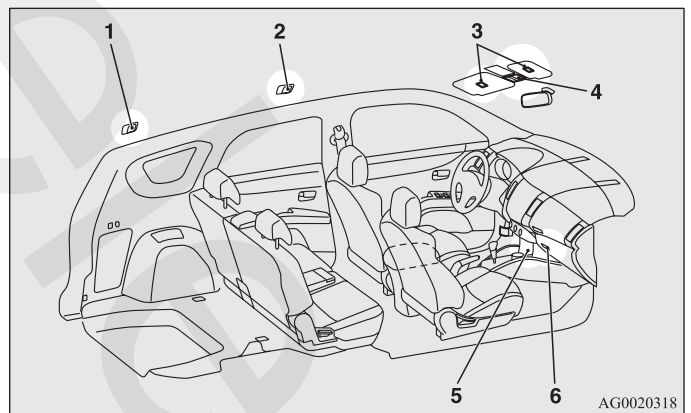


AG0016320

Item	Wattage	ANSI trade No. or bulb type
8 - High-mounted stop light	—	—
9 - License plate light	5 W	W5W
10 - Back-up light	21 W	7440
11 - Tail and stop light	—	—
12 - Rear side-marker light	5 W	W5W
13 - Rear turn signal light	21 W	WY21W

NOTE

- The tail and stop light and the high-mounted stop light use an LED instead of the bulb. Check with an authorized Mitsubishi Motors dealer or repair facility of your choice when either light needs to be repaired or replaced.



AG0020318

Item	Wattage
1 - Cargo room light	8 W
2 - Dome light (rear)	8 W
3 - Vanity mirror lights	2 W
4 - Dome light (front)/Reading light	8 W
5 - Center console down light	—
6 - Lower glove compartment light	1.4 W

Vehicle care and maintenance

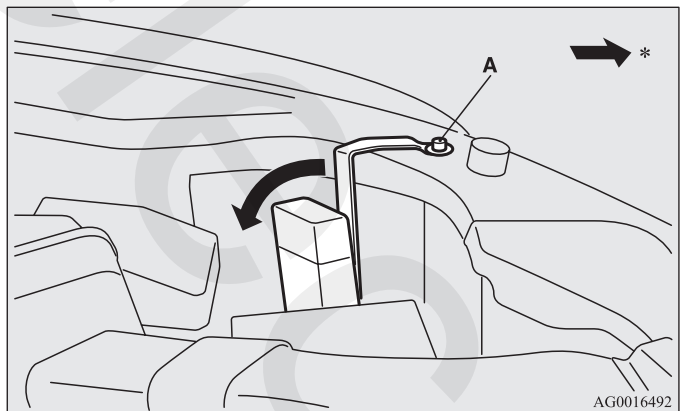
NOTE

- The center console down light uses an LED instead of the bulb. Check with an authorized Mitsubishi Motors dealer or a repair facility of your choice when the light needs to be repaired or replaced.

Headlights (low beam, except for vehicles equipped with high intensity discharge headlights)

N00901800118

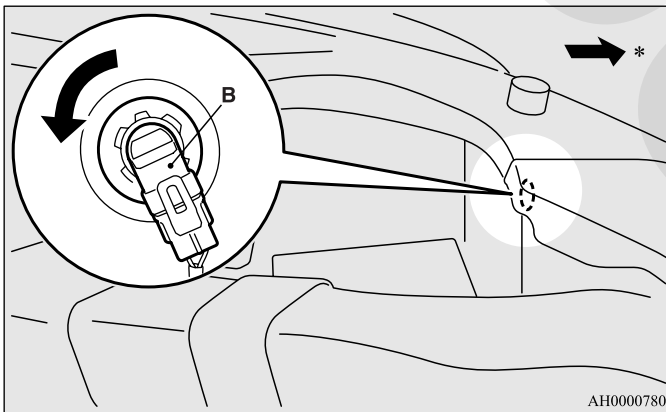
1. When replacing the bulb on the driver's side (3.0 liter models only) remove the bolt (A) holding down the relay box and move the relay box toward the rear of the vehicle.



*- Front of the vehicle

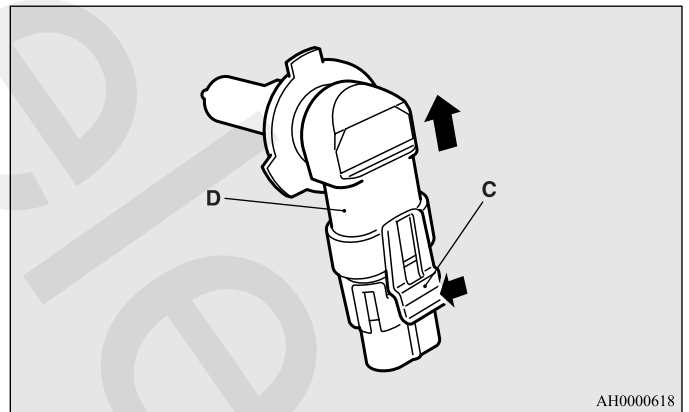
Vehicle care and maintenance

2. Turn the bulb (B) counterclockwise to remove it.



*- Front of the vehicle

3. While holding down the tab (C), pull out the socket (D).

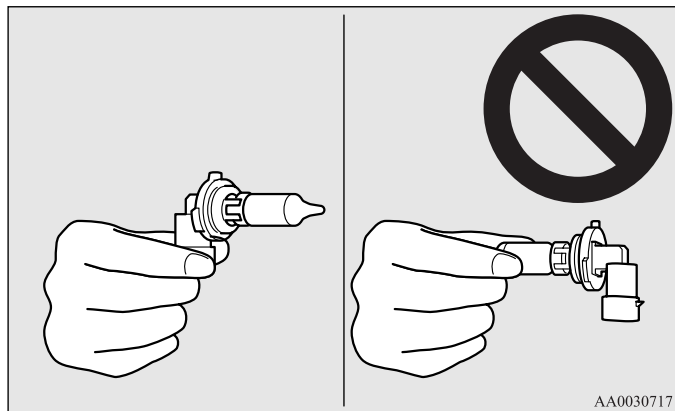


4. To install the bulb, perform the removal steps in reverse.

Vehicle care and maintenance

⚠ CAUTION

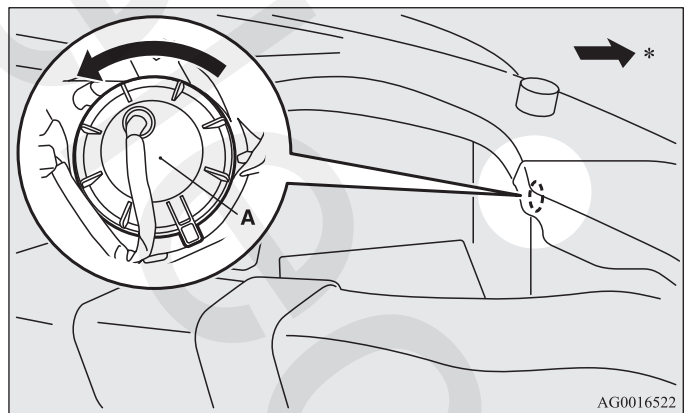
- Handle halogen light bulb with care. The gas inside a halogen light bulb is highly pressurized, so dropping, knocking, or scratching a halogen light bulb can cause it to shatter.
- Never hold the halogen light bulb with a bare hand, dirty glove, etc.
The oil from your hand could cause the bulb to break the next time the headlights are used.
If the glass surface is dirty, clean it with alcohol and let it dry completely before installing the bulb.



Headlights (high beam, except for vehicles equipped with high intensity discharge headlights)

N00901900089

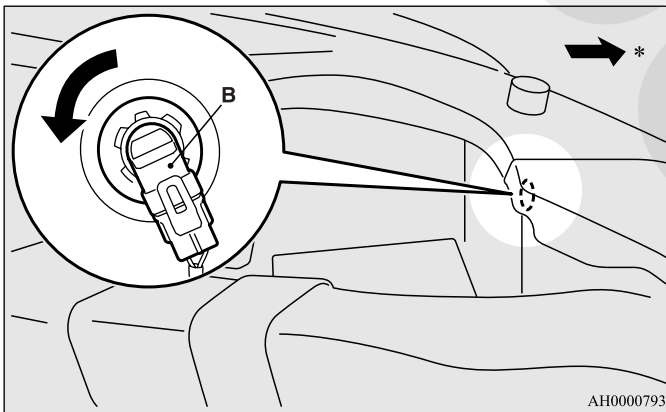
1. Turn the cap (A) counterclockwise to remove it.



*- Front of the vehicle

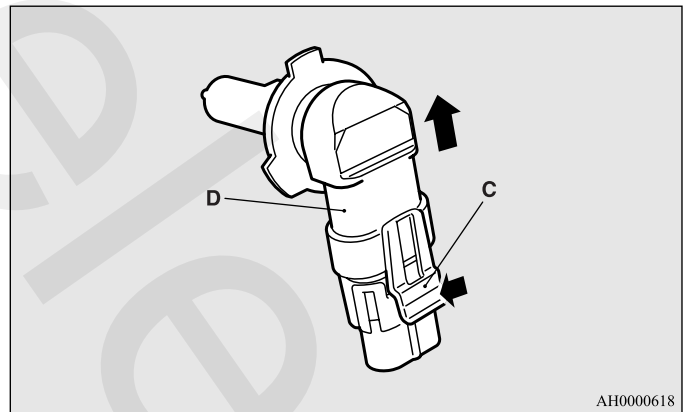
Vehicle care and maintenance

2. Turn the bulb (B) counterclockwise to remove it.



*- Front of the vehicle

3. While holding down the tab (C), pull out the socket (D).

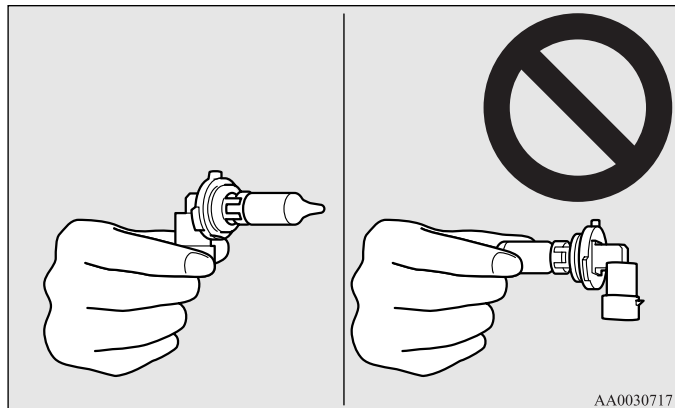


Vehicle care and maintenance

4. To install the bulb, perform the removal steps in reverse.

⚠ CAUTION

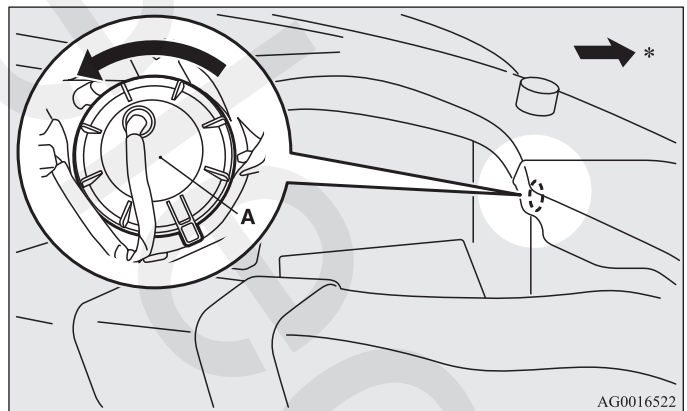
- Handle halogen light bulb with care. The gas inside a halogen light bulb is highly pressurized, so dropping, knocking, or scratching a halogen light bulb can cause it to shatter.
- Never hold the halogen light bulb with a bare hand, dirty glove, etc.
The oil from your hand could cause the bulb to break the next time the headlights are used.
If the glass surface is dirty, clean it with alcohol and let it dry completely before installing the bulb.



Daytime running lights (for vehicles equipped with high intensity discharge headlights)

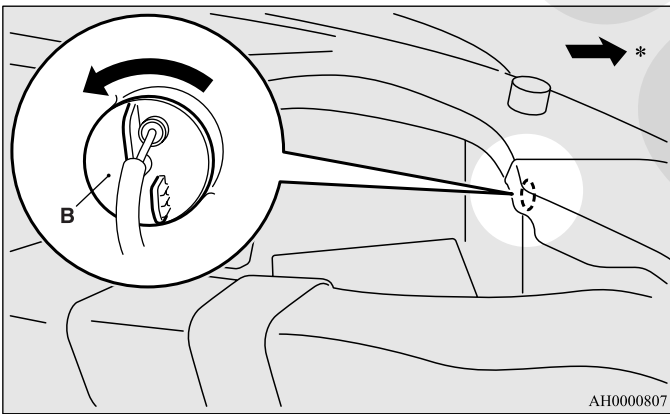
N0090200058

1. Turn the cap (A) counterclockwise to remove it.



*- Front of the vehicle

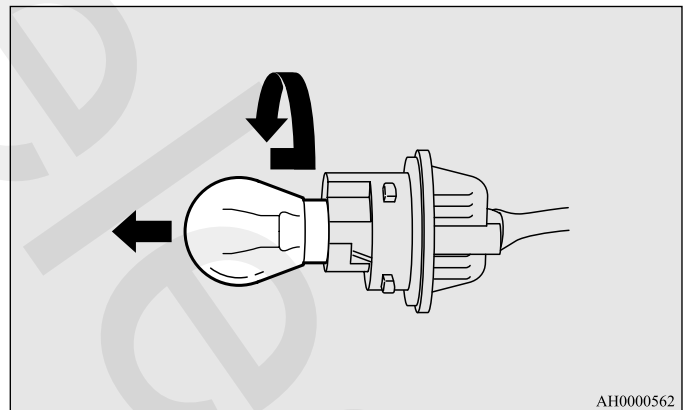
2. Turn the socket (B) counterclockwise to remove it.



*- Front of the vehicle

Vehicle care and maintenance

3. Turn the bulb counterclockwise while pressing it and pull it out of the socket.



4. To install the bulb, perform the removal steps in reverse.

Vehicle care and maintenance

Headlights (low/high beam, for vehicles equipped with high intensity discharge headlights)

N00900300073

Do not attempt to disassemble or repair headlights, and do not attempt to replace their bulbs.

⚠ WARNING

- A high voltage is present in the power circuit and in the bulbs and bulb terminals. To avoid the risk of an electric shock, contact an authorized Mitsubishi dealer whenever repair or replacement is necessary.

Adjustment of headlight aim

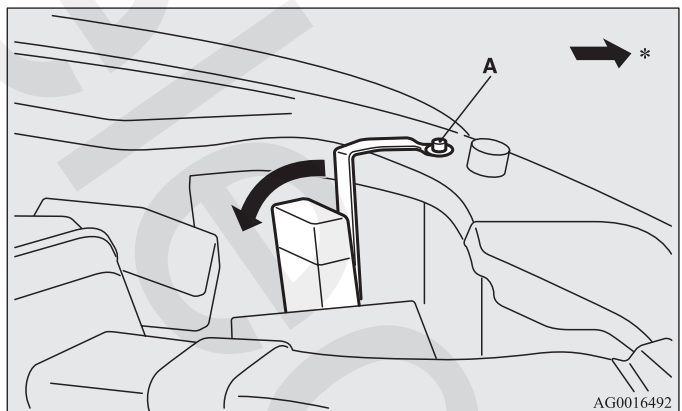
N00943200121

The alignment of the headlights should be checked by an authorized Mitsubishi Motors dealer or a repair facility of your choice.

Front side-marker and parking lights

N00917300408

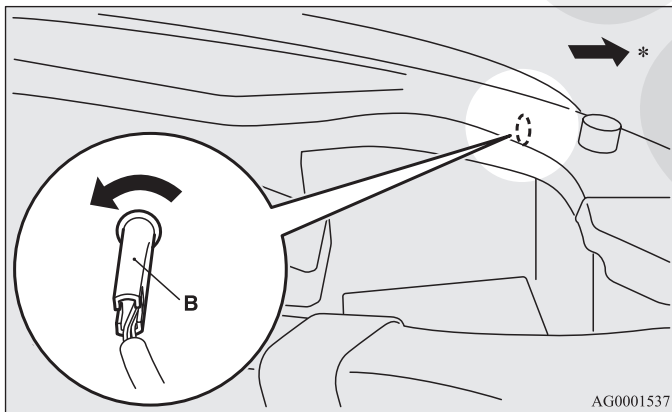
1. When replacing the bulb on the driver's side (3.0 liter models only) remove the bolt (A) holding down the relay box and move the relay box toward the rear of the vehicle.



*- Front of the vehicle

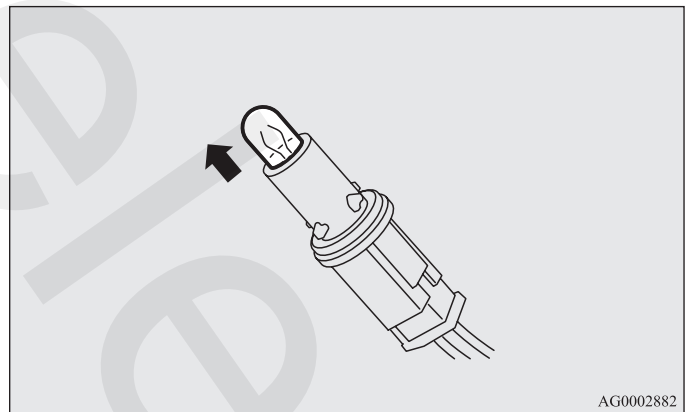
Vehicle care and maintenance

2. Turn the socket (B) counterclockwise to remove it.



*- Front of the vehicle

3. Pull the bulb out of the socket.



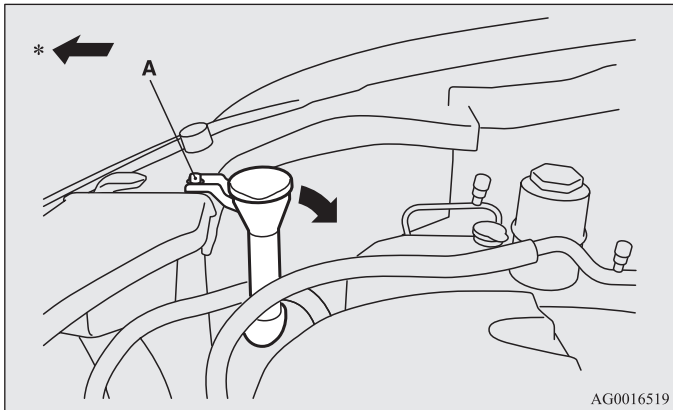
4. To install the bulb, perform the removal steps in reverse.

Vehicle care and maintenance

Front turn signal lights

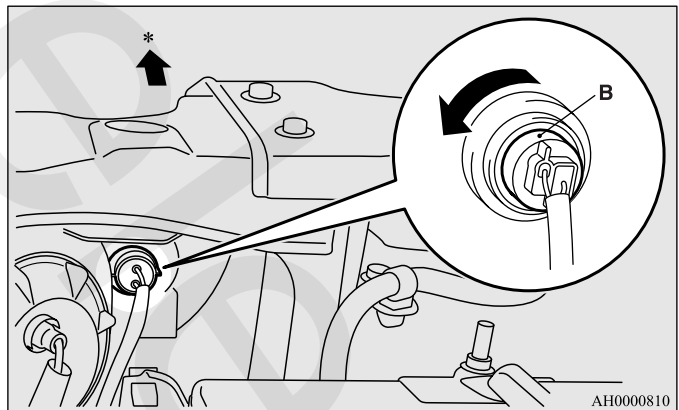
N00943400354

1. When replacing the bulb on the front passenger's side, remove the bolt (A) holding down the washer fluid reservoir spout and move the spout toward the rear of the vehicle.



*- Front of the vehicle

2. Turn the socket (B) counterclockwise to remove it.



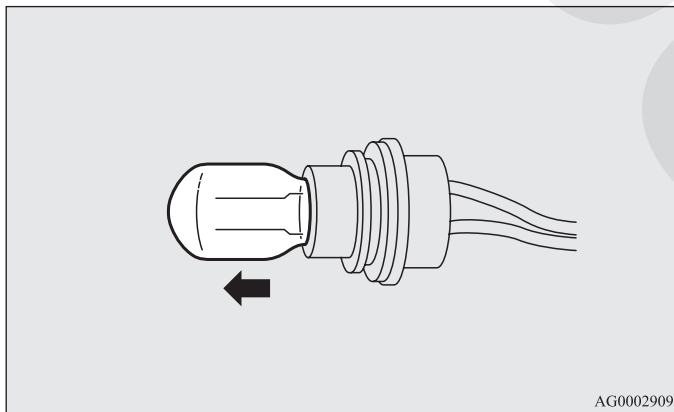
*- Front of the vehicle

Vehicle care and maintenance

Side turn signal lights (on fender) (if so equipped)

N00943500111

3. Pull the bulb out of the socket.



NOTE

- It is not possible to repair or replace only the bulb for the side turn-signal light. Check with an authorized Mitsubishi Motors dealer or a repair facility of your choice when the light needs to be repaired or replaced.

4. To install the bulb, perform the removal steps in reverse.

Vehicle care and maintenance

Side turn signal lights (on outside rearview mirror) (if so equipped)

N00943500124

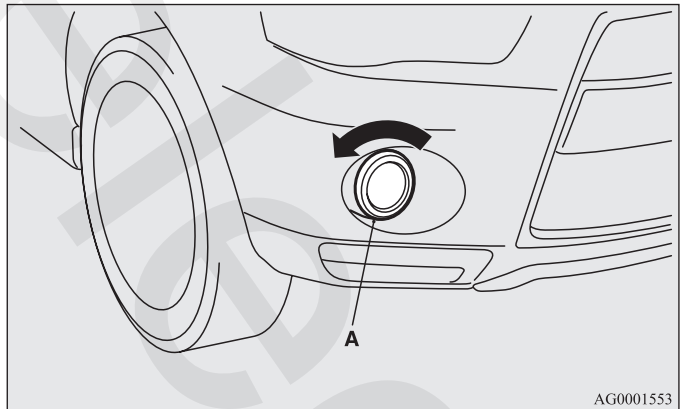
NOTE

- The side turn signal lights (on outside rearview mirror) uses an LED instead of the bulb. Check with an authorized Mitsubishi Motors dealer or a repair facility of your choice when the light needs to be repaired or replaced.

Front fog lights (if so equipped)

N00943600633

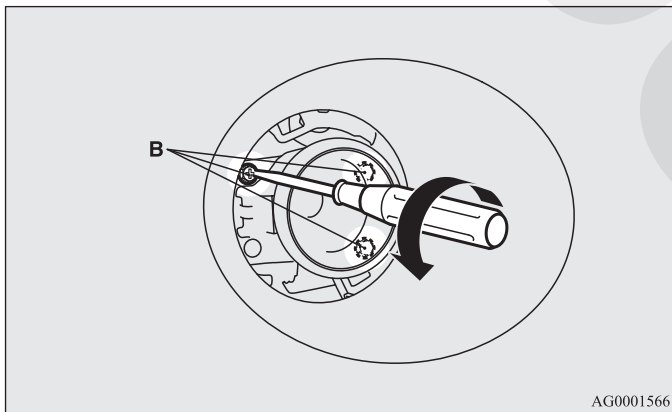
1. Turn the bezel (A) counterclockwise to remove it.



*- Front of the vehicle

Vehicle care and maintenance

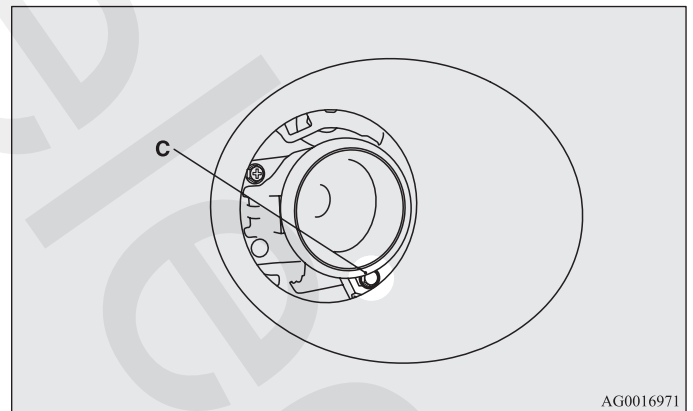
2. Remove the 3 screws (B) and remove the light unit.



*- Front of the vehicle

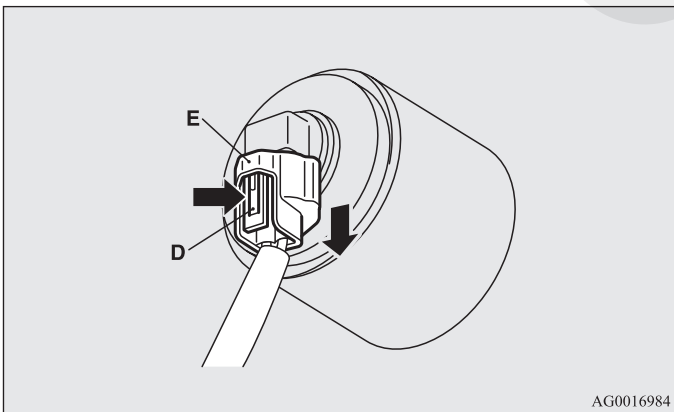
NOTE

- When unfastening the screws, be careful not to move the beam position adjustment screw (C).

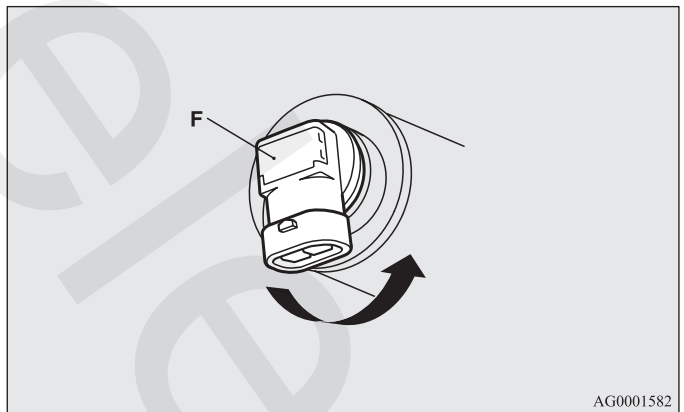


Vehicle care and maintenance

3. While holding down the tab (D), pull out the socket (E).



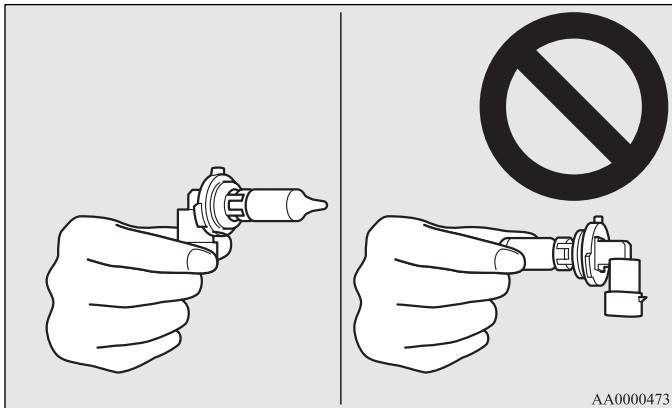
4. Turn the bulb (F) counterclockwise to remove it.



5. To install the bulb, perform the removal steps in reverse.

⚠ CAUTION

- Handle halogen light bulb with care. The gas inside a halogen light bulb is highly pressurized, so dropping, knocking, or scratching a halogen light bulb can cause it to shatter.
- Never hold the halogen light bulb with a bare hand, dirty glove, etc. The oil from your hand could cause the bulb to break the next time the fog lights are used.
If the glass surface is dirty, clean it with alcohol and let it dry completely before installing the bulb.

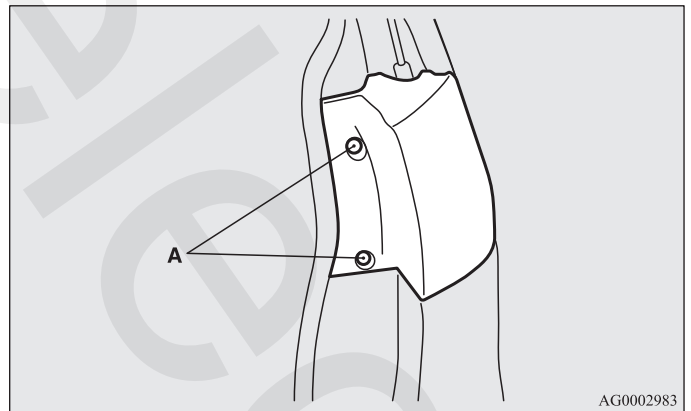


Vehicle care and maintenance

Rear combination lights

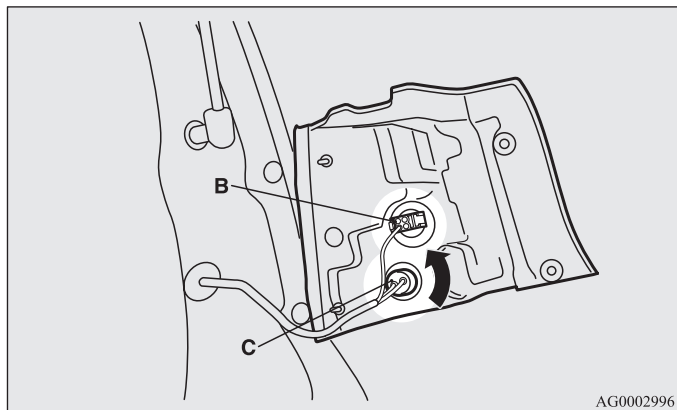
N00943700432

1. Remove the screws (A) that hold the light unit and remove the light unit.



Vehicle care and maintenance

2. Turn the socket and bulb assembly counterclockwise to remove it.



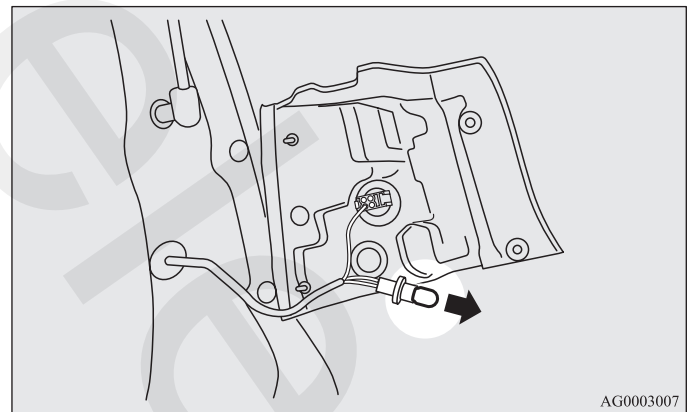
B- Tail and stop light (LED) - cannot be replaced

C- Rear turn-signal light

NOTE

- The tail and stop light uses an LED instead of the bulb. Check with an authorized Mitsubishi Motors dealer or a repair facility of your choice when the light needs to be repaired or replaced.

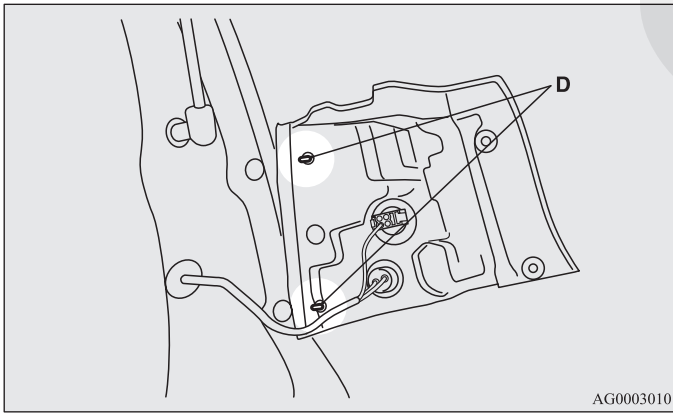
3. Pull the bulb out of the socket.



4. To install the bulb, perform the removal steps in reverse.

NOTE

- When mounting the light unit, align the clips (D) on the light unit with the hole in the body.

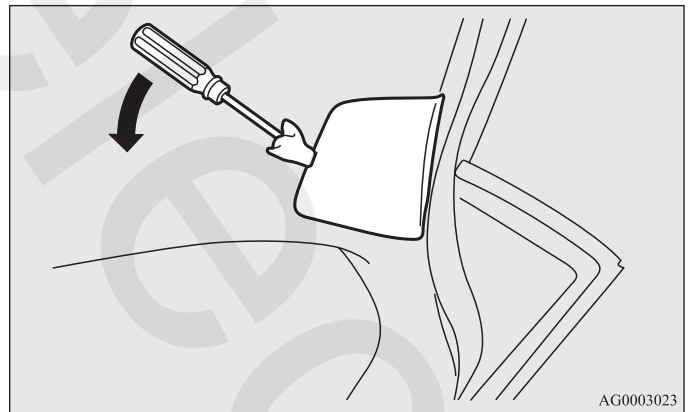


Vehicle care and maintenance

Back-up lights

N00929100041

1. Open the tailgate.
2. Insert a screwdriver into the notch of the cover and pry gently to remove the cover.

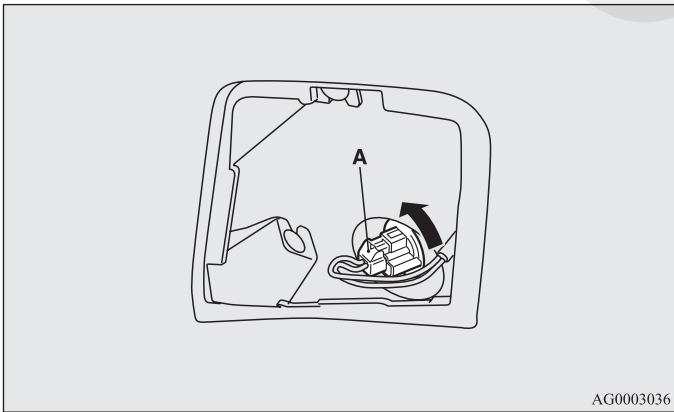


NOTE

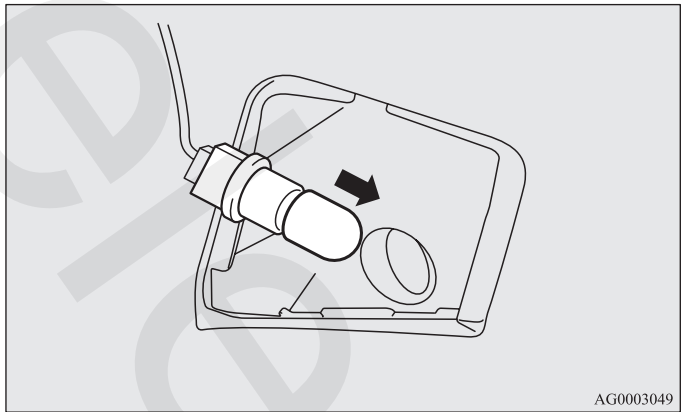
- Wrap a cloth around the tip of the screwdriver to keep from scratching the cover.

Vehicle care and maintenance

3. Turn the socket (A) counterclockwise to remove it.



4. Pull the bulb out of the socket.



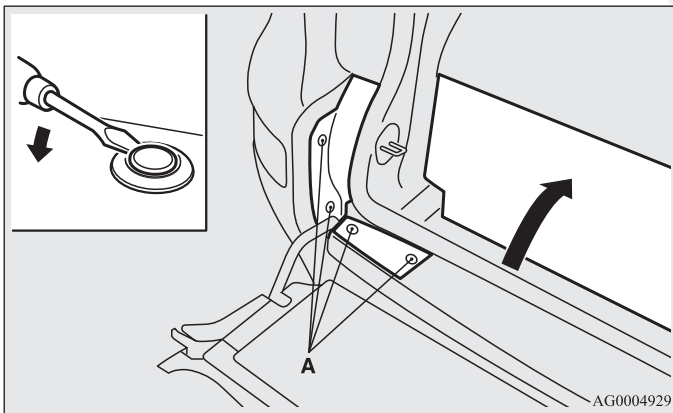
5. To install the bulb, perform the removal steps in reverse.

Vehicle care and maintenance

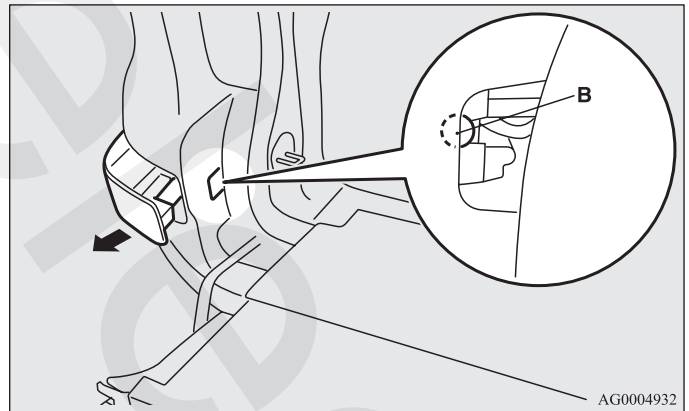
Rear side-marker lights

N00935400094

1. Open the lower gate and pull back the cover between the passenger compartment and the lower gate.
2. Remove the cover after you remove each of the 4 clips (A) by inserting a screw driver into the clip groove and levering it toward the vehicle body.

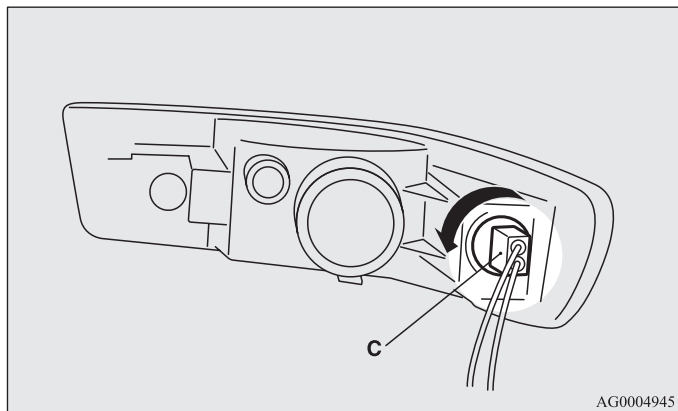


3. Remove the light mounting screw (B) and remove the light unit.



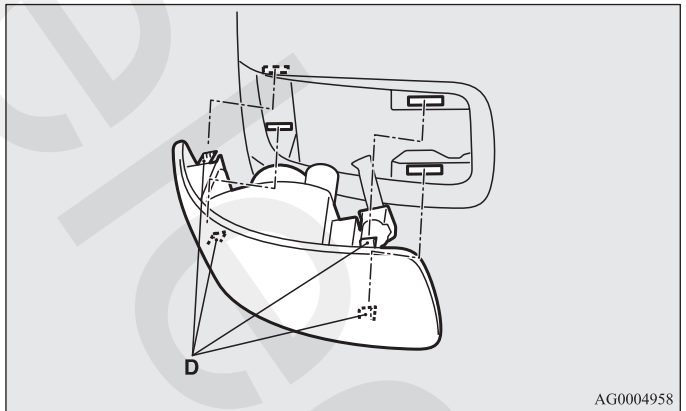
Vehicle care and maintenance

4. Remove the socket and bulb assembly (C) together by turning it counterclockwise, and then remove the bulb by pulling it out.



NOTE

- When mounting the light unit, align the pins (D) on the light unit with the hole in the body.



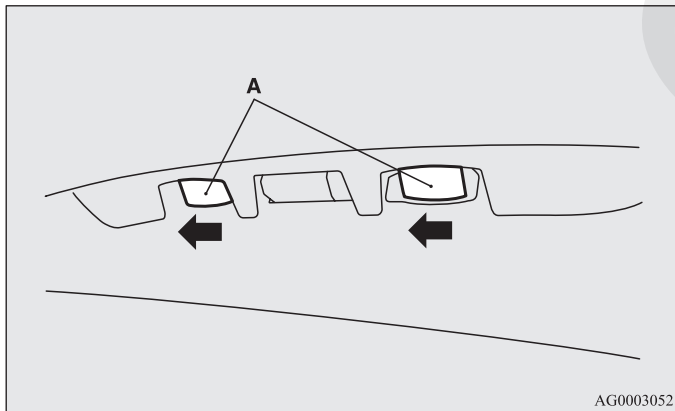
5. To install the bulb, perform the removal steps in reverse.

Vehicle care and maintenance

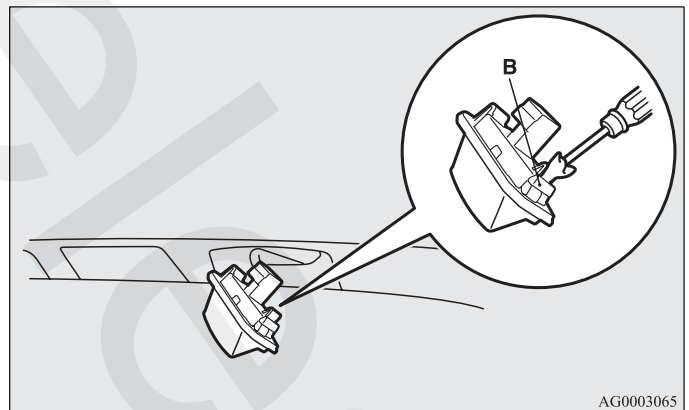
License plate lights

1. When removing the light unit (A), push it toward the left side of the vehicle body.

N00944000360



2. Use a screw driver to gently pry up the tab (B) and remove the lens.

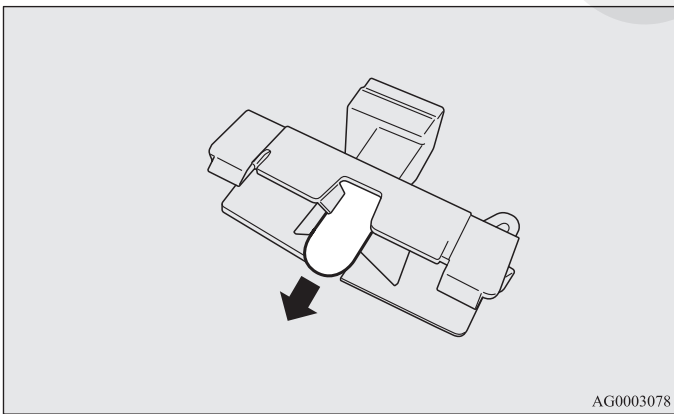


NOTE

- Wrap a cloth around the tip of the screwdriver to keep from scratching the lens.

Vehicle care and maintenance

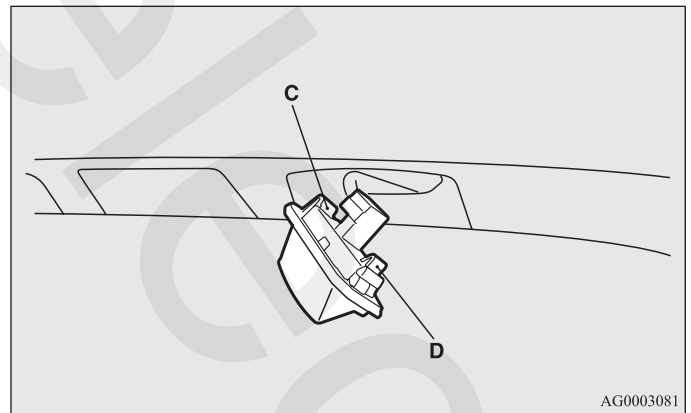
3. Pull the bulb out of the socket.



4. To install the bulb, perform the removal steps in reverse.

NOTE

- When mounting the light unit, insert tab (C) first then align tab (D) with its hole.



High-mounted stop light

N00943900102

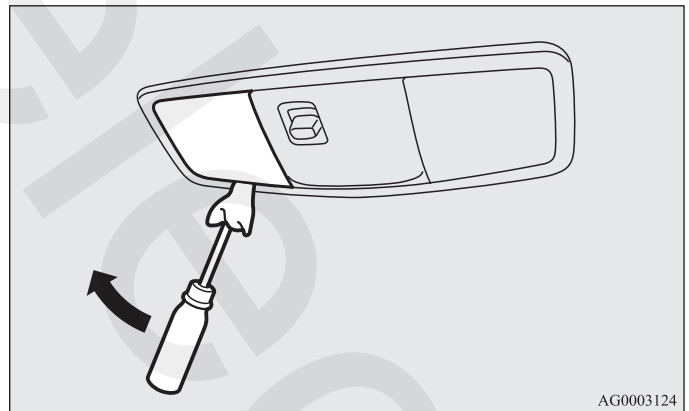
NOTE

- The high-mounted stop light uses an LED instead of the bulb. Check with an authorized Mitsubishi Motors dealer or a repair facility of your choice when the light needs to be repaired or replaced.

Dome light (front)/Reading lights

N00944500251

1. Insert a screwdriver into the notch of the light assembly. Gently pry to remove the lens.

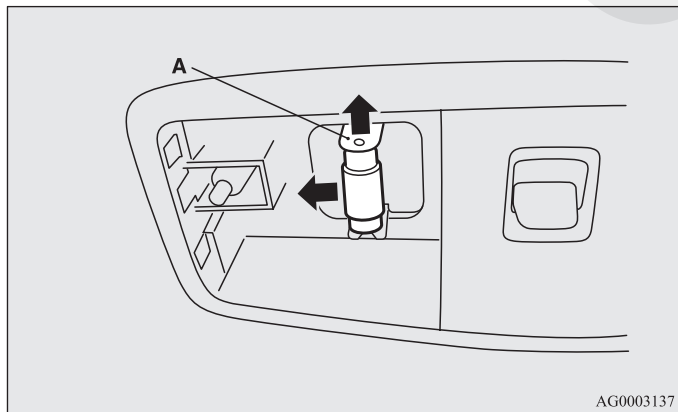


NOTE

- Wrap a cloth around the tip of the screwdriver to keep from scratching the lens.

Vehicle care and maintenance

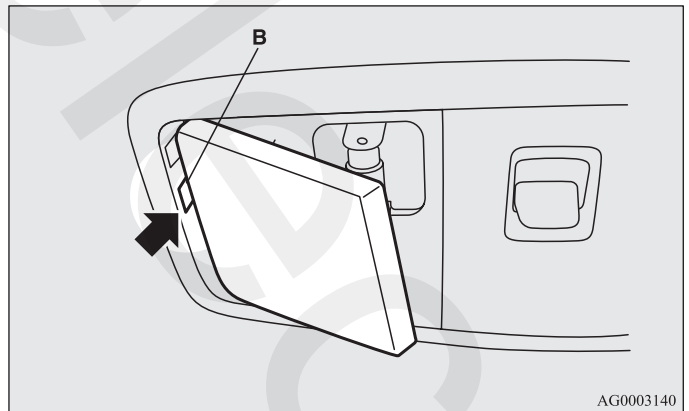
2. While holding down the tab (A), pull out the bulb.



3. To install the bulb, perform the removal steps in reverse.

NOTE

- Before replacing the bulb, put the dome light (front)/reading lights switch into the “OFF” position.
- When mounting the lens, align the tab (B) with the hole on the vehicle body.

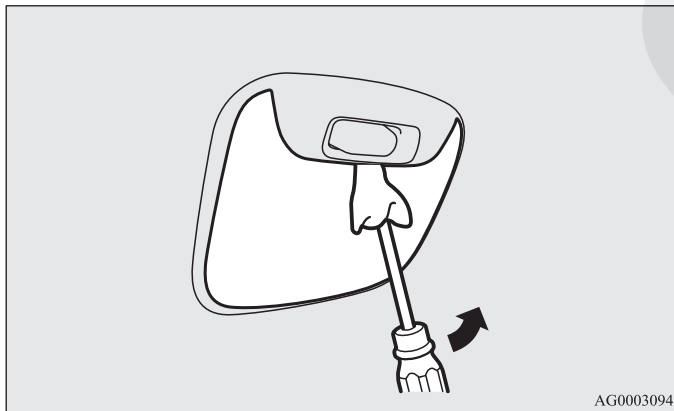


Vehicle care and maintenance

Dome light (rear)/ Cargo room light

N00944100316

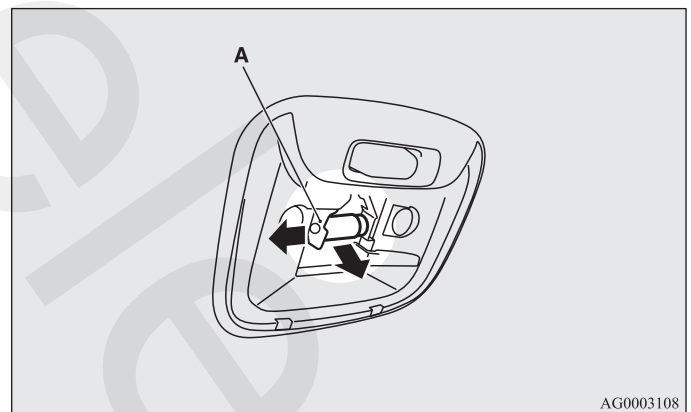
1. Insert a screwdriver into the notch of the light assembly and pry gently to remove the lens.



NOTE

- Wrap a cloth around the tip of the screwdriver to keep from scratching the lens.

2. While holding down the tab (A), pull out the bulb.

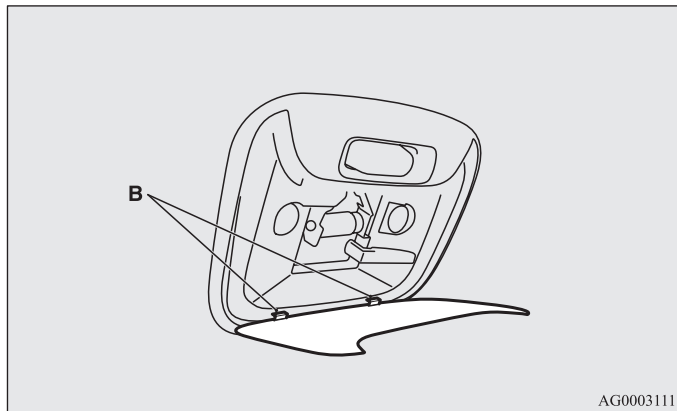


Vehicle care and maintenance

3. To install the bulb, perform the removal steps in reverse.

NOTE

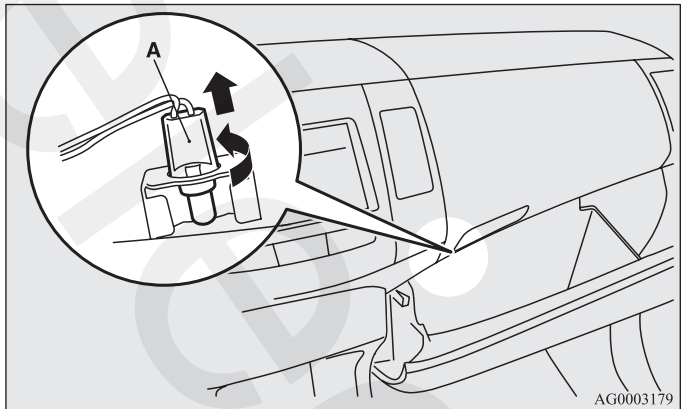
- Before replacing the bulb, put the dome light (rear)/cargo room light switch into the "OFF" position.
- When mounting the lens, align the tabs (B) with the holes on the vehicle body.



Glove compartment light

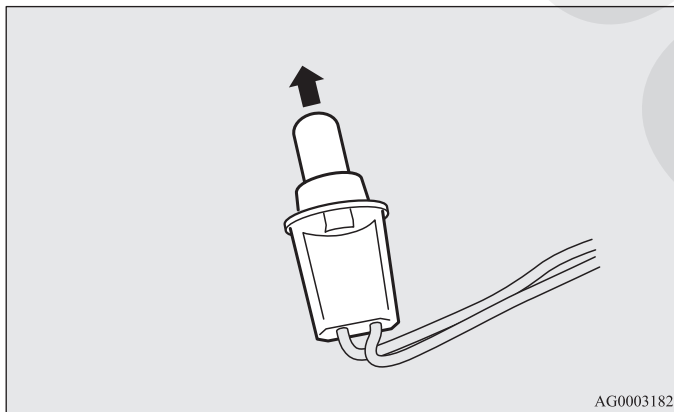
N00954200062

1. Turn the socket (A) counterclockwise to remove it.



Vehicle care and maintenance

2. Pull out the bulb.

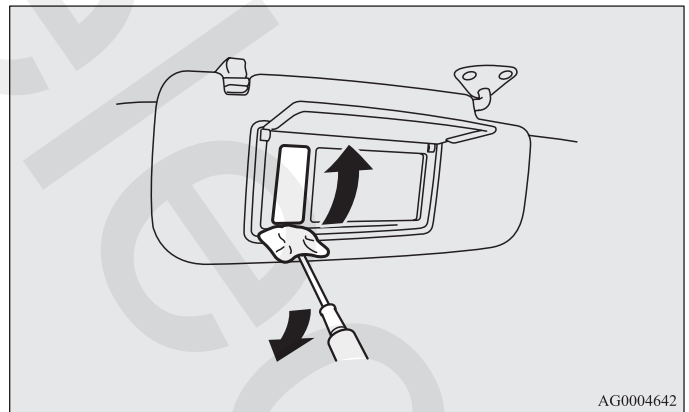


3. To install the bulb, perform the removal steps in reverse.

Vanity mirror lights

N00952800080

1. Insert the tip of a screwdriver at the edge of the lens, pry gently to remove the lens, and then remove the bulb from the light holder.



NOTE

● Wrap a cloth around the tip of the screwdriver to keep from scratching the lens.

2. To install the bulb, perform the removal steps in reverse.

Vehicle care and maintenance

Center console down light

N00954700025

NOTE

- The center console down light uses an LED instead of the bulb. Check with an authorized Mitsubishi Motors dealer or a repair facility of your choice when the light needs to be repaired or replaced.

Vehicle care precautions

N00945100166

In order to maintain the value of your vehicle, perform regular maintenance using the proper materials and procedures. Be sure to use only those materials and procedures that meet your local environmental pollution control regulations. Choose the materials you will use carefully, to be sure that they do not contain corrosives. If you are not sure, contact an authorized Mitsubishi Motors dealer for help in choosing these materials.

⚠ CAUTION

- **Cleaning products can be dangerous. Some are poisonous and others are highly flammable. Some are dangerous if you breathe their fumes in a closed space. When you use anything in a container to clean your vehicle, be sure to follow the instructions. Always open your vehicle doors or windows when you're cleaning the inside. Never use the following chemicals to clean your vehicle:**

- Gasoline
- Carbon Tetrachloride
- Benzine
- Kerosene
- Naphtha
- Acetone
- Turpentine
- Paint Thinner
- Lacquer Thinner
- Nail Polish Remover

These can all be dangerous, and they all can damage your vehicle.

Vehicle care and maintenance

Cleaning the inside of your vehicle

N00945200095

After washing the inside of your vehicle with any cleaner, wipe it dry in a shady, well ventilated area.

⚠ CAUTION

- Do not use organic substances (solvents, benzine, kerosene, alcohol, gasoline, etc.) or alkaline or acidic solutions.

These chemicals can cause discoloring, staining or cracking of the surface.

If you use cleaners or polishing agents, make sure their ingredients do not include the substances mentioned above.

NOTE

- Always read the instructions on the cleaner label.

Plastic, vinyl leather, fabric and flocked parts

N00945300155

1. Lightly wipe these off with a soft cloth soaked in a 3% solution of gentle soap and water.
2. To rinse, dip the cloth in fresh water, wring it out well, and wipe off all the soap.

Vehicle care and maintenance

NOTE

- Do not use cleaners, conditioners, and protectants containing silicones or wax. Such products, when applied to the instrument panels or other parts, may cause reflections on the windshield and obscure vision. Also, if such products get on the switches of the electrical accessories, it may lead to failure of these accessories.

Upholstery

N00945500128

1. To maintain the value of your new vehicle, maintain the upholstery carefully and keep the interior clean. Use a vacuum cleaner and brush to clean the seats. If stained, vinyl and synthetic leather should be cleaned with an appropriate cleaner. Cloth fabrics can be cleaned with either upholstery cleaner or a 3% solution of gentle soap in lukewarm water.
2. Clean the carpeting with a vacuum cleaner and remove any stains with carpet cleaner. Oil and grease can be removed by lightly dabbing with a clean white cloth and spot remover.

NOTE

- If fuzzing is difficult to remove from the seat upholstery, draw a suitable defuzzing brush over the surface in one direction.

Genuine leather (if so equipped)

N00945600187

1. To clean, lightly wipe the leather with a soft cloth soaked in a 5% solution of gentle soap and water.
2. To rinse, dip the cloth in fresh water, wring it out well, and wipe off all the soap.
3. To preserve and protect, use a leather protecting agent on the genuine leather surface.

NOTE

- If genuine leather is wet with water, wipe it with a dry, soft cloth. If left damp, mildew may grow.
- The genuine leather surface can be damaged if brushed with a nylon or synthetic fiber brush.
- Organic solvents such as benzine, kerosene, alcohol, gasoline, or acid or alkaline solvents can discolor the genuine leather surface and should not be used.
- Genuine leather can mildew if not kept clean. Clean up any oil stains immediately.
- The genuine leather surface may harden and shrink if it is exposed to the direct sunlight for long hours. When your vehicle is parked, place it in the shade as much as possible.
- When the temperature of the vehicle interior rises in summer, vinyl products left on the genuine leather seat may deteriorate and stick to the seat.

Cleaning the outside of your vehicle

N0094570058

To protect your vehicle's finish, wash it often and thoroughly. If desired, you may wax your vehicle using a nonabrasive automobile wax.

Foreign material

N0094580033

Industrial pollution, road tar, bird droppings, tree sap, insect remains, sea water and other foreign matters can damage the finish on your vehicle.

Generally, the longer any foreign material stays on the finish, the worse the damage. Wash your vehicle as soon as possible whenever the finish gets soiled.

Washing

N0094590052

Chemicals contained in the dirt and dust picked up from air, rain, snow, or road surfaces can damage the paint and body of your vehicle if left on.

Frequent washing and waxing is the best way to protect your vehicle from this damage.

Do not wash the vehicle in direct sunlight. Park the vehicle in the shade and spray it with water to remove dust. Next, using plenty of clean water and a car washing mitt or sponge, wash the vehicle from top to bottom.

Use a mild car washing soap if necessary. Rinse thoroughly and wipe dry with a chamois or soft cloth. After washing the vehicle, carefully clean the joints and flanges of the doors, hood, etc., where dirt is likely to remain.

⚠ CAUTION

- When washing the underside of your vehicle or the wheels, wear a pair of gloves to protect your hands.
- If your vehicle has rain sensor wipers, place the wiper switch lever in the "OFF" position to deactivate the rain sensor before washing the vehicle. Otherwise, the wipers will operate in the presence of water spray on the windshield and may get damaged as a result.
- Never spray or splash water on the electrical parts in the engine compartment. This may damage them. Be careful also when washing the underbody to ensure that water does not enter the engine compartment.
- Avoid automatic car washers that use rotating brushes. These brushes may scratch the paint surface and make it dull. Scratches are more noticeable on darker colored vehicles.
- Some hot water washing equipment uses high pressure and heat to clean your vehicle. Because hot water can damage plastics parts and seep inside your vehicle, make sure you do the following when using such equipment:
 - Keep the washing nozzle at least 16 inches (40 cm) away from the vehicle body.
 - When washing around the door glass, hold the nozzle at a distance of more than 20 inches (50 cm) and at a right angle to the glass surface.

Vehicle care and maintenance

CAUTION

- **Make sure to do the following when using an automatic car wash, with help from either this manual or the car wash operator, to avoid damaging your vehicle:**
 - **Fold the outside rearview mirrors.**
 - **Remove the antenna.**
 - **Tape or remove the rear wiper arm assembly.**
 - **If your vehicle is equipped with a rear spoiler or roof rails, check with the car wash operator before using the car wash.**
 - **If your vehicle is equipped with the rain sensor wipers, place the wiper switch lever in the "OFF" position to deactivate the rain sensor.**

During cold weather

Salt and other chemicals spread on winter roads in some geographical areas can have a detrimental effect on the vehicle underbody. You should flush the underbody with a high pressure hose every time you wash the outside of your vehicle. Take special care to remove mud or other debris which could trap and hold salt and moisture.

After washing your vehicle, wipe off all waterdrops from the rubber parts around the doors to prevent the doors from freezing.

7

NOTE

- When the door is frozen, opening it by force may tear off or crack the rubber gasket installed around the door. Pour warm water to melt the ice. Be sure to thoroughly wipe off the water after opening the door. To prevent freezing of the weatherstripping on the doors, hood, etc., treat with silicone lubricant.

Waxing

N00946000205

Wax your vehicle once or twice a year, or when water does not bead up on the paint.

Use a soft cloth to put a small amount of wax on the painted surfaces. After the wax has dried, polish with a dry soft cloth. Do not wax your vehicle in direct sunlight.

You should wax when the painted surfaces are cool.

CAUTION

- **Waxes containing high abrasive compounds should not be used. These waxes remove rust and stain effectively from the paintwork, but are harmful to the finish of the paint, because they also remove paint/clearcoat. They are also harmful to other glossy surfaces such as the grille, trim, moldings, etc.**
- **Do not use gasoline, benzine, kerosene or paint thinners to remove road tar or other dirt from the vehicle surface.**

⚠ CAUTION

- **Do not put wax on the areas having black matte coating because it can cause uneven discoloration, patches, blurs, etc. If these get wax on them, wipe the wax off right away with a soft cloth and warm water.**
- **On vehicles with sunroof, be careful not to apply any wax on the weatherstrip (black rubber) when waxing the area around the sunroof opening. If stained with wax, the weatherstrip cannot maintain a weatherproof seal with the sunroof.**

Vehicle care and maintenance

Polishing

N00946100046

If painted surfaces have been severely damaged and lost their original luster and color tone, polish the surface lightly with a fine polishing compound. Avoid limiting your polishing to the damaged surface only; polish a somewhat wider area, moving the polishing cloth in one direction. After polishing, flush the compound from the surface and apply a coat of wax to regain a beautiful luster.

Damaged paint

N00946200047

Small cracks and scratches in the paint coat should be touched up as soon as possible with touch-up paint to prevent corrosion. Check body areas facing the road or the tires carefully for damage to the paint caused by flying stones, etc. The paint code number for your vehicle can be found on the vehicle information code plate in the engine compartment.

Vehicle care and maintenance

Cleaning plastic parts

N00946300194

Use a sponge or chamois to clean these parts. If a vehicle wax sticks to a gray or black rough surface of the bumper, molding or lights, the surface may appear white in color. In this case, wipe it off using lukewarm water and a soft cloth or chamois.

⚠ CAUTION

- Do not use a scrubbing brush or other rough scrubber as these may damage the plastic surface.
 - Do not use wax containing compounds (polishing powder) which may damage the plastic surface.
 - Do not let plastic parts get soiled with gasoline, oil, brake fluids, engine oils, greases, paint thinner, and sulfuric acid (battery electrolyte), as such substances will cause stains, cracks, or discoloration.
- If any of these get on a plastic part, wipe them up with a soft cloth or chamois and a mild solution of soap and water. Then rinse them immediately with water.

Chrome parts

N00946400052

7

To prevent spots and corrosion of chrome parts, wash with water, dry thoroughly, and apply a nonabrasive automotive wax. If the chrome is severely damaged or pitted, use a commercially available chrome polish.

Aluminum wheels (if so equipped)

N00946500183

1. Remove dirt using a wet sponge.
2. Use a mild detergent on any dirt that cannot be removed easily with water.
Rinse off the detergent after washing the wheel.
3. Dry the wheel thoroughly using a chamois leather or a soft cloth.

⚠ CAUTION

- Do not use a brush or other hard implement on the wheels.
- Do not use any cleaner that contains an abrasive substance or is acidic or alkaline. Doing so could cause the coating on the wheels to peel or become discolored or stained.
- Do not directly apply hot water using a steam cleaner or by any other means.
- Contact with seawater or road salt used for de-icing can cause corrosion. Rinse off such substances as soon as possible.

Window glass

N00946600054

The window glass can usually be cleaned using only a sponge and water. Glass cleaner can be used to remove wax, oil, grease, dead insects, etc. After washing the glass, wipe it dry with a clean, dry, soft cloth.

Wiper blades

N00946700068

Use a soft cloth and glass cleaner to remove grease, dead insects, etc., from the wiper blades.

Replace the wiper blades when they no longer clean the windshield and rear window properly.

Cleaning the sunroof (if so equipped)

N00946800069

Clean the inside of the sunroof with a soft cloth. Hard deposits should be wiped away with a cloth dipped in warm, neutral detergent solution. Wipe away the solution with a sponge dipped in fresh water.

NOTE

- The surface treatment on the inside of the glass may be removed if a hard cloth or organic solvent is used.

Engine compartment

N00947000071

Never spray or splash water on the electrical accessories in the engine compartment. This puts the engine at risk of being damaged.

Do not bring the circumferential parts, the plastic parts and so on into contact with sulfuric acid (battery electrolyte) which may crack, stain or discolor them.

If they are in contact, wipe off with soft cloth, chamois or the like and an aqueous solution of neutral detergent then immediately rinse the affected parts with plenty of water.

Customer assistance/Reporting Safety Defects

Consumer information (For vehicles sold in U.S.A.)	8- 2
Reporting Safety Defects	8- 3
Important facts to know in case of an accident	8- 5

Customer assistance/Reporting Safety Defects

Consumer information (For vehicles sold in U.S.A.)

N01047100171

This information is provided in compliance with the requirements of the National Highway Traffic Safety Administration, Department of Transportation. It provides the purchasers and/or prospective purchasers with information on reporting safety defects.

Uniform tire quality grading

DOT quality grades - All passenger vehicle tires must conform to Federal Safety Requirements in addition to these grades. The specific grade rating in each grade category is shown on the side wall of the tires on your vehicle.

Treadwear

The treadwear grade is a comparative rating based on the wear rate of the tire when tested under controlled conditions on a specified government test course. For example, a tire graded 150 would wear one and one-half ($1\frac{1}{2}$) times as well on the government course as a tire graded 100. The relative performance of tires depends upon the actual conditions of their use, however, and may depart significantly from the norm due to variations in driving habits, service practices and differences in road characteristics and climate.

Traction AA, A, B, C

The traction grades, from highest to lowest, are AA, A, B and C. Those grades represent the tire's ability to stop on wet pavement as measured under controlled conditions on specified government test surfaces of asphalt and concrete. A tire marked C may have poor traction performance.

⚠ WARNING

- The traction grade assigned to this tire is based on straight-ahead braking traction tests, and does not include acceleration, cornering, hydroplaning, or peak traction characteristics.

Temperature A, B, C

The temperature grades are A (the highest), B and C, representing the tire's resistance to the generation of heat and its ability to dissipate heat when tested under controlled conditions on a specified indoor laboratory test wheel. Sustained high temperature can cause the material of the tire to degenerate and reduce tire life, and excessive temperature can lead to sudden tire failure. The grade C corresponds to a level of performance which all passenger car tires must meet under the Federal Motor Vehicle Safety Standard No. 109. Grades B and A represent higher levels of performance on the laboratory test wheel than the minimum required by law.

⚠ WARNING

- The temperature grade for this tire is established for a tire that is properly inflated and not overloaded. Excessive speed, underinflation, or excessive loading, either separately or in combination, can cause heat buildup and possible tire failure.

Reporting Safety Defects

N01047200433

If you believe that your vehicle has a defect which could cause a crash or could cause injury or death, you should immediately inform the National Highway Traffic Safety Administration (NHTSA) in addition to notifying Mitsubishi Motors Corporation.

If NHTSA receives similar complaints, it may open an investigation, and if it finds that a safety defect exists in a group of vehicles, it may order a recall and remedy campaign. However, NHTSA cannot become involved in individual problems between you, your dealer, or Mitsubishi Motors Corporation.

To contact NHTSA, you may call the Vehicle Safety Hotline toll-free at 1-888-327-4236 (TTY: 1-800-424-9153); go to <http://www.safercar.gov>; or write to:

**NHTSA Headquarters
1200 New Jersey Avenue, SE
West Building
Washington, DC 20590**

You can also obtain other information about motor vehicle safety from <http://www.safercar.gov>.

Customer assistance/Reporting Safety Defects

For vehicles sold in U.S.A.

To contact Mitsubishi Motors North America, Inc. call 1-888-648-7820 or write to:

**Mitsubishi Motors North America, Inc.
Customer Relations Department
P.O. Box 6400
Cypress, CA 90630-0064**

For vehicles sold in Canada

If you live in Canada, and you believe that your vehicle has a safety defect, you should immediately notify Transport Canada, in addition to notifying Mitsubishi Motor Sales of Canada, Inc. You may write to:

**Transport Canada
330 Sparks Street
Tower C
Ottawa, Ontario K1A 0N5**

To contact Mitsubishi Motor Sales of Canada, Inc. call 1-888-576-4878 or write to:

**Mitsubishi Motor Sales of Canada, Inc.
Customer Relations Department
P.O. Box 41009
4141 Dixie Road
Mississauga, ON L4W 5C9**

Customer assistance/Reporting Safety Defects

For vehicles sold in Puerto Rico

To contact Mitsubishi Motor Sales of Caribbean, Inc.
call 1-787-251-8715 or write to:

Mitsubishi Motor Sales of Caribbean, Inc.
Customer Service Department
P.O. Box 192216
SAN JUAN PR 00919-2216

For vehicles sold in Guam

To contact Triple J Enterprises Inc.
call (671)649-3673 or write to:

Triple J Enterprises, Inc.
P.O. Box 6066
TAMUNING
GUAM 96931

For vehicles sold in Saipan

To contact Triple J Motors
call (670)234-7133 or write to:

Triple J Motors
P.O. Box 500487
SAIPAN, MP96950-0487

For vehicles sold in American Samoa

To contact Pacific Marketing Inc.
call 684(699)9140 or write to:

Pacific Marketing, Inc.
P.O. Box 698
PAGO PAGO,
AMERICAN SAMOA AS, 96799

Important facts to know in case of an accident

N0104730098

We hope you will never be involved in an accident, but there is always that potential danger. So, please be sure to buckle up and drive safely.

In the event of an accident

- Remain calm.
- Check for injuries. Report all injuries to the police, and, if necessary, call for an ambulance.
- Record all the details of the accident. This will provide you with accurate records of the accident for discussions with your insurance company and other persons who may be acting on your behalf.

Key information to discuss with your insurance company

- Understand your repair estimate before approving repairs.
- Choosing the repair shop and the brands of parts that they use on your vehicle is your decision.
- Ask for genuine Mitsubishi Motors parts. Many times, to save money, your insurance company will recommend imitation parts that do not meet the original specifications of fit, finish, corrosion resistance or workmanship.

Mitsubishi Motors built-in protection

The strength and integrity built into your Mitsubishi vehicle is the result of a specific design referred to as "Energy Management". Individual body parts are designed to act as one unit in the event of an accident. Shock waves are absorbed by protective panels or are channeled around the passenger compart-

Customer assistance/Reporting Safety Defects

ment. This important feature is possible because high tensile steel is used in Mitsubishi panels and structural parts, something that cannot be guaranteed by the manufacturers of imitation parts. All Genuine Mitsubishi body panels and support brackets are designed and constructed as important protection features in the event of an accident. By replacing body parts with imitations, your vehicle may no longer meet original equipment specifications.

Consumer rights (For vehicles sold in U.S.A.)

As a consumer requesting repair on your vehicle, you have consumer rights. Across the country, State Insurance Commissioners have begun considering rules on the use of non-OEM parts. This could mean that repair shops will have to disclose to the consumer, when they intend to use non-OEM parts. Since regulations are not consistent on this point, remember you have a choice. So, if you want genuine Mitsubishi Motors parts, you may have to specifically request them. Make certain your insurance company understands imitations are not to be used in the repair of your vehicle. You deserve the best genuine Mitsubishi Motors parts.

Genuine Mitsubishi Motors parts

Genuine Mitsubishi Motors parts are built with the high quality and durability standards you expect. Genuine Mitsubishi Motors replacements parts are your guarantee that your vehicle will have all the technological advantages and maintain the style and protection of a brand new Mitsubishi Motors. Remember to ask for genuine Mitsubishi Motors parts.

Specifications

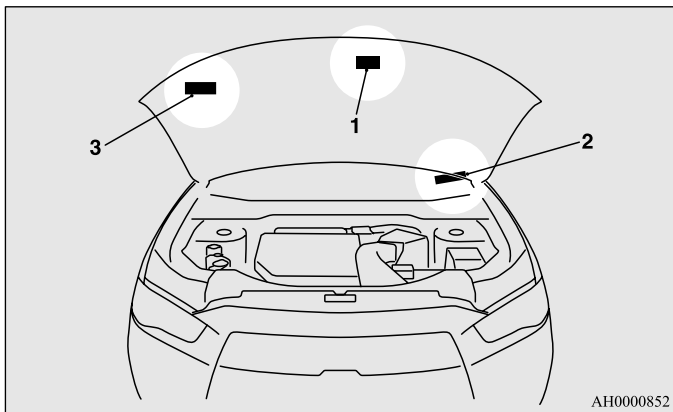
Vehicle labeling	9-	2
Vehicle dimensions	9-	6
Vehicle weights	9-	7
Engine specifications	9-	9
Battery	9-	10
Tires and wheels	9-	10
Capacity	9-	11

Specifications

Vehicle labeling

N01147400726

Keep a record of the chassis number and vehicle identification number. Such information will assist police if your vehicle is stolen.



1 - Vehicle emission control information label

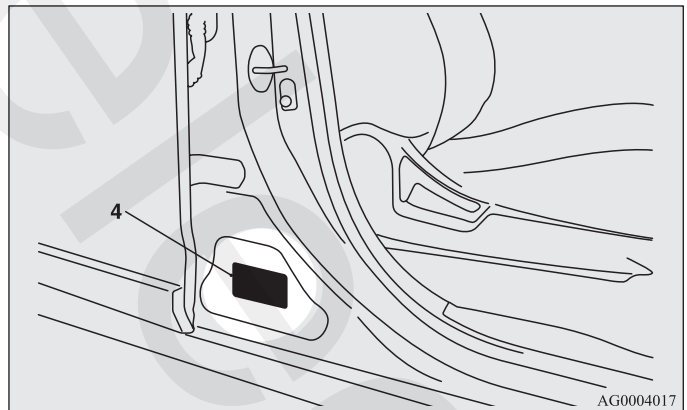
The vehicle emission control information label is affixed on the underside of the engine hood.

2 - Vehicle identification number plate

The vehicle identification number is stamped on the plate riveted to the left front corner of the dashboard (Except vehicles for Canada) or vehicle body (Vehicles for Canada). It is visible from outside of the vehicle through the windshield.

3 - Air conditioning label

The air conditioning label is affixed on the inside panel of the engine hood.



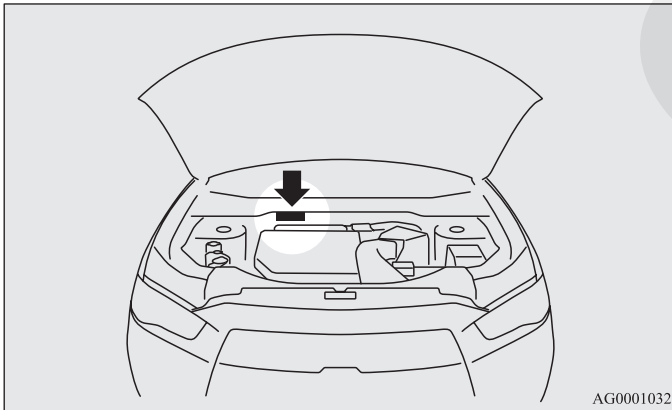
4 - Vehicle information code plate

The vehicle information code plate is located on the front passenger door sill.

Specifications

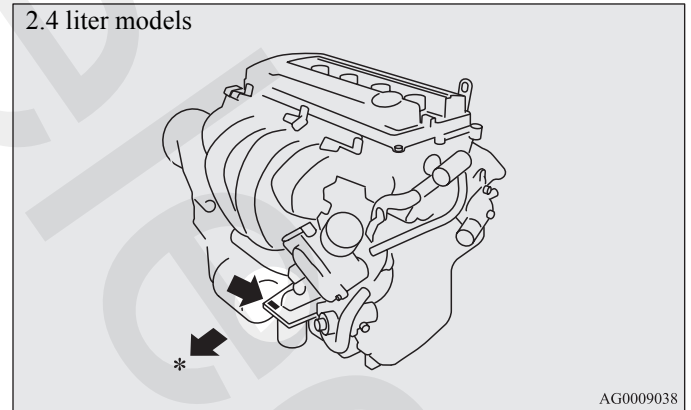
Chassis number

The chassis number is stamped on the bulkhead as shown in the illustration.



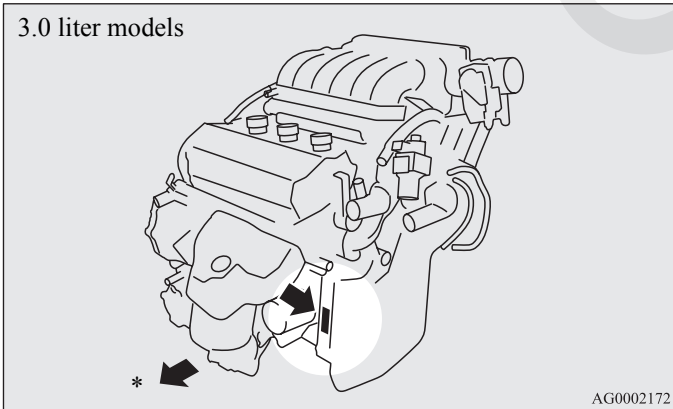
Engine serial number

The engine serial number is stamped on the cylinder block as shown in the illustrations.



Specifications

3.0 liter models



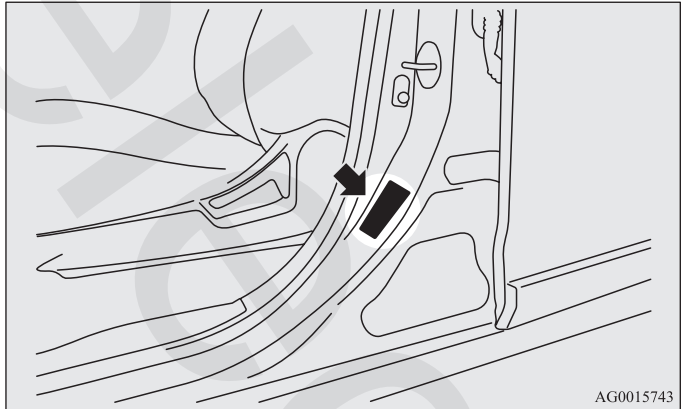
AG0002172

*- Front of the vehicle

Tire and loading information placard

N01148100544

The tire and loading information placard is located on the driver's door sill.




AG0015743

Specifications

Type 1

EXAMPLE



TIRE AND LOADING INFORMATION

SEATING CAPACITY TOTAL FRONT REAR

The combined weight of occupants and cargo should never exceed kg or lbs.

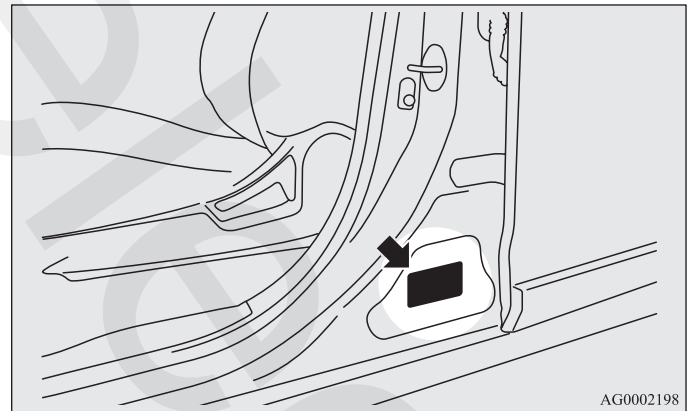
TIRE	SIZE	COLD TIRE PRESSURE	
FRONT	<input type="text"/>	<input type="checkbox"/> kPa, <input type="checkbox"/> PSI	SEE OWNER'S MANUAL FOR ADDITIONAL INFORMATION
REAR	<input type="text"/>	<input type="checkbox"/> kPa, <input type="checkbox"/> PSI	
SPARE	<input type="text"/>	<input type="checkbox"/> kPa, <input type="checkbox"/> PSI	

PART NO.

AG0018513


Certification label

The certification label is located on the driver's door sill. N01148200167



Type 2

EXAMPLE



TIRE AND LOADING INFORMATION
RENSEIGNEMENTS SUR LES PNEUS ET LE CHARGEMENT

SEATING CAPACITY TOTAL FRONT REAR
NOMBRE DE PLACES TOTAL AVANT ARRIERE

The combined weight of occupants and cargo should never exceed kg or lbs.
Le poids total des occupants et du chargement ne doit jamais dépasser kg ou lbs.

TIRE PNEU	SIZE DIMENSIONS	COLD TIRE PRESSURE PRESSION DES PNEUS A FROID	
FRONT AVANT	<input type="text"/>	<input type="checkbox"/> kPa, <input type="checkbox"/> psi	SEE OWNER'S MANUAL FOR ADDITIONAL INFORMATION VOIR LE MANUEL DE L'USAGER POUR PLUS DE RENSEIGNEMENTS
REAR ARRIERE	<input type="text"/>	<input type="checkbox"/> kPa, <input type="checkbox"/> psi	
SPARE DE SECOURS	<input type="text"/>	<input type="checkbox"/> kPa, <input type="checkbox"/> psi	

PART NO.

AF0015489

Specifications

Vehicle dimensions

N01147500525

Overall length		183.7 in (4,665 mm)
Overall width		70.9 in (1,800 mm)
Overall height	Without roof rails	66.1 in (1,680 mm)
	With roof rails	67.7 in (1,720 mm)
Wheel base		105.1 in (2,670 mm)

Specifications

Vehicle weights

N01147600904

Item	2.4 liter models			
	Front-wheel drive vehicles		All-wheel drive vehicles	
Gross vehicle weight rating	4,564 lb (2,070 kg)	4,939 lb (2,240 kg)	4,586 lb (2,080 kg)	5,049 lb (2,290 kg)
Gross axle weight rating	Front	2,403 lb (1,090 kg)		
	Rear	2,315 lb (1,050 kg)	2,800 lb (1,270 kg)	2,315 lb (1,050 kg)
Total trailer weight	With brake	1,500 lb (680 kg)		
	Without brake	1,250 lb (567 kg)		
Vehicle capacity weight	827 lb (375 kg)	1,157 lb (525 kg)	827 lb (375 kg)	1,157 lb (525 kg)
Maximum roof load	110 lb (50 kg)			
Seating capacity	5 persons	7 persons	5 persons	7 persons

NOTE

- Roof load is important because it affects the vehicle capacity weight. Refer to “Loading cargo on the roof” on page 4-15.

GVWR: maximum total weight (load) limit specified for the vehicle

GAWR: maximum weight (load) limit specified for the front or rear axle

Seating capacity: the maximum number of occupants

Specifications

Item	3.0 liter models	
	Front-wheel drive vehicles	All-wheel drive vehicles
Gross vehicle weight rating	5,071 lb (2,300 kg)	5,181 lb (2,350 kg)
Gross axle weight rating	Front	2,403 lb (1,090 kg)
	Rear	2,800 lb (1,270 kg)
Total trailer weight	With brake	3,500 lb (1,588 kg)
	Without brake	1,400 lb (635 kg)
Vehicle capacity weight	1,157 lb (525 kg)	
Maximum roof load	110 lb (50 kg)	
Seating capacity	7 persons	

NOTE

- Roof load is important because it affects the vehicle capacity weight. Refer to “Loading cargo on the roof” on page 4-15.

GVWR: maximum total weight (load) limit specified for the vehicle

GAWR: maximum weight (load) limit specified for the front or rear axle

Seating capacity: the maximum number of occupants

Specifications

Engine specifications

N01147700455

Item	2.4 liter	3.0 liter
Engine model	4B12	6B31
Engine displacement	144.0 CID (2,360 cm ³)	182.9 CID (2,998 cm ³)
No. of cylinders and cylinder arrangement	4 in line	6-V60°
Bore	3.46 in (88.0 mm)	3.45 in (87.6 mm)
Stroke	3.82 in (97.0 mm)	3.26 in (82.9 mm)
Compression ratio	10.5	
Thermostat valve opening temperature	188.6 °F (87.0 °C)	179.6 °F (82.0 °C)
Spark plugs	NGK	DIFR5C11
	DENSO	—
Spark plug gap	.040 to .043 in (1.0 to 1.1 mm)	.028 to .031 in (0.7 to 0.8 mm)
Firing order	1-3-4-2	1-2-3-4-5-6

Specifications

Battery

N01147800254

75D23L

Battery is a 12 volt type.

Tires and wheels

N01147900662

Tire		P215/70R16 99H	P225/55R18 97H
Wheel	Size	16 x 6 1/2JJ	18 x 7J
	PCD	4.5 in (114.3 mm)	
	Offset	1.5 in (38 mm)	

PCD: Pitch Circle Diameter (installation holes)

NOTE

- Contact an authorized Mitsubishi Motors dealer for details on the combination used on your vehicle.
- These tires satisfy vehicle loading conditions described in this owner's manual.

Specifications

Capacity

N01148001045

Item		Capacity	Lubricants	
Fuel (approximate)	Front-wheel drive vehicles	16.6 gal (63 L)	Refer to "Fuel selection" on page 1-2	
	All-wheel drive vehicles	15.8 gal (60 L)		
Engine oil	2.4 liter	Oil pan	Engine oils displaying the ILSAC certification mark ("starburst" symbol) on the container. If these oils are not available, and API classification SN can be used.	
		Oil filter		.32 qt (0.3 L)
	3.0 liter	Oil pan		4.2 qt (4.0 L)
		Oil filter		.32 qt (0.3 L)
Power steering		As required	Mitsubishi Motors Genuine Power Steering Fluid	
Automatic transaxle		8.7 qt (8.2 L)	Mitsubishi Motors Genuine ATF - J3	
Continuously variable transmission (CVT)		7.5 qt (7.1 L)	Mitsubishi Motors Genuine CVTF - J4	
Transfer oil		.50 qt (0.47 L)	Mitsubishi Motors Genuine Super Hypoid Gear Oil API classification GL-5 SAE 80	
Differential	Rear axle	.42 qt (0.4 L)	Mitsubishi Motors Genuine Super Hypoid Gear Oil API classification GL-5 SAE 80	
Brake		As required	Conforming to Brake fluid DOT3 or DOT4	
Hood lock release mechanism and safety catch		As required	Multipurpose type grease NLGI Grade 2	
Engine coolant {Includes .69 qt (0.65 L) in reserve tank}	Automatic transaxle	10.0 qt (9.5 L)	Mitsubishi Motors Genuine Super Long Life Coolant Premium or equivalent*	
	CVT	7.9 qt (7.5 L)		
Washer fluid		4.8 qt (4.5 L)	—	

Specifications

Item	Capacity	Lubricants
Refrigerant (air conditioning)	Refer to the "Air conditioning label" on page 9-2.	HFC-134a

*: similar high quality ethylene glycol based non-silicate, non-amine, non-nitrate and non-borate coolant with long life hybrid organic acid technology

Alphabetical index

A

Accessory (installation) 1-7
Active stability control (ASC) 3-138
Air bag 2-61
Air cleaner filter 7-14
Air conditioning
 Automatic air conditioning 5-25, 5-35
 Important air conditioning operating tips 5-45
 Manual air conditioning 5-6, 5-16
Air purifier 5-46
All-wheel drive operation 3-123
Aluminum wheels 7-84
Antenna
 Roof antenna 5-134, 5-135
Anti-lock braking system 3-134
Arm rest 2-15
Assist grip 3-290
Audio
 AM/FM electronically tuned radio with CD player 5-46
 AM/FM electronically tuned radio with 6 CD autochanger 5-66
 Error codes 5-123, 5-125
 External audio input function 5-118
 Handling of compact discs 5-131
 Steering wheel audio remote control switch 5-120
 To listen to a disc in the rear-seat display 5-119
Automatic air conditioning 5-25, 5-35

Automatic transaxle 3-95
 Fluid 7-16, 9-11
 Selector lever operation 3-95
 Selector lever positions 3-100
 Sports mode 3-101

B

Back-up light
 Bulb capacity 7-49
 Replacement 7-67
Ball joint, steering linkage seals, drive shaft boots 7-37
Battery 7-21
 Charging system warning light 3-213
 Checking battery electrolyte level 7-22
 Disconnection and connection 7-22
 During cold weather 7-22
 Specification 9-10
Bluetooth 2.0 interface 3-239
Bottle holders 3-286
Brake
 Fluid 9-11
Brake assist 3-133

Alphabetical index

Braking

- Anti-lock braking system 3-134
- Braking 4-8
- Hose 7-37
- Pad wear alarm 3-130
- Parking brake 3-81
- Pedal 3-129
- Pedal free play 7-33
- Power brakes 3-130
- Service brake 3-129
- Warning lights 3-211

Break-in recommendations 3-2

Bulb capacity 7-49

C

- California Perchlorate Materials Requirements 1-9
- Capacities 9-11
- Card holder 3-271
- Cargo area cover 3-288
- Cargo loads 4-14
- Cargo room light
 - Bulb capacity 7-51
 - Replacement 7-75
- Catalytic converter 7-3
- Cautions on the handling of all-wheel drive vehicles 3-127
- Certification label 9-5
- Charging system warning light 3-213
- Child restraint systems 2-50
- Child safety locks for rear door 3-60

Cleaning

- Inside of your vehicle 7-79
- Outside of your vehicle 7-81
- Clock 5-136
- Coat hook 3-291
- Consumer information 8-2
- Continuously variable transmission (CVT) 3-105
 - Fluid 7-18, 9-11
 - Selector lever operation 3-105
 - Selector lever positions 3-110
 - Sports mode 3-111
- Coolant (engine) 7-12, 9-11
- Cruise control 3-143
- Cup holder 3-284

D

- Daytime running lights
 - Bulb capacity 7-49
 - Replacement 7-56
- Defogger (rear window) 3-237
- Defrosting or defogging (windshield, door windows) 5-14, 5-23, 5-33, 5-43
- Dimensions 9-6
- Dimmer (high/low beam change) 3-221
- Disc brake pads 7-37
- Dome light
 - Bulb capacity 7-51
 - Replacement 7-73, 7-75

Alphabetical index

Doors

- Lock 3-54
- Power door locks 3-58
- Driving during cold weather 4-7
- Driving precaution 4-2
- Driving, alcohol and drugs 4-3

E

- Electric rear window defogger switch 3-237
- Electronic immobilizer (Anti-theft starting system) 3-5, 3-43
- Electronically controlled 4WD system 3-115
- Emission-control system maintenance 7-35
- Engine
 - Compartment 7-7
 - Coolant 7-12, 9-11
 - Hood 7-4
 - MIVEC 3-34, 3-42, 3-94
 - Oil and oil filter 7-8, 9-11
 - Overheating 6-5
 - Serial number 9-2
 - Specification 9-9
- Engine coolant temperature display 3-175
- Engine hood 7-4
- Exhaust system 7-38

F

- Floor console box 3-281
- Floor mat 4-3
- Fluid
 - Automatic transaxle fluid 7-16, 9-11
 - Brake fluid 9-11
 - Continuously variable transmission (CVT) fluid 7-18, 9-11
 - Engine coolant 7-12, 9-11
 - Engine oil 7-8
 - Power steering fluid 7-21, 9-11
 - Rear axle oil 7-19
 - Transfer oil 7-18
 - Washer fluid 7-19, 9-11
- Fluid capacities and lubricants 9-11
- Free-hand advanced security transmitter (F.A.S.T.-key) 3-16
- Front fog lights
 - Bulb capacity 7-49
 - Indicators 3-211
 - Replacement 7-62
 - Switch 3-227
- Front seat adjustment 2-5
- Front side-marker lights
 - Bulb capacity 7-49
 - Replacement 7-58
- Front turn-signal light
 - Bulb capacity 7-49
 - Replacement 7-60

Alphabetical index

- Fuel
Filling the fuel tank 1-4
Fuel economy 4-2
Fuel hoses 7-35
Fuel selection 1-2
Tank capacity 9-11
Fuses 7-40
Fusible links 7-39
-
- G**
-
- General maintenance
Maintenance 7-37
General vehicle data 9-6
Genuine parts 1-8
Glove compartment 3-278
-
- H**
-
- Hazard warning flasher switch 3-226
Hazard warning lights 3-211
Head restraints 2-26
Headlight leveling switch 3-224
Headlights
Bulb capacity 7-49
Dimmer 3-221
Headlight flasher 3-222
Replacement 7-52, 7-54
Switch 3-217
High beam indicator 3-211
- High mount stop light
Bulb capacity 7-49
Hill start assist 3-131
Hood lock release mechanism and safety catch 7-38
Horn switch 3-238
-
- I**
-
- If the vehicle breaks down 6-2
Ignition switch 3-25, 3-89
Important facts to know in case of an accident 8-5
Indicators 3-211
Information screen display 3-166, 3-199
Inside rearview mirror 3-83
Inspection and maintenance following rough road operation 3-127
Instrument cluster 3-163
Interior lights 3-273
-
- J**
-
- Jack 6-7
Storage 6-7
Jump-starting the engine 6-2
-
- K**
-
- Keyless entry system 3-9, 3-46
Keys 3-2

Alphabetical index

L

Labeling 9-2
License plate light
 Bulb capacity 7-49
 Replacement 7-71
Link System 3-238
Loading information 4-9
Lower glove compartment light
 Bulb capacity 7-51
Lubricants 9-11
Luggage floor box 3-284
Luggage hooks 3-291

M

Malfunction indicator light 3-212
Manual air conditioning 5-6, 5-16
MIVEC engine 3-34, 3-42, 3-94
Modification of your vehicle 1-6
Multi-information display 3-166

O

Octane rating 1-2
Oil
 Engine oil 9-11
 Rear axle oil 9-11
 Transfer oil 9-11
Operation under adverse driving conditions 6-27
Outside rearview mirrors 3-87

Overheating 6-5

P

Parking 4-8
 Parking brake 3-81
Parking lights
 Bulb capacity 7-49
 Replacement 7-58
Personal compartment 3-280
Polishing 7-83
Power brakes 3-130
Power outlet 3-271
Power steering
 Fluid 7-21, 9-11
 System 3-138
Power windows 3-72
Puncture (Tire changing) 6-10

R

Radiator cap 7-13
Radio
 AM/FM electronically tuned radio with CD player 5-46
 AM/FM electronically tuned radio with 6 CD autochanger 5-66
 General information about your radio 5-137
Reading lights
 Bulb capacity 7-51
 Replacement 7-73
Rear axle oil 7-19, 9-11

Alphabetical index

Rear combination lights

Bulb capacity 7-49

Replacement 7-65

Rear side-marker lights

Bulb capacity 7-49

Replacement 7-69

Rear turn-signal light

Bulb capacity 7-49

Replacement 7-65

Rear-view camera 3-158

Rearview mirror

Inside rearview mirror 3-83

Outside rearview mirrors 3-87

Replacement of light bulbs 7-48

Replacing tires and wheels 7-29

Reporting Safety Defects 8-3

Roof antenna 5-134, 5-135

S

Safe driving techniques 4-6

S-AWC (Super-All Wheel Control) 3-118

Seat belt 2-39

Adjustable seat belt shoulder anchor 2-45

Child restraint systems 2-50

Front passenger seat belt warning light 2-44

Maintenance and inspection 2-61

Seat belt extender 2-47

Seat belt force limiter 2-50

Seat belt pre-tensioners 2-48

Seat belt use during pregnancy 2-48

Seat belts

Seat belt extender 2-47

Seats 2-2

Arm rest 2-15

Front seats 2-5

Head restraints 2-26

Heated seat 2-11

Making a cargo area 2-29

Making a flat seat 2-35

Seat arrangement 2-3

Seats and restraint systems 2-5

Second row seats 2-13

Third row seat 2-16

Service brake 3-129

Service precautions 7-2

Side turn-signal light

Bulb capacity 7-49

Snow tires 7-32

Spark plugs 7-35

Alphabetical index

Steering

- Power steering fluid 7-21, 9-11
- Tilt lock lever 3-82
- Wheel lock 3-32, 3-91

Stop lights

- Bulb capacity 7-49
- Replacement 7-65

Storage spaces 3-277

Sun visors 3-270

Sunroof 3-77

Super-all wheel control (S-AWC)

- S-AWC control mode display 3-120
- S-AWC control mode switch 3-119
- S-AWC operation display 3-121
- S-AWC warning display 3-122

Supplemental Restraint System 2-61

- How the Supplemental Restraint System works 2-65
- Maintenance service 2-85

T

Tail light

- Bulb capacity 7-49
- Replacement 7-65

Tailgate 3-61

- Inside tailgate release 3-65

Tank capacity 9-11

Theft-alarm system 3-66

Timing belt 7-38

Tire 7-24

- Inflation pressure 7-27
- Maintenance 7-29
- Quality grading 8-2
- Replacing tires and wheels 7-29
- Rotation 7-30
- Size (tire and wheel) 9-10
- Snow tires 7-32
- To change a tire 6-10
- Tread wear indicator 7-30

Tire pressure monitoring system 3-151

Tires

- Tire and loading information placard 9-4
- Tire chains 7-32

Tools 6-7

- Storage 6-7

Towing 6-25

Trailer towing 4-18

Transfer oil 7-18, 9-11

Turn signal light

- Indicators 3-211
- Lever 3-225

U

USB input terminal 3-264

- How to connect an iPod 3-267

USB input terminal device

- How to connect a USB memory 3-265

Alphabetical index

V

Vanity mirror 3-270
Vanity mirror lights
 Bulb capacity 7-51
 Replacement 7-77
Vehicle care precautions 7-78
Vehicle dimensions 9-6
Vehicle labeling 9-2
Vehicle preparation before driving 4-5
Vehicle weights 9-7
Vents 5-2

W

Warning lights 3-211
Washer
 Fluid 7-19, 9-11
 Rear window washer 3-235
 Switch 3-234
Washing 7-81
Waxing 7-82
Weights 9-7
Wheel
 Covers 6-23
 Specification 9-10
Wiper
 Rear window wiper 3-235
 Switch 3-228
 Wiper blades 7-34

NOTE

Name of Owner	Date of Purchase
Address of Owner	Model of Vehicle
Name and Address of Dealer	Vehicle Identification Number

Maintenance record

Service Performed	Date	Kilometers Miles	Inspection and Maintenance Item